



US00D577082S

(12) **United States Design Patent**
Hetman

(10) **Patent No.:** **US D577,082 S**

(45) **Date of Patent:** **** Sep. 16, 2008**

(54) **TOY VEHICLE**

(75) Inventor: **Michael G. Hetman**, New Smyrna Beach, FL (US)

(73) Assignee: **Top Notch Toys Limited**, Kowloon (HK)

(**) Term: **14 Years**

(21) Appl. No.: **29/253,042**

(22) Filed: **Jan. 31, 2006**

(51) **LOC (8) Cl.** **21-01**

(52) **U.S. Cl.** **D21/533**

(58) **Field of Classification Search** D21/443,
D21/444, 533, 542, 548-550, 560, 562; D12/5;
180/116-122; 114/67 R, 67 A; 446/176,
446/178, 179, 153-155; 550/12.5, 12.62,
550/12.65-12.7

See application file for complete search history.

(56) **References Cited**

U.S. PATENT DOCUMENTS

4,964,835	A *	10/1990	Suto	446/154
5,057,050	A *	10/1991	Hill	446/176
D344,694	S *	3/1994	Stiegler	D12/5
D347,452	S *	5/1994	Timperman et al.	D21/444
5,522,470	A *	6/1996	Stiegler et al.	180/117
D496,606	S *	9/2004	Sanders, Jr.	D12/5

* cited by examiner

Primary Examiner—Holly H. Baynham

Assistant Examiner—Cynthia M Chin

(74) *Attorney, Agent, or Firm*—Keusey, Tutunjian & Bitetto, P.C.

(57) **CLAIM**

The ornamental design for a toy vehicle, as shown and described.

DESCRIPTION

FIG. 1 is an elevated perspective view the front and left side of a toy vehicle according to my new design. The article shown in broken lines form no part of the claimed design;

FIG. 2 is an elevated perspective view of the front and right side thereof;

FIG. 3 is an elevated perspective view of the rear and left side thereof;

FIG. 4 is an elevated perspective view of the front thereof;

FIG. 5 is a perspective view of the left side thereof, the right side being a mirror image;

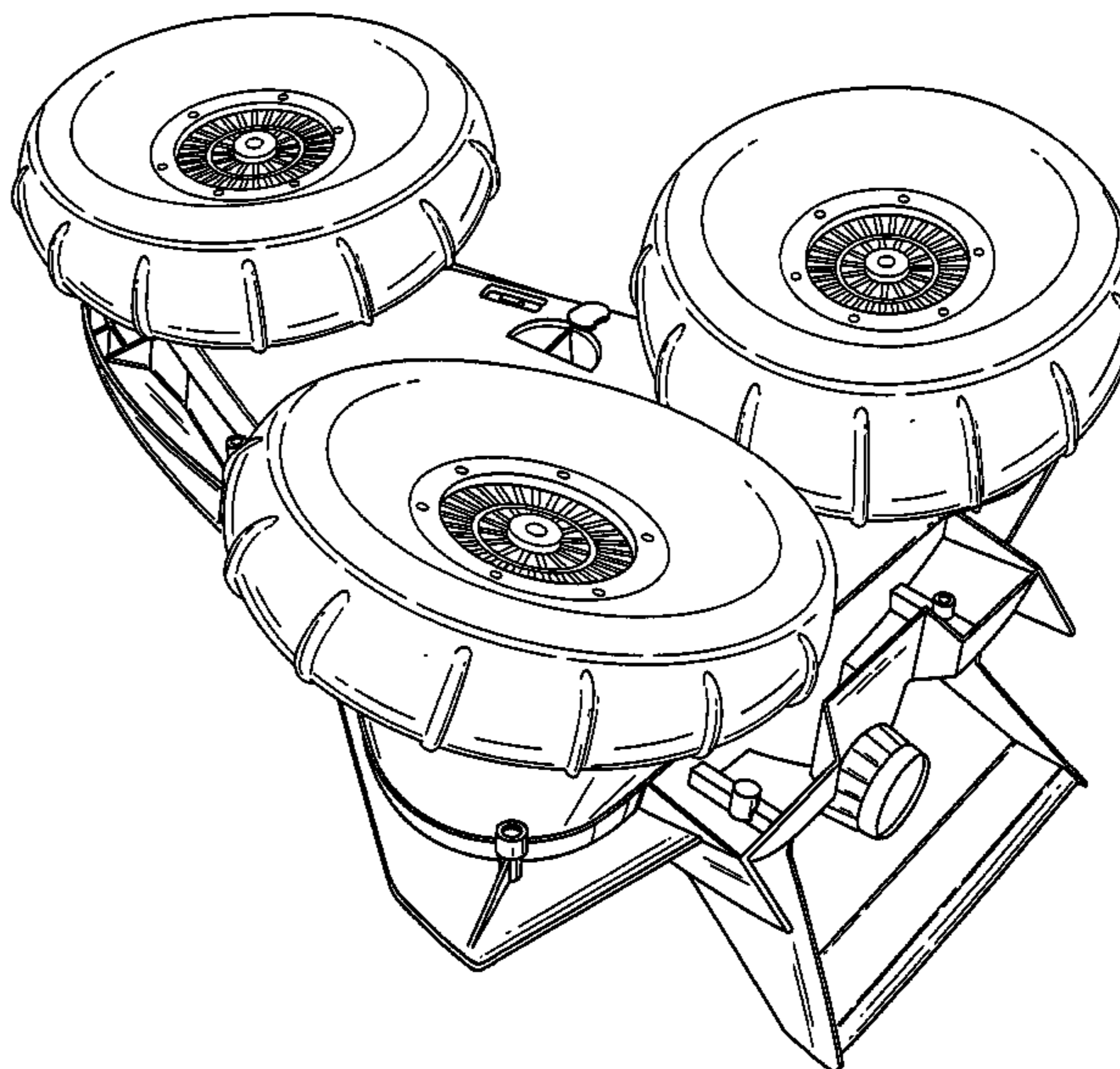
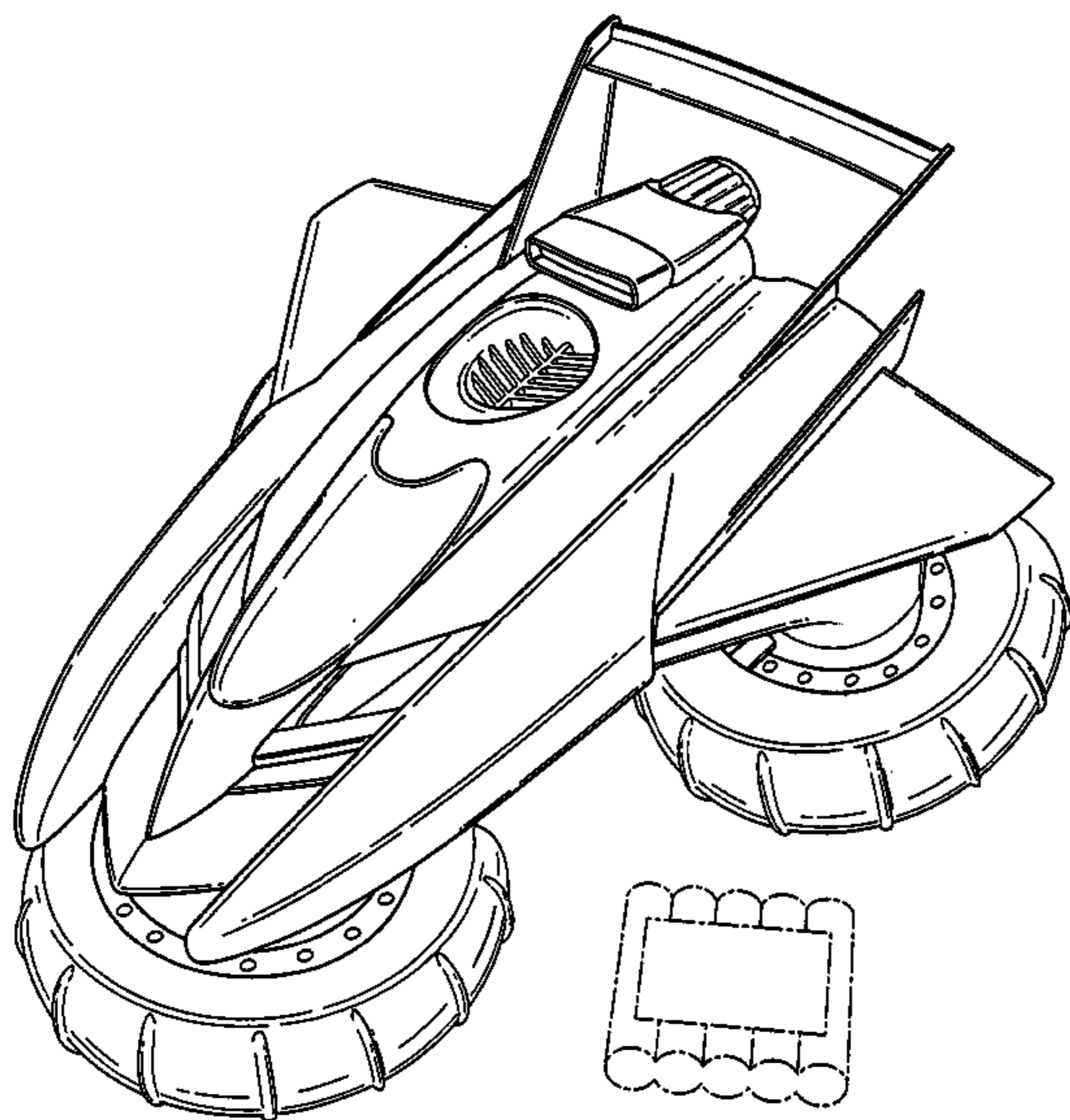
FIG. 6 is a perspective view of the rear thereof;

FIG. 7 is a bottom perspective view of the rear and right side thereof;

FIG. 8 is a bottom perspective view of the left side thereof; and,

FIG. 9 is a perspective view of the bottom thereof.

1 Claim, 9 Drawing Sheets



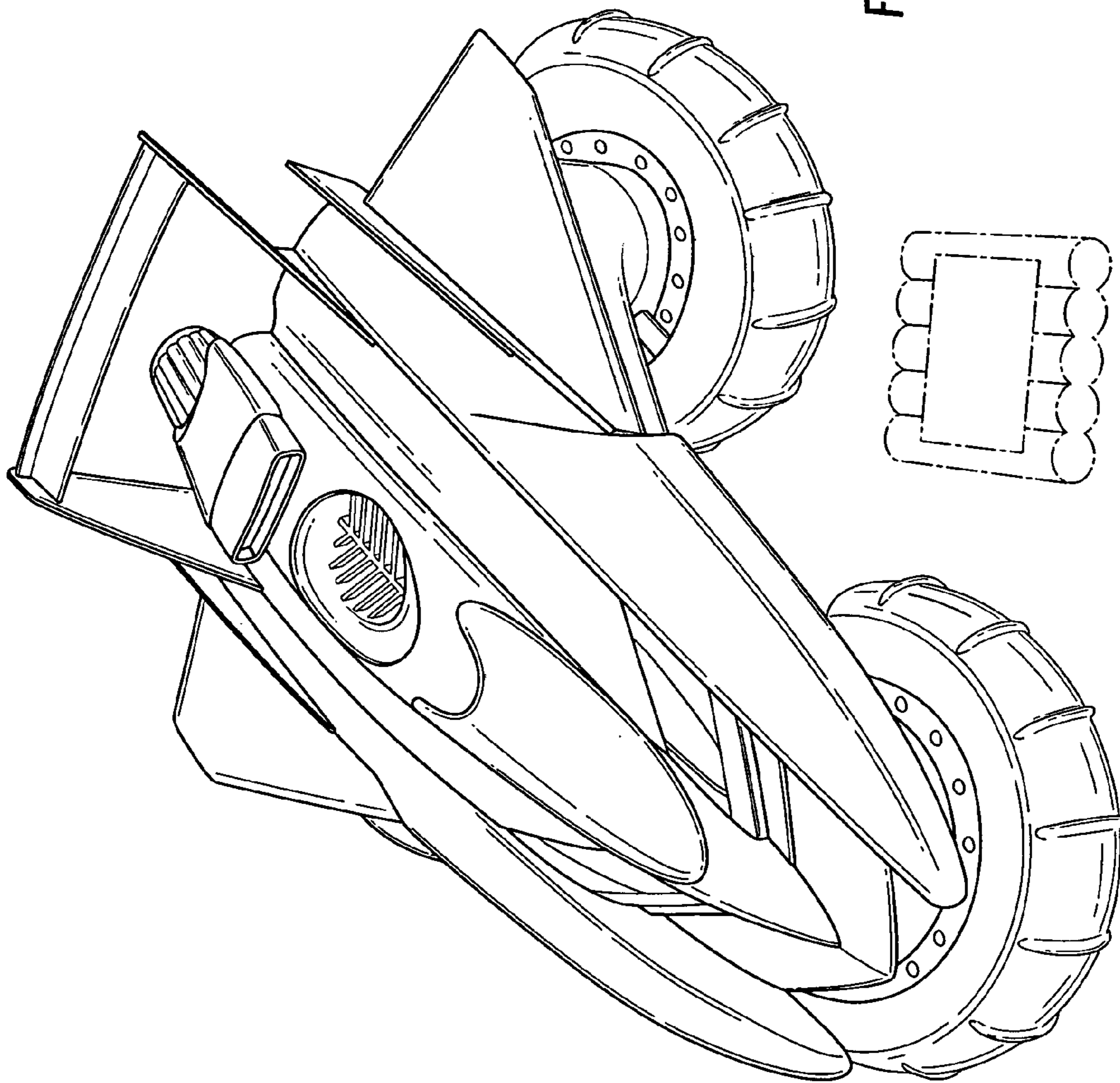


FIG. 1

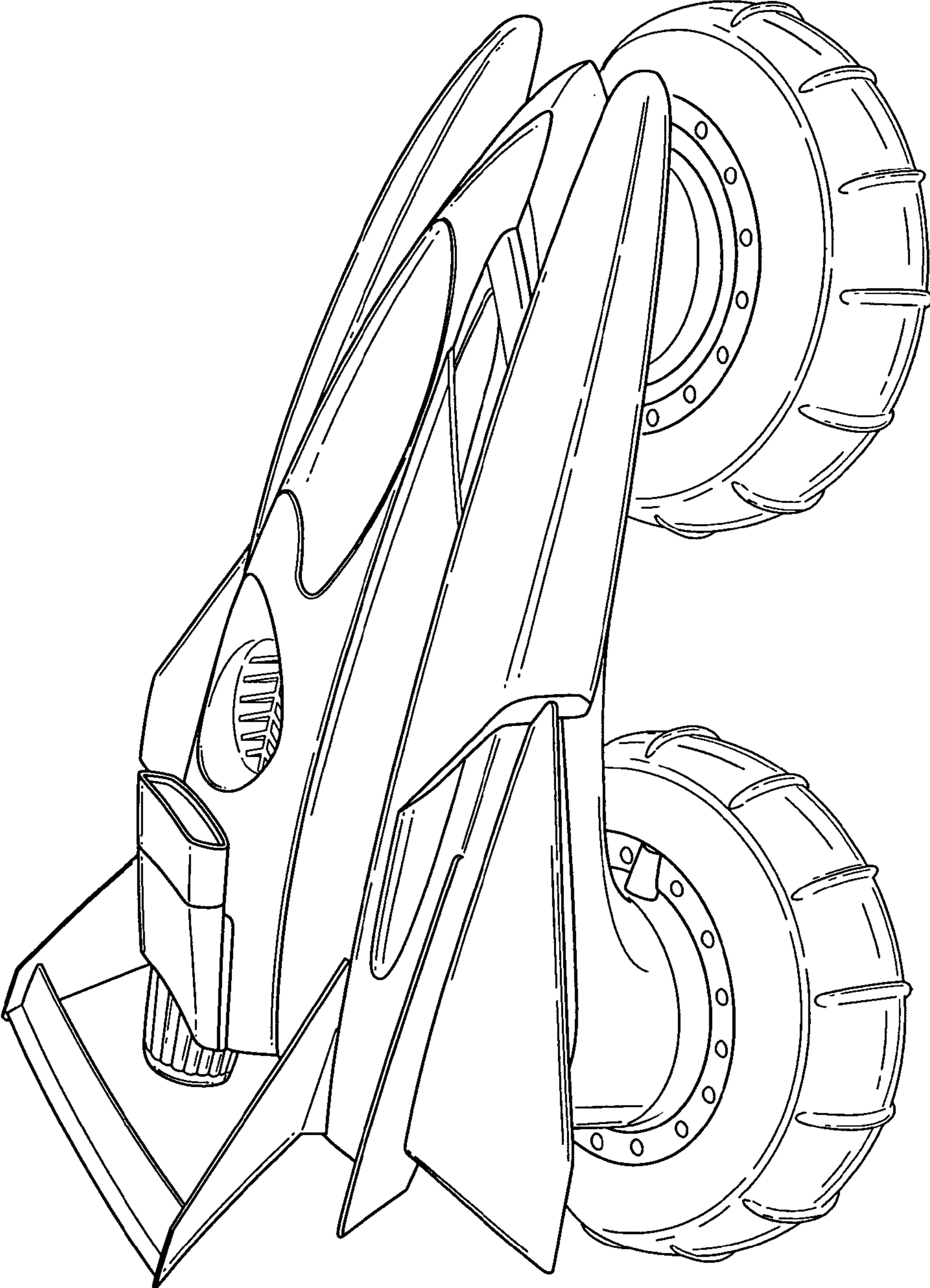


FIG. 2

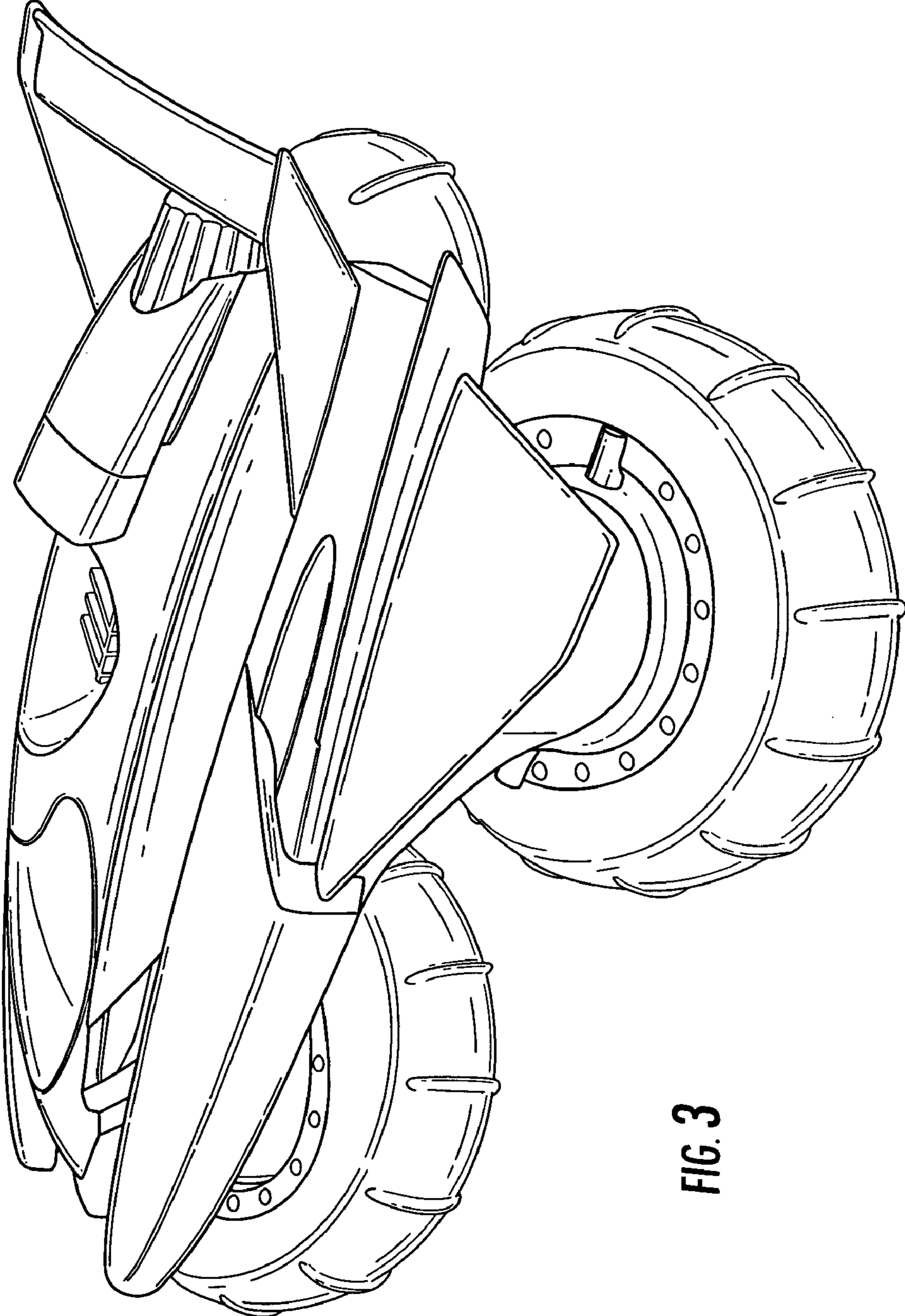


FIG. 3

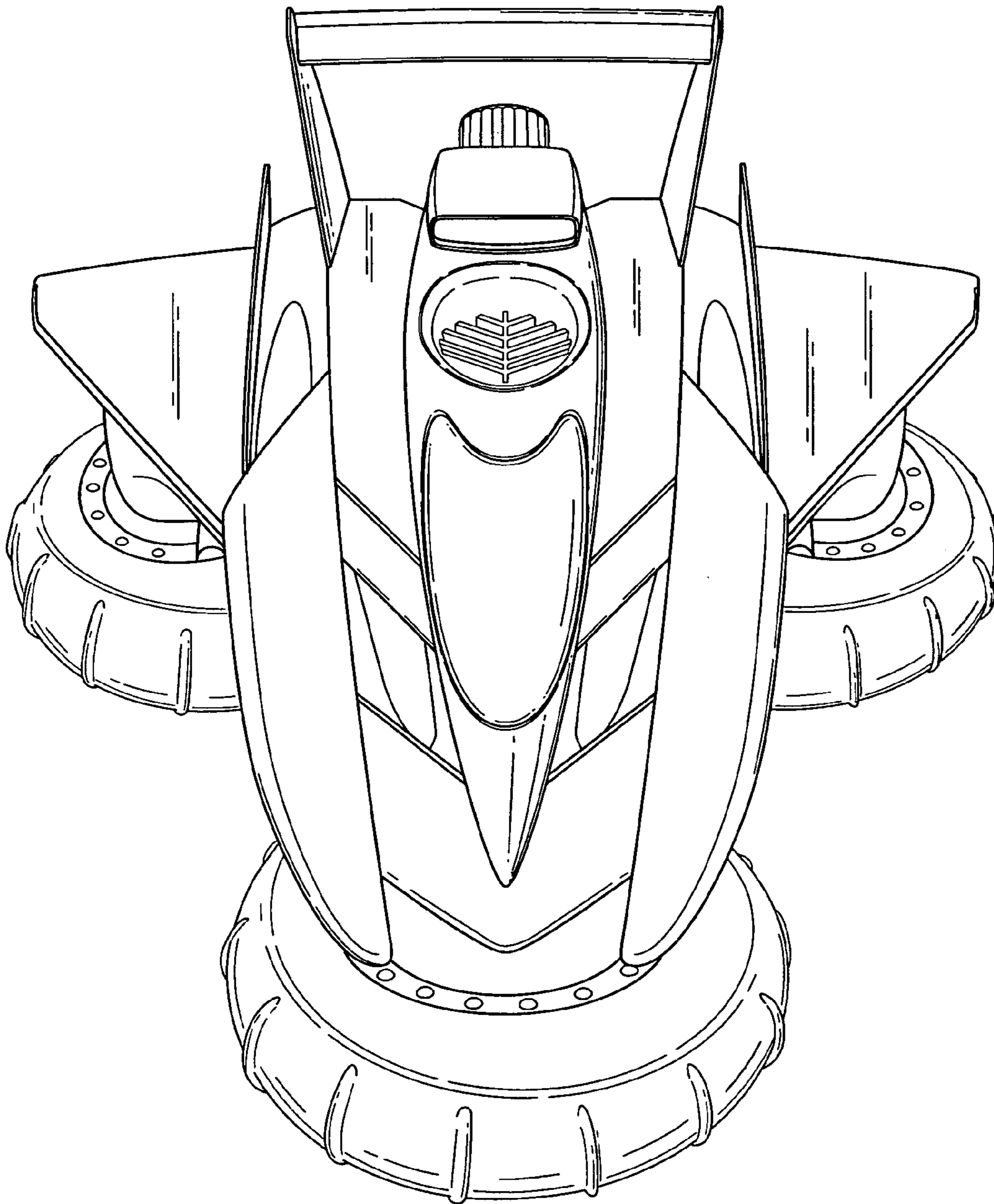


FIG. 4

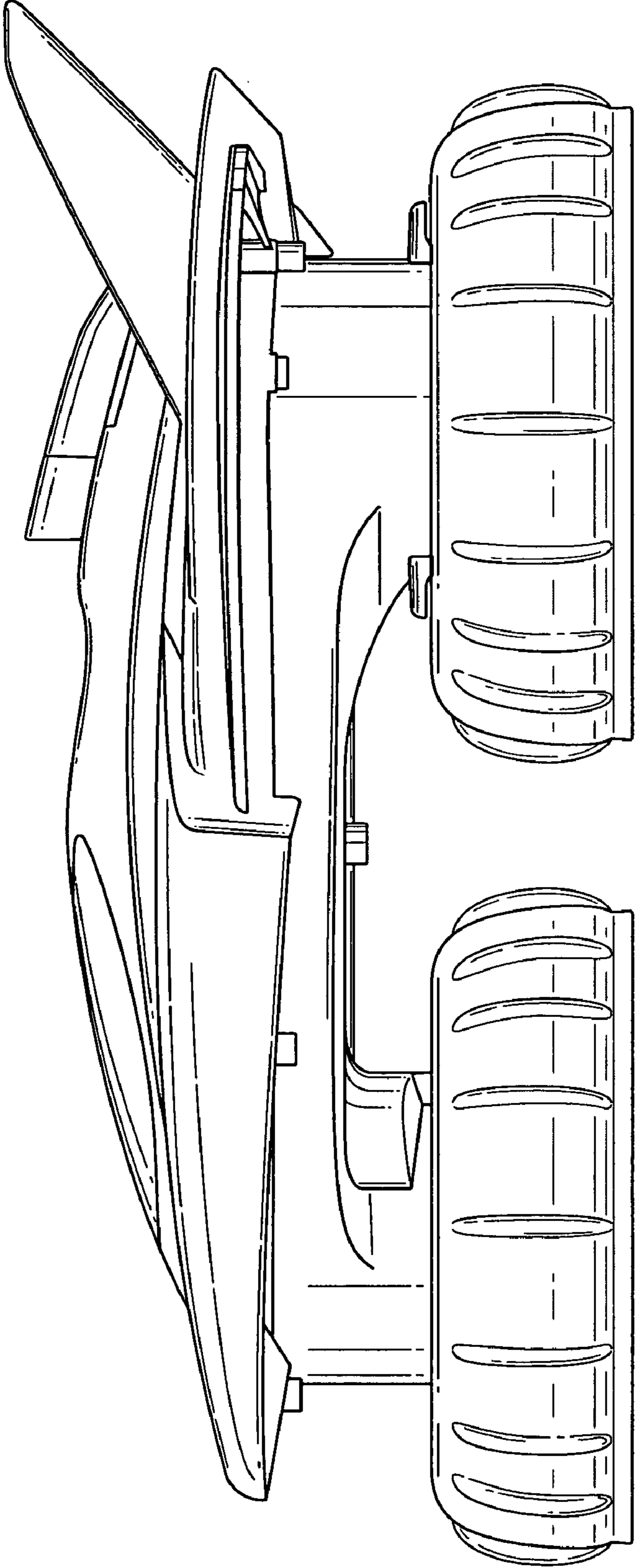


FIG. 5

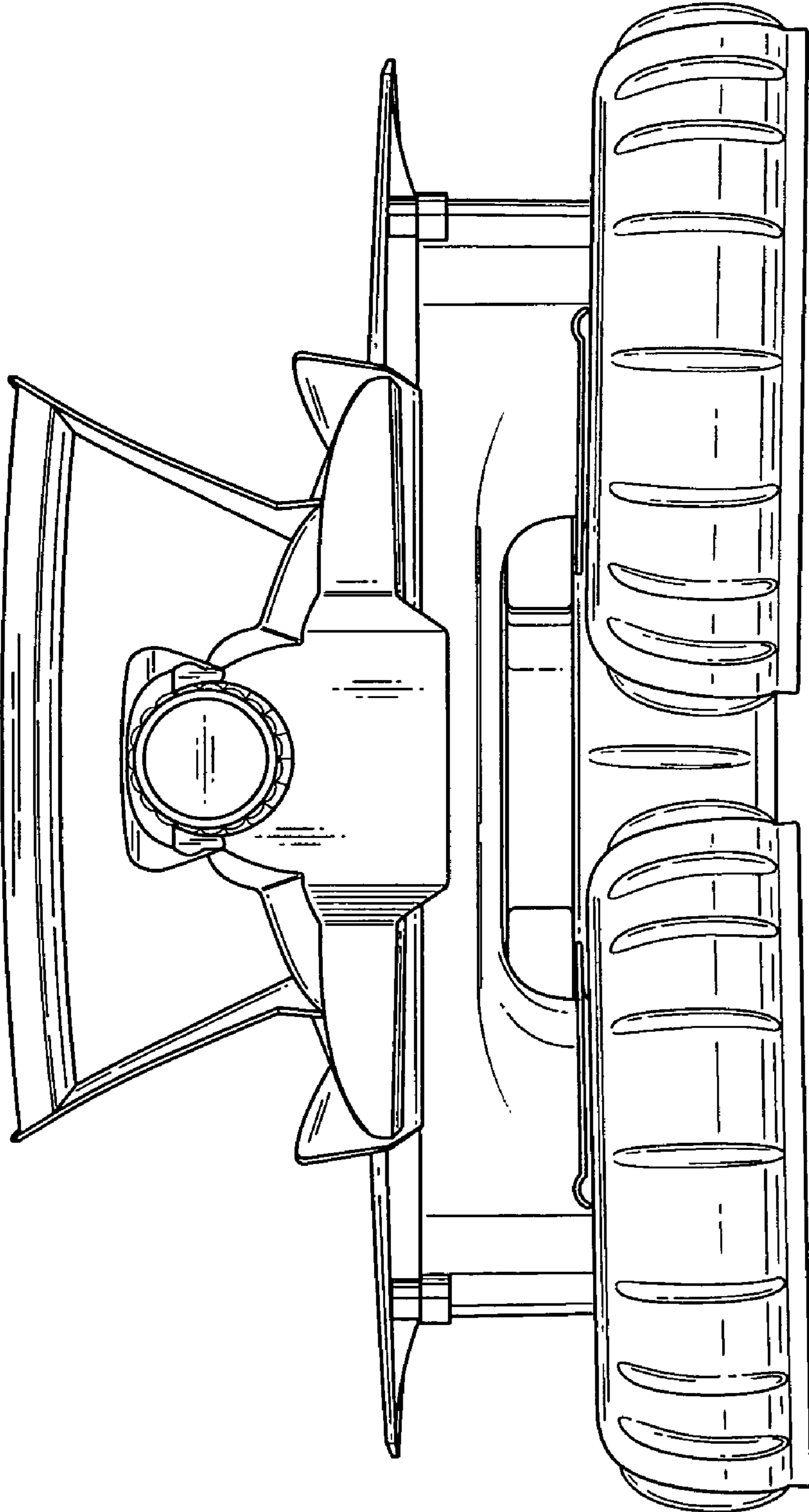


FIG. 6

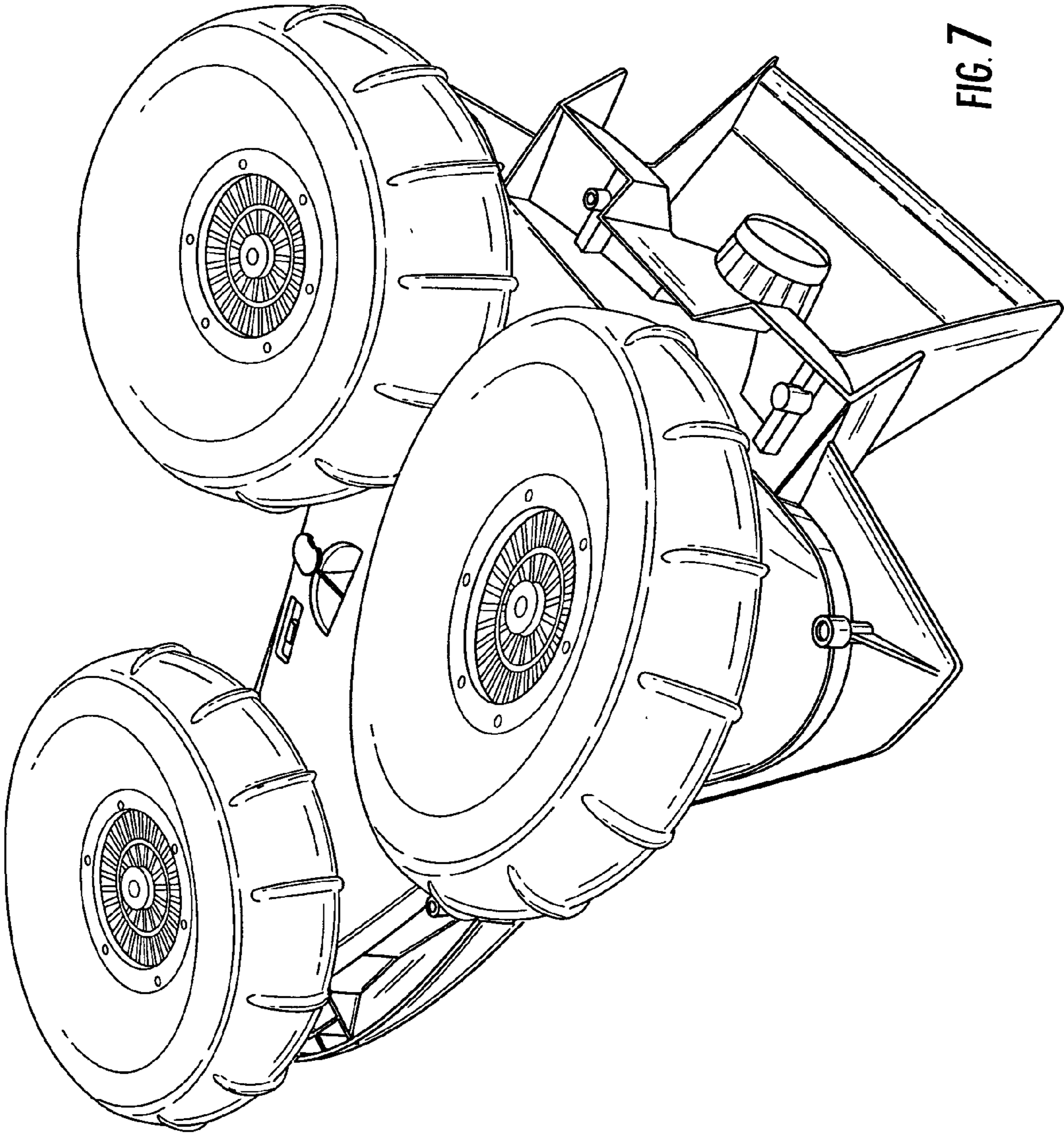


FIG. 7

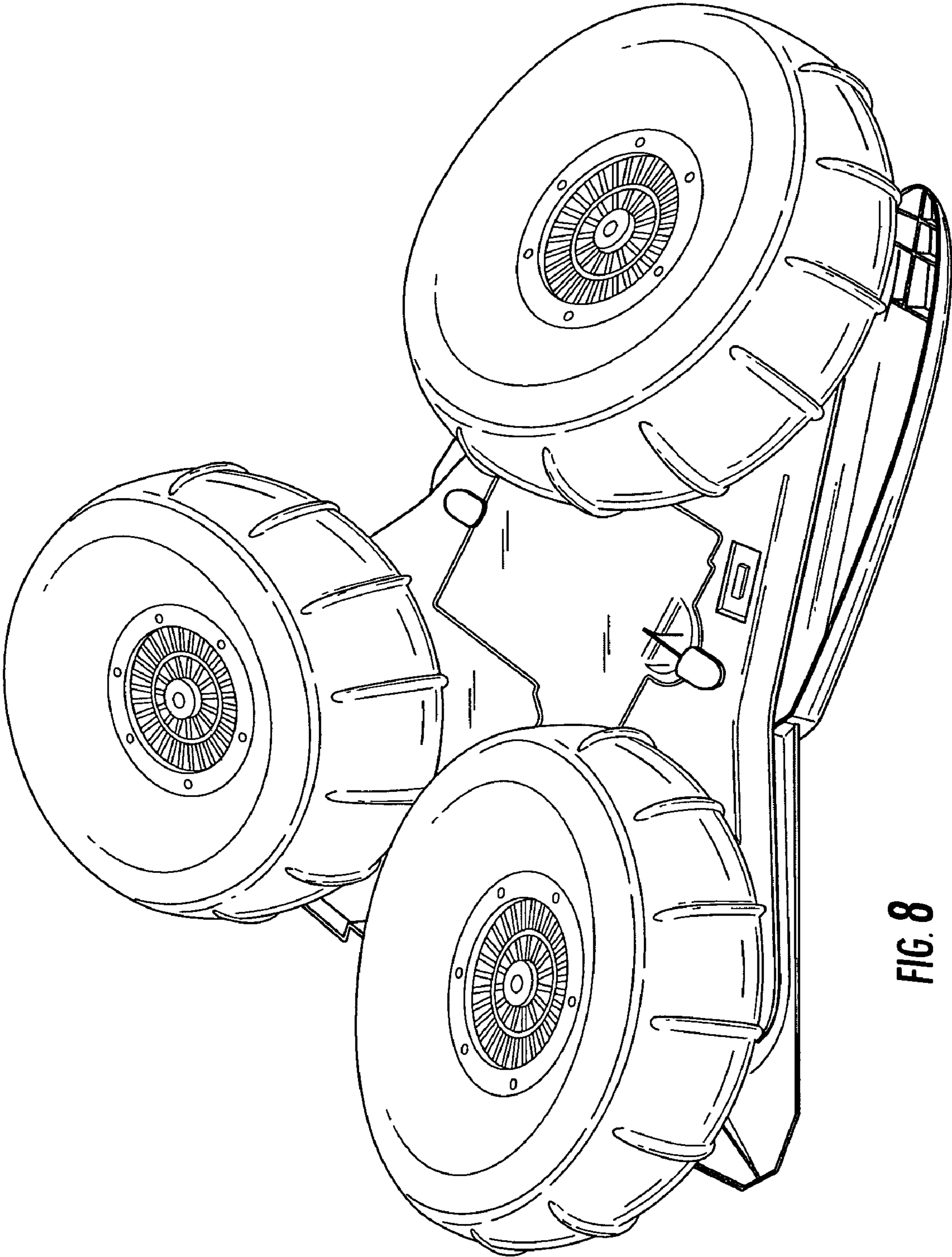


FIG. 8

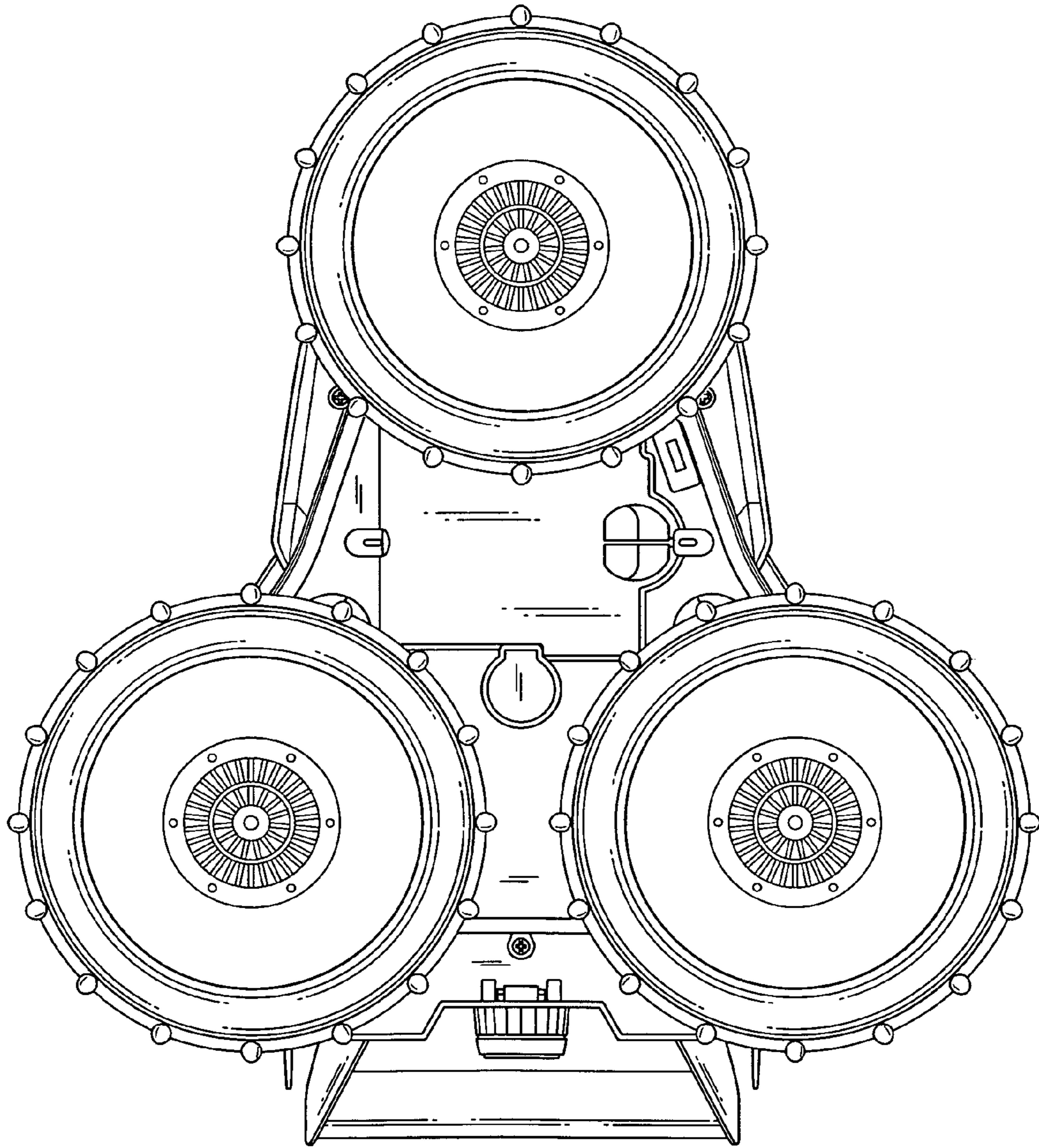


FIG. 9