



US00D577080S

(12) **United States Design Patent**  
**Spieberger**

(10) **Patent No.:** **US D577,080 S**  
(45) **Date of Patent:** **\*\* Sep. 16, 2008**

(54) **RIDE ON TOY DUMP TRUCK BED**

(75) Inventor: **Lee Spieberger**, Warwick, RI (US)

(73) Assignee: **Hasbro, Inc.**, Pawtucket, RI (US)

(\*\*) Term: **14 Years**

(21) Appl. No.: **29/297,089**

(22) Filed: **Nov. 2, 2007**

(51) **LOC (8) Cl.** ..... **21-01**

(52) **U.S. Cl.** ..... **D21/431; D21/434**

(58) **Field of Classification Search** ..... D21/419,  
D21/422, 426, 427, 433, 537, 554, 559; D15/10,  
D15/15, 23, 26; 446/431, 433, 434; 280/827,  
280/828, 87.01, 87.021, 87.03, 87.051, 47.37,  
280/47.38, 47.4

See application file for complete search history.

(56) **References Cited**

**U.S. PATENT DOCUMENTS**

3,197,918 A	8/1965	Coggeshall	
3,240,201 A	3/1966	Shelton	
4,031,659 A	6/1977	Keller et al.	
D264,234 S *	5/1982	Nakao et al.	D21/433
D281,792 S *	12/1985	Nakao et al.	D21/431
D282,184 S *	1/1986	Nakao et al.	D21/433
D305,555 S *	1/1990	Spielberger	D21/554
D311,934 S *	11/1990	Takahashi et al.	D21/433
D345,769 S *	4/1994	Liu	D21/433
5,378,191 A	1/1995	Ryaa	
5,441,289 A	8/1995	Spielberger	
D362,035 S *	9/1995	Klawitter	D21/554
D378,105 S *	2/1997	Nakai	D21/433
D424,126 S	5/2000	Goes et al.	
D439,934 S *	4/2001	Wang	D21/433
6,264,528 B1	7/2001	Doan et al.	

6,296,268 B1	10/2001	Ford et al.	
6,474,659 B1	11/2002	Horchler et al.	
6,695,327 B1	2/2004	Maggiore et al.	
D552,692 S *	10/2007	Stern et al.	D21/554

\* cited by examiner

*Primary Examiner*—Holly H. Baynham

*Assistant Examiner*—Cynthia M Chin

(74) *Attorney, Agent, or Firm*—Perry Hoffman

(57) **CLAIM**

The ornamental design for a ride on toy dump truck bed, as shown and described.

**DESCRIPTION**

FIG. 1 is a first perspective view of the ride on toy dump truck bed of the instant invention shown for illustrative purposes in assembly with the toy dump truck;

FIG. 2 is a second perspective view of the ride on toy dump truck bed thereof;

FIG. 3 is a third perspective view of the ride on toy dump truck bed thereof;

FIG. 4 is a fourth perspective view of the ride on toy dump truck bed thereof;

FIG. 5 is a top plan view thereof;

FIG. 6 is a bottom plan view thereof;

FIG. 7 is a left side elevational view thereof;

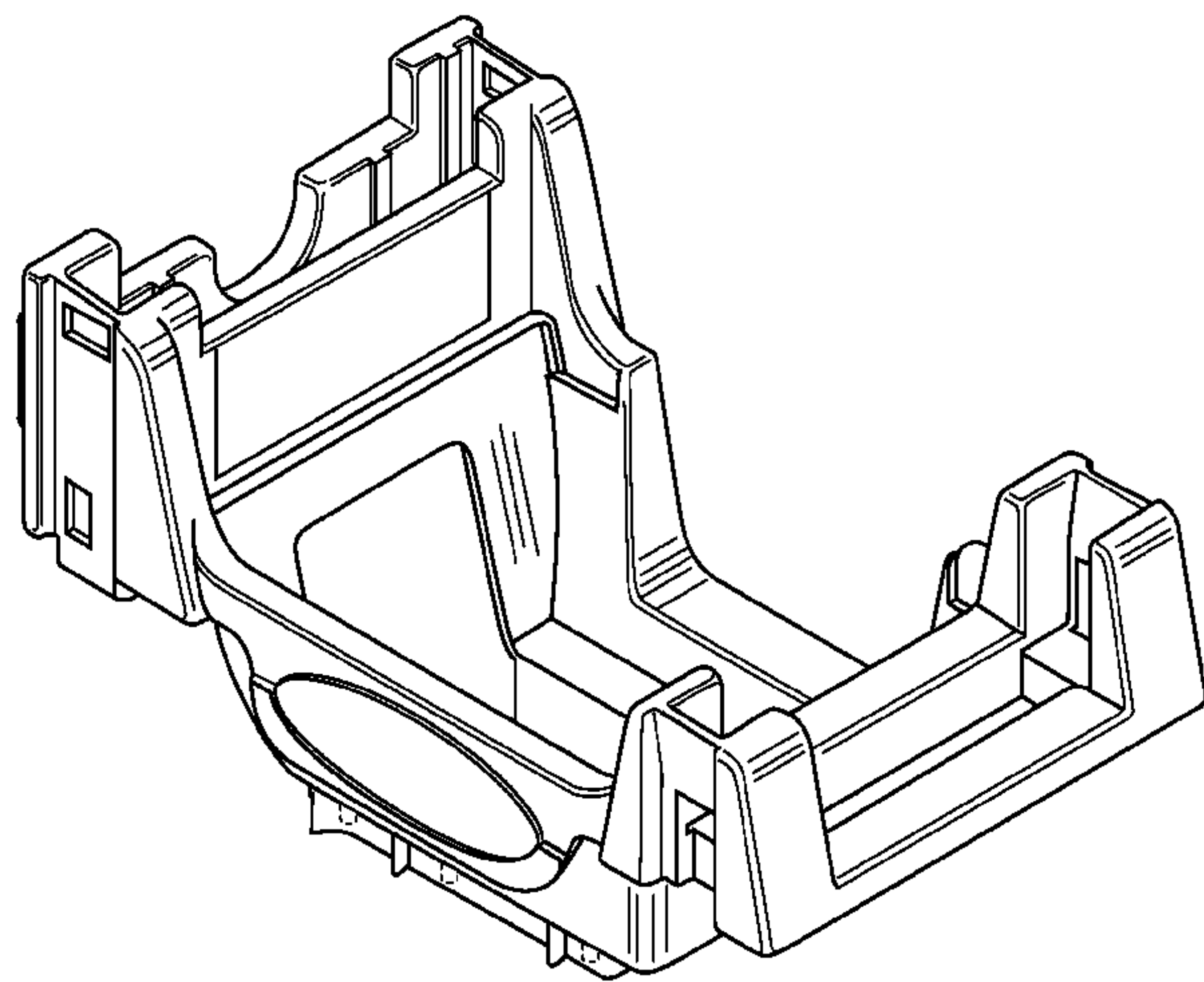
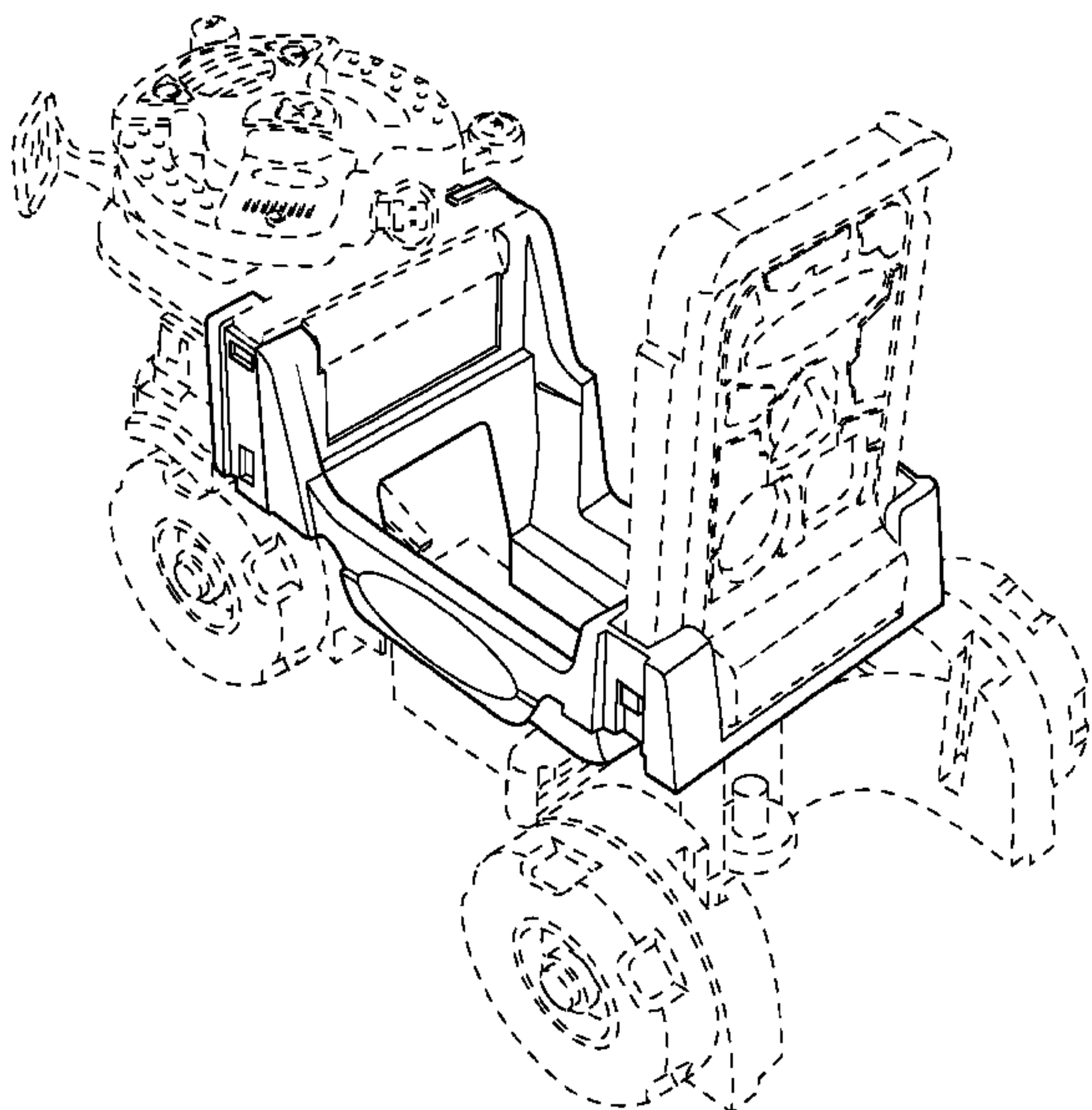
FIG. 8 is a right side elevational view thereof;

FIG. 9 is a front elevational view thereof; and,

FIG. 10 is a rear elevational view thereof.

The portions shown in broken lines and indicia are for illustrative purposes only; and form no part of the claimed design.

**1 Claim, 7 Drawing Sheets**



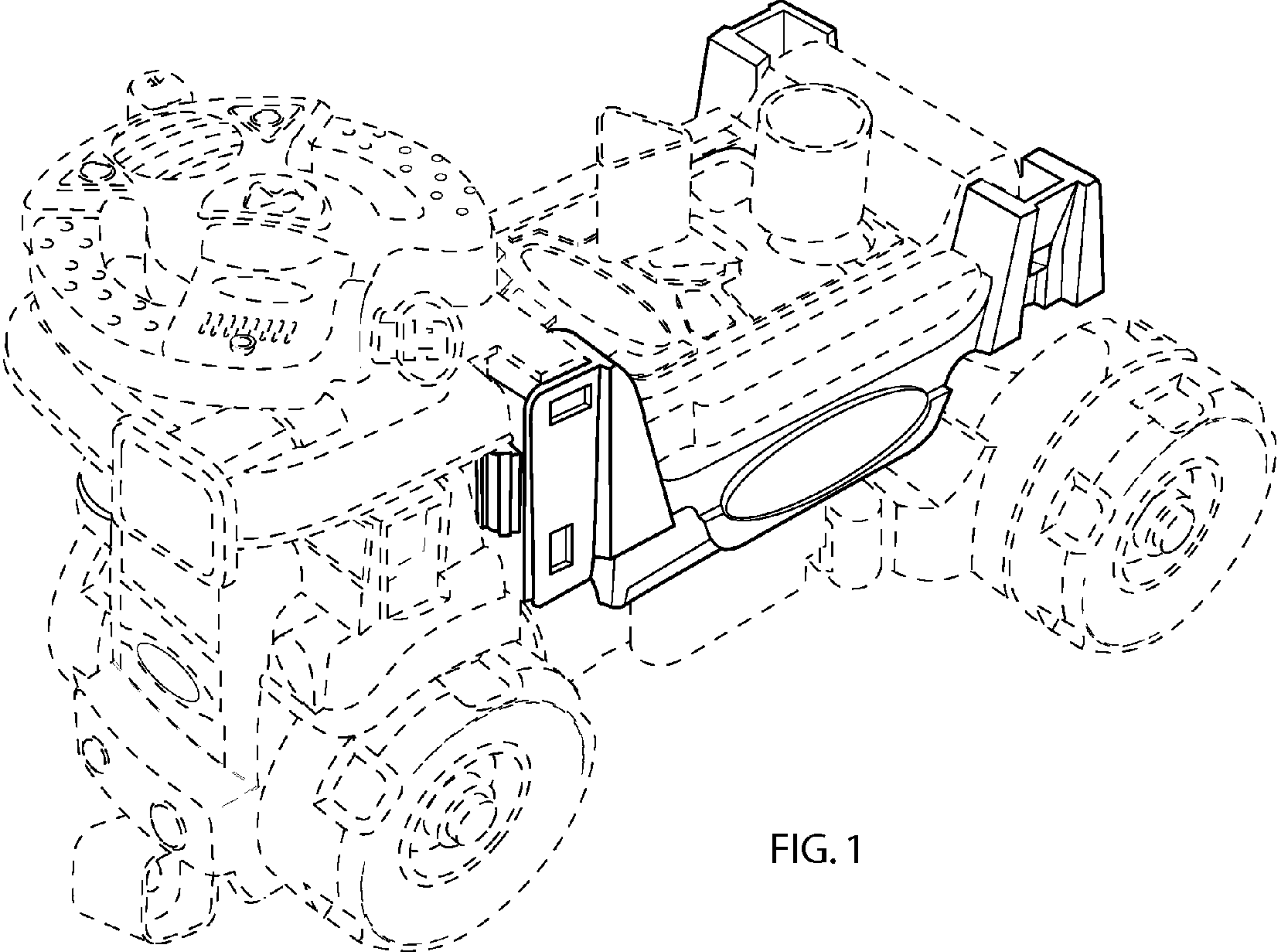


FIG. 1

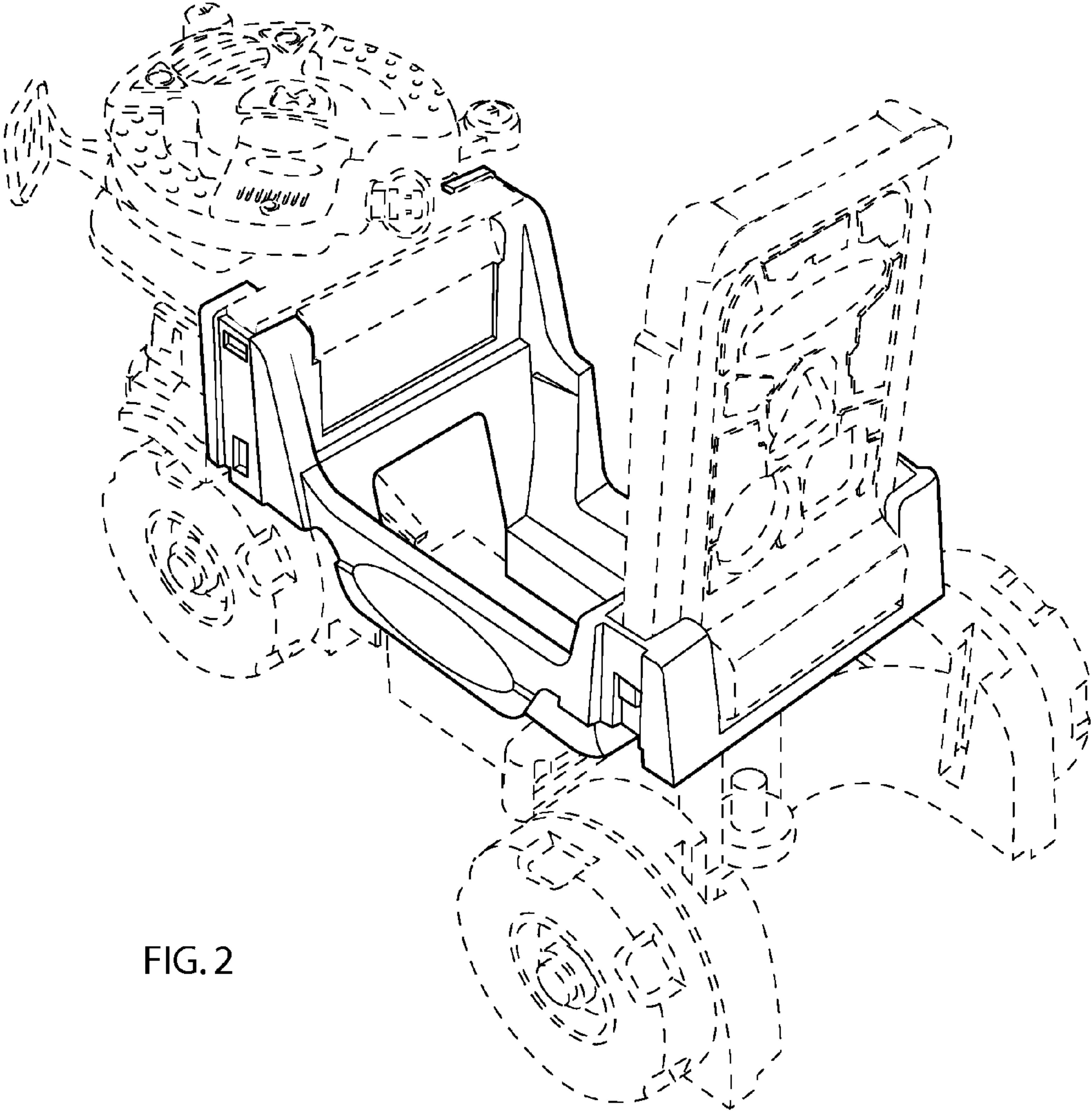


FIG. 2



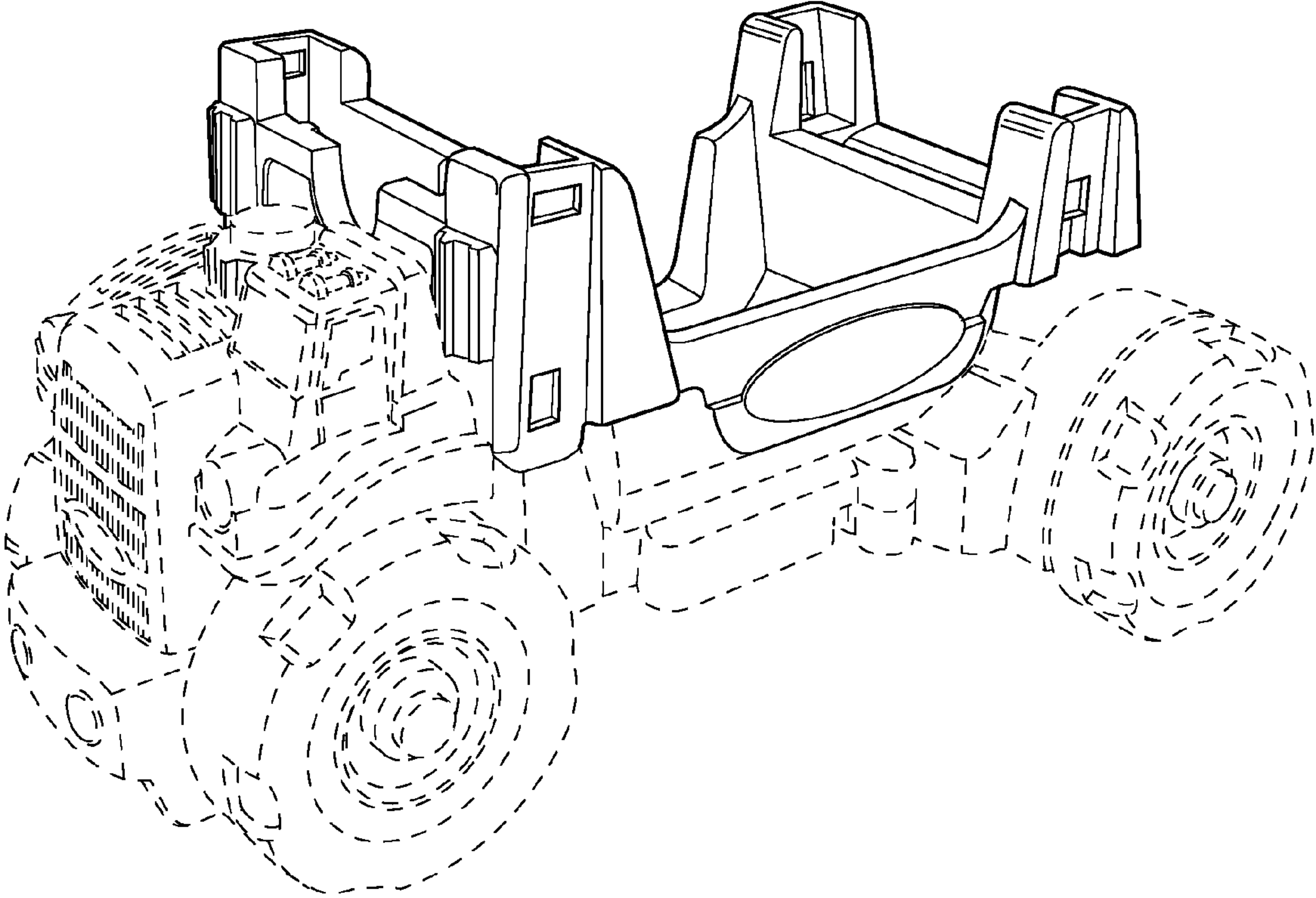


FIG. 3

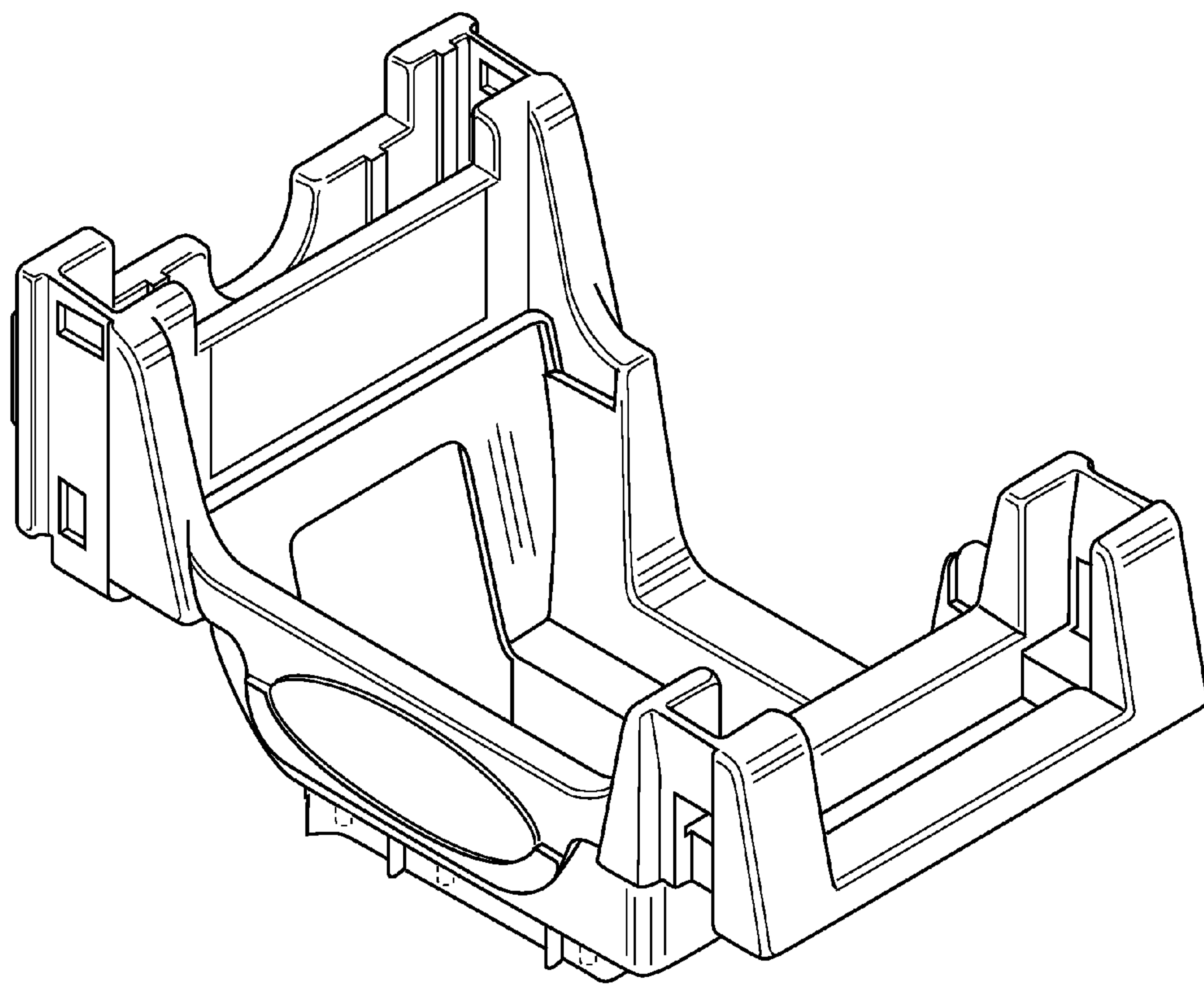


FIG. 4

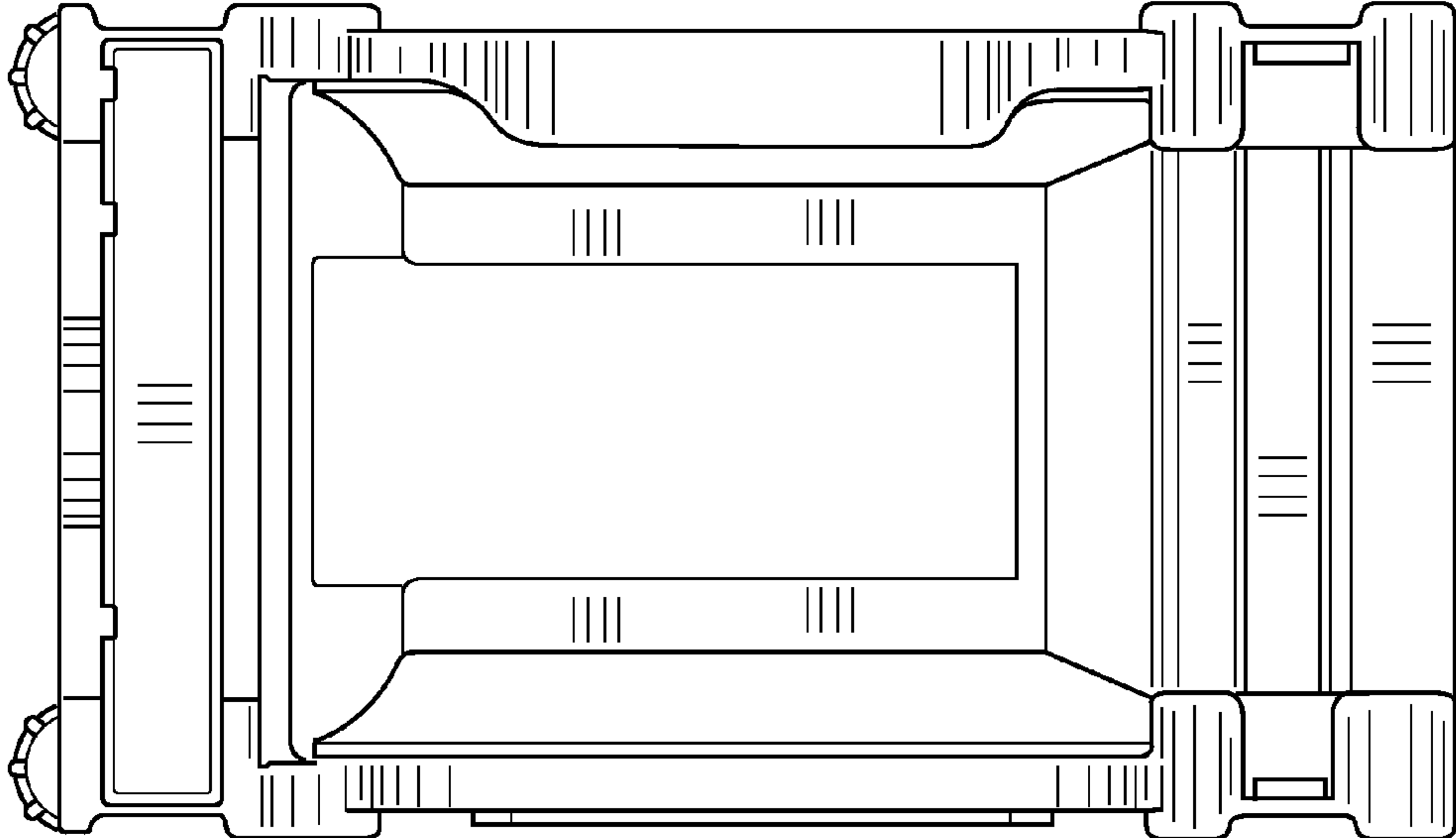


FIG. 5

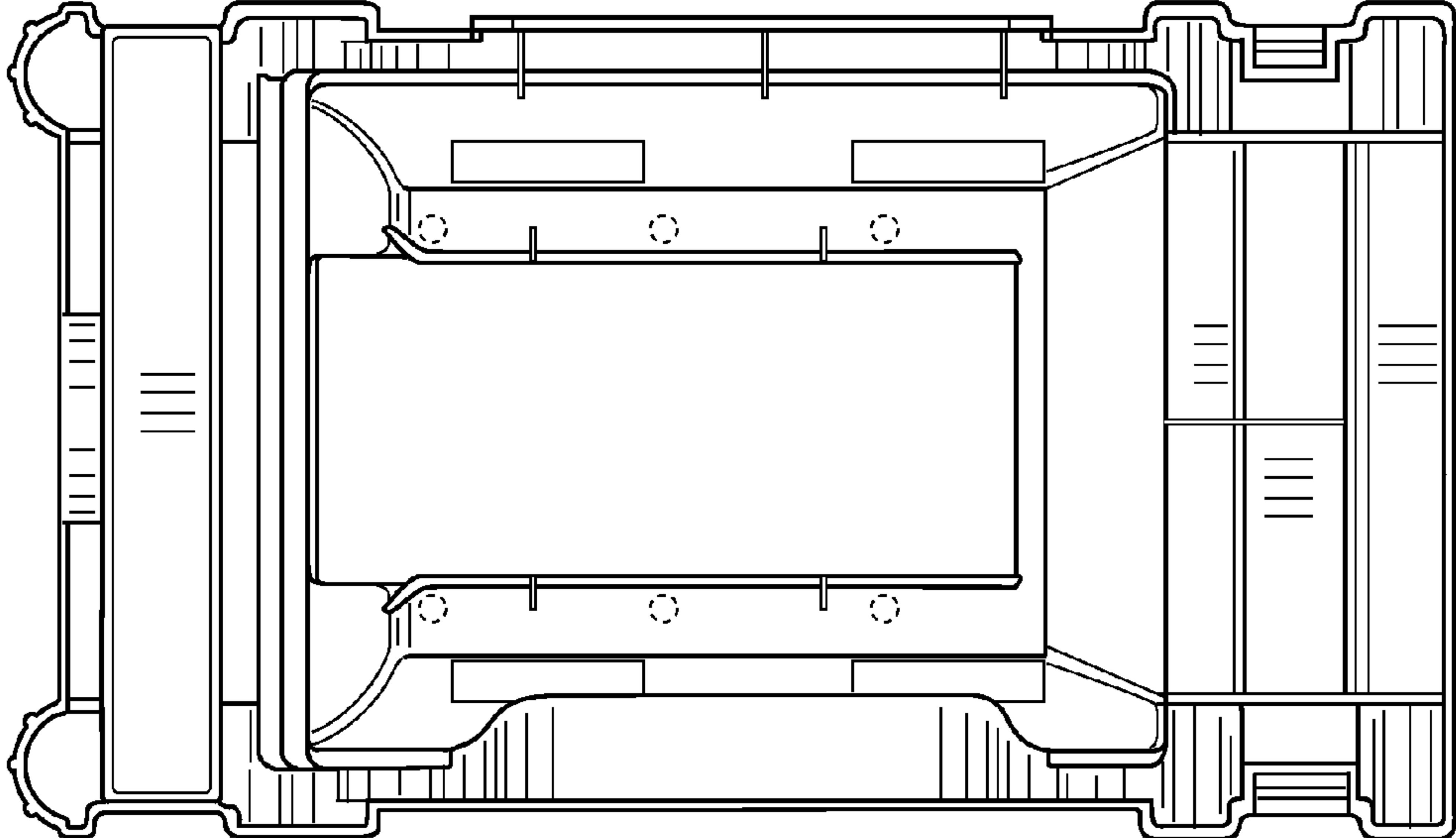


FIG. 6

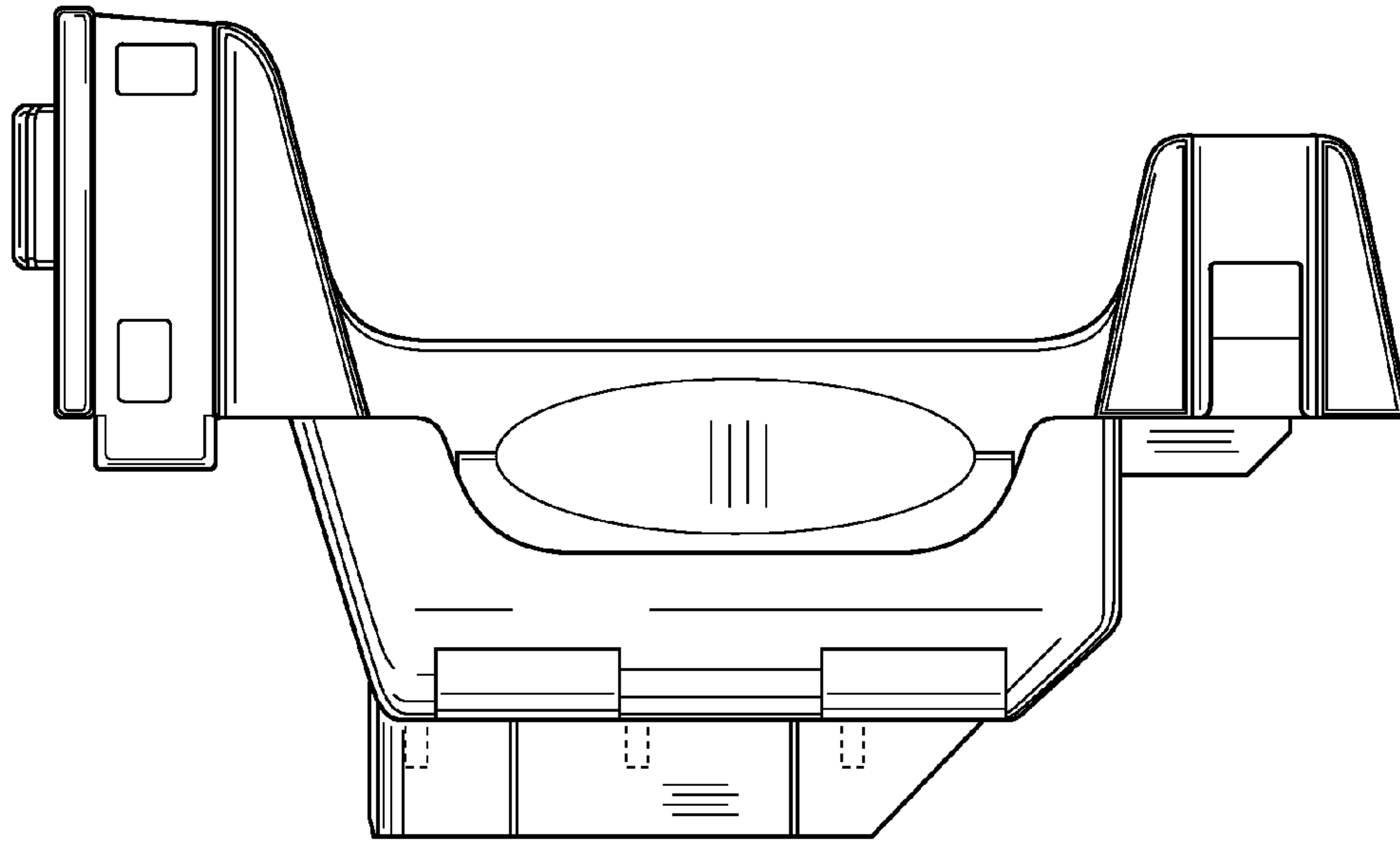


FIG. 7

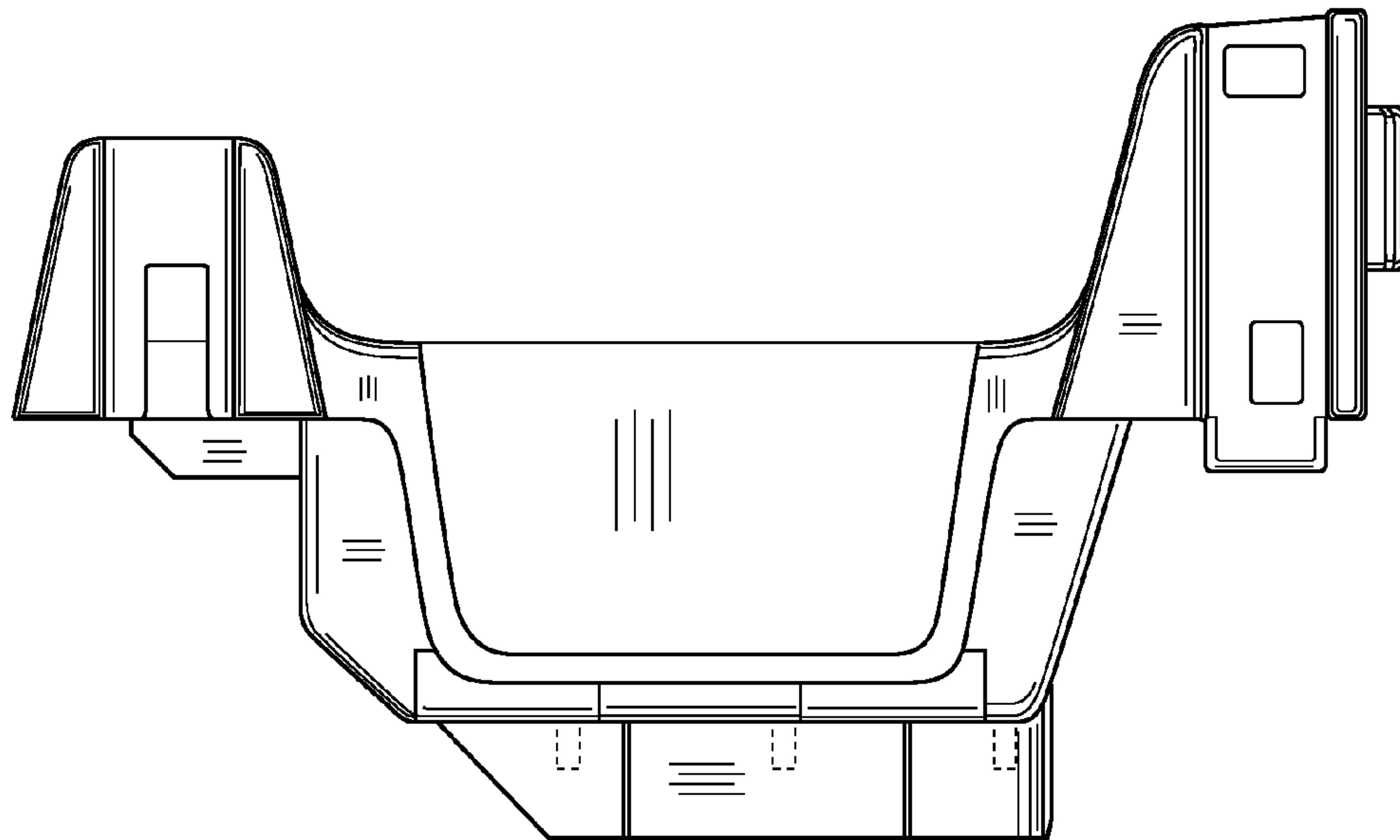


FIG. 8

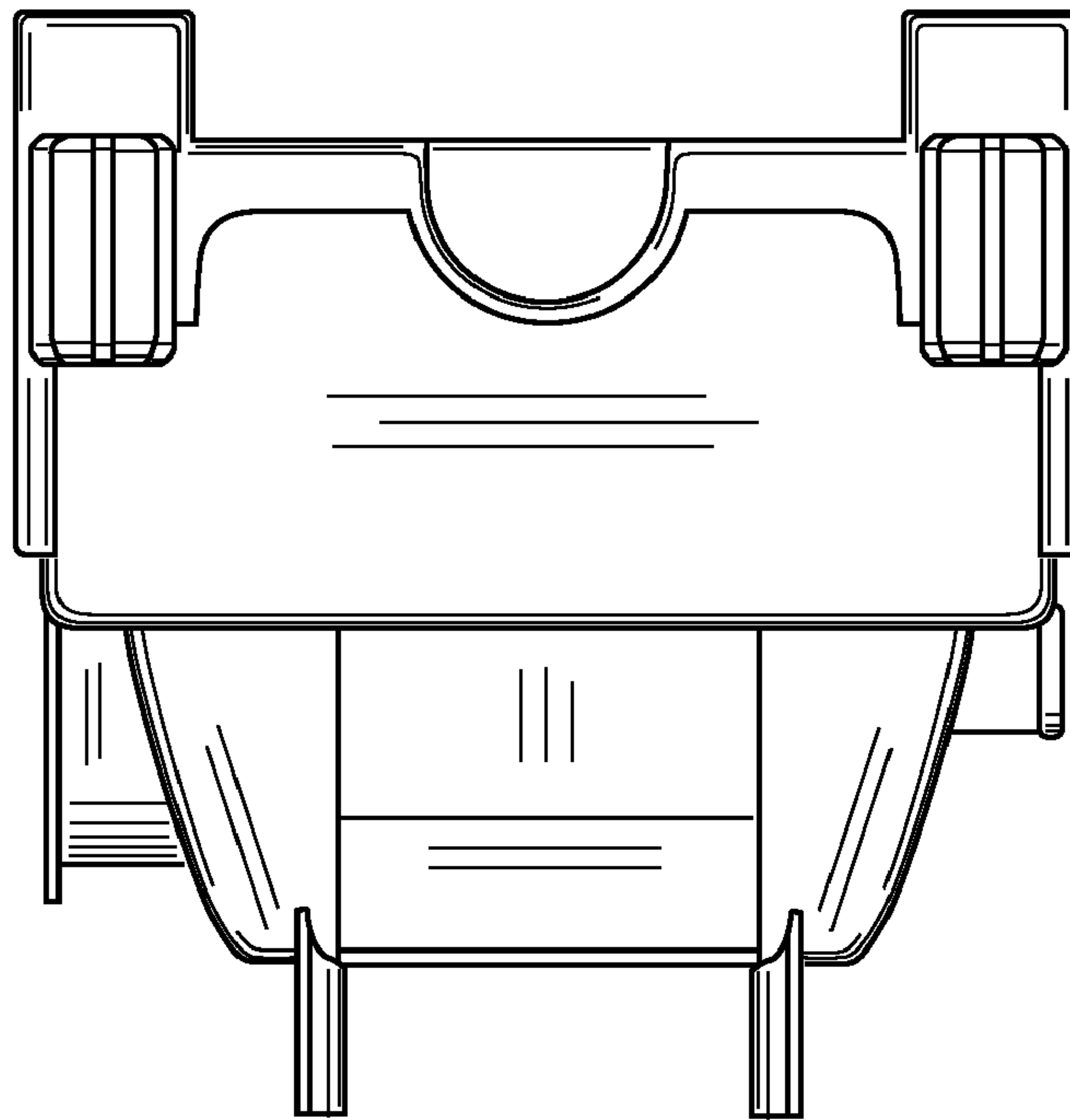


FIG. 9

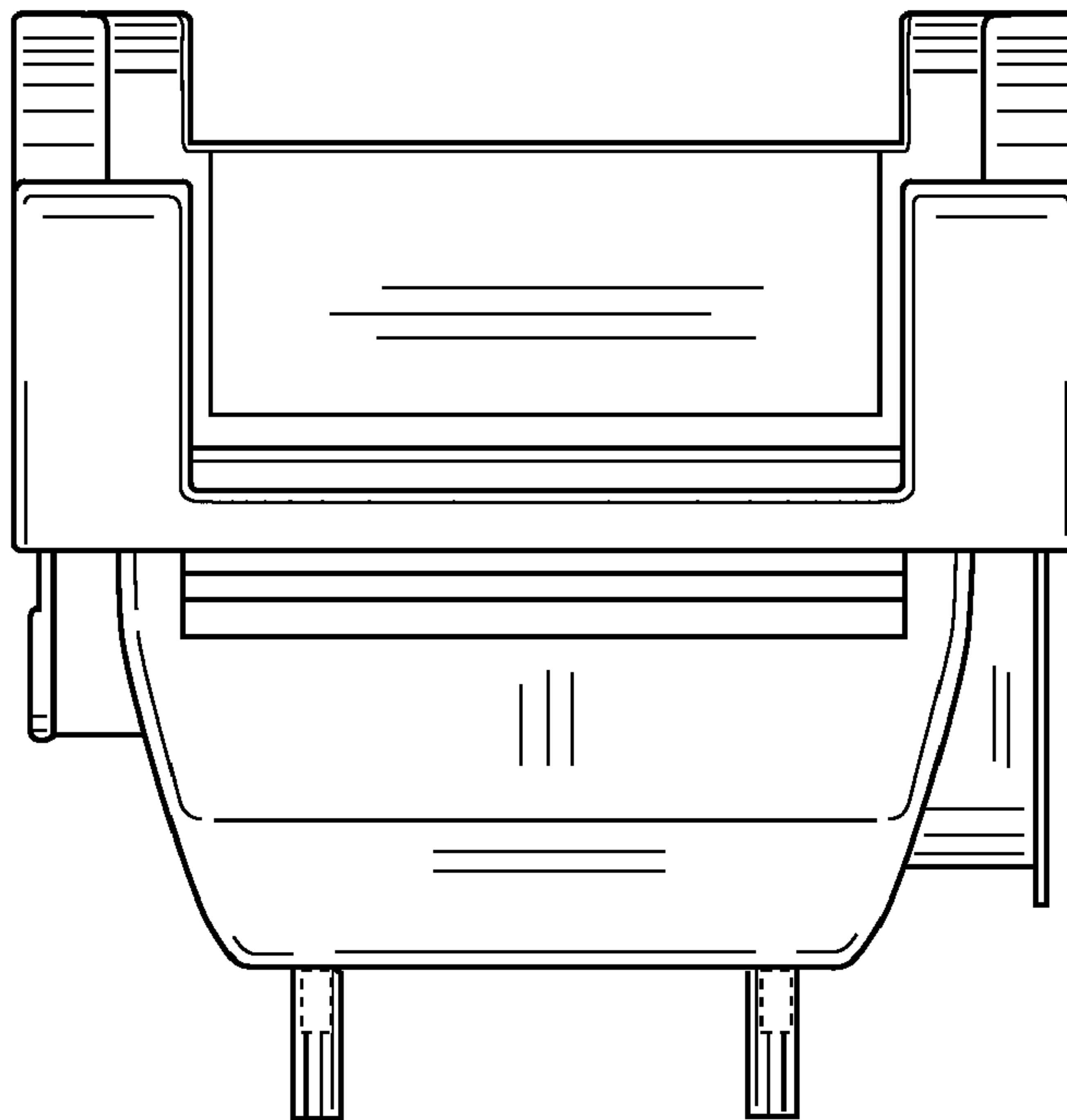


FIG. 10