



US00D577079S

(12) **United States Design Patent**  
**Lee**

(10) **Patent No.:** **US D577,079 S**  
(45) **Date of Patent:** **\*\* Sep. 16, 2008**

(54) **TOY HORSEBACK RIDER**

(75) Inventor: **Doo Pyeong Lee**, Goyang-si (KR)

(73) Assignee: **Sung Shin Enc Co., Ltd.**, Incheon (KR)

(\*\*) Term: **14 Years**

(21) Appl. No.: **29/305,864**

(22) Filed: **Mar. 28, 2008**

(51) **LOC (8) Cl.** ..... **21-01**

(52) **U.S. Cl.** ..... **D21/429**

(58) **Field of Classification Search** ..... D21/412,  
D21/414-417, 419, 421, 424, 426, 427-249,  
D21/620, 811, 814, 828, 831; 280/1.175,  
280/1.181-1.184, 1.191-1.194, 827, 828,  
280/87.01, 87.021, 8.03; D30/134, 135,  
D30/143

See application file for complete search history.

(56) **References Cited**

**U.S. PATENT DOCUMENTS**

1,808,887 A \* 6/1931 Dunkley ..... 280/1.192  
D103,924 S \* 4/1937 Burns ..... D21/419  
D136,984 S \* 1/1944 Richardson ..... D12/129  
D146,932 S \* 6/1947 Wenperten ..... D12/129  
2,490,410 A \* 12/1949 Brown ..... 280/1.203

D169,976 S \* 7/1953 Hutchison ..... D21/421  
2,759,736 A \* 8/1956 Block ..... 280/1.182  
D179,180 S \* 11/1956 Beck ..... D21/429  
D180,750 S \* 8/1957 Rassier ..... D21/416  
2,911,226 A \* 11/1959 Grieder ..... 280/1.183  
4,971,342 A \* 11/1990 Dix et al. .... 280/1.13  
D340,955 S \* 11/1993 Hoffmaster ..... D21/429  
D359,314 S \* 6/1995 Baerenwald et al. .... D21/429  
D500,097 S \* 12/2004 Passmore ..... D21/429

\* cited by examiner

*Primary Examiner*—Holly H. Baynham

*Assistant Examiner*—Cynthia M Chin

(74) *Attorney, Agent, or Firm*—IPLA P.A.; James E. Bame

(57) **CLAIM**

The ornamental design for a toy horseback rider, as shown and described.

**DESCRIPTION**

FIG. 1 is a perspective view of my new design;

FIG. 2 is a side elevational view thereof, the opposite side being a mirror image;

FIG. 3 is a top plan view thereof;

FIG. 4 is a front elevational view thereof; and,

FIG. 5 is a rear elevational view thereof.

**1 Claim, 4 Drawing Sheets**

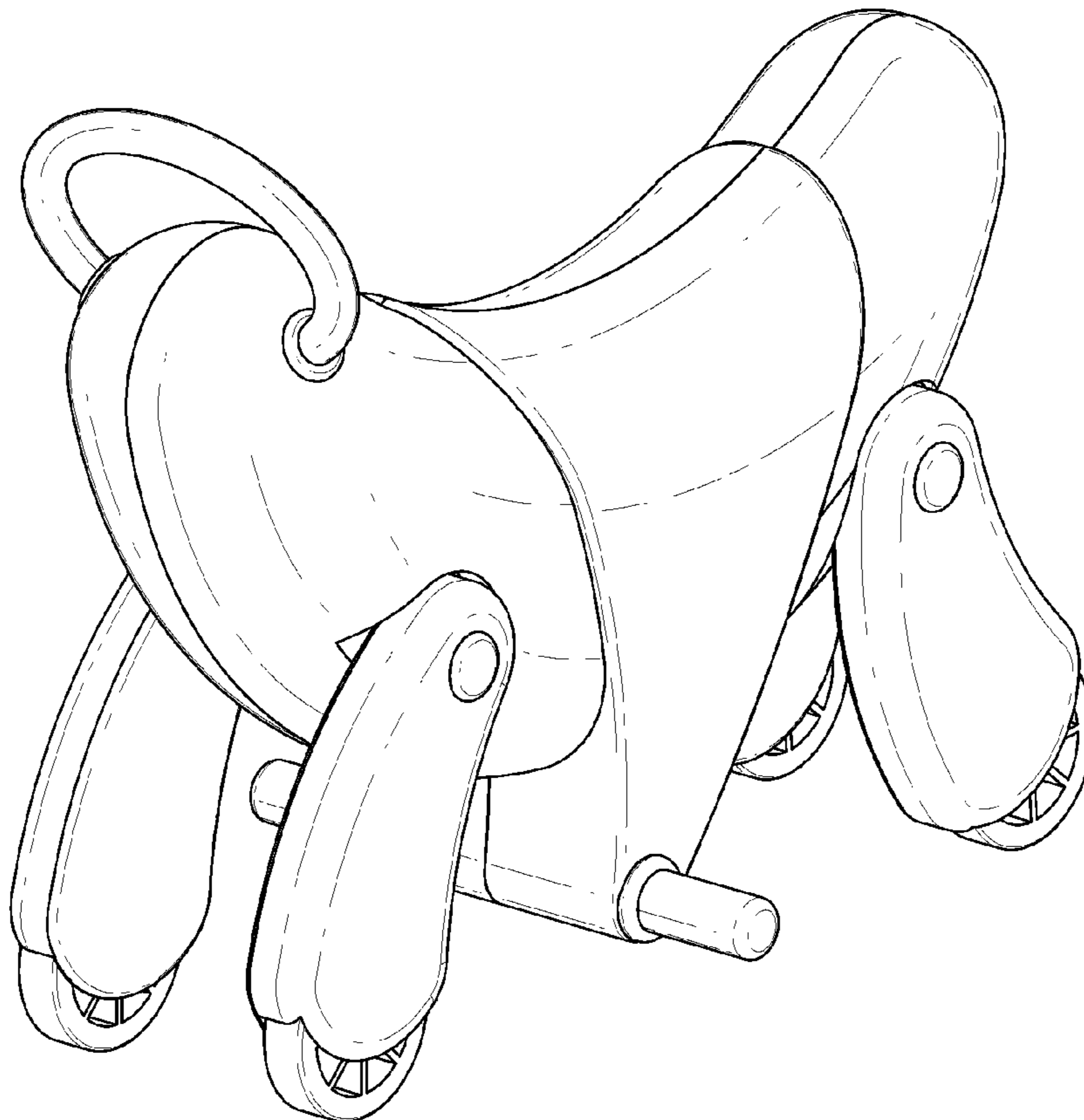


FIG. 1

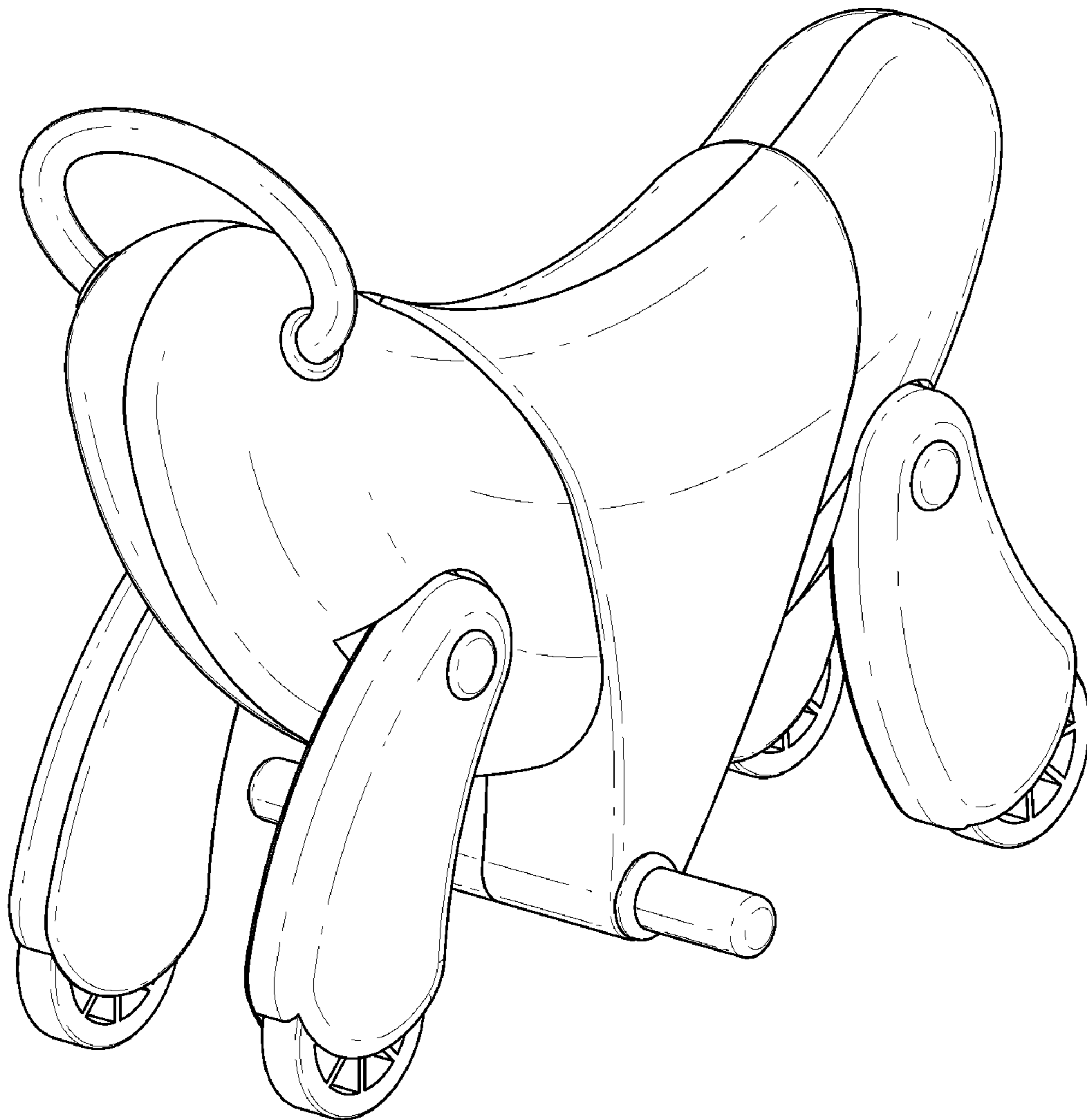


FIG. 2

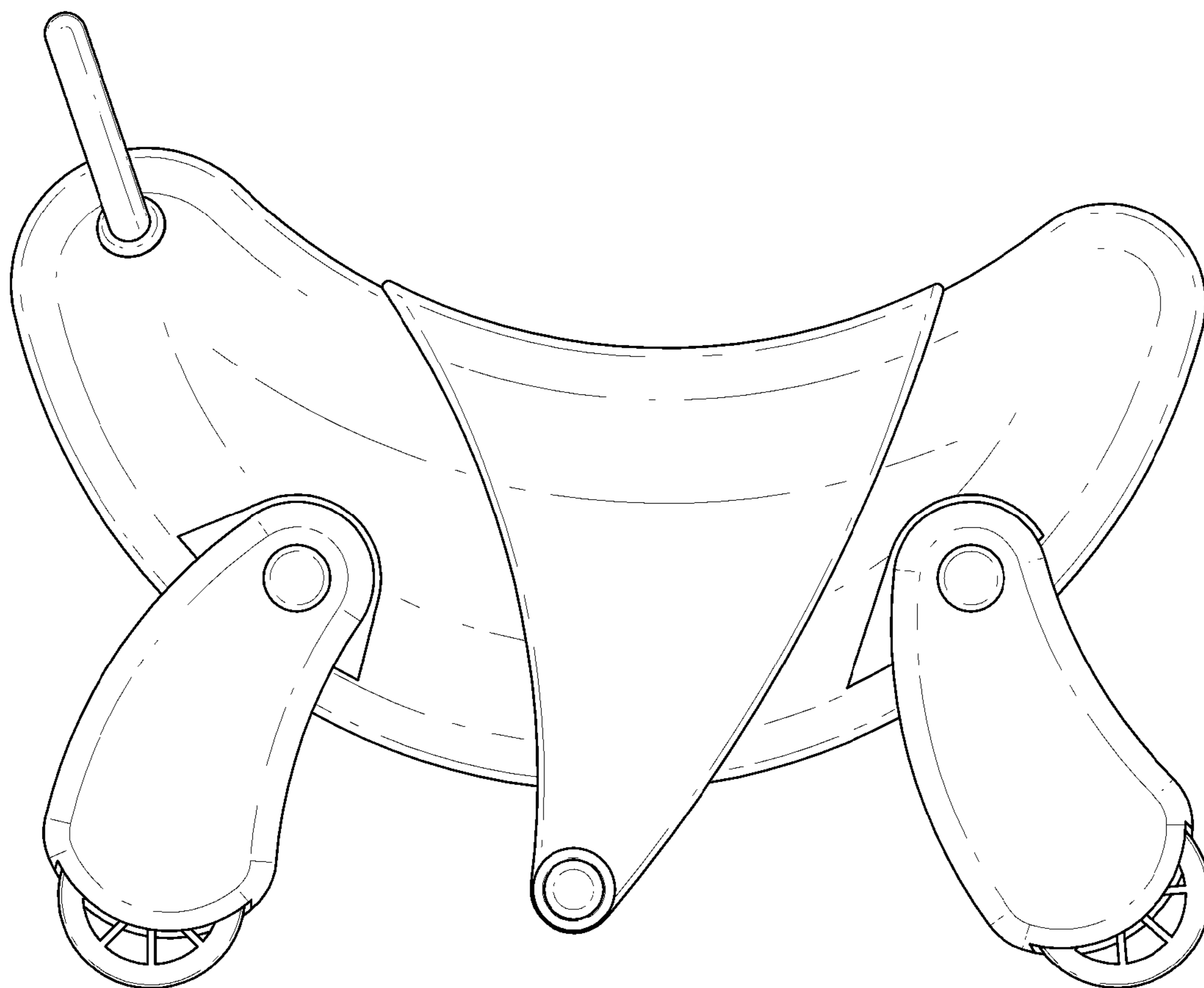


FIG. 3

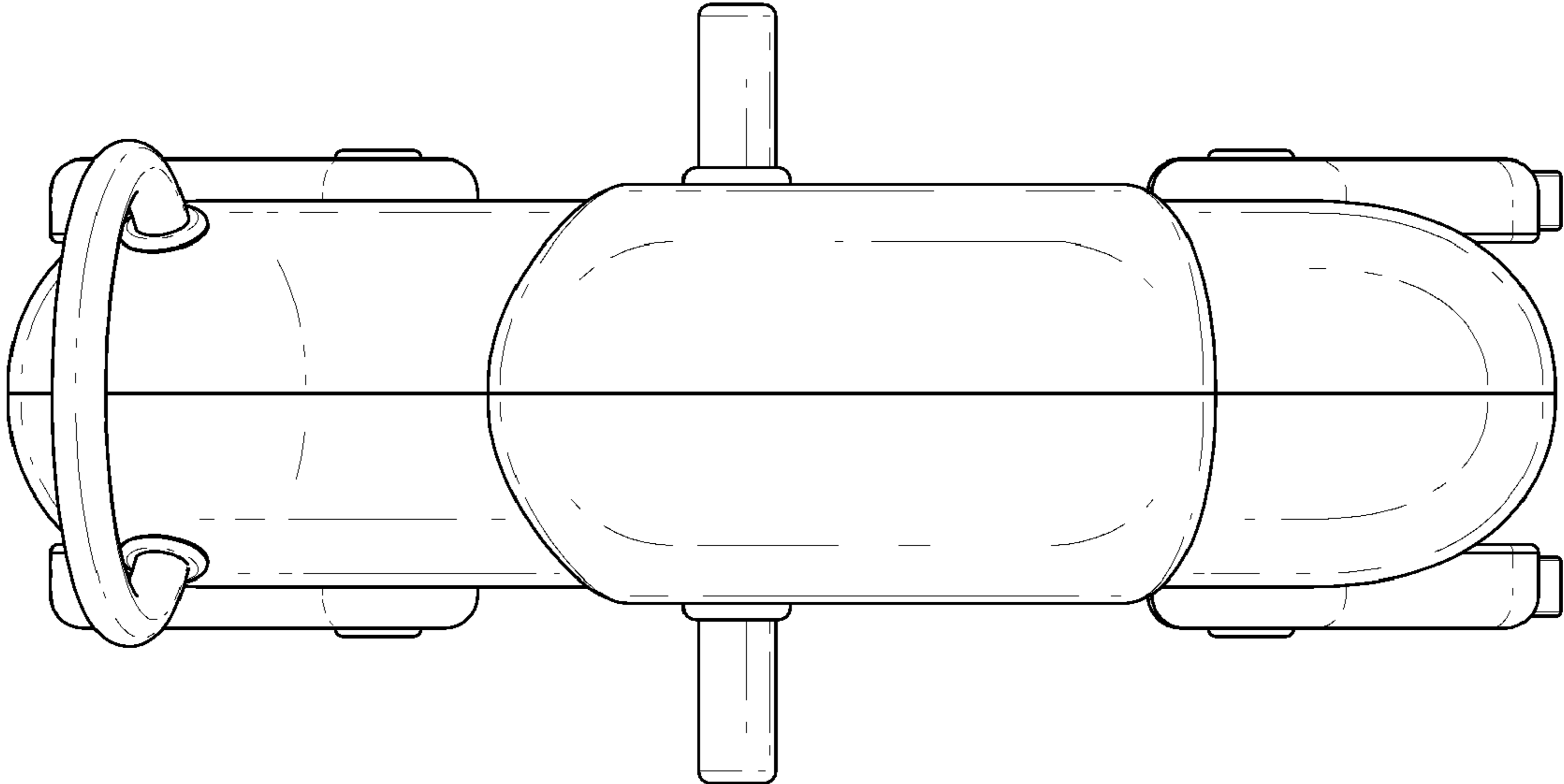


FIG. 4

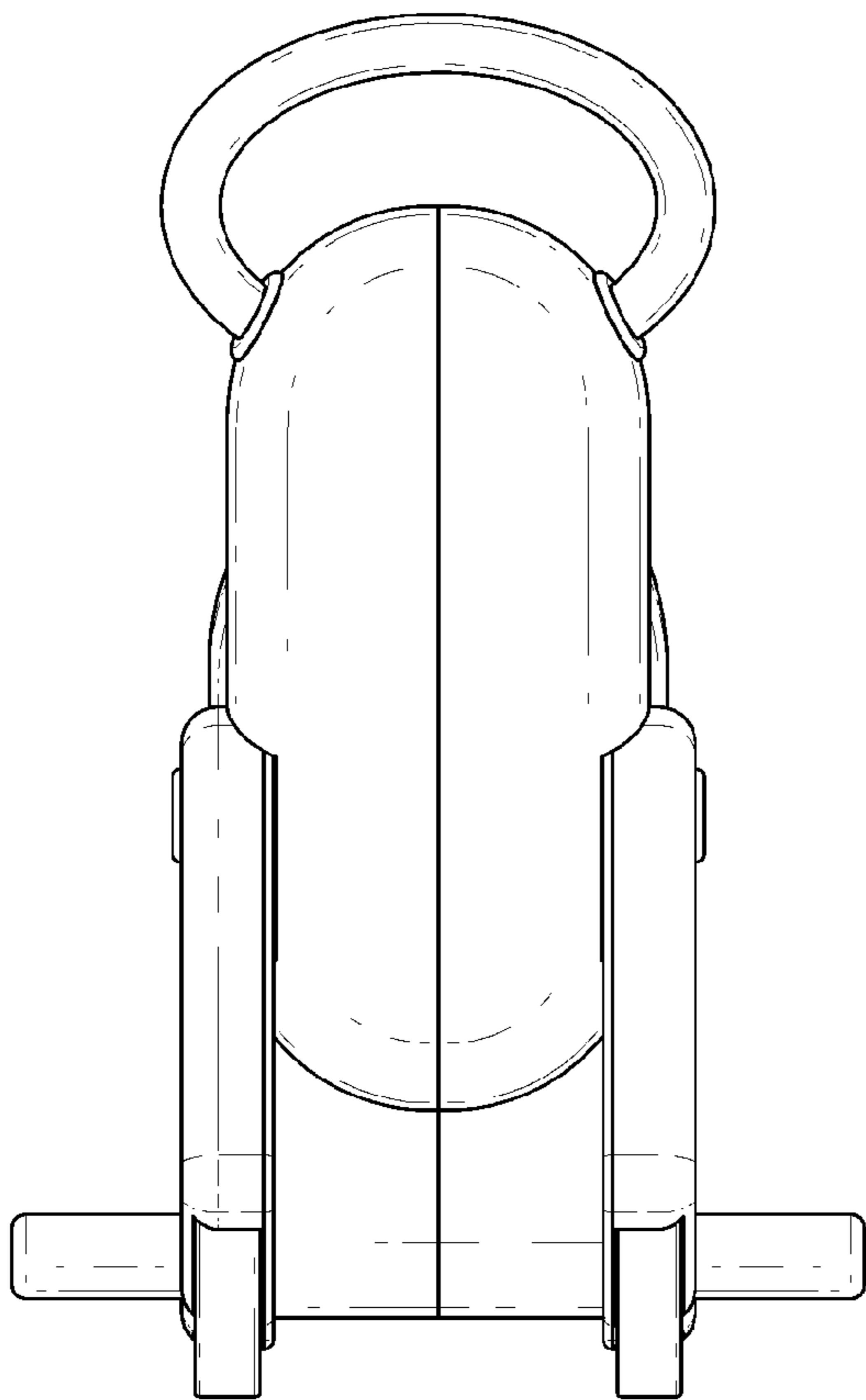


FIG. 5

