



US00D577078S

(12) **United States Design Patent**  
**Shimizu et al.**

(10) **Patent No.:** **US D577,078 S**

(45) **Date of Patent:** **\*\* Sep. 16, 2008**

(54) **SLOT MACHINE LIGHT ARRANGEMENT**

(75) Inventors: **Toshiaki Shimizu**, Yamato (JP); **Takashi Nishitsuji**, Sagamihara (JP); **Masayuki Seto**, Mita (JP)

(73) Assignee: **Konami Gaming, Inc.**, Las Vegas, NV (US)

(\*\*) Term: **14 Years**

(21) Appl. No.: **29/288,479**

(22) Filed: **Jun. 13, 2007**

(51) **LOC (8) Cl.** ..... **21-03**

(52) **U.S. Cl.** ..... **D21/370; D21/385**

(58) **Field of Classification Search** ..... D21/325, D21/329, 333, 369-371, 385; D14/305, D14/307; 463/16-17, 20, 25, 46-47

See application file for complete search history.

(56) **References Cited**

**U.S. PATENT DOCUMENTS**

2003/0013513 A1\* 1/2003 Rowe ..... 463/20  
2005/0181879 A1\* 8/2005 Rothschild ..... 463/46

**OTHER PUBLICATIONS**

Strictly Slots, Jun. 2003. Cash for Life slot machine.\*

R. Franco advertisement, published 2004. Bad Boys Jackpot slot machine.\*

\* cited by examiner

*Primary Examiner*—Sandra Morris

(74) *Attorney, Agent, or Firm*—Masuvalley & Partners

(57) **CLAIM**

The ornamental design for a slot machine light arrangement, as shown and described.

**DESCRIPTION**

FIG. 1 is a front elevation view of an embodiment of our slot machine light arrangement design;

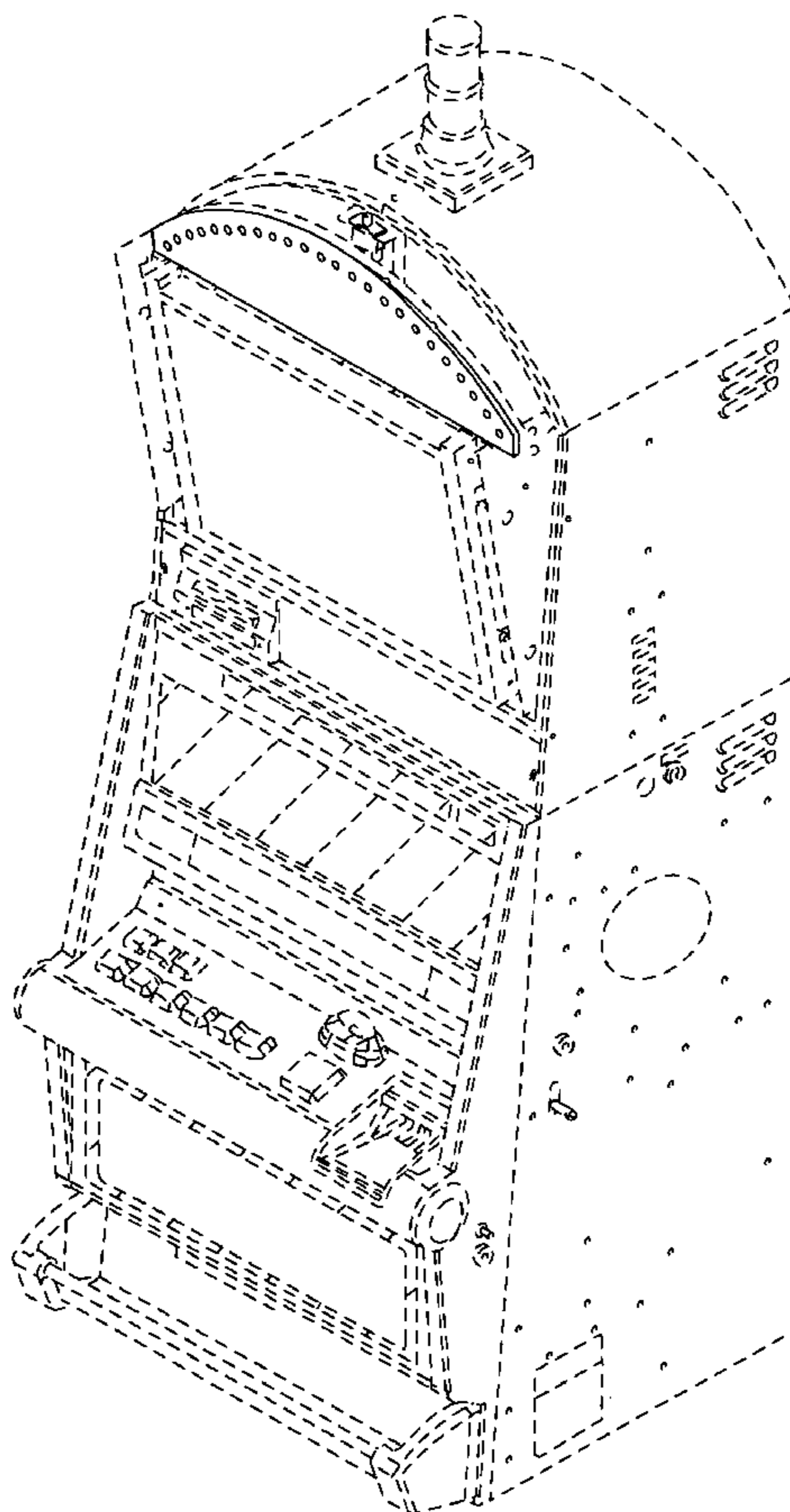
FIG. 2 is a perspective view of an embodiment of our slot machine light arrangement design;

FIG. 3 is an enlarged front elevation view of an embodiment of our slot machine light arrangement design; and,

FIG. 4 is an isolated front elevation view of an embodiment of our slot machine light arrangement design.

The broken line disclosure is for illustrative purposes only and forms no part of the claimed design.

**1 Claim, 4 Drawing Sheets**



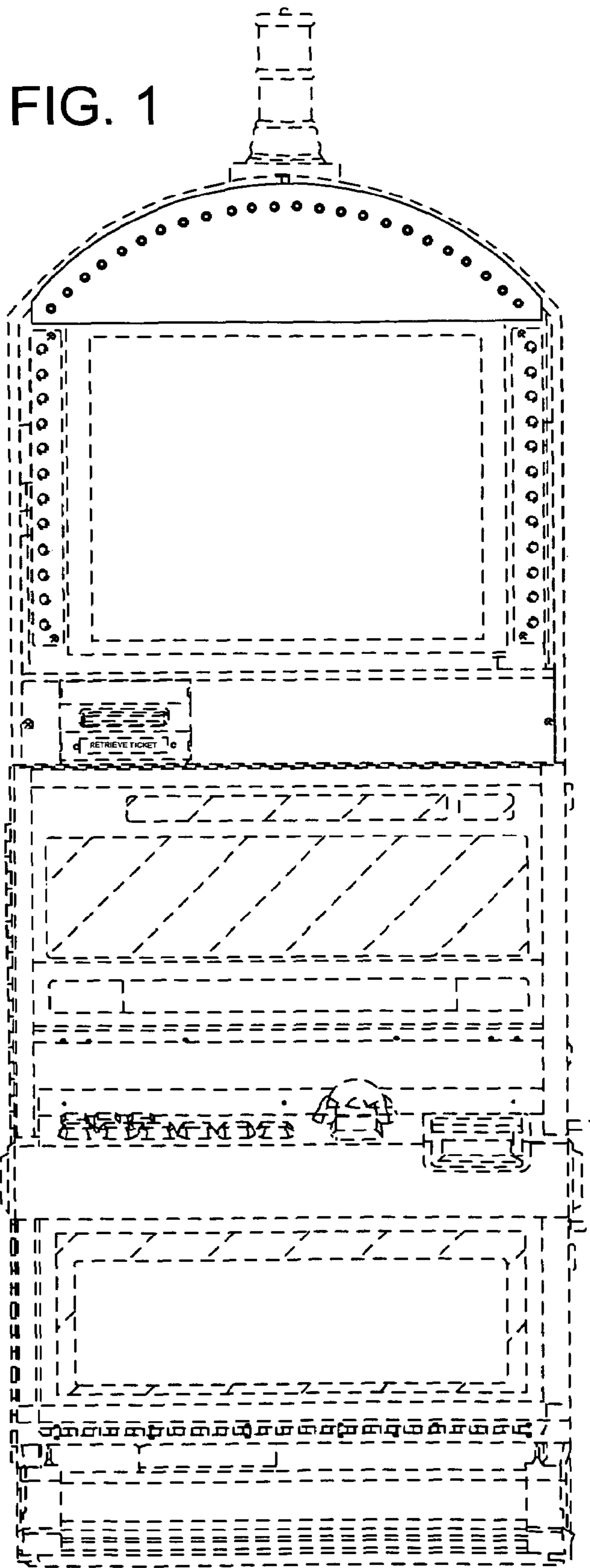


FIG. 2

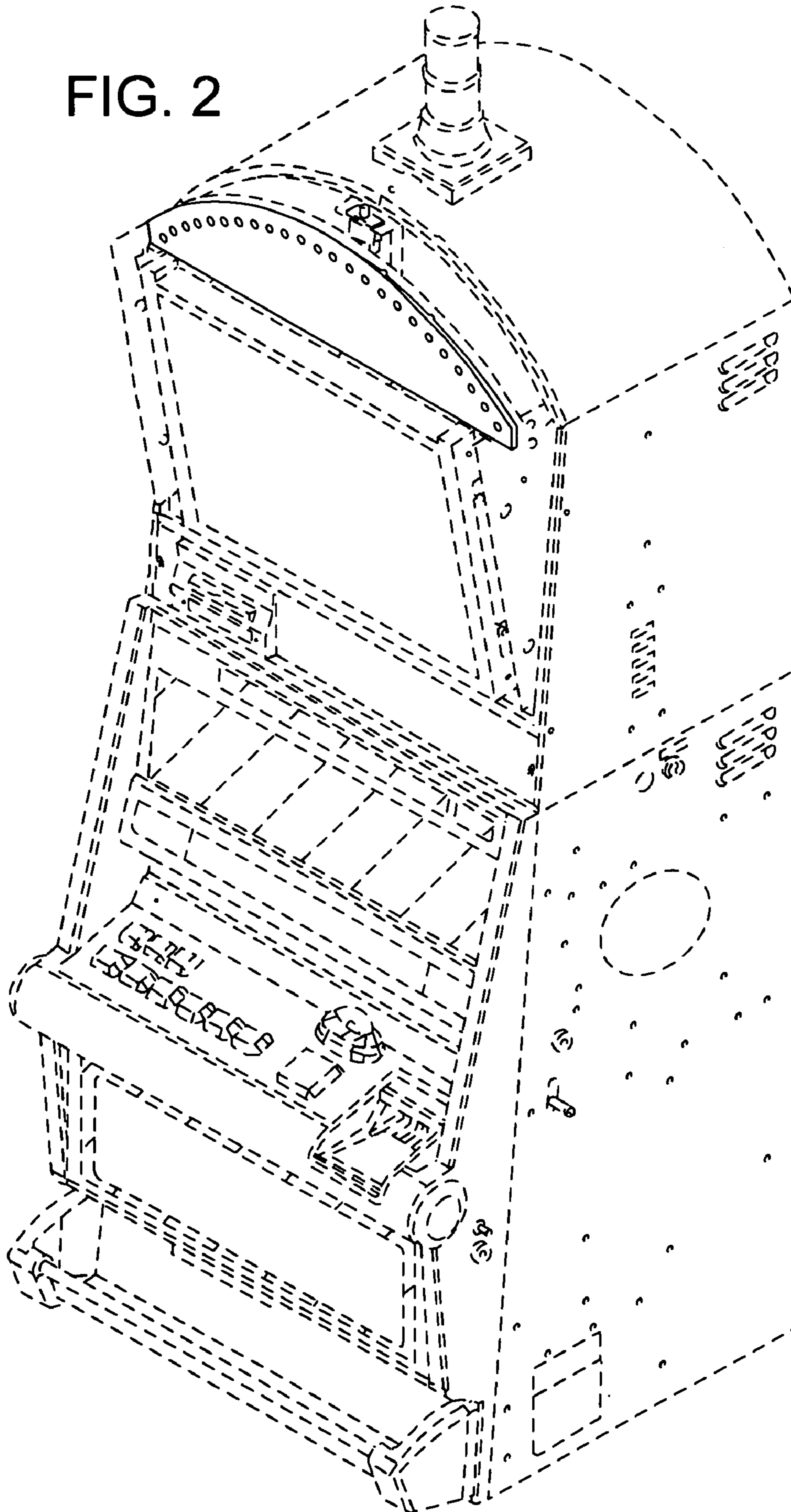


FIG. 3

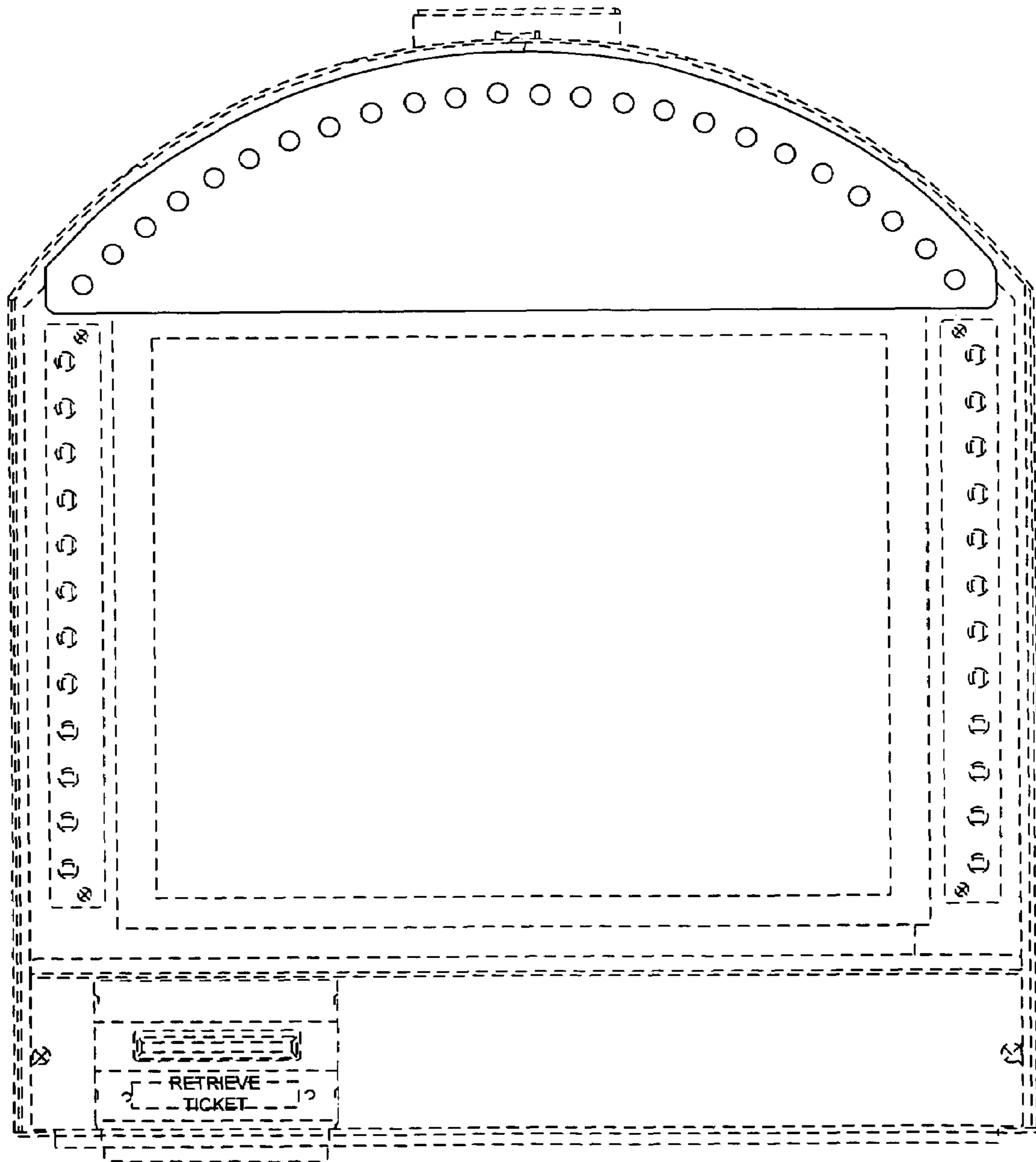


FIG. 4

