



US00D577077S

(12) **United States Design Patent**
Mitchell et al.

(10) **Patent No.:** **US D577,077 S**
(45) **Date of Patent:** **** Sep. 16, 2008**

(54) **WEDGE-SHAPED GAMING MACHINE**

(75) Inventors: **Michael J. Mitchell**, Las Vegas, NV
(US); **Karl Wudtke**, Las Vegas, NV
(US)

(73) Assignee: **Bally Gaming, Inc.**, Las Vegas, NV
(US)

(**) Term: **14 Years**

(21) Appl. No.: **29/280,747**

(22) Filed: **Jun. 6, 2007**

(51) **LOC (8) Cl.** **21-01**

(52) **U.S. Cl.** **D21/370**

(58) **Field of Classification Search** D21/325,
D21/329, 369-371, 385; D14/305, 307;
463/16-17, 20, 25, 46-47; D6/396, 422
See application file for complete search history.

(56) **References Cited**

U.S. PATENT DOCUMENTS

4,614,342 A * 9/1986 Takashima 463/11
5,456,468 A * 10/1995 Stringfellow et al. 463/46
D372,601 S * 8/1996 Roberts et al. D6/422

D383,171 S * 9/1997 Hanscom D21/369
D529,101 S * 9/2006 Kaminkow et al. D21/385
2006/0281559 A1 * 12/2006 Luciano 463/46

* cited by examiner

Primary Examiner—Sandra Morris

(74) *Attorney, Agent, or Firm*—JP Cody

(57) **CLAIM**

The ornamental design for a wedge-shaped gaming machine,
as shown and described.

DESCRIPTION

FIG. 1 is a perspective view of a wedge-shaped gaming
machine, showing our new design;

FIG. 2 is a bottom view thereof;

FIG. 3 is a front elevational view thereof;

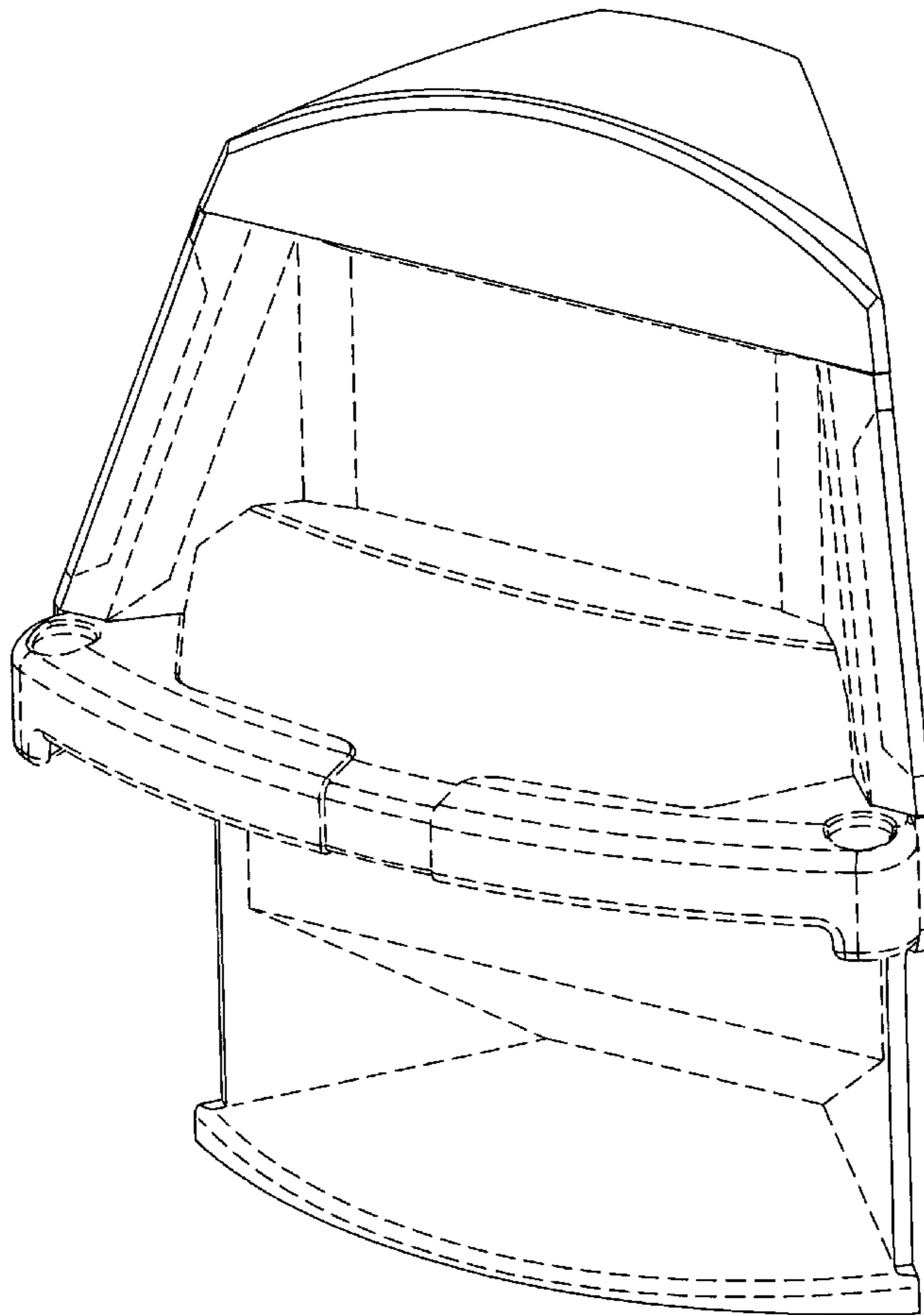
FIG. 4 is a right side elevational view thereof; and

FIG. 5 is a rear perspective view thereof; and,

FIG. 6 is a top view thereof.

Broken lines illustrate features or environmental components
that are not part of the design sought to be patented.

1 Claim, 6 Drawing Sheets



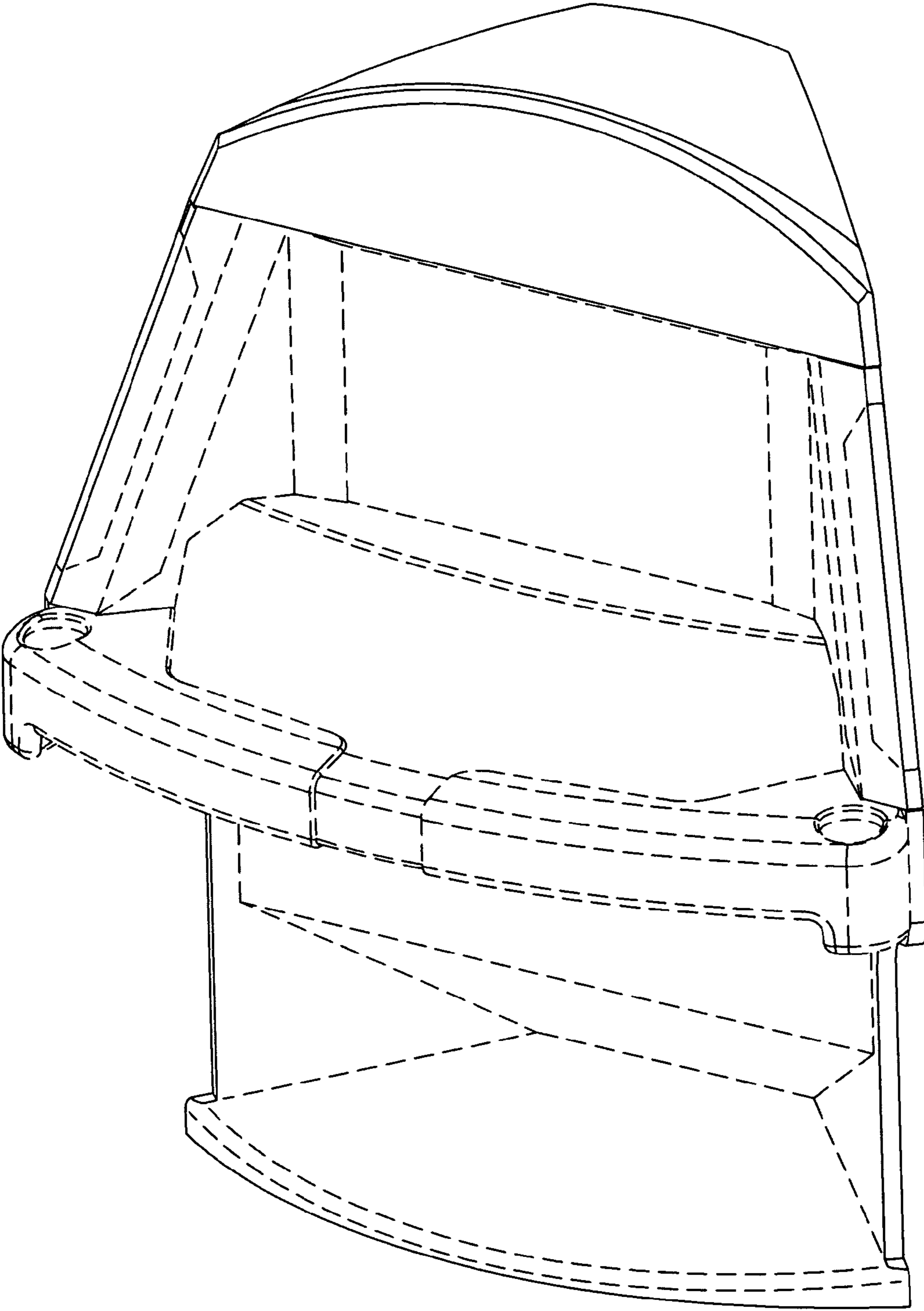


FIG. 1

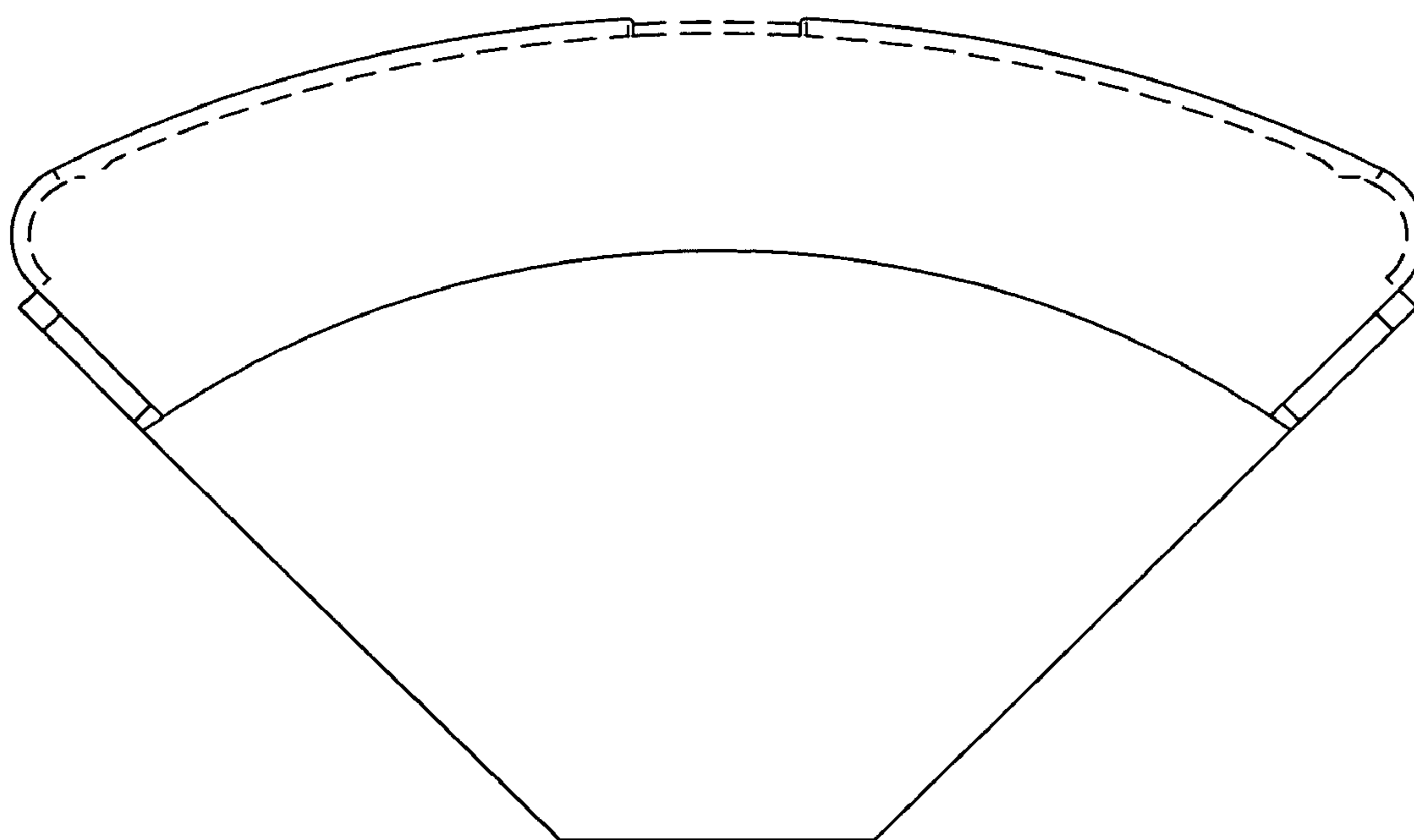


FIG.2

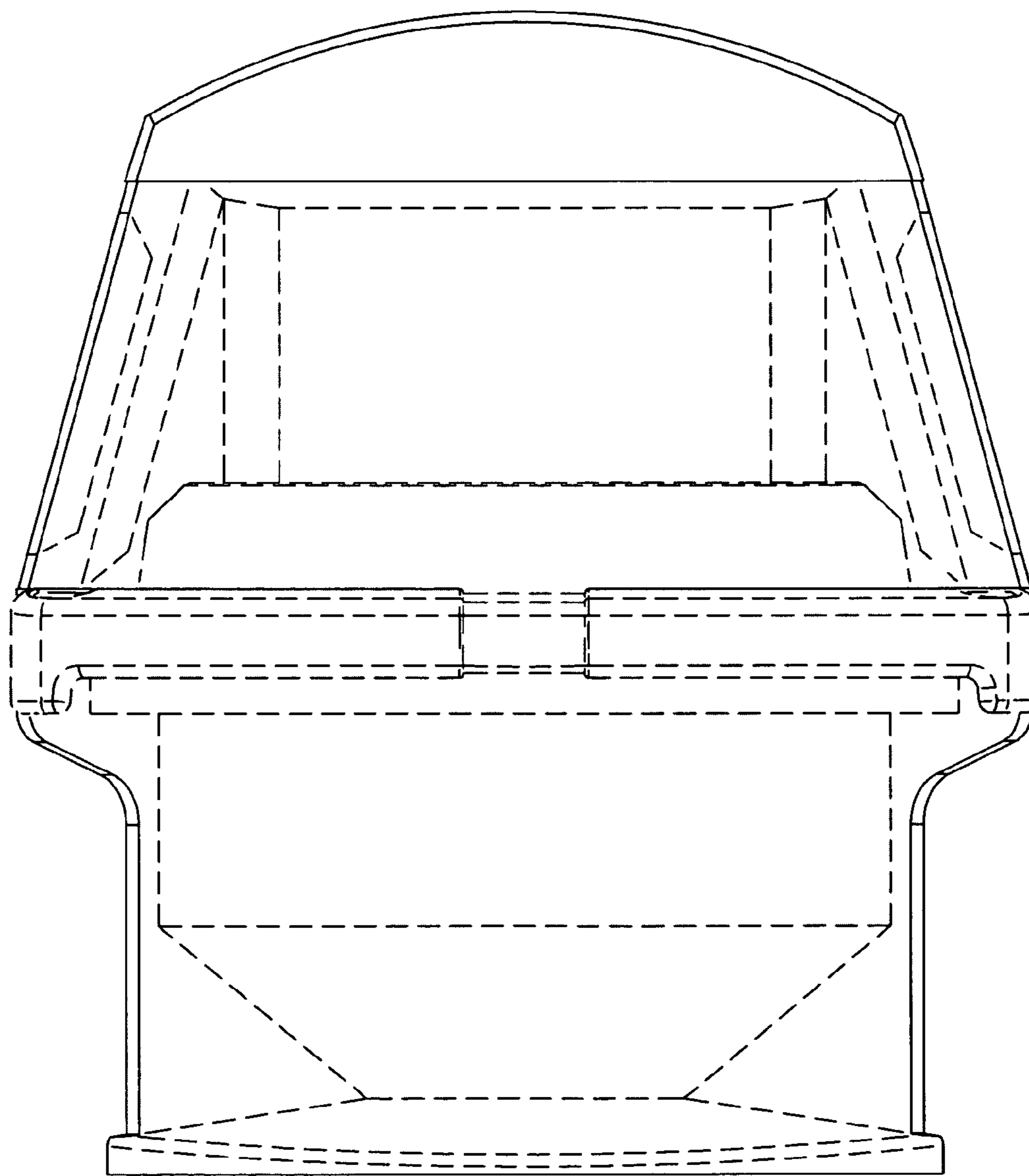


FIG.3

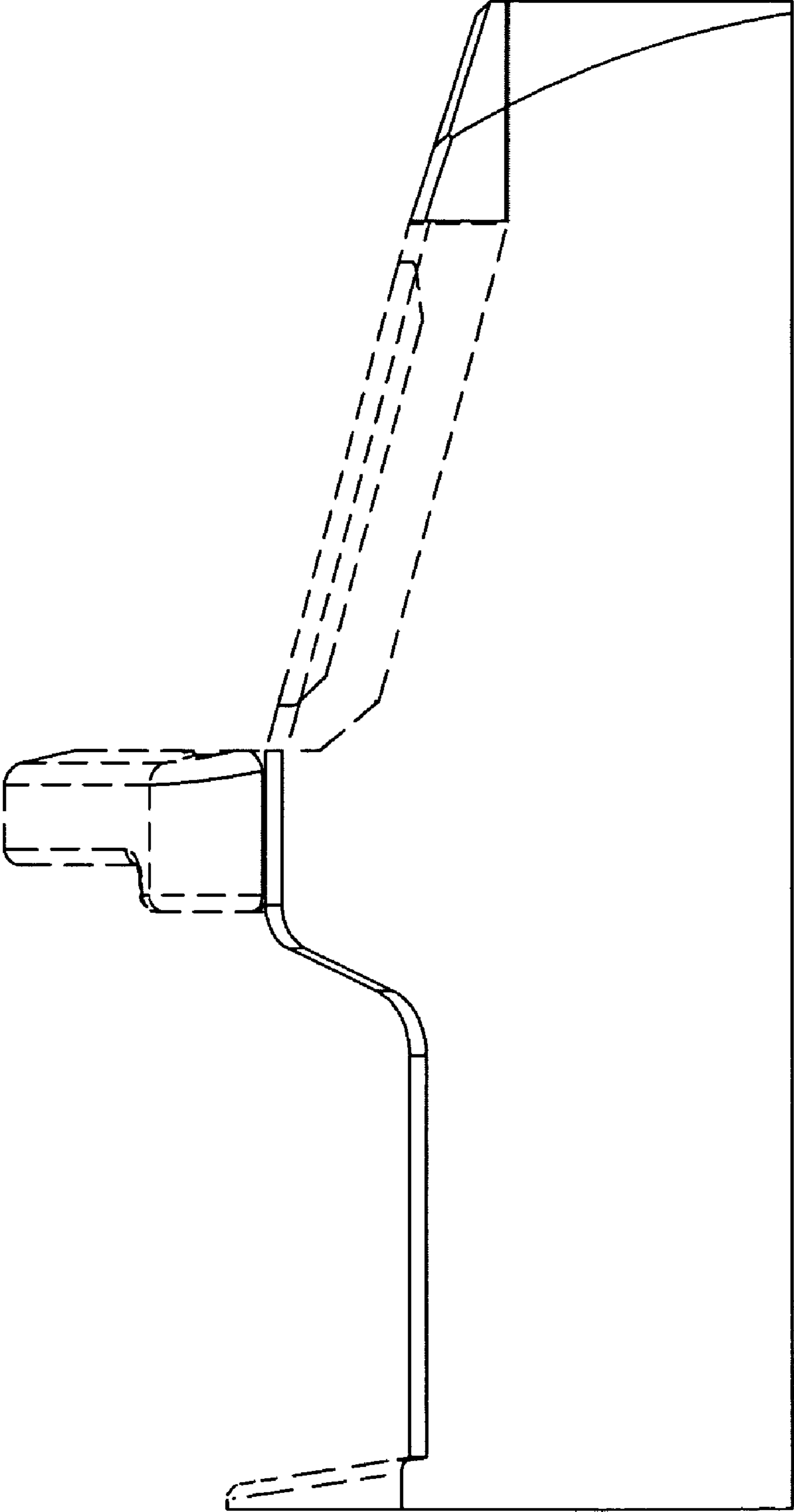


FIG. 4

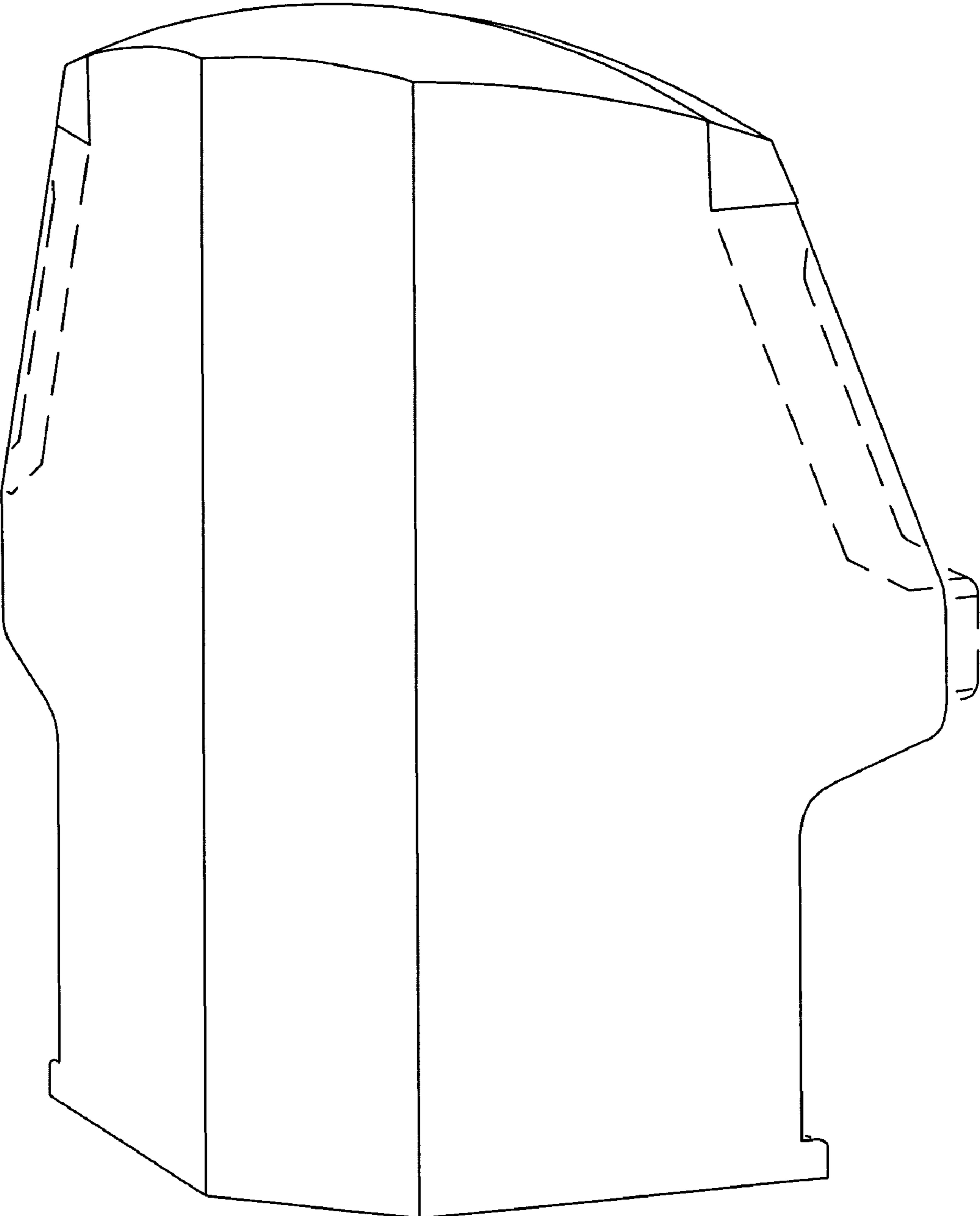


FIG. 5

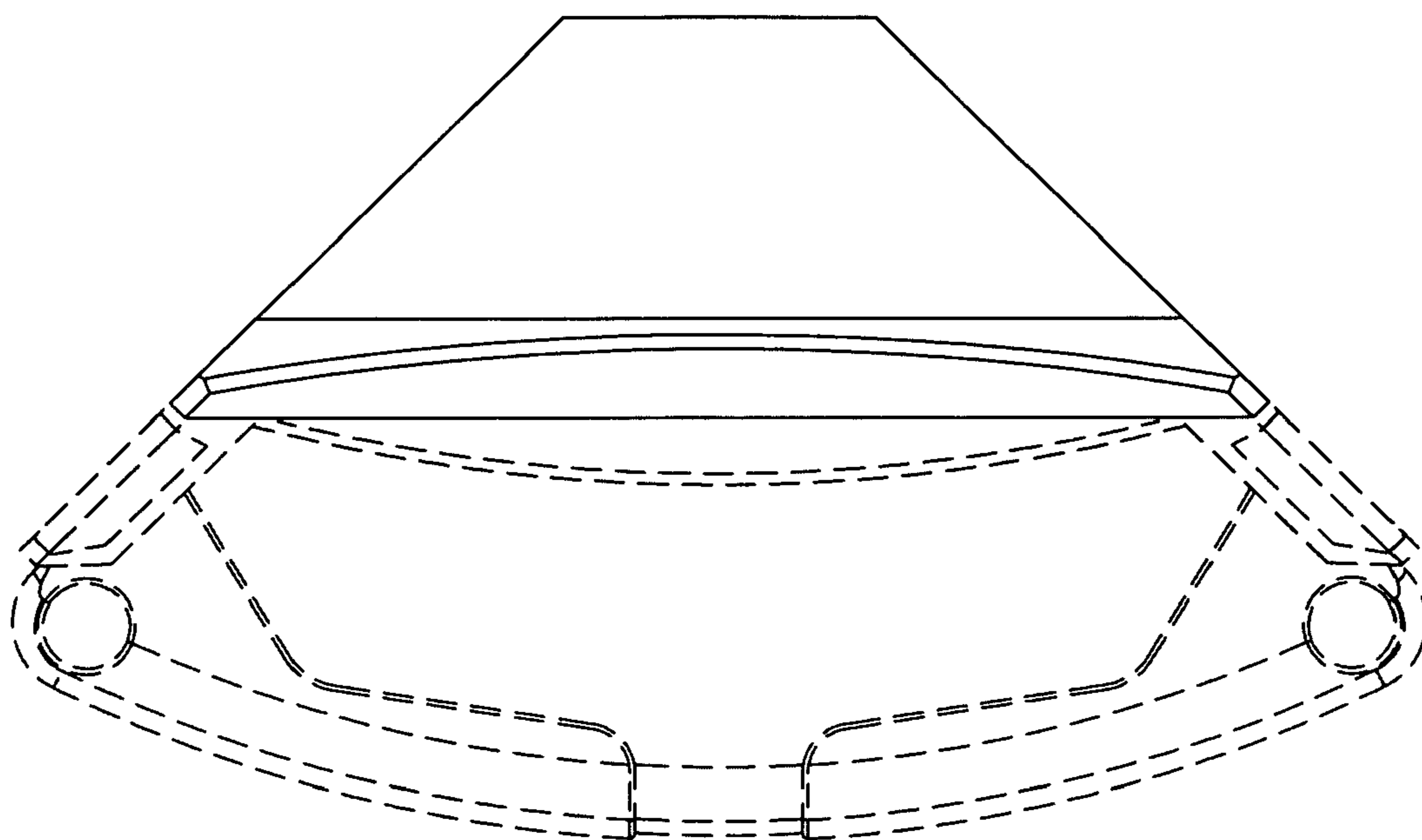


FIG.6