



US00D577076S

(12) **United States Design Patent**
Green

(10) **Patent No.:** **US D577,076 S**

(45) **Date of Patent:** **** Sep. 16, 2008**

(54) **GAMES CONSOLE CONTROLLER
ACCESSORY**

(75) Inventor: **Andy Green**, Leeds (GB)

(73) Assignee: **Goodbetterbest Ltd**, London (GB)

(**) Term: **14 Years**

(21) Appl. No.: **29/305,268**

(22) Filed: **Mar. 17, 2008**

(51) **LOC (8) Cl.** **21-01**

(52) **U.S. Cl.** **D21/333**

(58) **Field of Classification Search** D21/324–333,
D21/369, 385; D14/496, 432–434; 273/148 B;
463/1, 29–35, 46, 47, 16–22; 345/156, 905;
362/679–686, 109, 234

See application file for complete search history.

(56) **References Cited**

U.S. PATENT DOCUMENTS

5,117,339	A *	5/1992	Tortola et al.	362/109
5,188,448	A *	2/1993	Siriani et al.	362/109
5,325,280	A *	6/1994	Tortola et al.	362/234
6,171,187	B1 *	1/2001	Audebert et al.	463/37
6,262,785	B1 *	7/2001	Kim	349/58

D462,395 S * 9/2002 Hussaini et al. D21/333

D470,536 S * 2/2003 Soga D21/333

D508,090 S * 8/2005 Blackwell, III D21/333

7,046,508 B2 * 5/2006 Lin 361/683

D552,688 S * 10/2007 Hussaini et al. D21/333

D555,667 S * 11/2007 Hussaini et al. D14/496

* cited by examiner

Primary Examiner—Prabhakar Deshmukh

(74) *Attorney, Agent, or Firm*—Christopher & Weisberg, P.A.

(57) **CLAIM**

The ornamental design for a games console controller accessory, as shown and described.

DESCRIPTION

FIG. 1 is front view of the inventions

FIG. 2 is a top view thereof;

FIG. 3 is side view thereof, the opposite side being a mirror image;

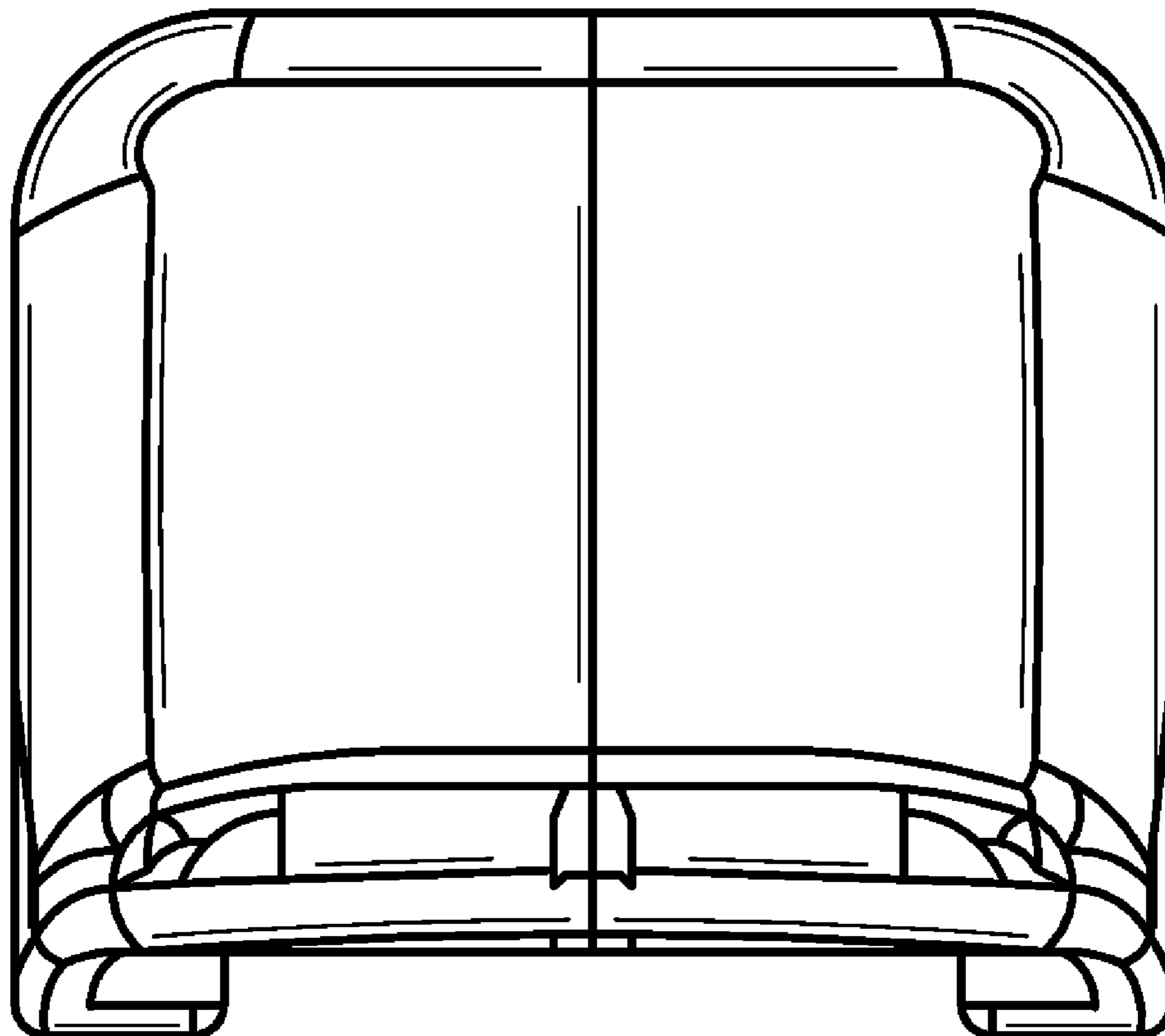
FIG. 4 is top side perspective view thereof;

FIG. 5 is a bottom side perspective view thereof;

FIG. 6 is another side perspective view thereof; and,

FIG. 7 is a front side perspective view thereof.

1 Claim, 4 Drawing Sheets



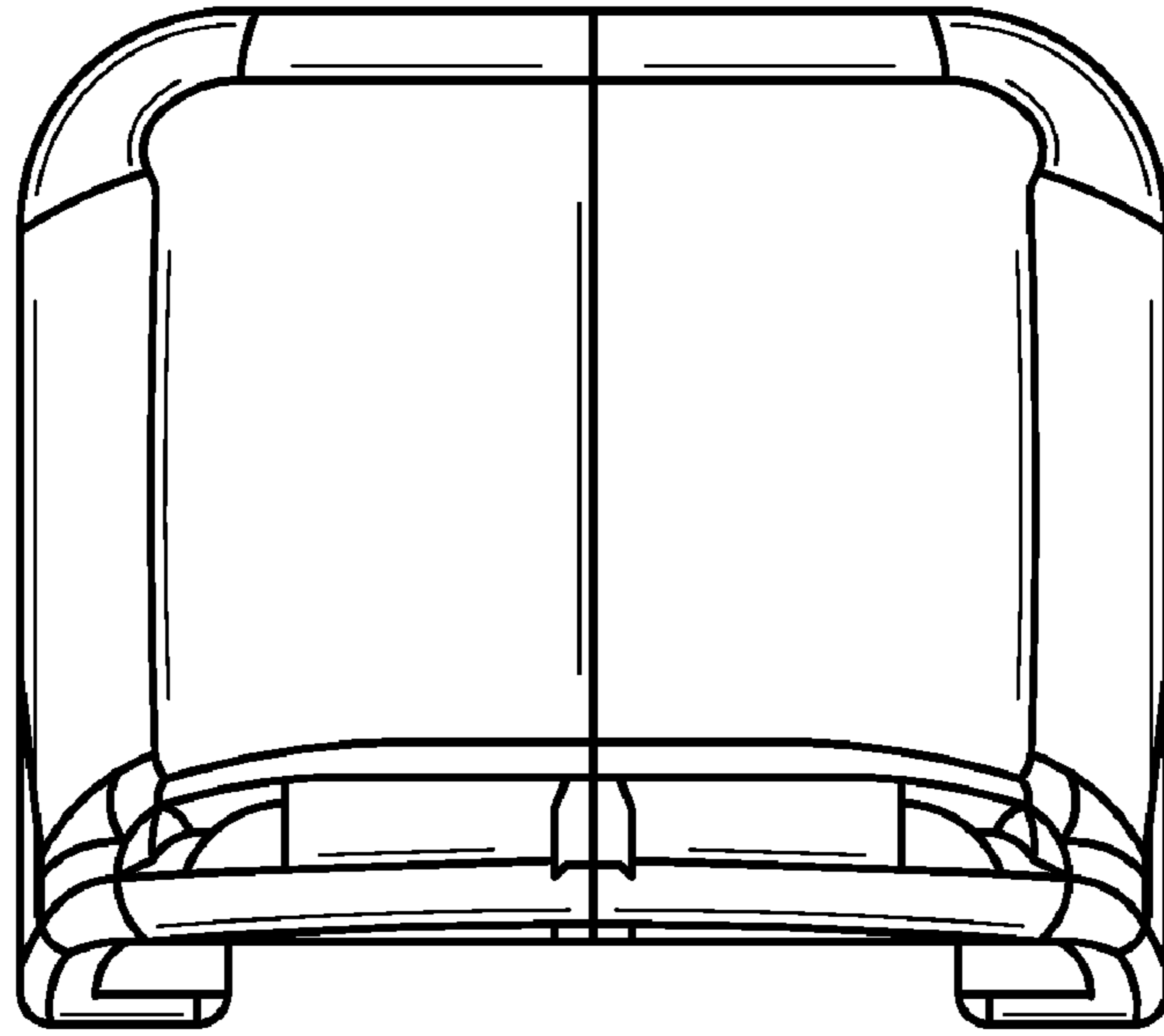


FIG. 1

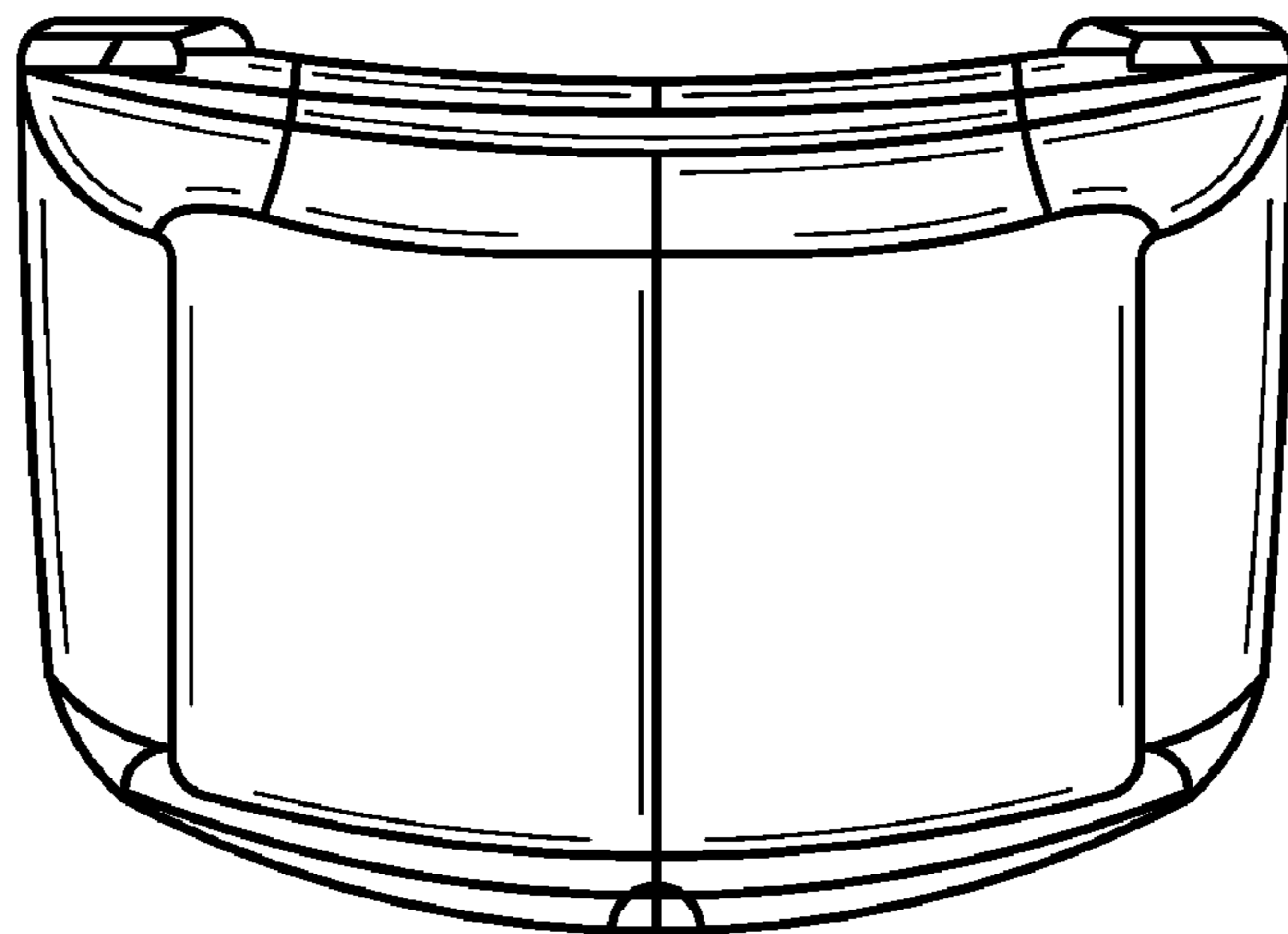


FIG. 2

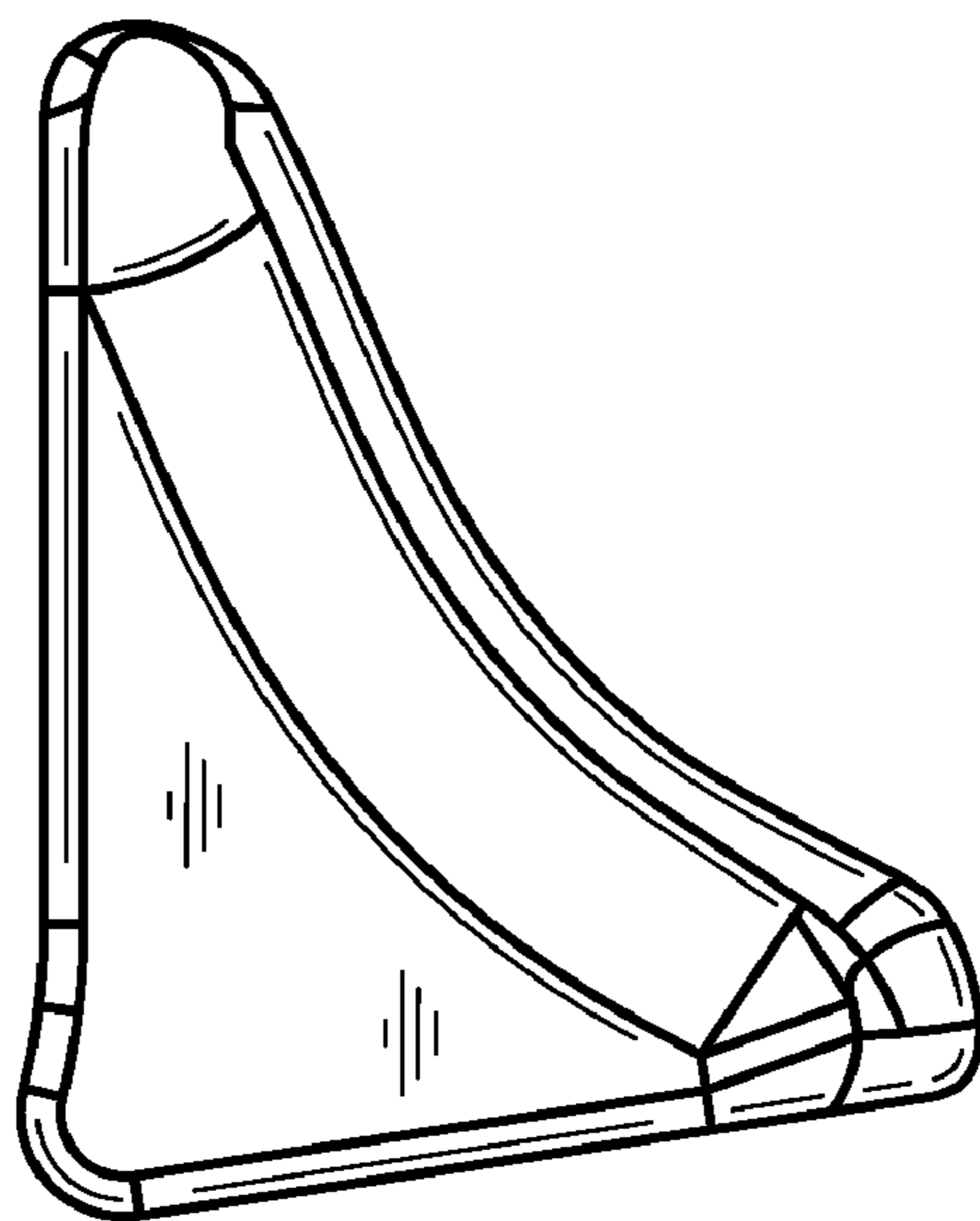


FIG. 3

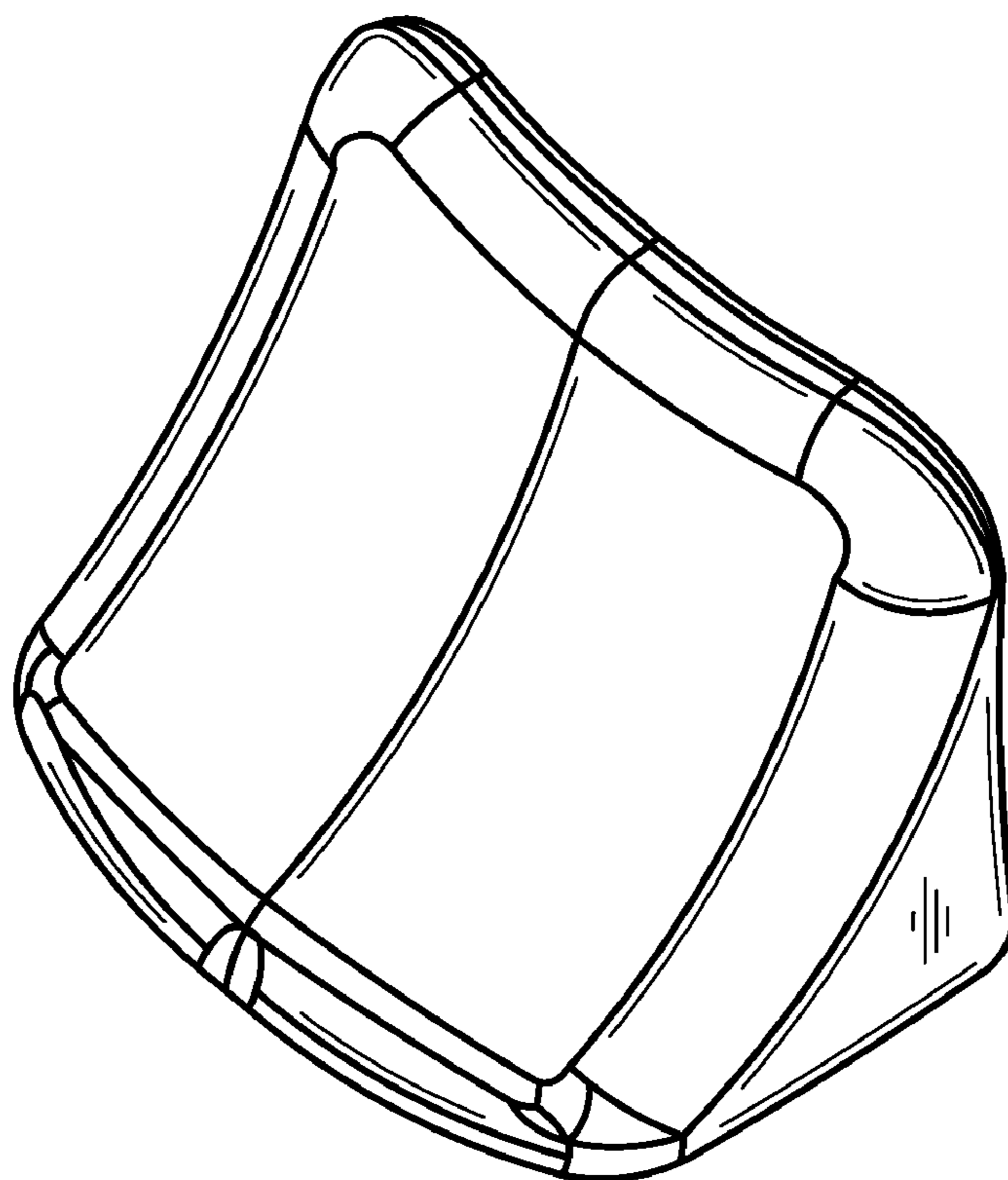


FIG. 4

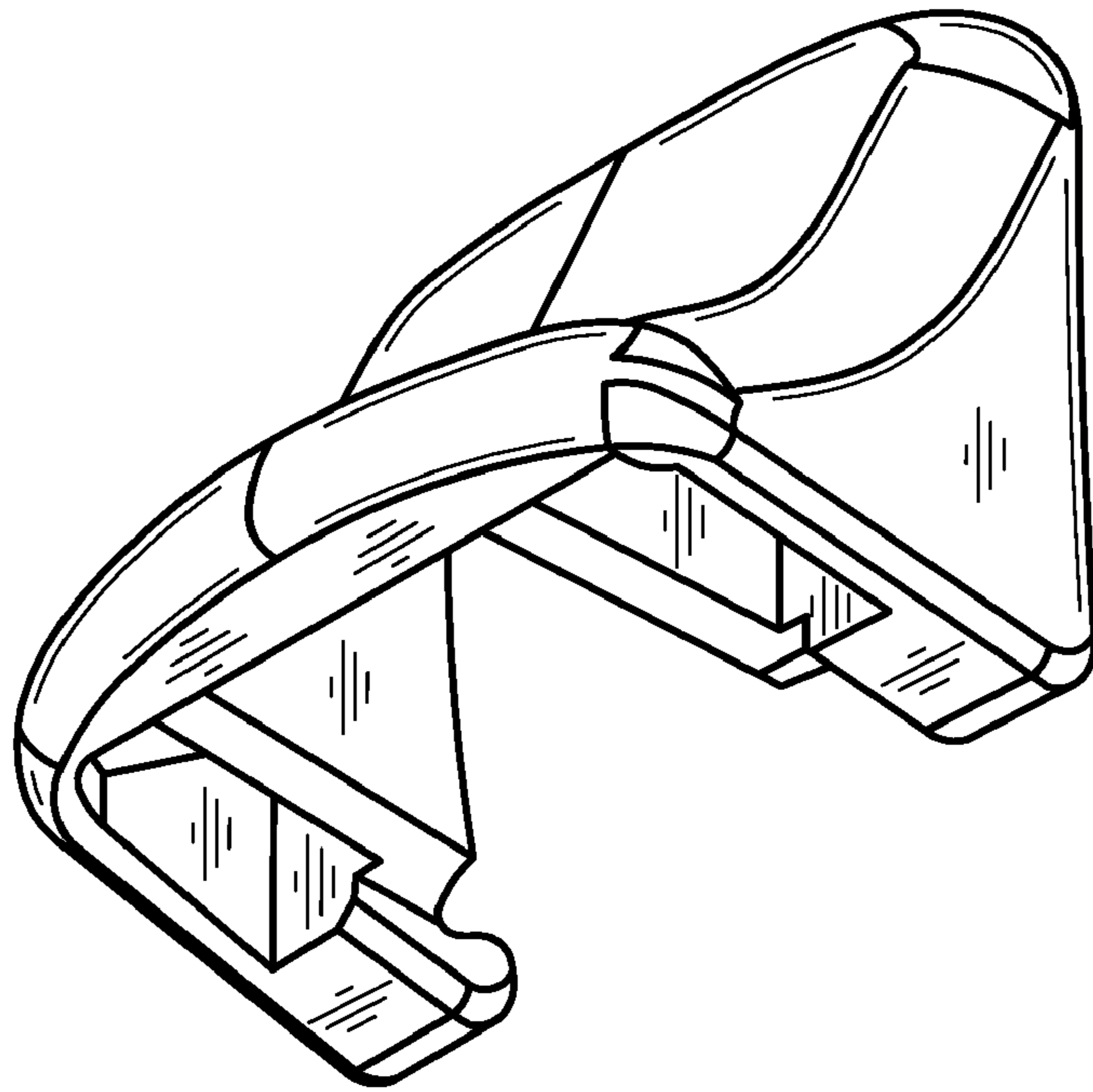


FIG. 5

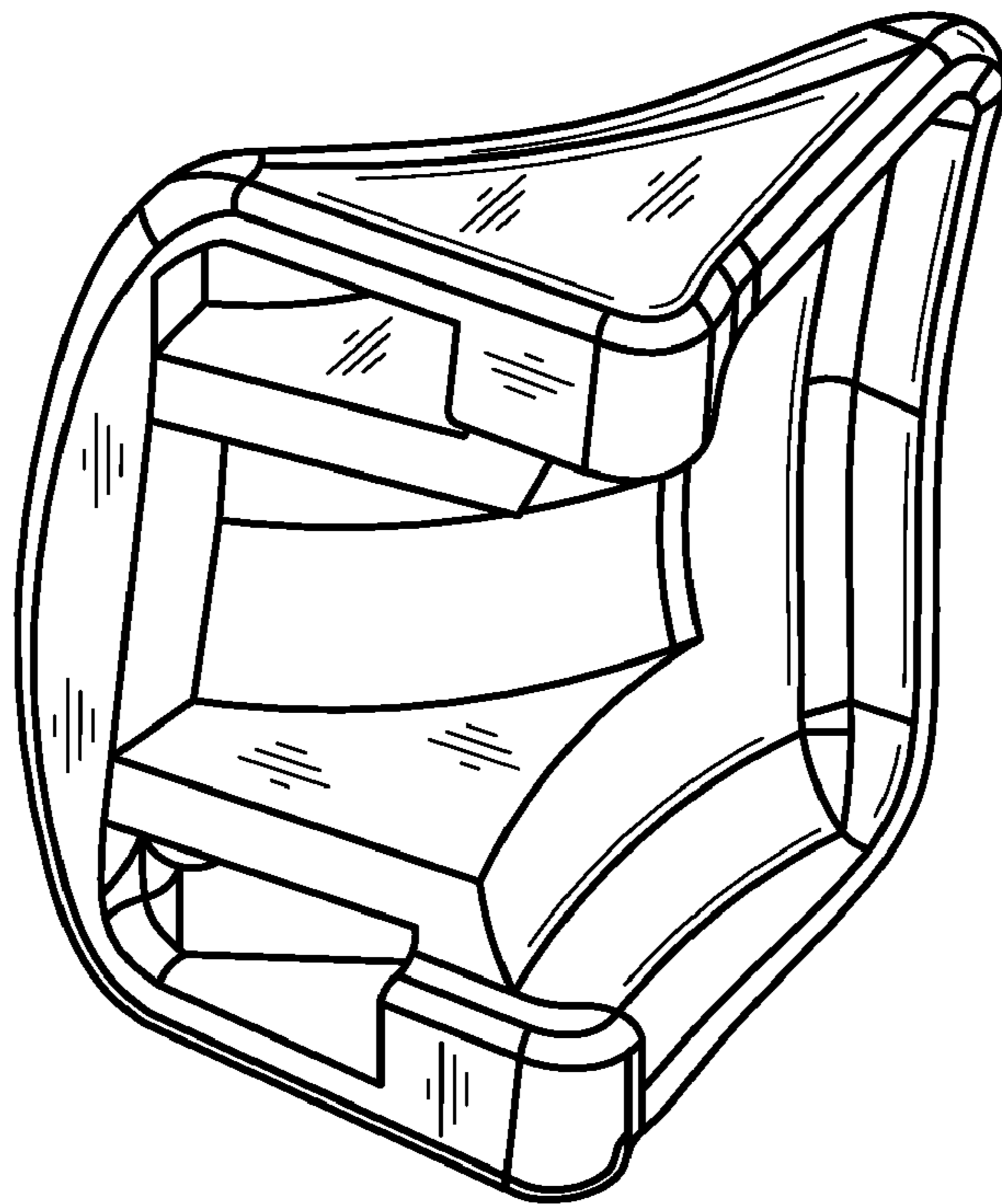


FIG. 6

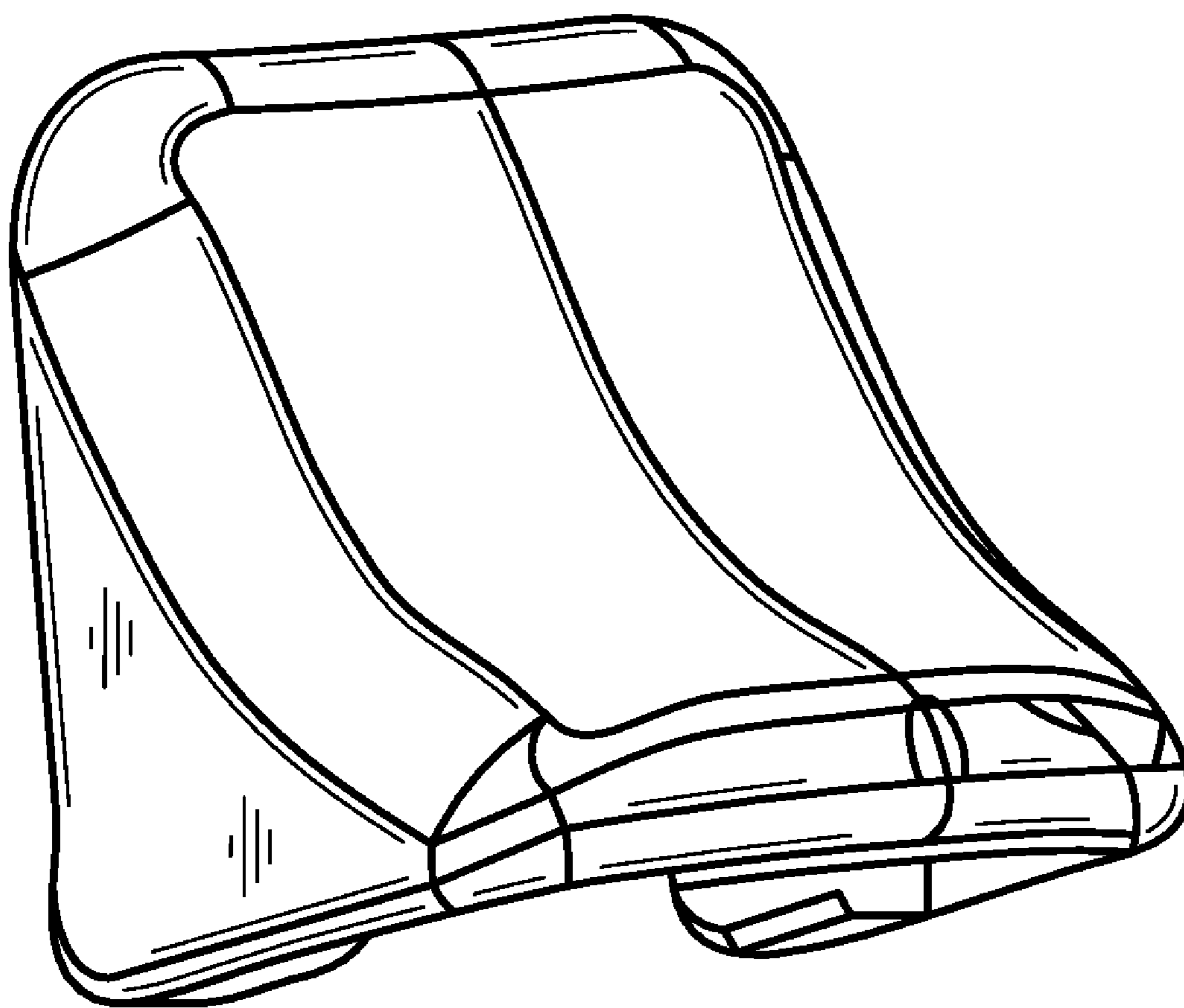


FIG. 7