



US00D577075S

(12) **United States Design Patent**
Bode

(10) **Patent No.:** **US D577,075 S**

(45) **Date of Patent:** **** Sep. 16, 2008**

(54) **ROTATABLE SIGN HOLDER**

(75) Inventor: **Troy Bode**, Indianapolis, IN (US)

(73) Assignee: **Deflecto Corporation**, Fishers, IN (US)

(**) Term: **14 Years**

(21) Appl. No.: **29/284,736**

(22) Filed: **Sep. 14, 2007**

(51) **LOC (8) Cl.** **20-03**

(52) **U.S. Cl.** **D20/43; D20/21; D6/310**

(58) **Field of Classification Search** D20/10,
D20/15, 21, 40-43, 99; 40/1, 341, 493, 495,
40/503, 506, 611.01, 611.06, 611.07, 640.02,
40/644, 661, 662, 700, 747, 765; D6/300,
D6/310, 314; D19/86, 90

See application file for complete search history.

(56) **References Cited**

U.S. PATENT DOCUMENTS

4,594,802	A *	6/1986	Field	40/661
D350,566	S *	9/1994	Pearson	D20/40
5,537,767	A *	7/1996	Schneider et al.	40/611.01
D375,980	S *	11/1996	Current	D20/40
D392,686	S *	3/1998	Sarkisian et al.	D20/41

* cited by examiner

Primary Examiner—Caron D. Veynar

Assistant Examiner—Mary Ann Calabrese

(74) *Attorney, Agent, or Firm*—Sonnenschein Nath & Rosenthal LLP; Brian R. McGinley

(57) **CLAIM**

The ornamental design for a rotatable sign holder, as shown and described.

DESCRIPTION

FIG. 1 is a perspective view of a rotatable sign holder showing the new design;

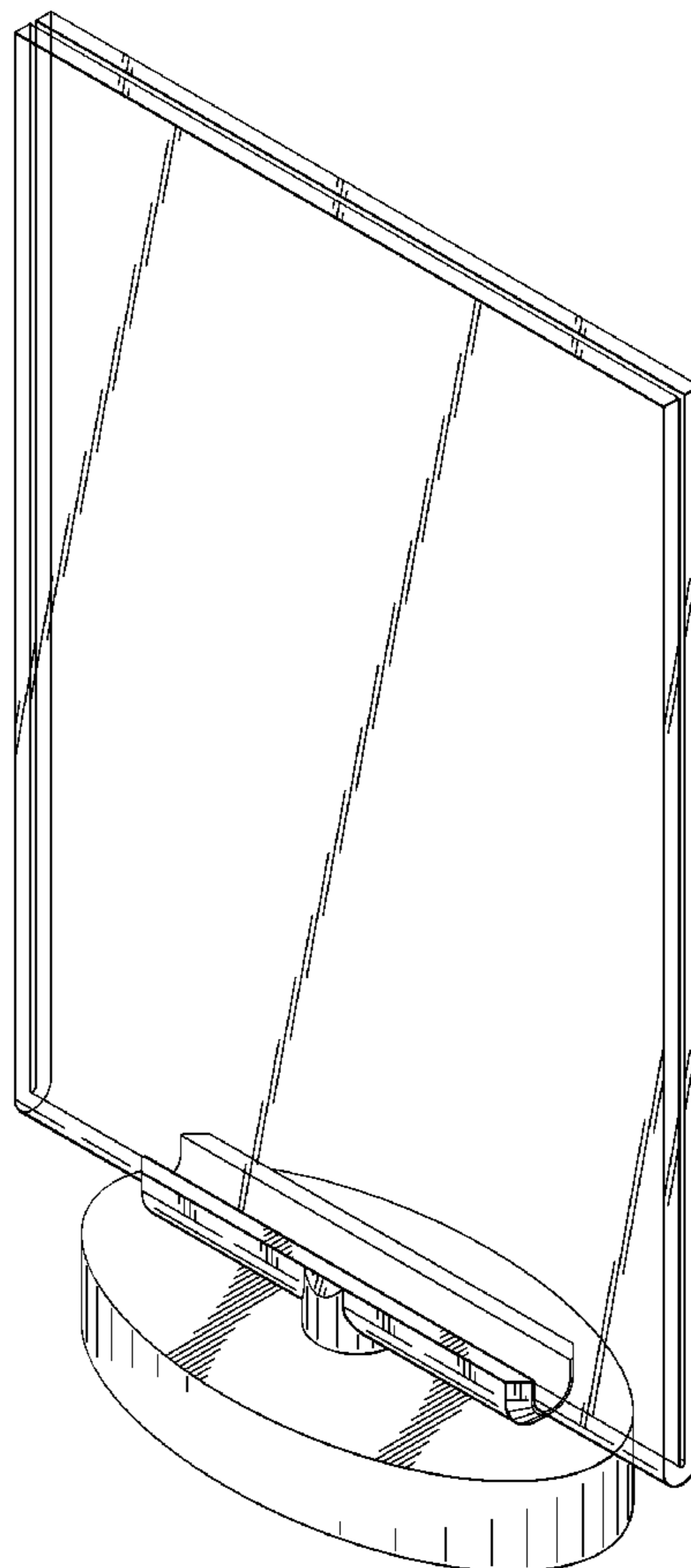
FIG. 2 is a front view of the rotatable sign holder shown in FIG. 1;

FIG. 3 is a right, side elevational view of the rotatable sign holder shown in FIG. 1 the left, side elevational view of the rotatable sign holder is a mirror image of the view shown in FIG. 3;

FIG. 4 is a top view of the rotatable sign holder shown in FIG. 1; and,

FIG. 5 is a bottom view of the rotatable sign holder shown in FIG. 1.

1 Claim, 4 Drawing Sheets



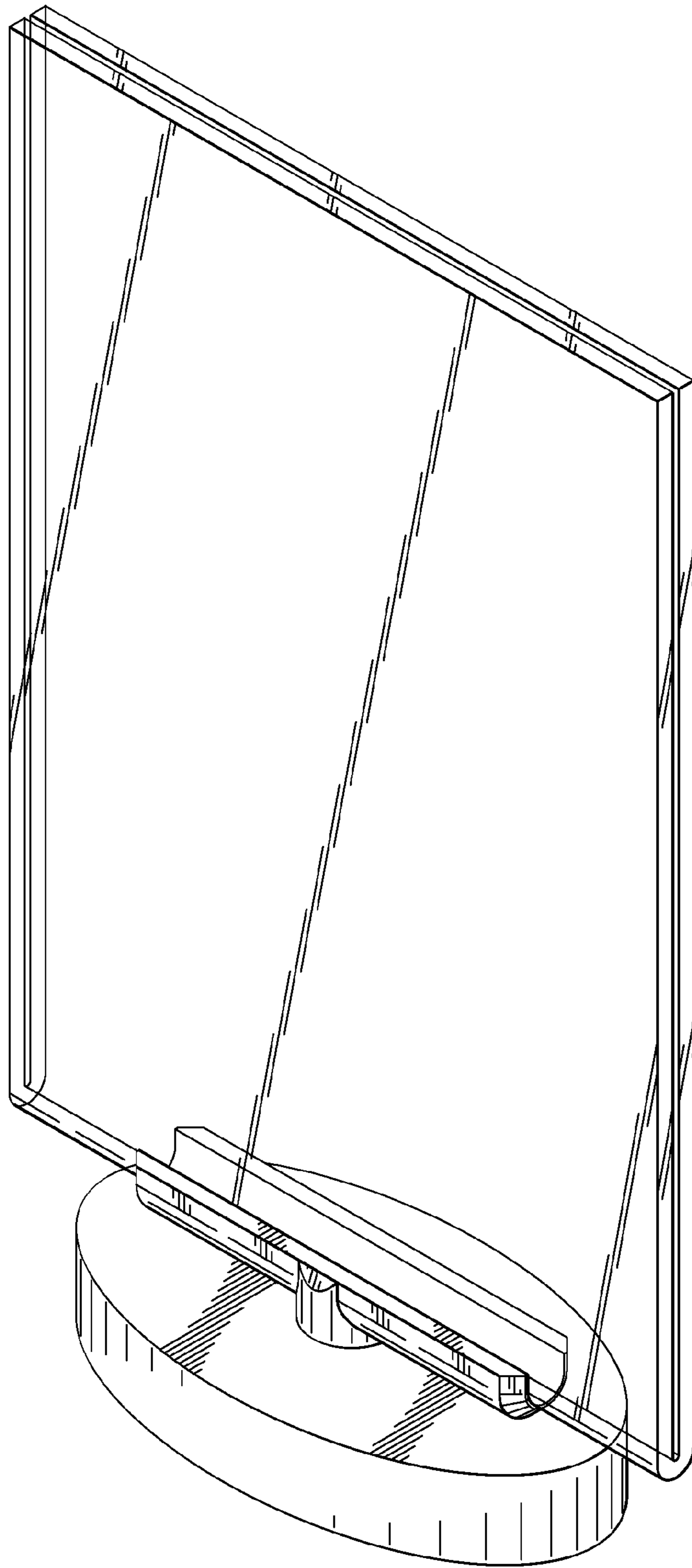


FIG. 1

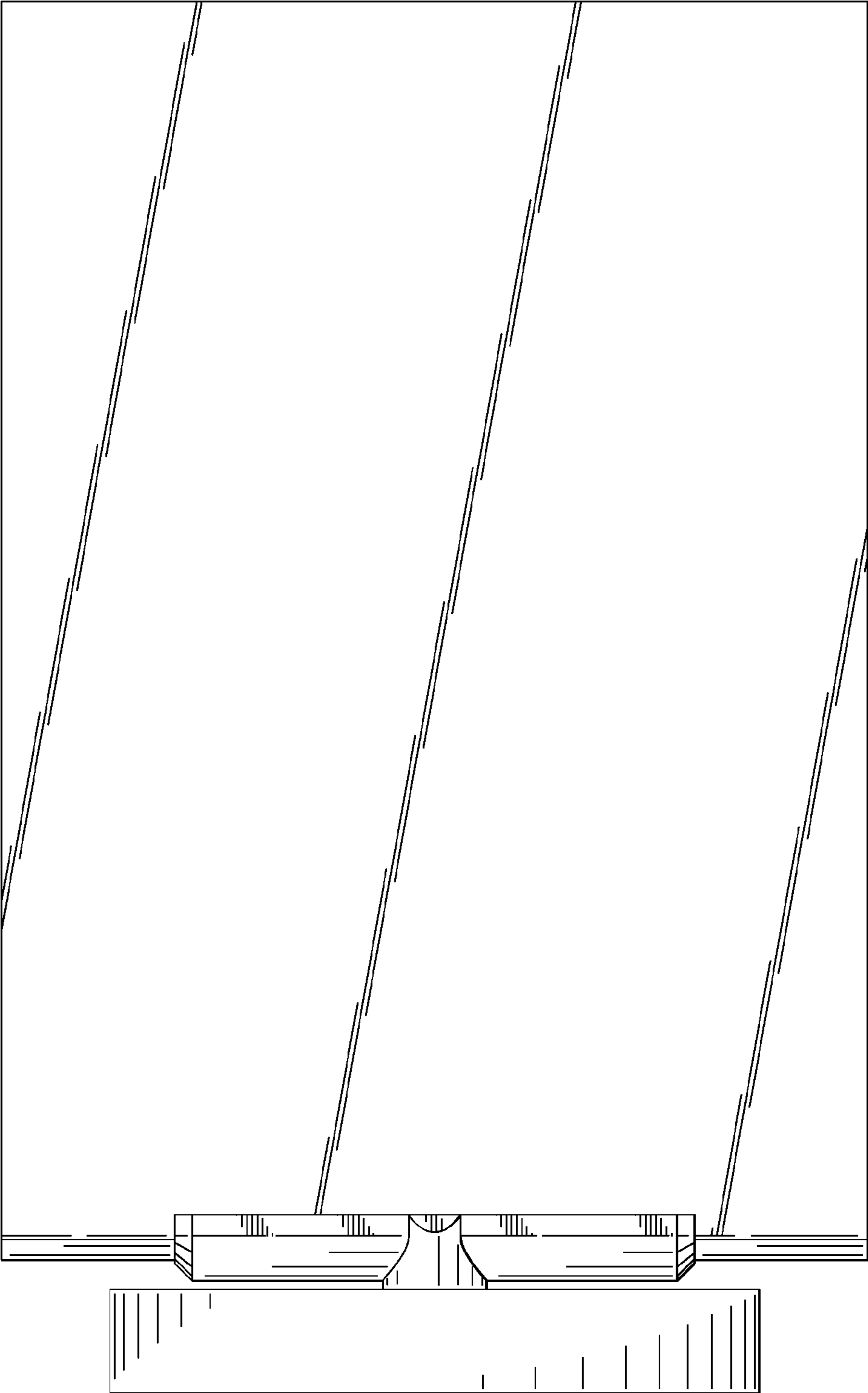


FIG. 2

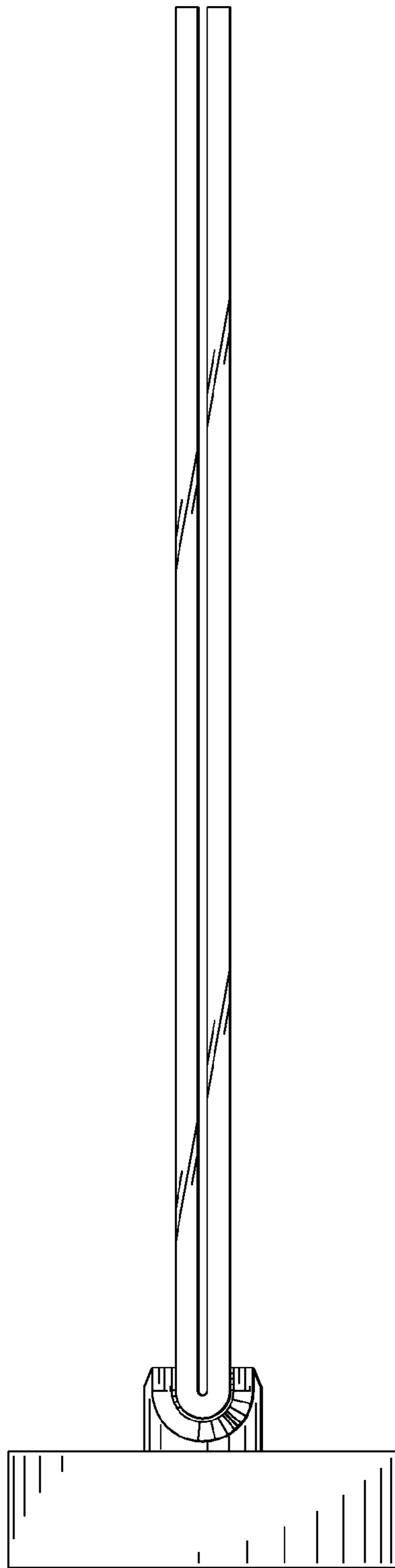


FIG. 3

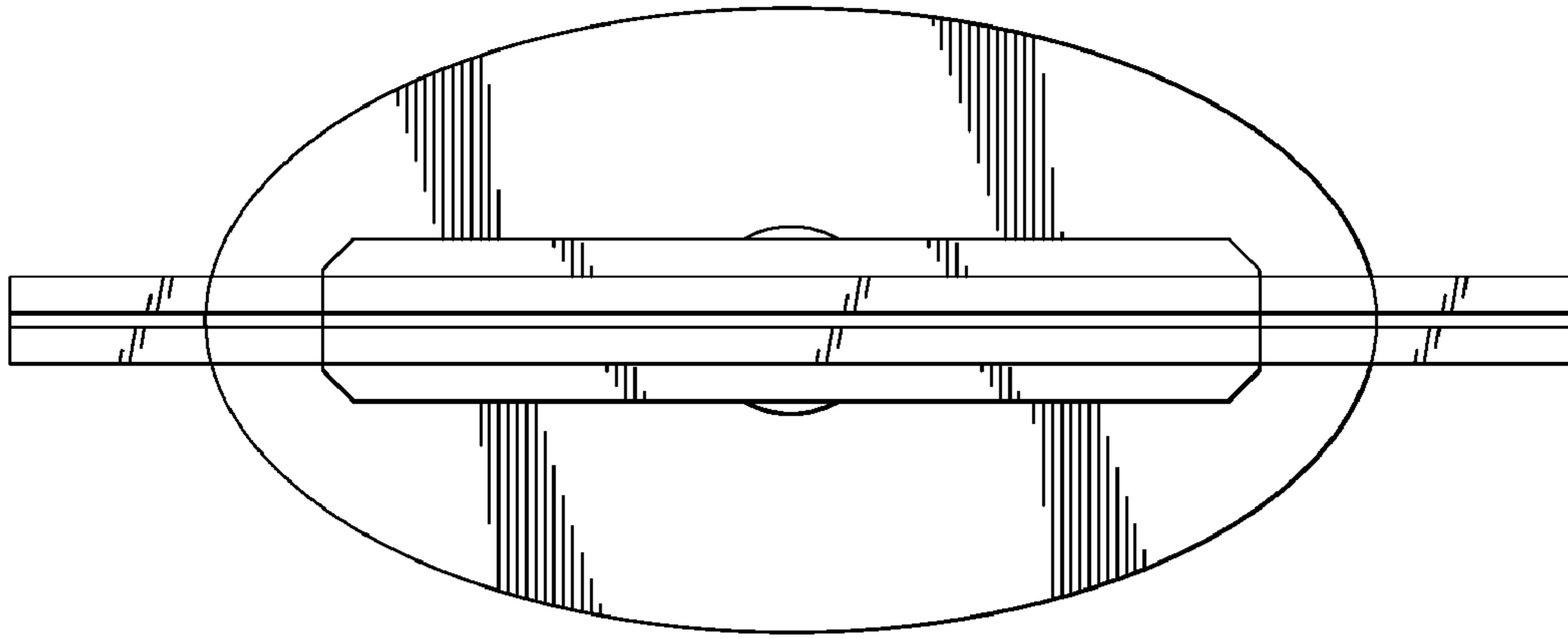


FIG. 4

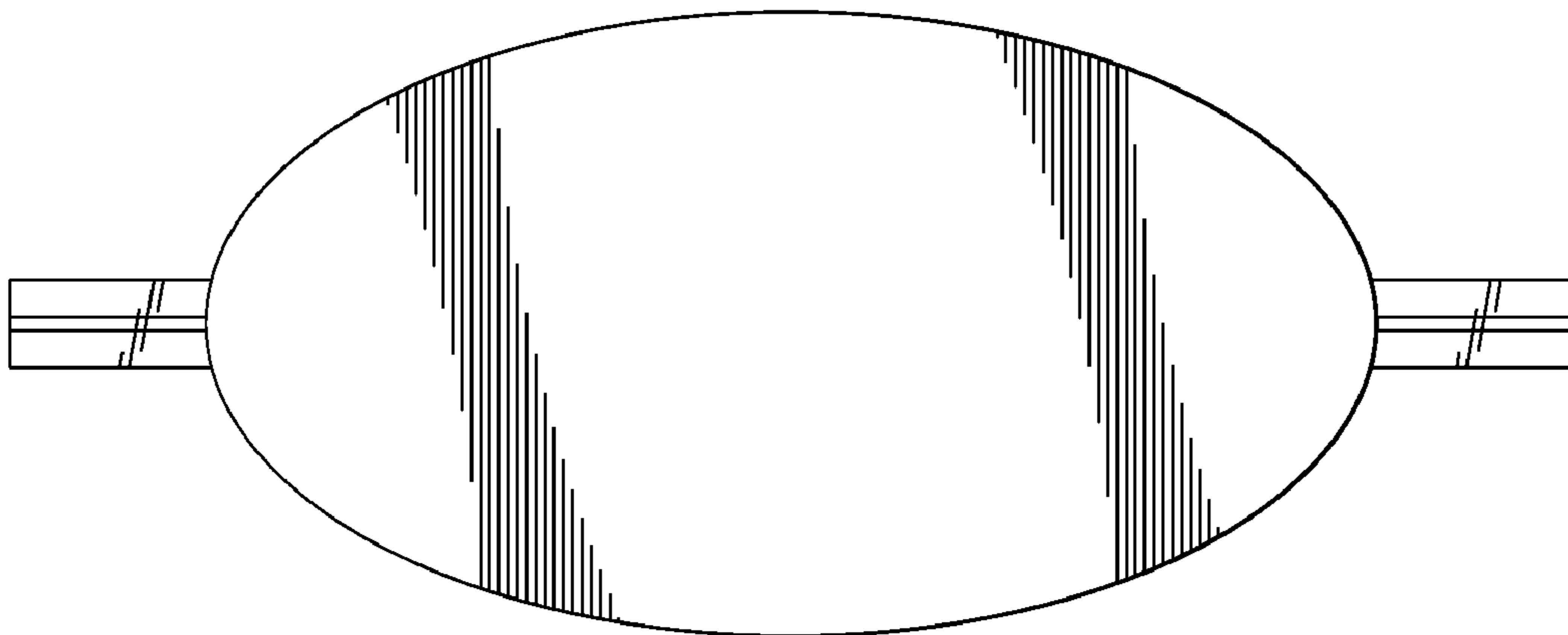


FIG. 5