

US00D577071S

(12) **United States Design Patent**  
**Qiu et al.**

(10) **Patent No.:** **US D577,071 S**

(45) **Date of Patent:** **\*\* Sep. 16, 2008**

(54) **PEN**

D562,394 S \* 2/2008 Qiu et al. .... D19/51  
D566,175 S \* 4/2008 Qiu et al. .... D19/44

(75) Inventors: **Zhiming Qiu**, Ningbo (CN); **Yong Zhang**, Ningbo (CN)

**OTHER PUBLICATIONS**

Qiu, Z., et al., U.S. Appl. No. 29/250,987, filed Dec. 7, 2006.  
Qiu, Z., et al., U.S. Appl. No. 29/277,820, filed Mar. 9, 2007.

(73) Assignee: **Beifa Group Co., Ltd.**, Ningbo (CN)

\* cited by examiner

(\*\*) Term: **14 Years**

*Primary Examiner*—Elizabeth A. Albert  
*Assistant Examiner*—Kelley A Donnelly

(21) Appl. No.: **29/277,822**

(74) *Attorney, Agent, or Firm*—Christensen O'Connor Johnson Kindness PLLC

(22) Filed: **Mar. 9, 2007**

(30) **Foreign Application Priority Data**

(57) **CLAIM**

Sep. 18, 2006 (CN) ..... 2006 3 0146803

The ornamental design for a pen, as shown and described.

(51) **LOC (8) Cl.** ..... **19-06**

**DESCRIPTION**

(52) **U.S. Cl.** ..... **D19/51**

(58) **Field of Classification Search** ..... D19/41–51,  
D19/53, 54, 55; 401/6–7, 88, 99, 100, 104,  
401/109, 209

FIG. 1 is a lower front left perspective view of a pen showing our new design;

See application file for complete search history.

FIG. 2 is an upper right perspective view of the pen shown in FIG. 1, with the cap removed and placed on the opposite end of the pen;

(56) **References Cited**

**U.S. PATENT DOCUMENTS**

D366,902 S \* 2/1996 Takahashi ..... D19/51  
D444,171 S \* 6/2001 McCullough ..... D19/42  
D454,366 S 3/2002 Qiu  
D465,237 S \* 11/2002 Qiu ..... D19/43  
D469,806 S \* 2/2003 Chan ..... D19/46  
D496,398 S \* 9/2004 Greenberg ..... D19/43  
7,059,796 B2 \* 6/2006 Lewis et al. .... 401/107  
D552,675 S \* 10/2007 Zhang ..... D19/48  
D559,313 S \* 1/2008 Qiu et al. .... D19/48  
D559,314 S \* 1/2008 Qiu et al. .... D19/48

FIG. 3 is an exploded lower front right perspective view of the pen shown in FIG. 1;

FIG. 4 is a top plan view thereof;

FIG. 5 is a bottom plan view thereof;

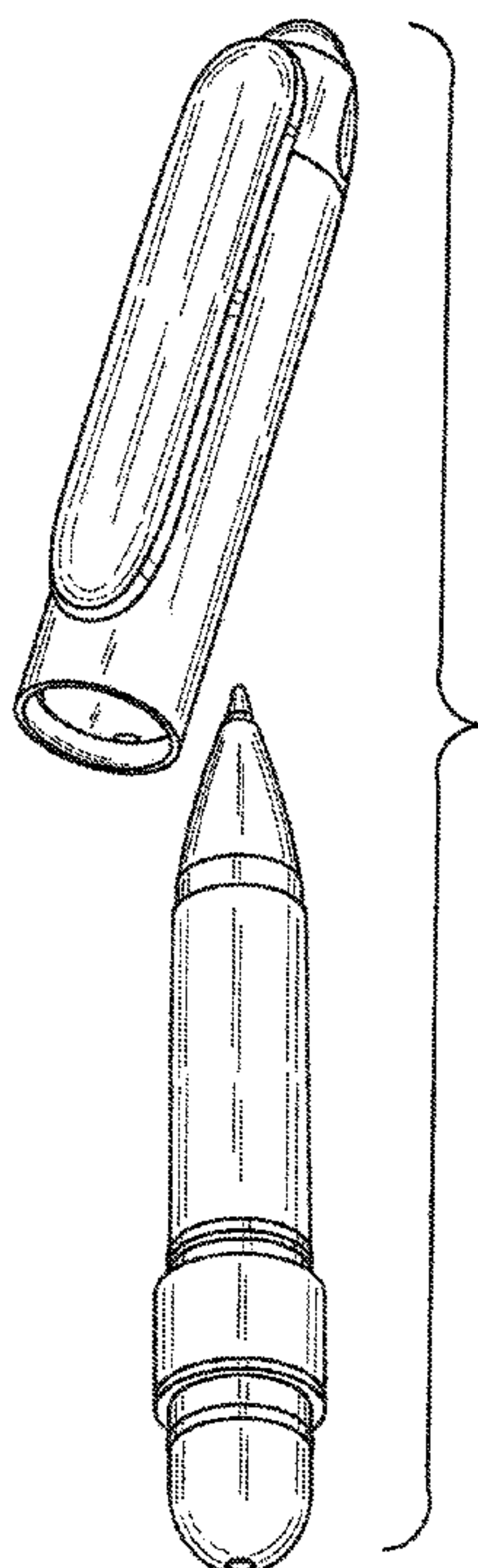
FIG. 6 is a left side elevation view thereof;

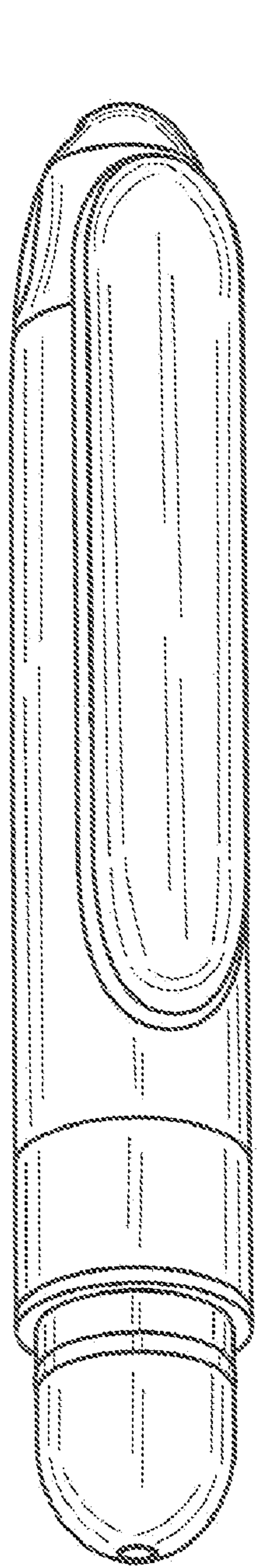
FIG. 7 is a front elevation view thereof;

FIG. 8 is a right side elevation view thereof; and,

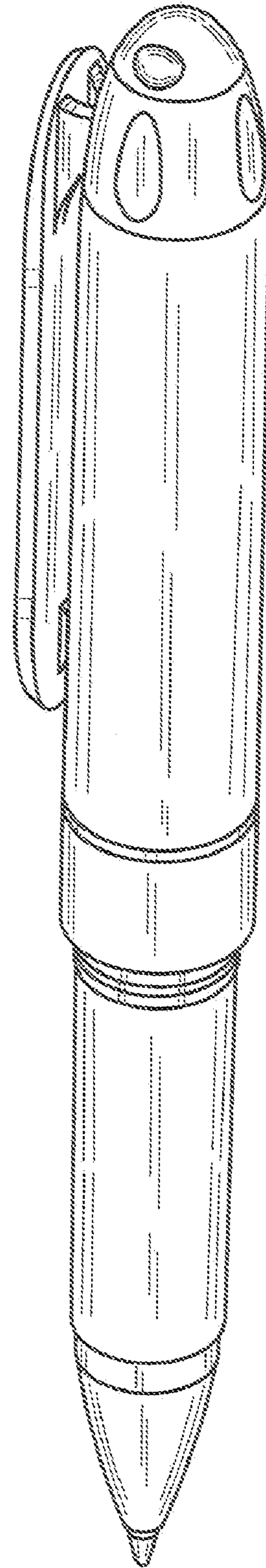
FIG. 9 is a rear elevation view thereof.

**1 Claim, 4 Drawing Sheets**

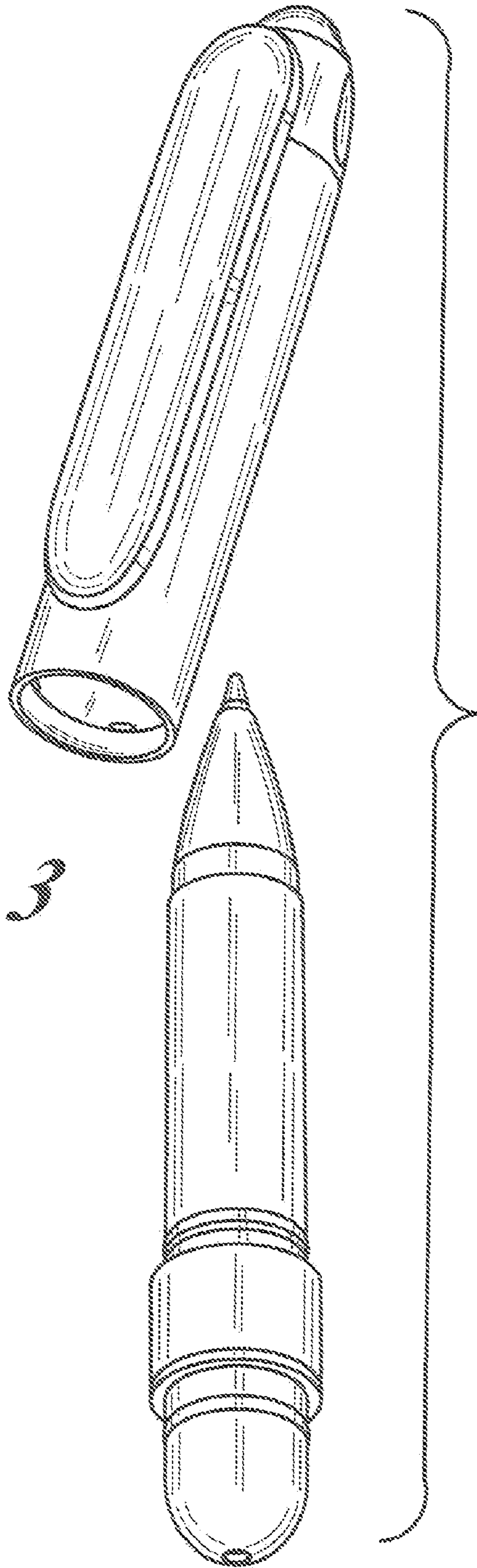




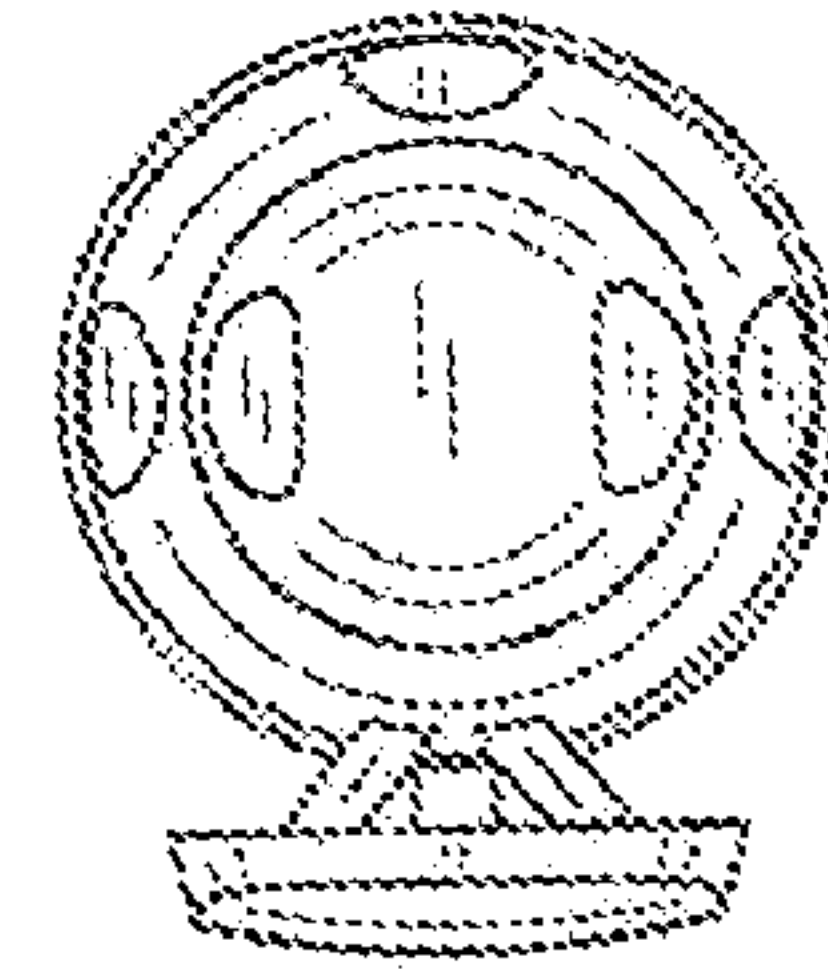
*Fig. 1*



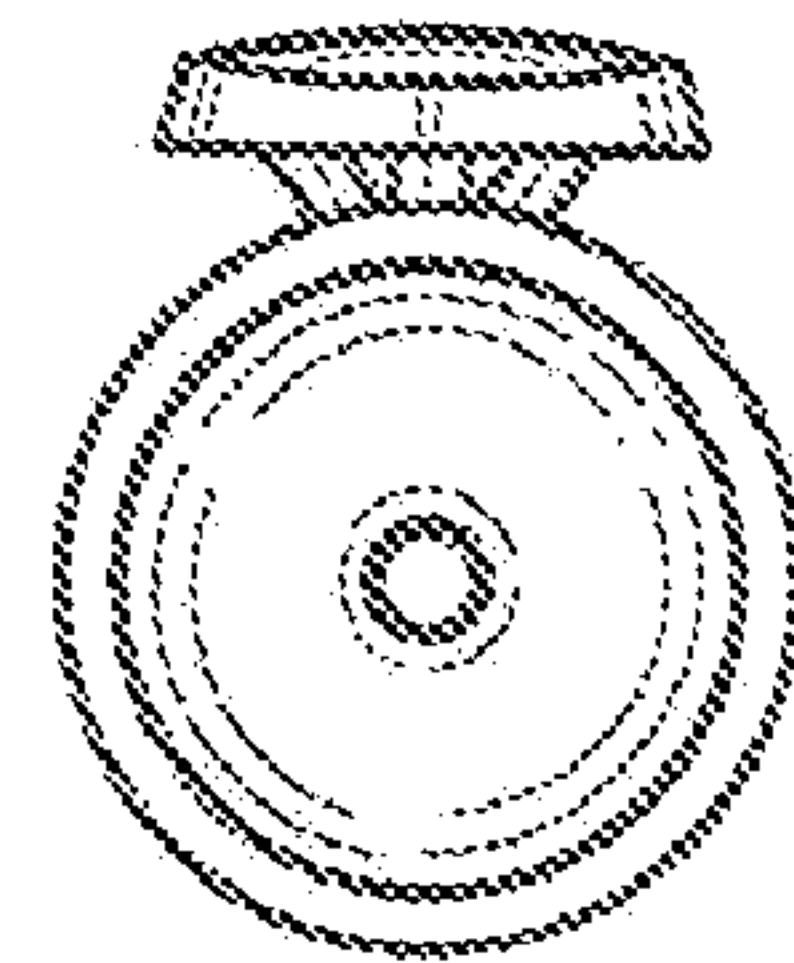
*Fig. 2*



*Fig. 3*

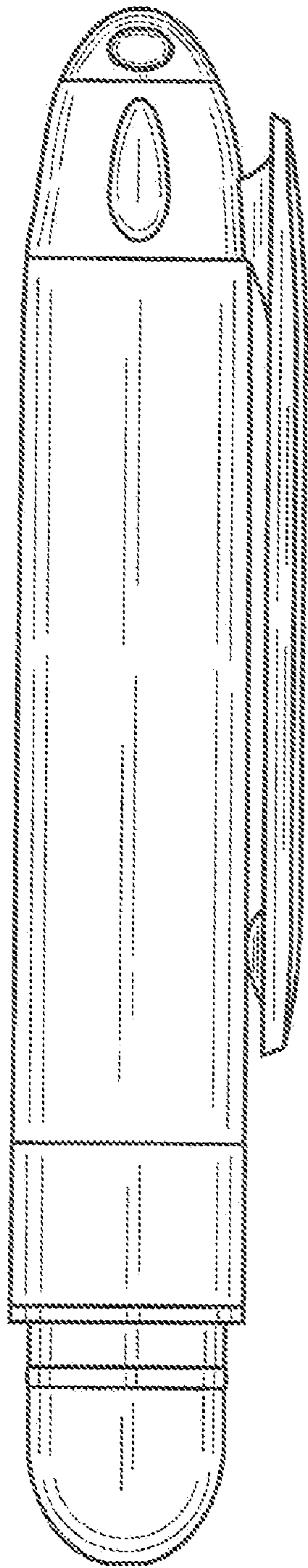


*Fig. 4*

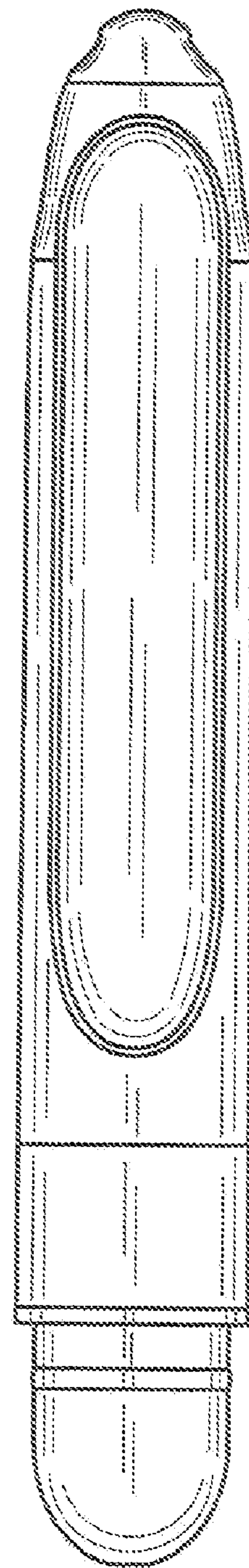


*Fig. 5*

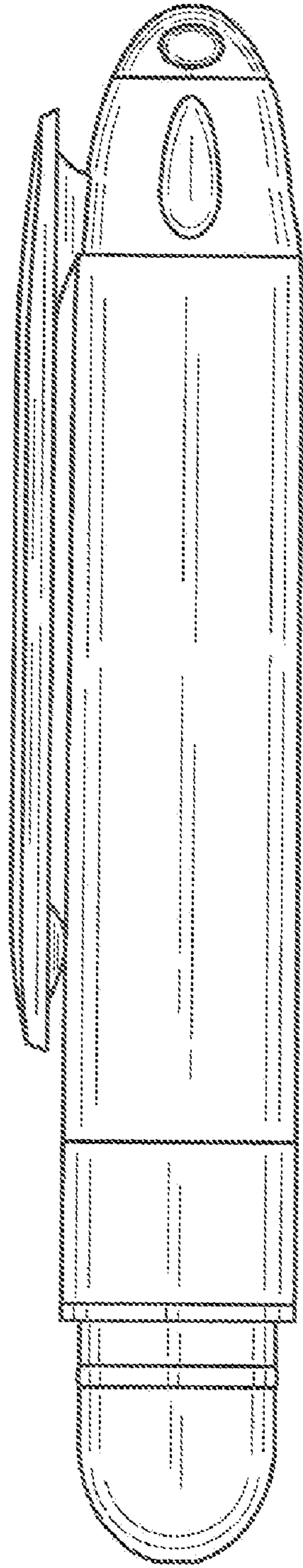




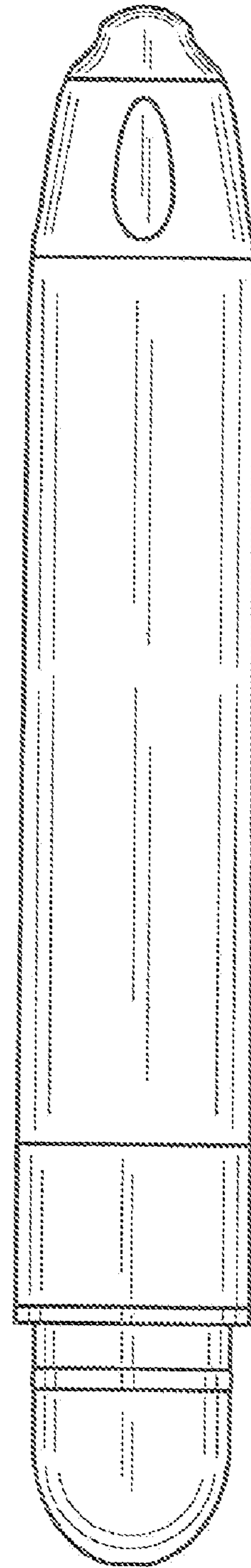
*Fig. 6*



*Fig. 7*



*Fig. 8*



*Fig. 9*

UNITED STATES PATENT AND TRADEMARK OFFICE  
**CERTIFICATE OF CORRECTION**

PATENT NO. : Des. 577,071 S  
APPLICATION NO. : 29/277822  
DATED : September 16, 2008  
INVENTOR(S) : Z. Qiu et al.

Page 1 of 1

It is certified that error appears in the above-identified patent and that said Letters Patent is hereby corrected as shown below:

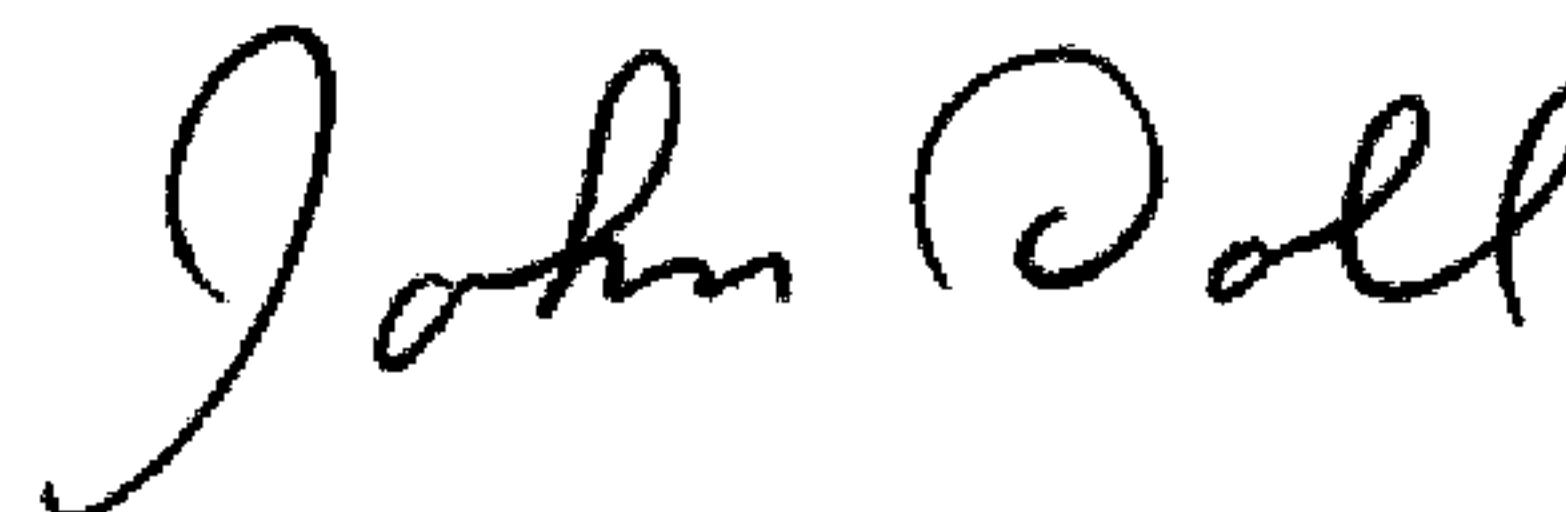
**On the Title Page**

Item (30)	Foreign Application Priority Data	“2006 3 0146803” should read --2006 3 0146803.4--
-----------	--	--

**On the Title Page**

Item	Assistant Examiner	“Kelley A Donnelly” should read --Kelley A. Donnelly--
------	-----------------------	---

Signed and Sealed this  
Nineteenth Day of May, 2009



JOHN DOLL  
*Acting Director of the United States Patent and Trademark Office*