



US00D577069S

(12) **United States Design Patent**
Bhavnani et al.

(10) **Patent No.:** **US D577,069 S**
(45) **Date of Patent:** **** Sep. 16, 2008**

(54) **PEN**
(75) Inventors: **Dilip Bhavnani**, Beverly Hills, CA (US);
Todd Zimmermann, Moorestown, NJ
(US)

D540,387 S * 4/2007 Losel D19/51
D541,343 S * 4/2007 Losel D19/50
D541,344 S * 4/2007 Hamilton et al. D19/50
D568,393 S * 5/2008 Bhavnani D19/51
D568,932 S * 5/2008 Qiu et al. D19/43

(73) Assignee: **Sun Most, LLC**, Commerce, CA (US)

(**) Term: **14 Years**

(21) Appl. No.: **29/277,437**

(22) Filed: **Feb. 26, 2007**

(51) **LOC (8) Cl.** **19-06**

(52) **U.S. Cl.** **D19/51**

(58) **Field of Classification Search** D19/41-51,
D19/53, 54, 55; 401/6-7, 88, 99, 100, 104,
401/109, 209

See application file for complete search history.

(56) **References Cited**

U.S. PATENT DOCUMENTS

D441,018 S * 4/2001 Droege D19/51
D445,131 S * 7/2001 Keda D19/51
D451,548 S * 12/2001 Banasik D19/51
D456,845 S * 5/2002 Rommel D19/49
D485,574 S * 1/2004 Keil D19/50
D485,575 S * 1/2004 Lovell D19/51
D518,102 S * 3/2006 Lovell D19/51
D532,453 S * 11/2006 Tatic D19/50
D539,348 S * 3/2007 Hamilton et al. D19/50

OTHER PUBLICATIONS

“German Copyright Registration M9608663.7 Sep. 12, 1996”.

* cited by examiner

Primary Examiner—Elizabeth A. Albert

Assistant Examiner—Kelley A Donnelly

(74) *Attorney, Agent, or Firm*—The Soni Law Firm

(57) **CLAIM**

The ornamental design for a pen, as shown and described.

DESCRIPTION

FIG. 1 is a front bottom side perspective view of the pen showing my new design;

FIG. 2 is a front elevational view thereof;

FIG. 3 is a right side elevational view thereof;

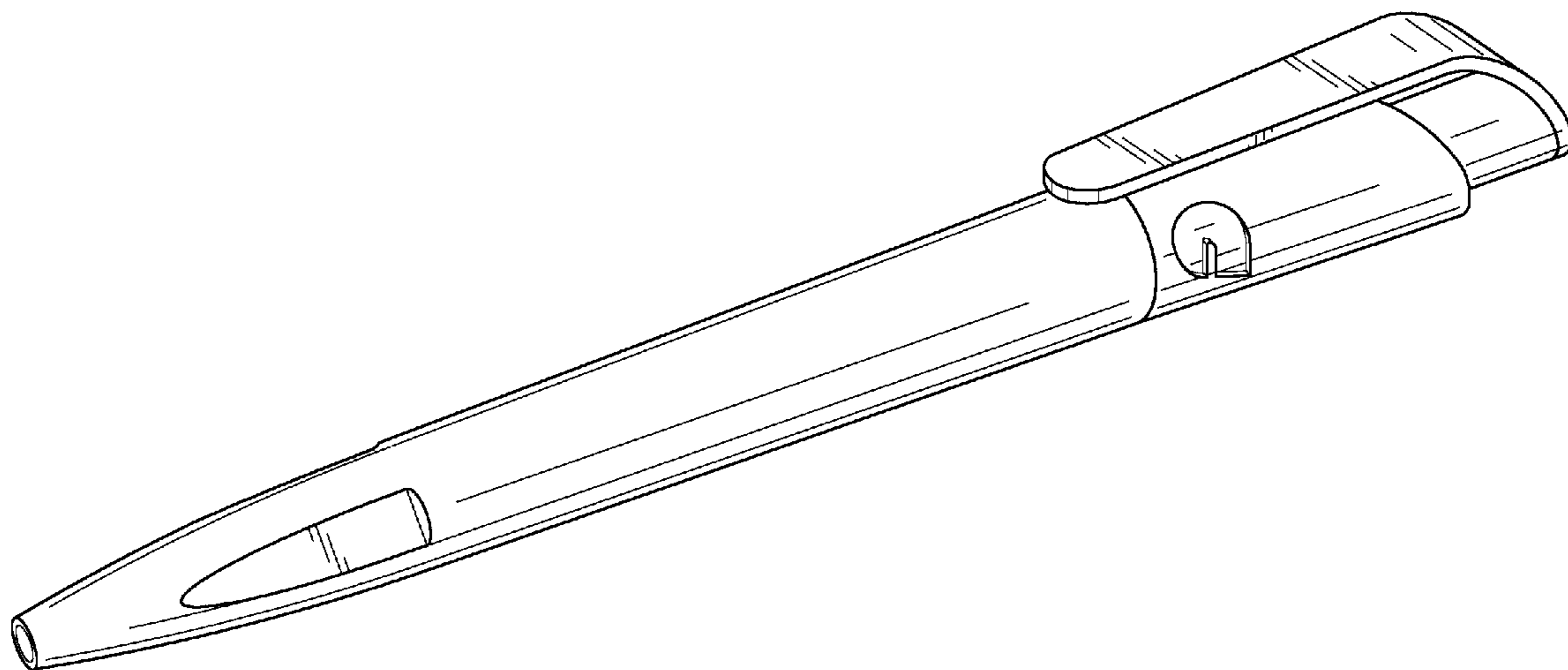
FIG. 4 is a left side elevational view thereof;

FIG. 5 is a back elevational view thereof;

FIG. 6 is a bottom plan view thereof; and,

FIG. 7 is a top plan view thereof.

1 Claim, 2 Drawing Sheets



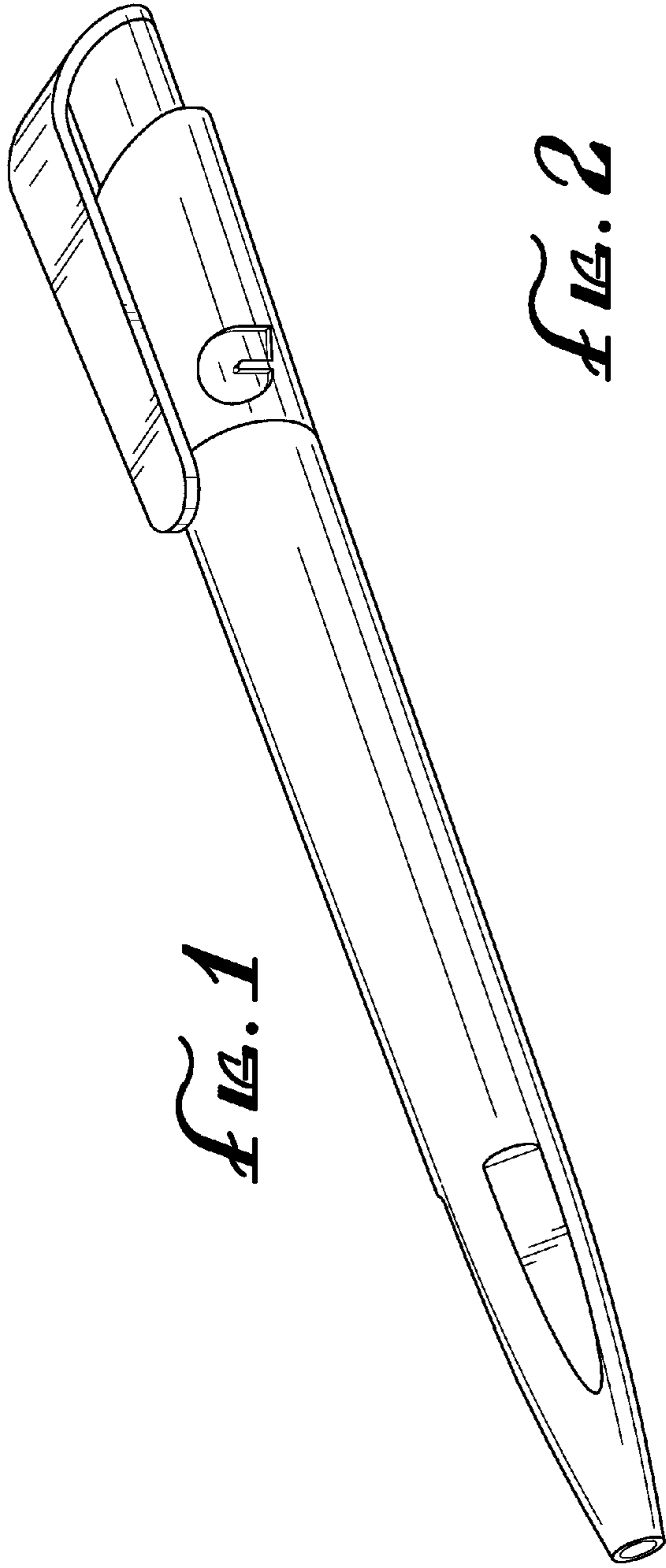


Fig. 2

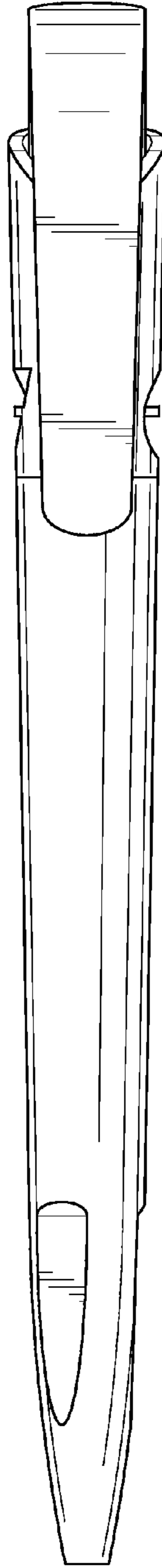
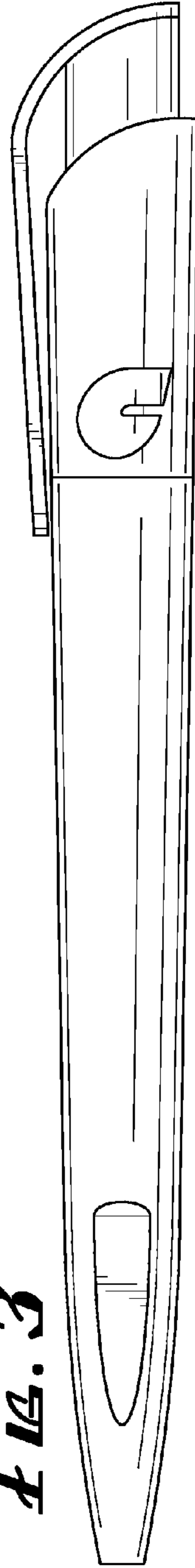


Fig. 3



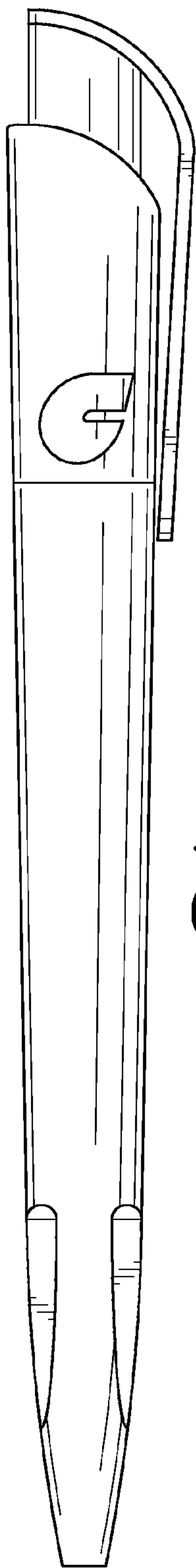


FIG. 4

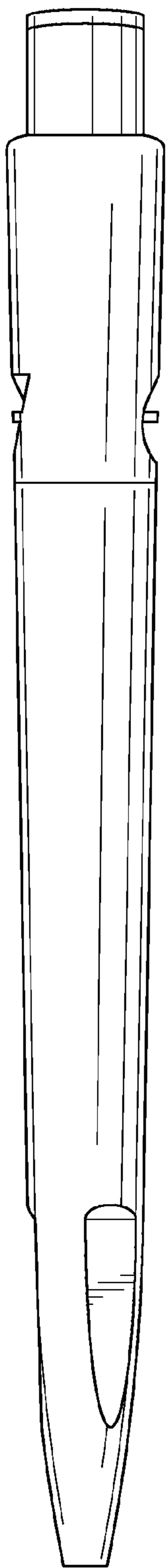


FIG. 5

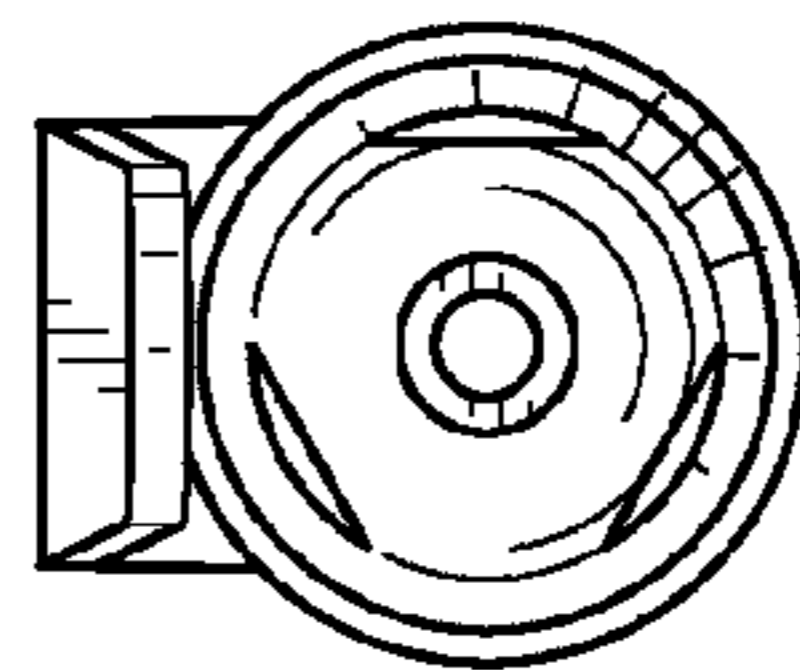


FIG. 6

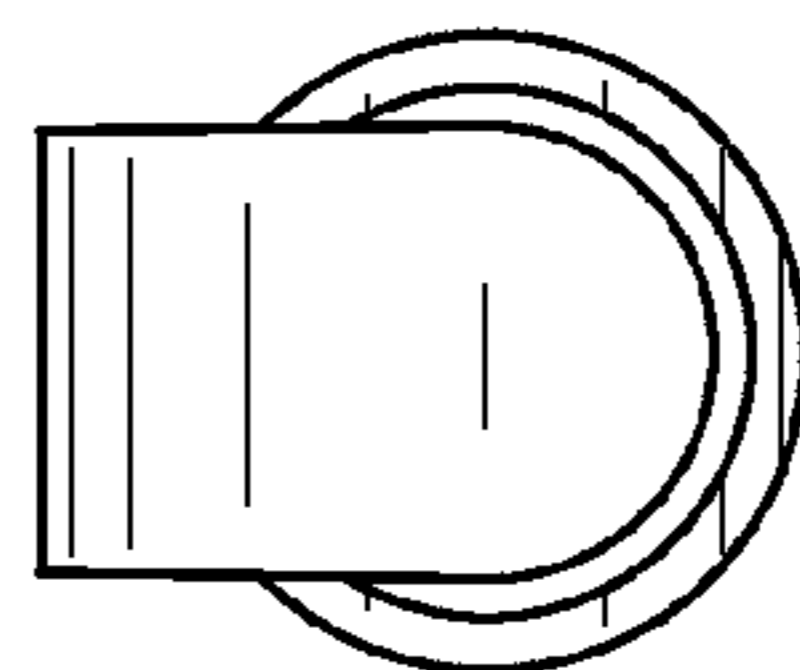


FIG. 7