



US00D577061S

(12) **United States Design Patent**
Kim

(10) **Patent No.:** **US D577,061 S**
(45) **Date of Patent:** **** Sep. 16, 2008**

(54) **TONER CARTRIDGE FOR LASER PRINTER**

(75) Inventor: **Sung Gi Kim**, Seoul (KR)

(73) Assignee: **Samsung Electronics Co., Ltd.**, Suwon (KR)

(**) Term: **14 Years**

(21) Appl. No.: **29/264,503**

(22) Filed: **Aug. 11, 2006**

(51) **LOC (8) Cl.** **16-03**

(52) **U.S. Cl.** **D18/43**

(58) **Field of Classification Search** D14/471;
D18/12, 36, 40, 43, 44, 56; 222/DIG. 1;
347/197, 222; 399/24-28, 107-112, 119,
399/121, 122, 222-224

See application file for complete search history.

(56) **References Cited**

U.S. PATENT DOCUMENTS

D478,615 S *	8/2003	Karakama et al.	D18/40
D500,335 S *	12/2004	Karakama et al.	D18/40
D501,021 S *	1/2005	Saiki et al.	D18/40
D501,022 S *	1/2005	Saiki et al.	D18/40
D524,359 S *	7/2006	Karakama et al.	D18/40
7,082,276 B2 *	7/2006	Karakama et al.	399/111

7,120,374 B2 *	10/2006	Karakama et al.	399/111
2007/0048019 A1 *	3/2007	Kim et al.	399/222
2007/0071496 A1 *	3/2007	Lee	399/111

* cited by examiner

Primary Examiner—Caron D. Veynar

Assistant Examiner—Garth Rademaker

(74) *Attorney, Agent, or Firm*—Ladas and Parry LLP

(57) **CLAIM**

I claim the ornamental design for a toner cartridge for laser printer, as shown and described.

DESCRIPTION

FIG. 1 is a top, front, and left side perspective view of a toner cartridge for laser printer showing my new design;

FIG. 2 is a front elevational view thereof;

FIG. 3 is a rear elevational view thereof;

FIG. 4 is a right side elevational view thereof;

FIG. 5 is a left side elevational view thereof;

FIG. 6 is a top plan view thereof; and,

FIG. 7 is a bottom plan view thereof.

The broken lines depict environmental subject matter only and form no part of the claimed design.

1 Claim, 6 Drawing Sheets

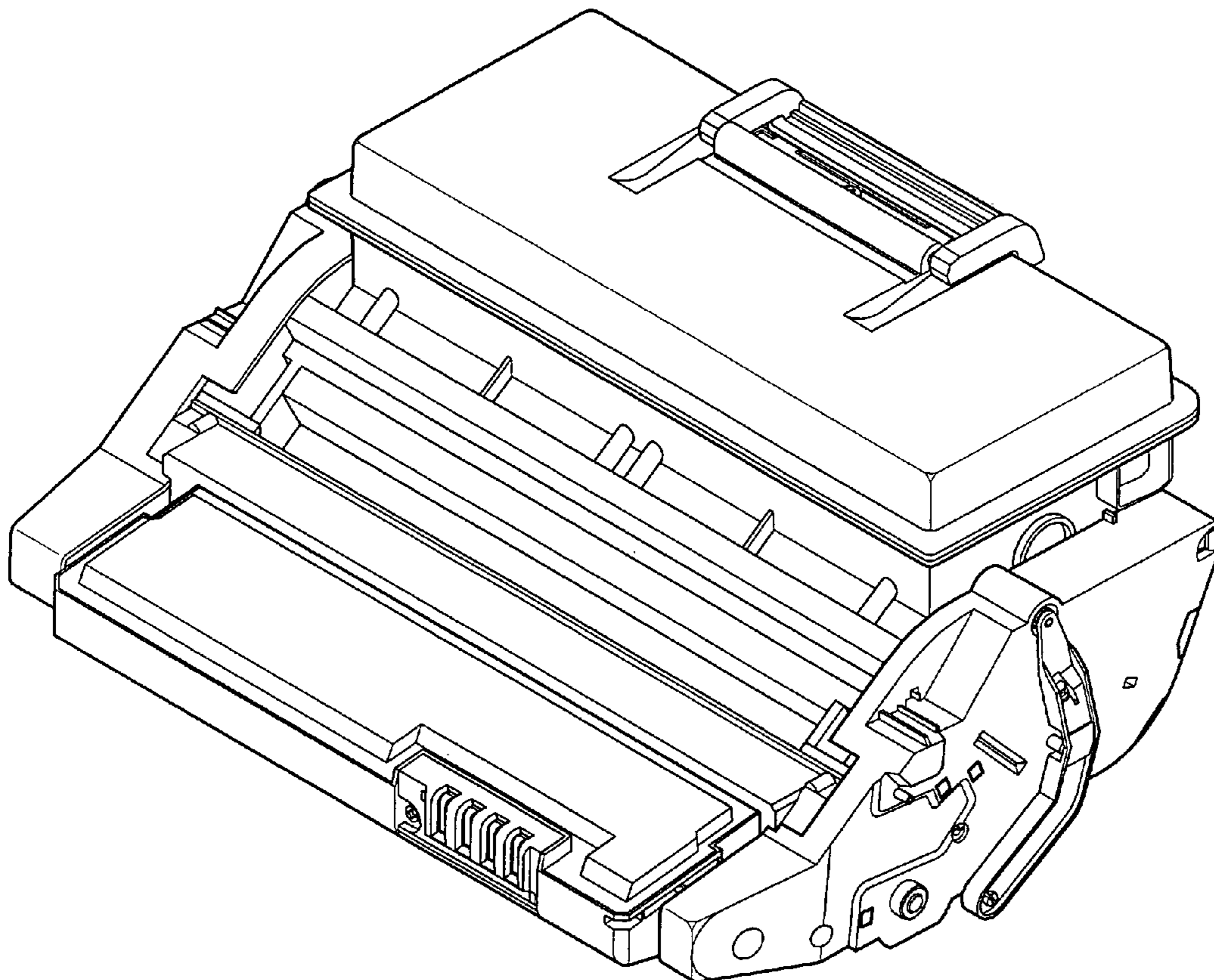


FIG. 1

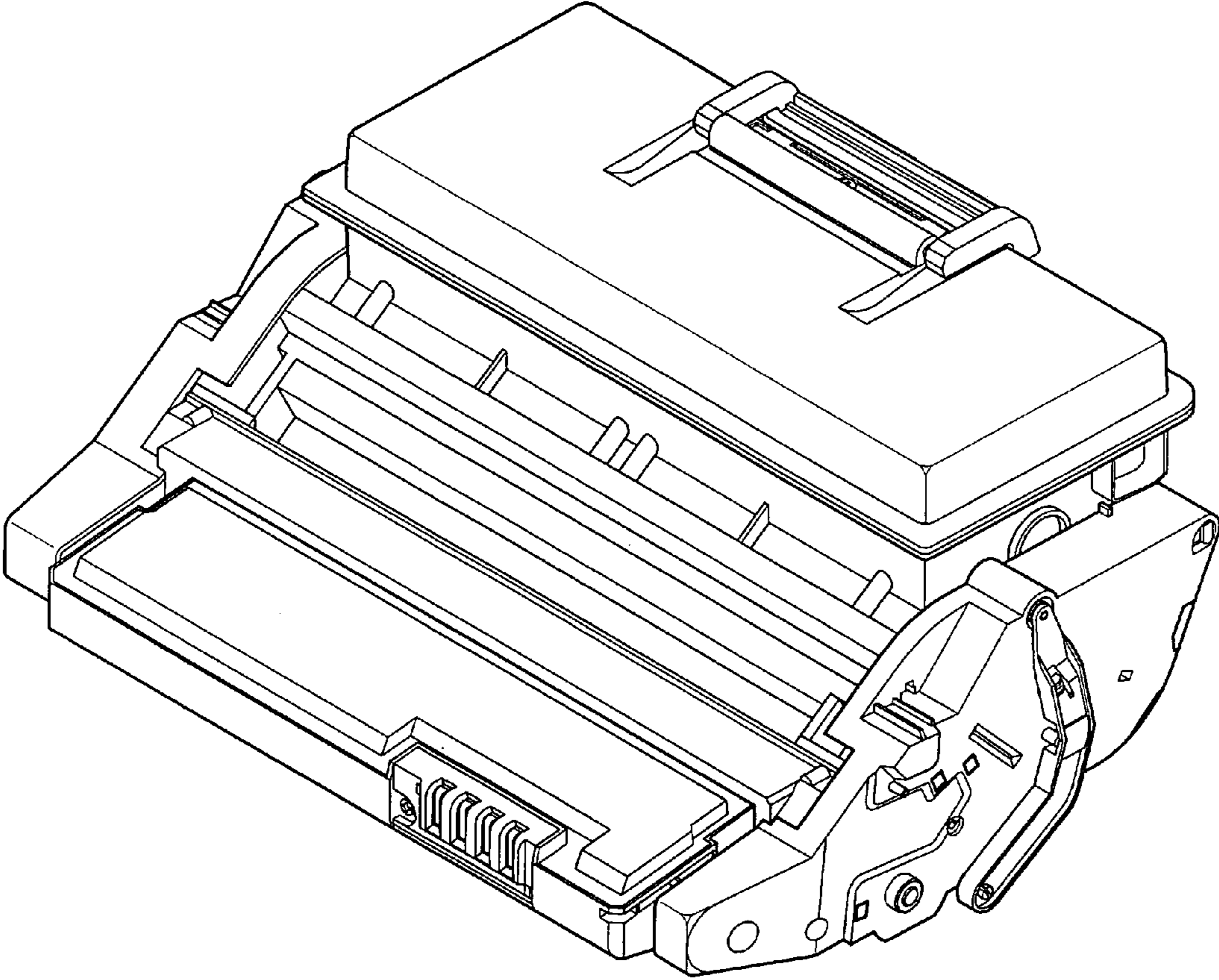


FIG. 2

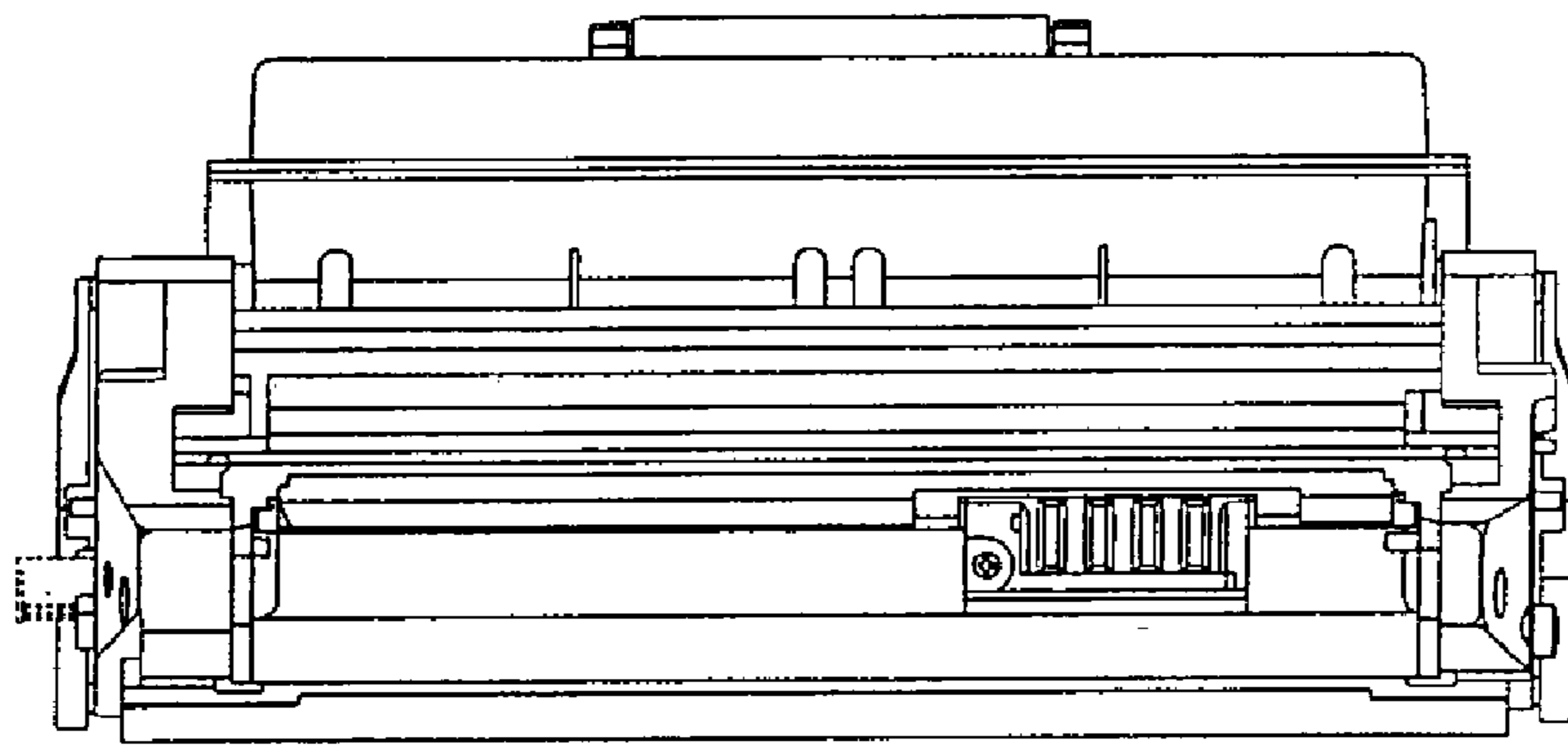
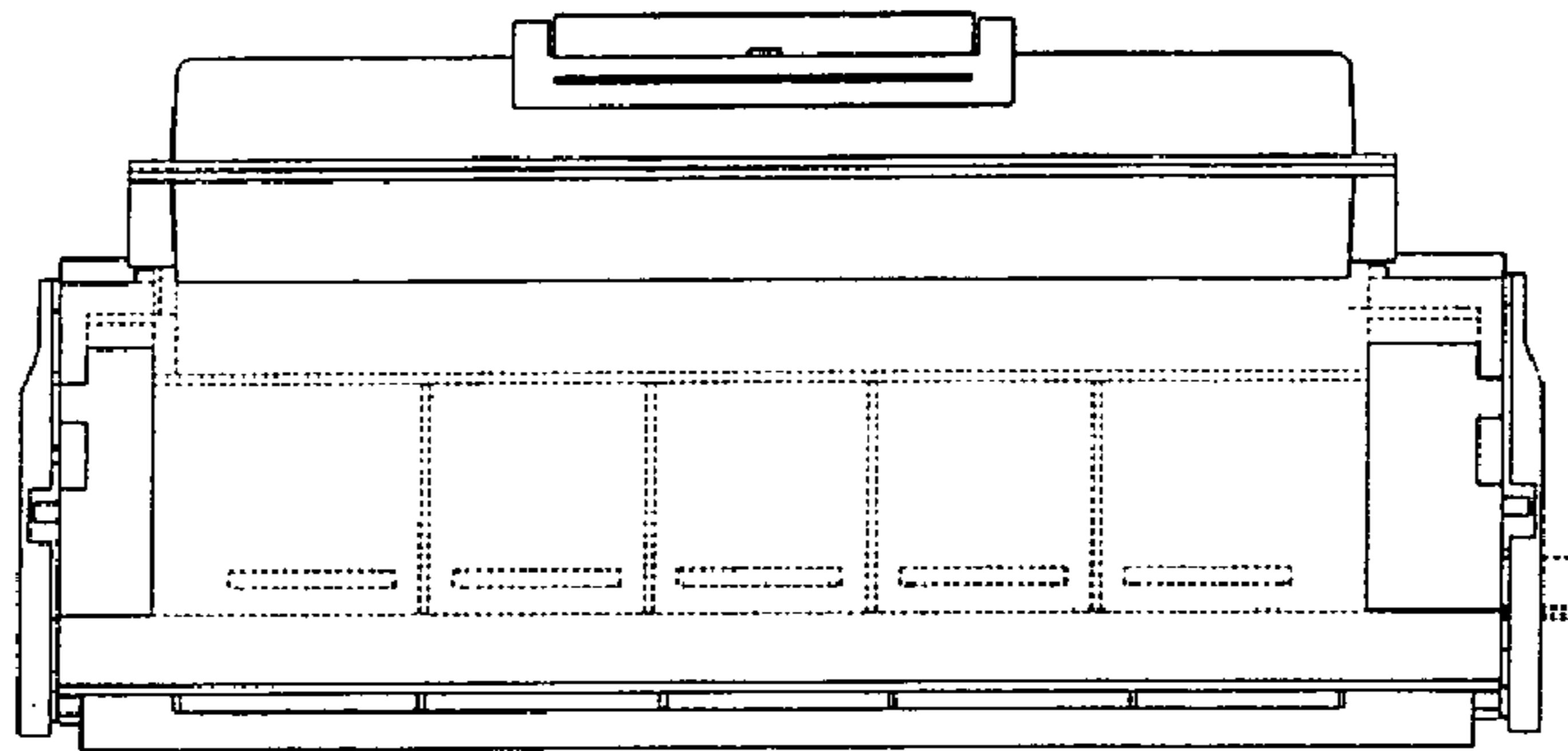


FIG. 3



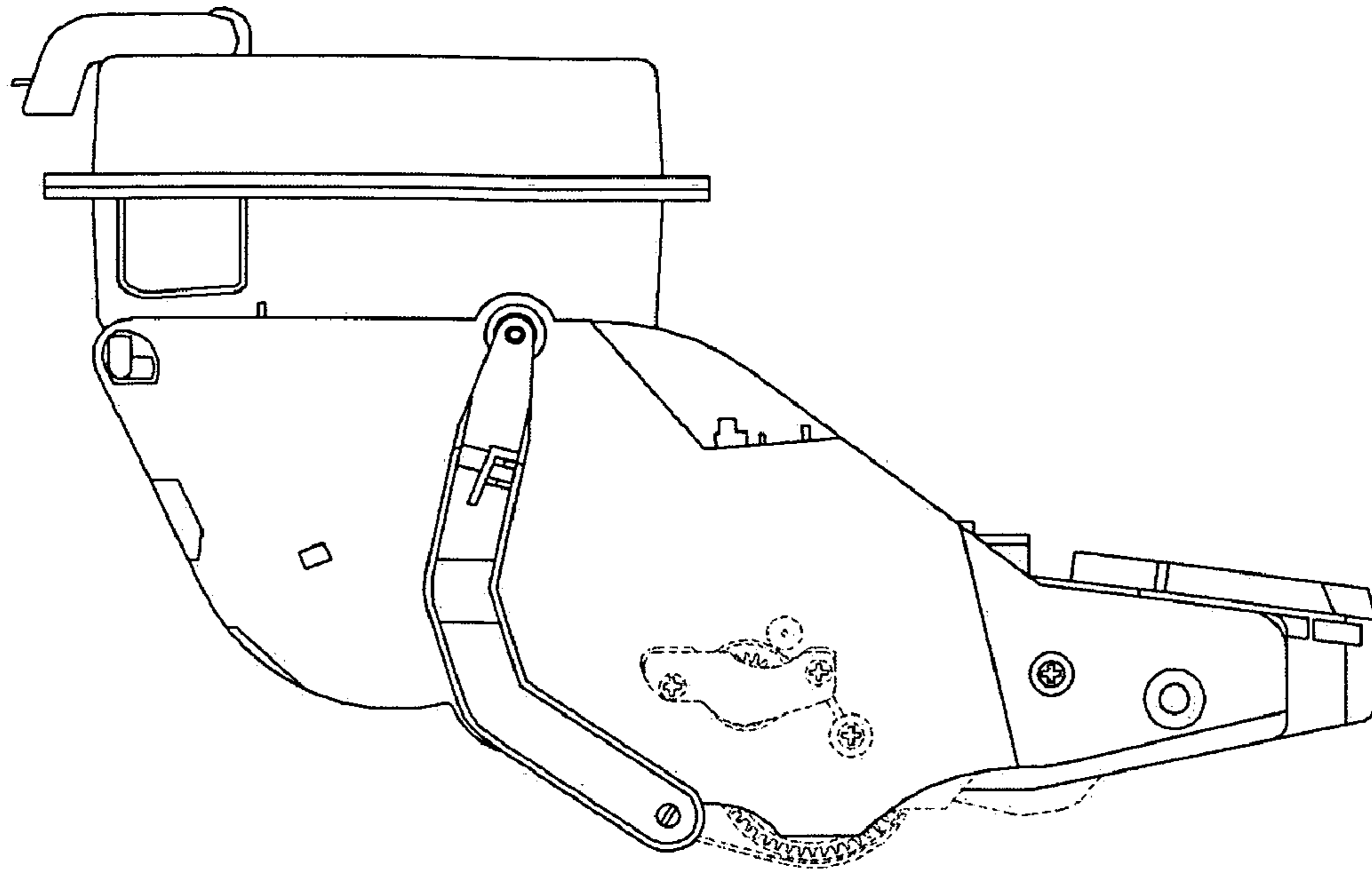


FIG. 4

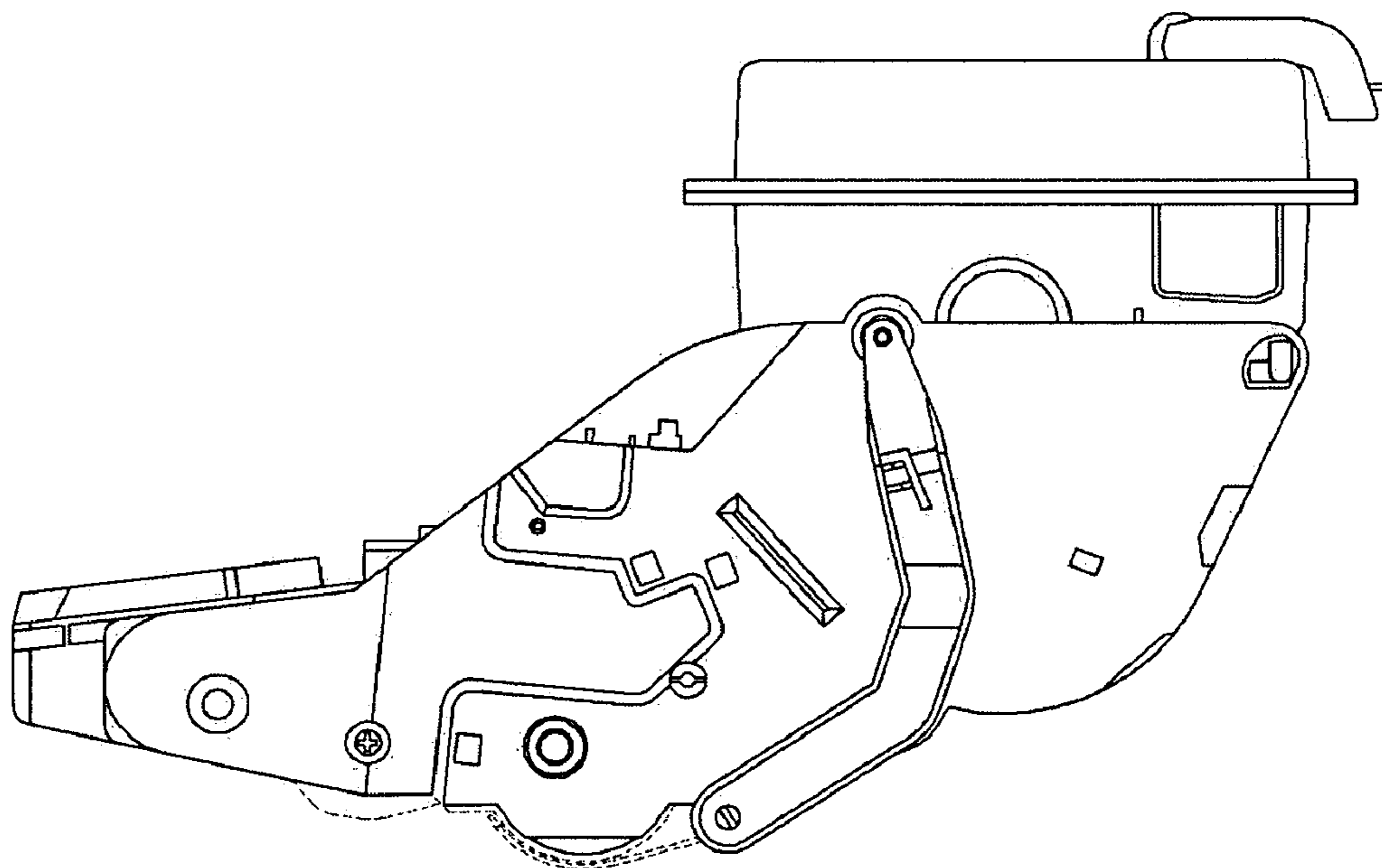
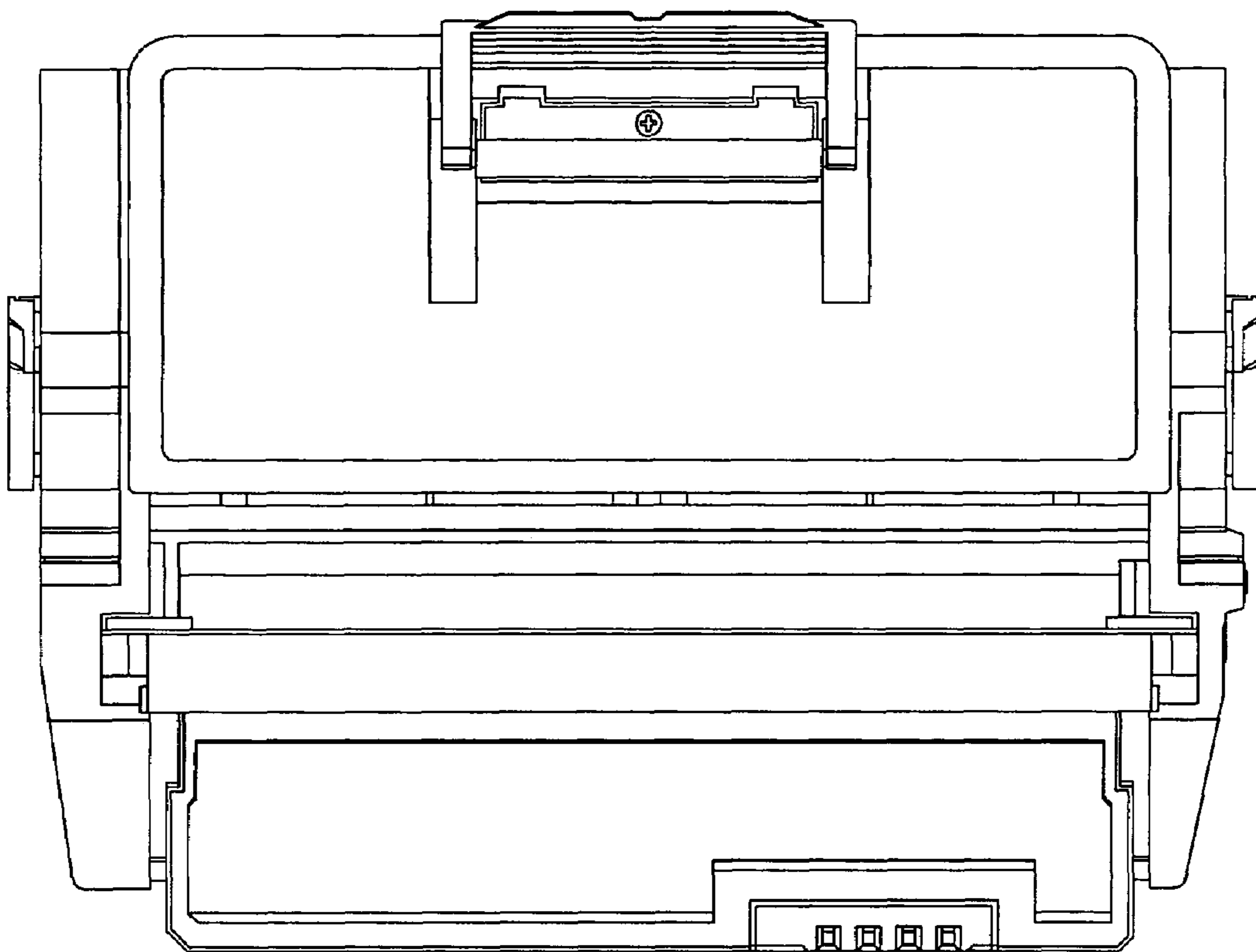


FIG. 5

FIG. 6



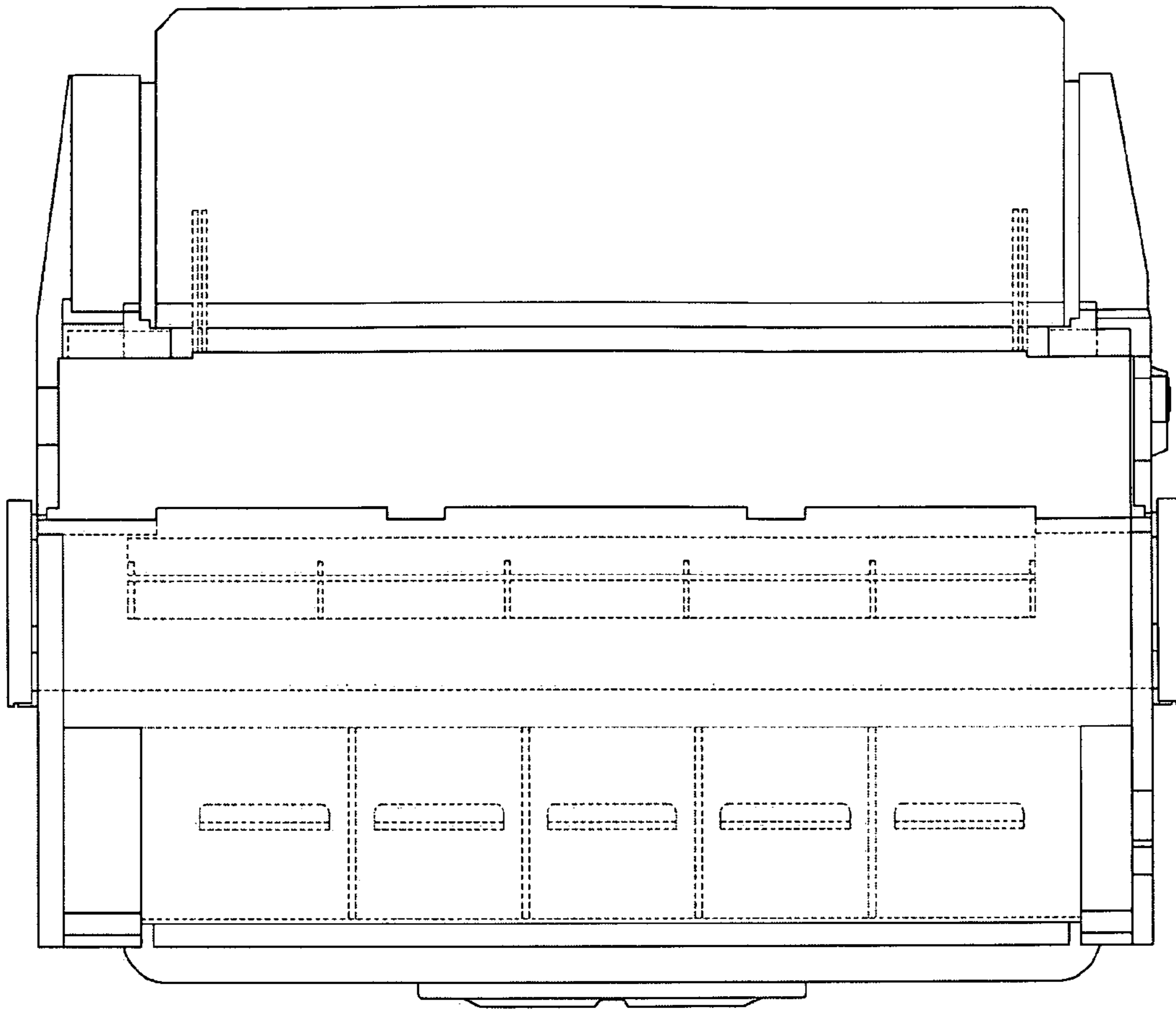


FIG. 7