



US00D577060S

(12) **United States Design Patent**
Isogai et al.

(10) **Patent No.:** **US D577,060 S**
(45) **Date of Patent:** **** Sep. 16, 2008**

- (54) **ELECTRONIC COPYING MACHINE**
- (75) Inventors: **Yoshitaka Isogai**, Tokyo (JP); **Yu Iritani**, Tokyo (JP); **Shin Sugiura**, Wako (JP)
- (73) Assignee: **Konica Minolta Business Technologies, Inc.**, Chiyoda-Ku, Tokyo (JP)
- (**) Term: **14 Years**
- (21) Appl. No.: **29/300,499**
- (22) Filed: **Apr. 3, 2008**

JP	D1256270	11/2005
JP	D1256271	11/2005
JP	D1256272	11/2005
JP	D1256273	11/2005
JP	D1256274	11/2005
JP	D1256275	11/2005
JP	D1256425	11/2005
JP	D1256426	11/2005
JP	D1256919	11/2005
JP	D1256920	11/2005

* cited by examiner

Related U.S. Application Data

- (62) Division of application No. 29/265,731, filed on Sep. 8, 2006.

Primary Examiner—Caron D. Veynar

Assistant Examiner—Garth Rademaker

(74) *Attorney, Agent, or Firm*—Buchanan Ingersoll & Rooney PC

(30) **Foreign Application Priority Data**

Mar. 14, 2006	(JP)	2006-006400
Mar. 14, 2006	(JP)	2006-006401
Mar. 14, 2006	(JP)	2006-006402
Mar. 14, 2006	(JP)	2006-006403

(57) **CLAIM**

The ornamental design for an electronic copying machine, as shown and described.

- (51) **LOC (8) Cl.** **16-03**
- (52) **U.S. Cl.** **D18/41**
- (58) **Field of Classification Search** D18/36-41, D18/44-56; 222/DIG. 1; 271/3.14, 8.1, 271/226, 278; 355/97, 99; 358/1.1; 399/1-7, 399/16, 75, 81, 107, 130, 151, 361, 365, 399/367, 381-383, 388
See application file for complete search history.

DESCRIPTION

FIG. 1 is a top, front and left side perspective view of an electronic copying machine showing our new design;
 FIG. 2 is a top, rear and left side perspective view thereof;
 FIG. 3 is a top, front and right side perspective view thereof;
 FIG. 4 is a top, rear and right side perspective view thereof;
 FIG. 5 is a front elevational view thereof;
 FIG. 6 is a rear elevational view thereof;
 FIG. 7 is a top plan view thereof;
 FIG. 8 is a bottom plan view thereof;
 FIG. 9 is a right side view thereof; and,
 FIG. 10 is a left side view thereof.

The broken lines depict environmental subject matter only and form no part of the claimed design.

The shading in the drawings is intended to illustrate that the surface is translucent.

(56) **References Cited**

U.S. PATENT DOCUMENTS

D425,109	S	*	5/2000	Brown et al.	D18/41
D426,259	S	*	6/2000	Kabumoto et al.	D18/41
D450,082	S	*	11/2001	Kusanagi et al.	D18/53
D458,958	S	*	6/2002	Agata	D18/39
6,819,891	B2	*	11/2004	Suzuki	399/81
D552,670	S	*	10/2007	Watanabe et al.	D18/40
D558,262	S	*	12/2007	Hong et al.	D18/50
2008/0003010	A1	*	1/2008	Isogai et al.	399/81

FOREIGN PATENT DOCUMENTS

JP D1256269 11/2005

1 Claim, 9 Drawing Sheets

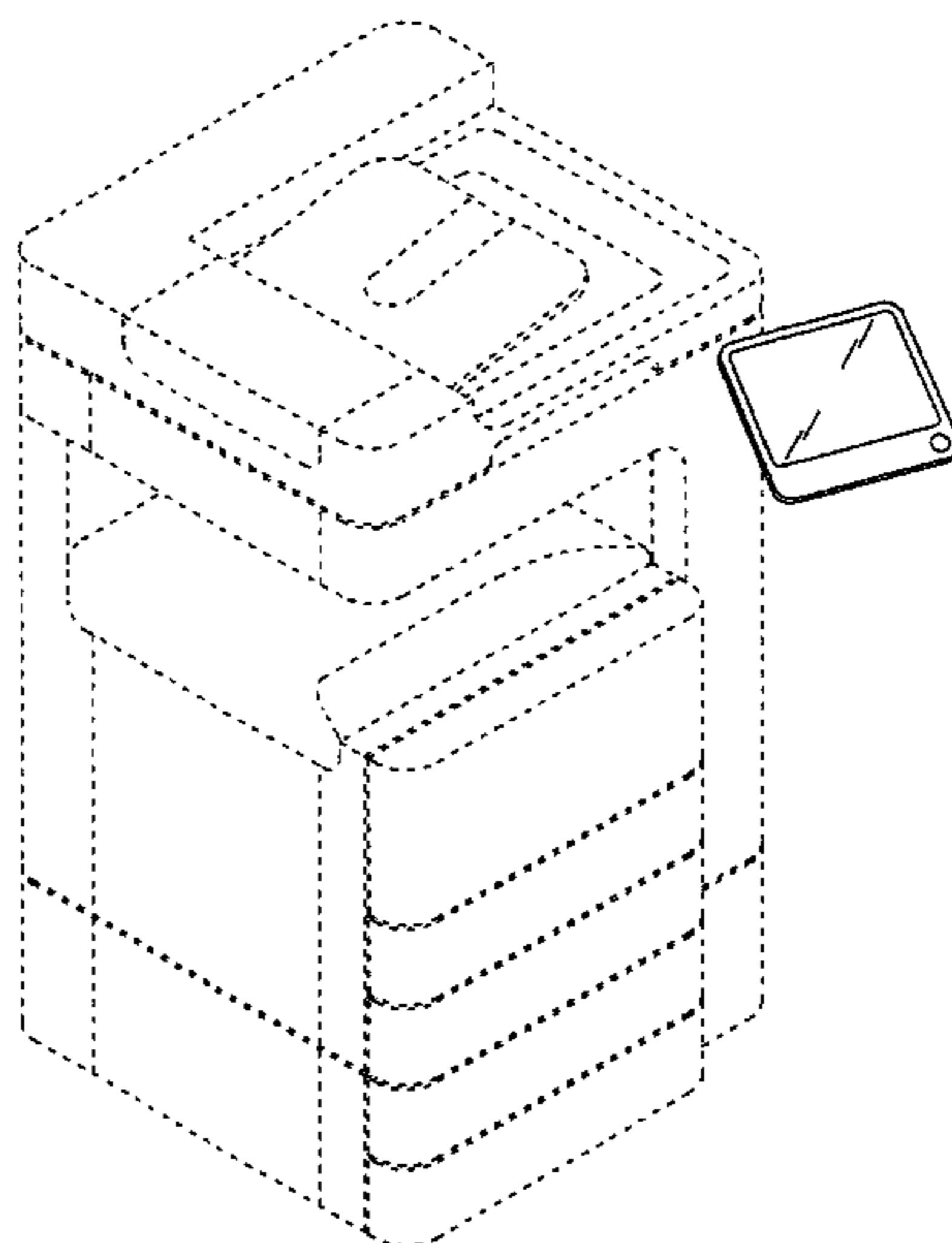


FIG. 1

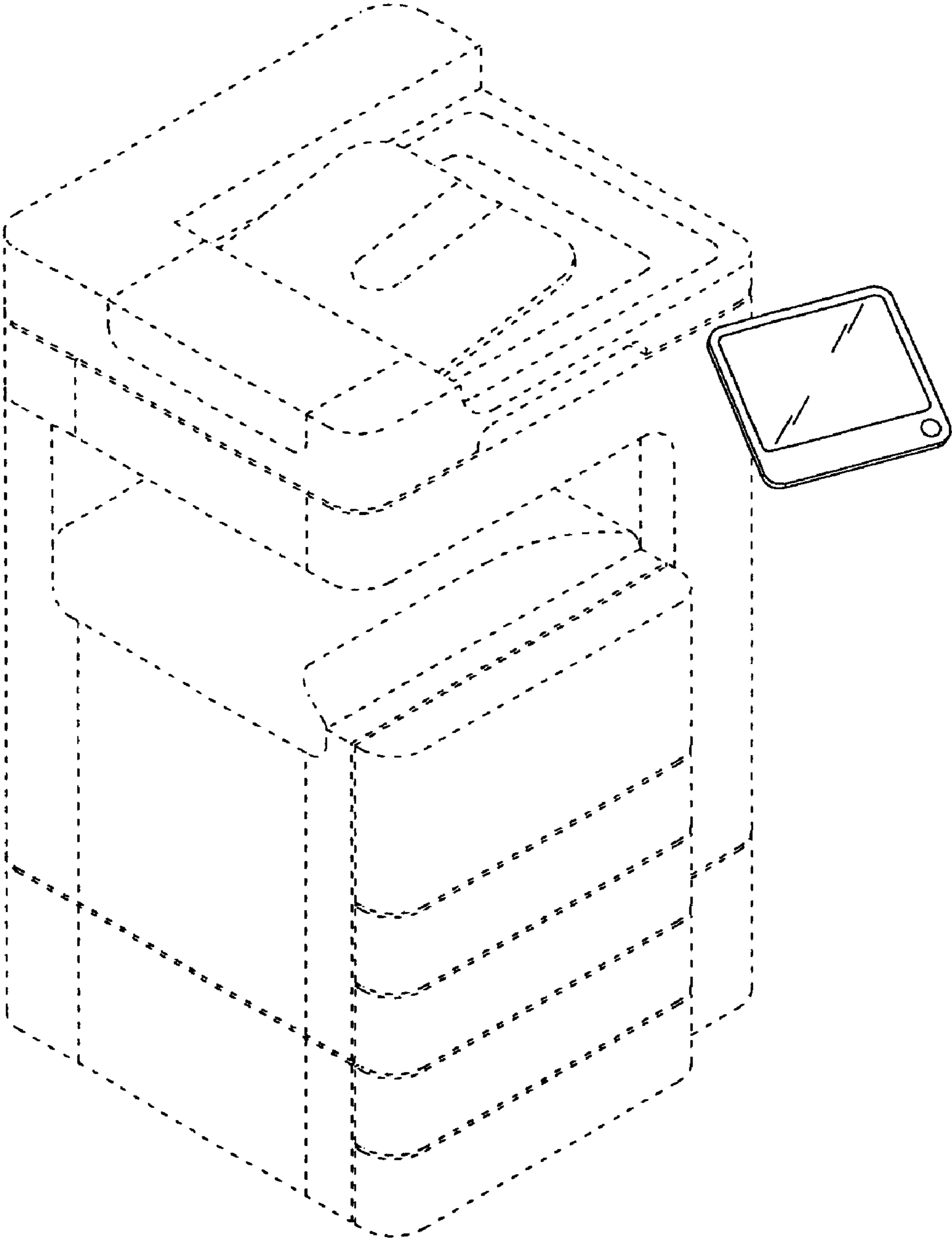


FIG. 2

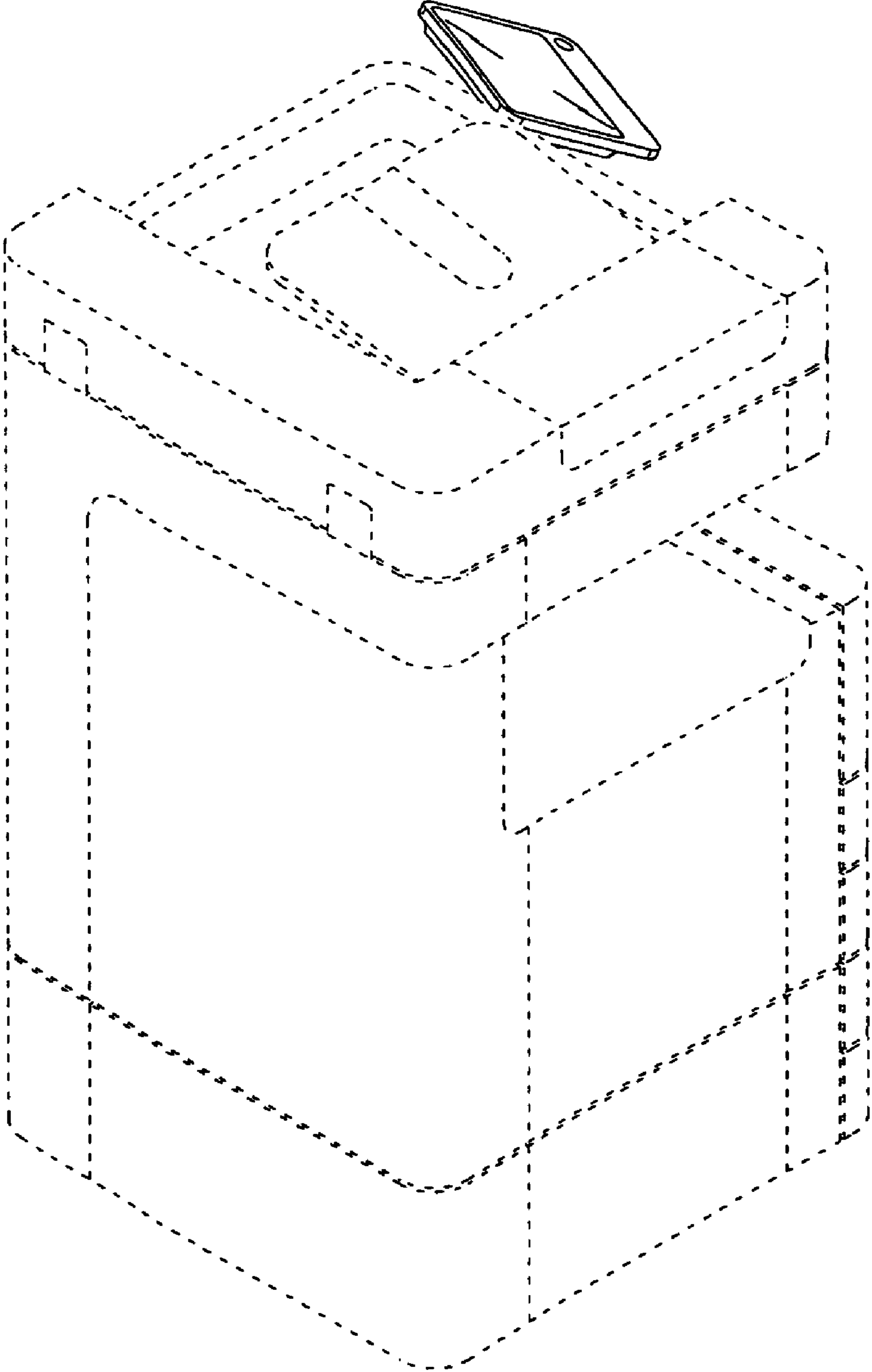


FIG. 3

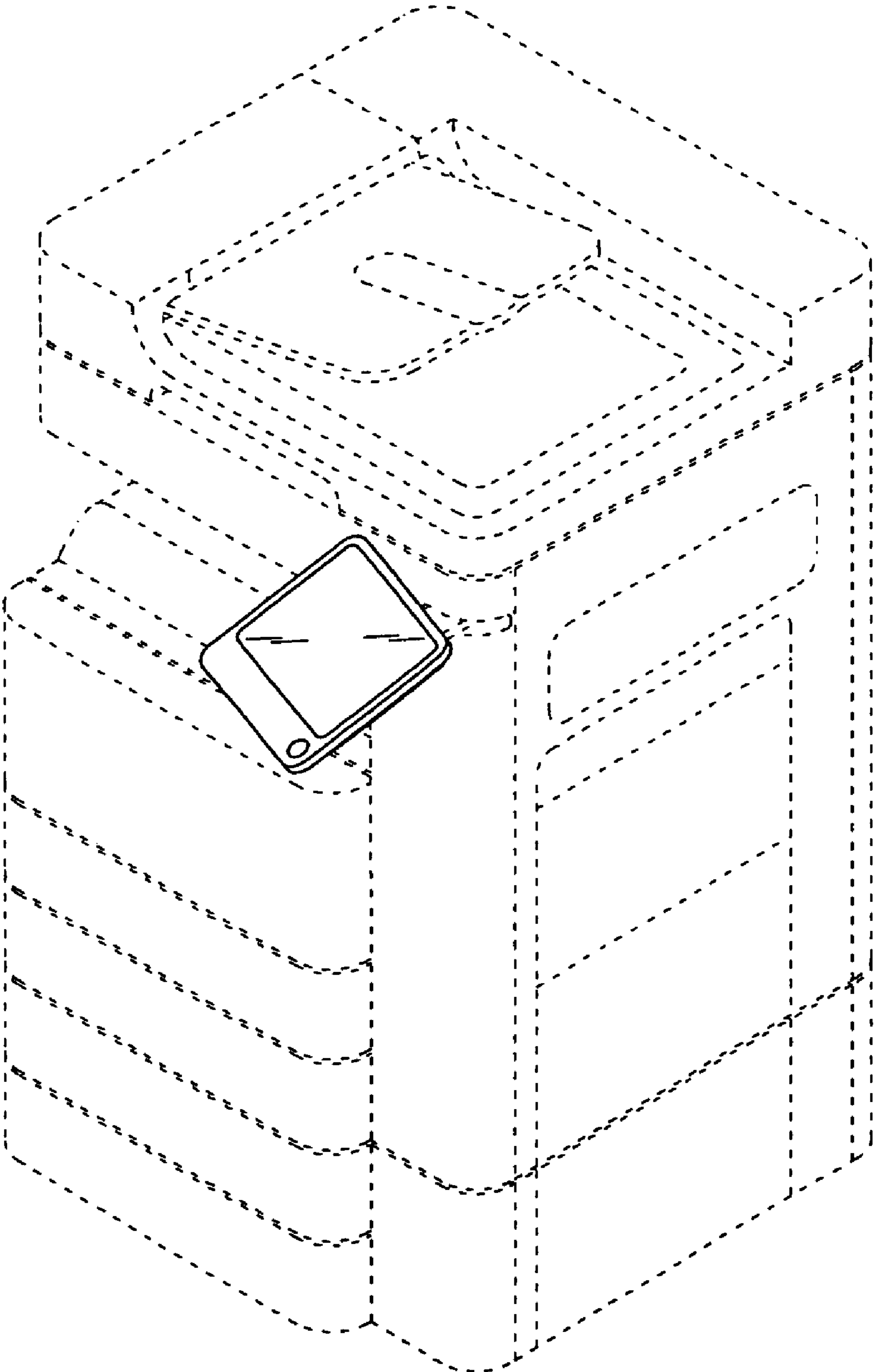


FIG. 4

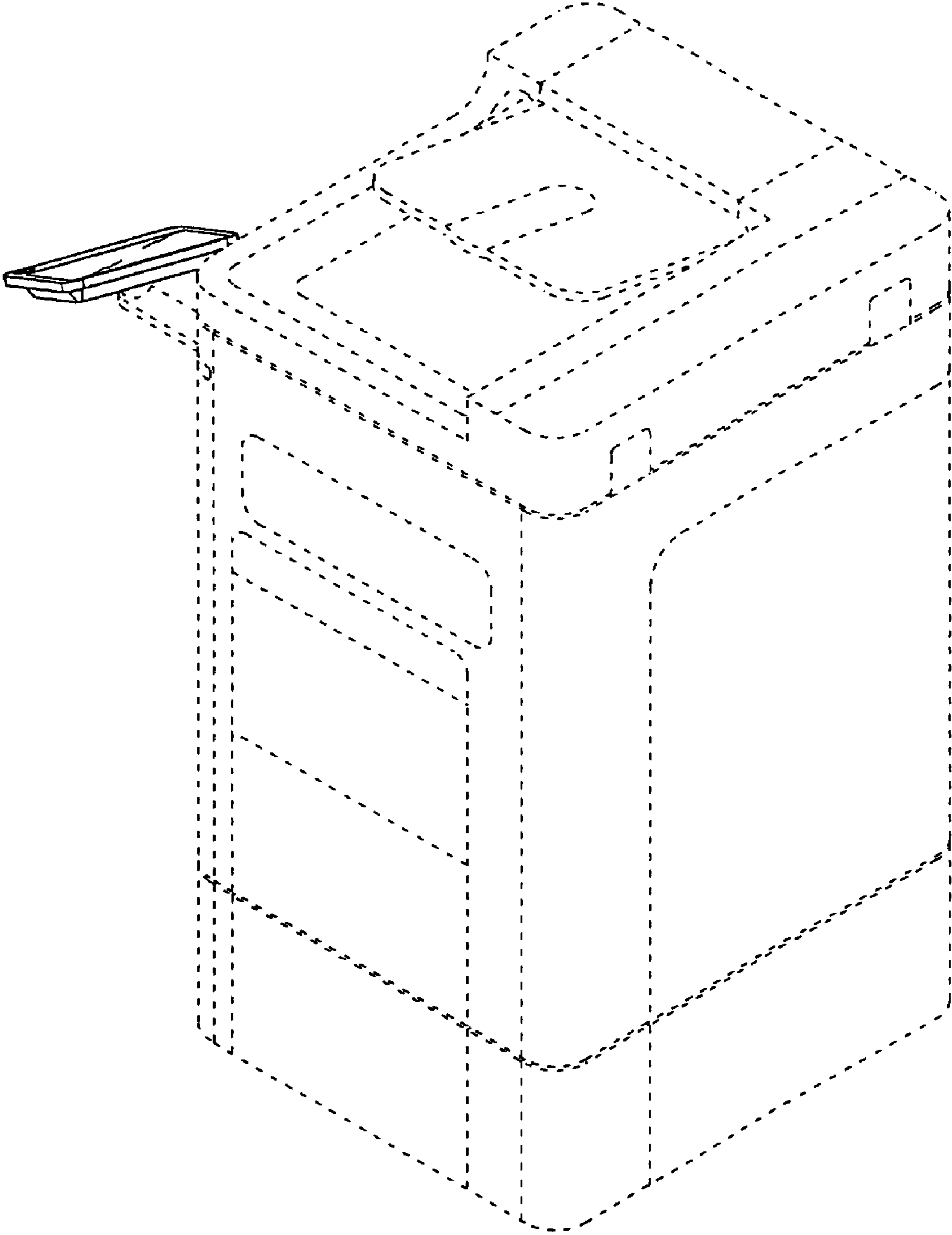


FIG. 5

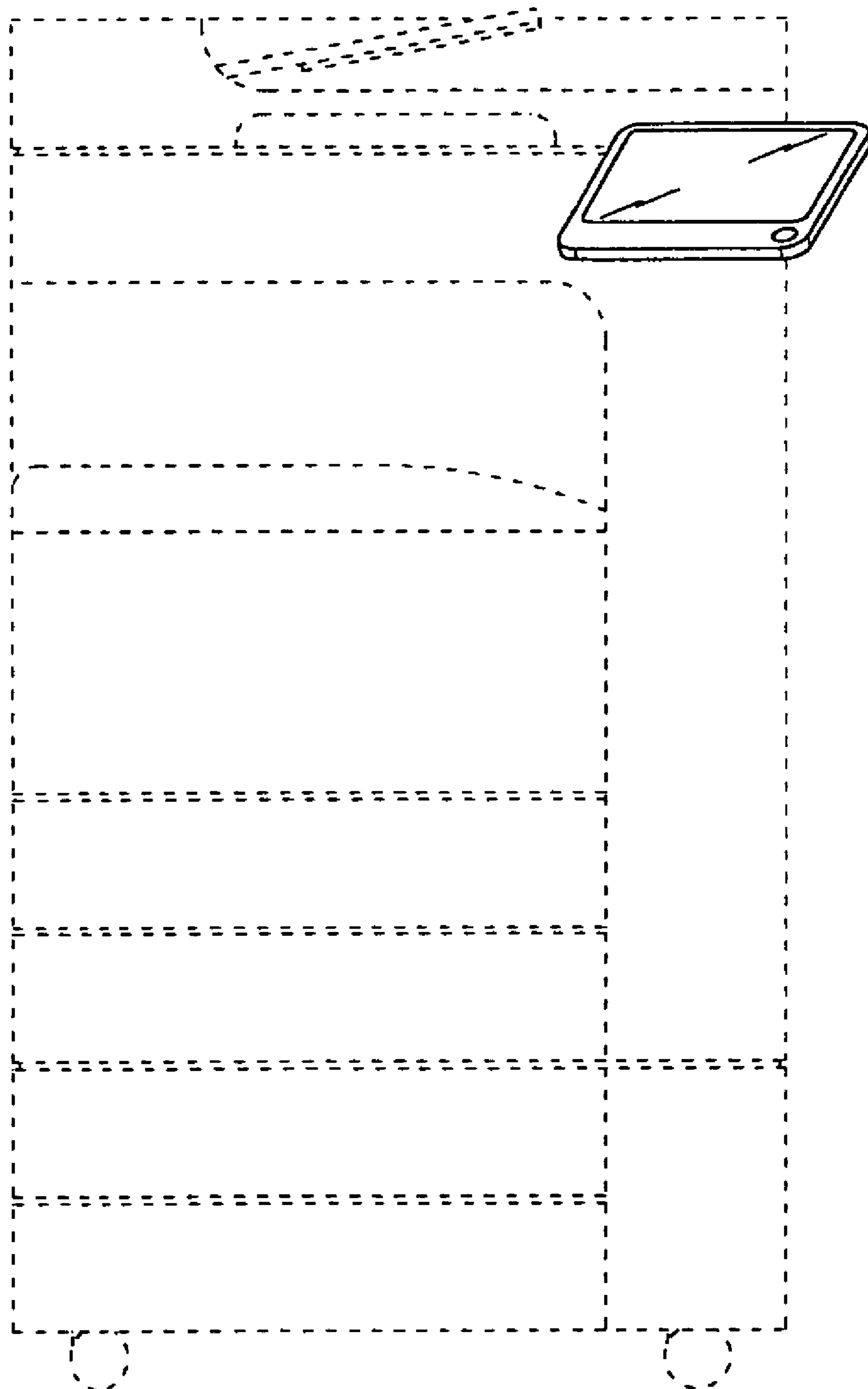


FIG. 6

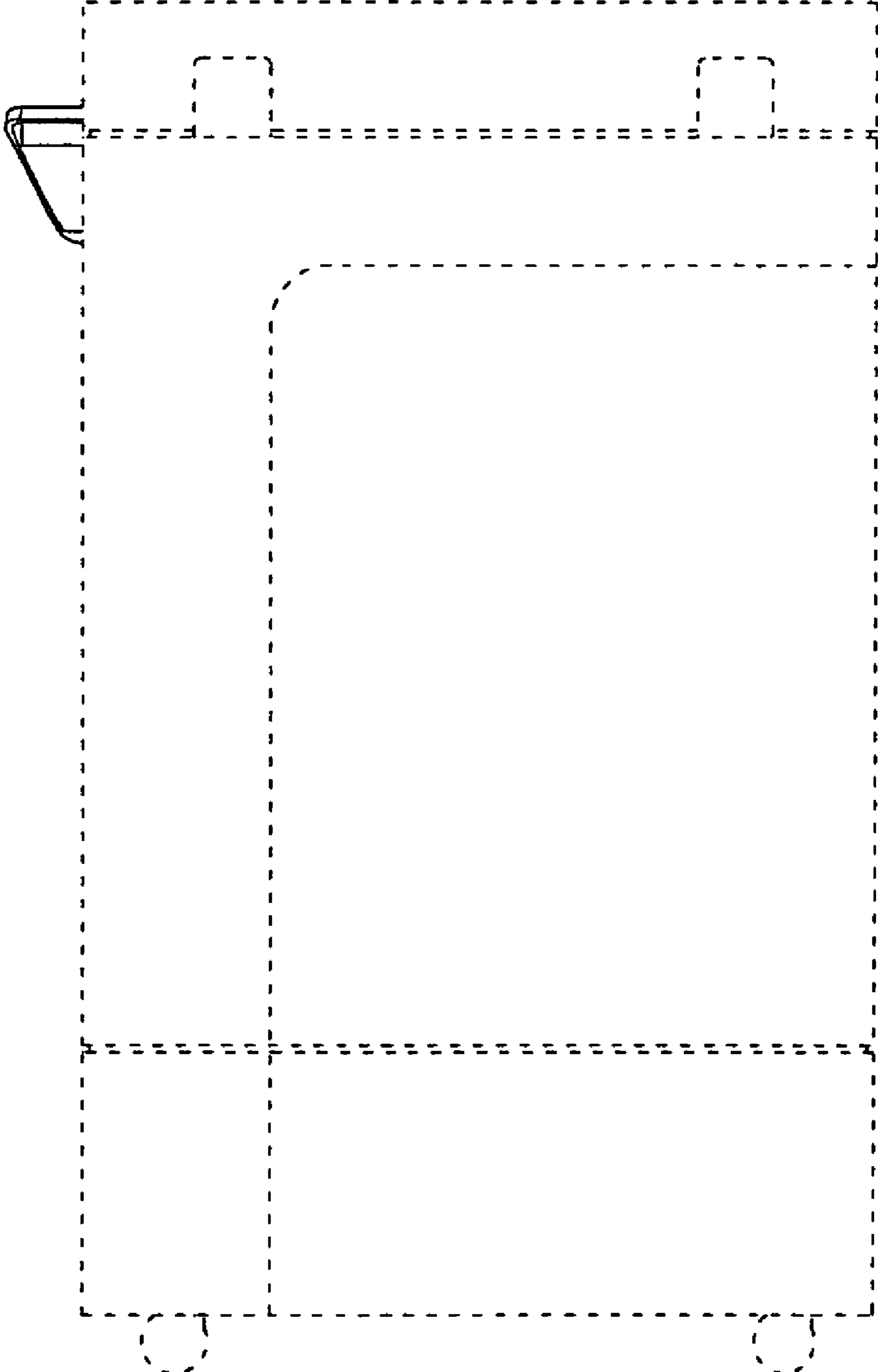


FIG. 7

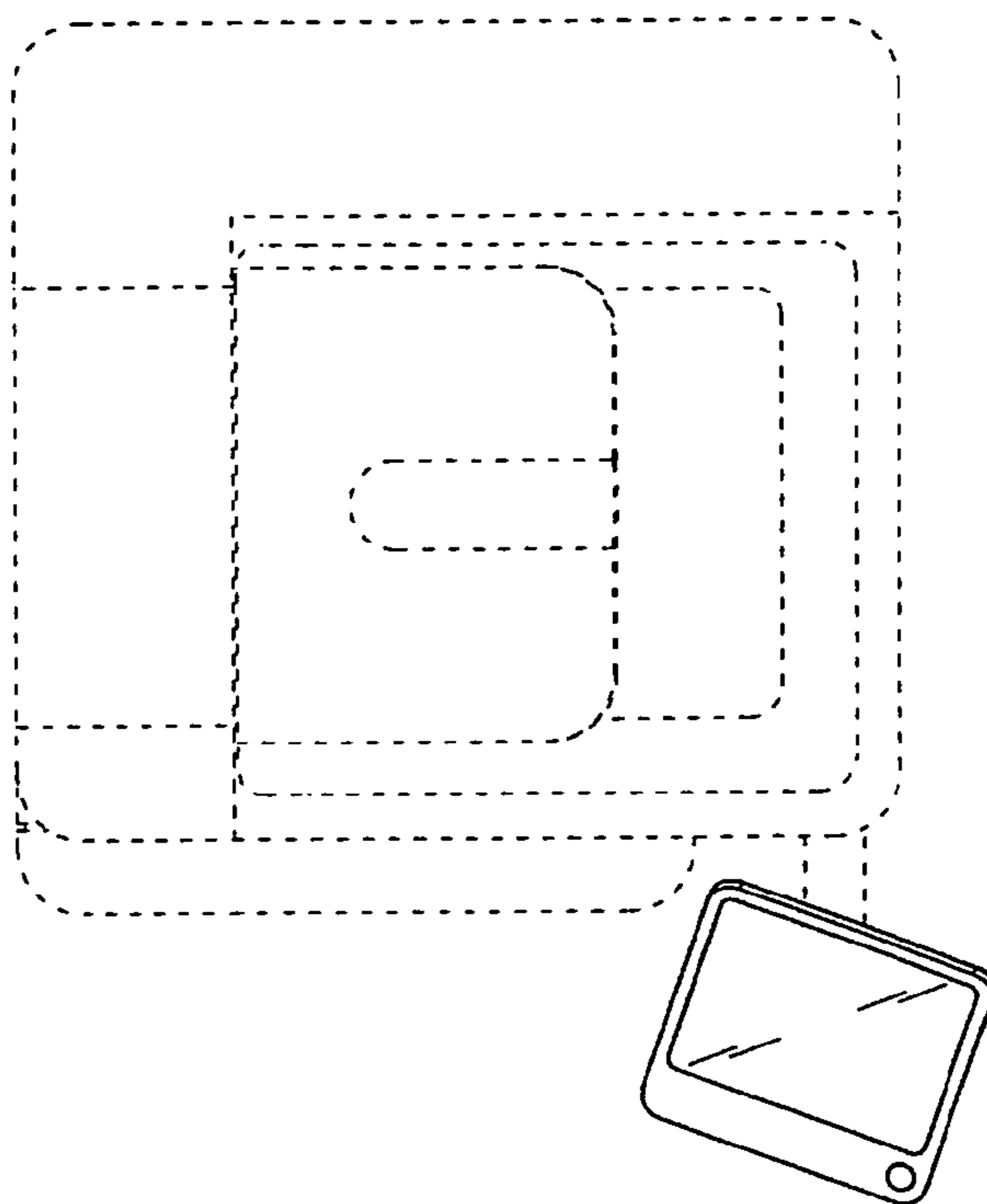


FIG. 8

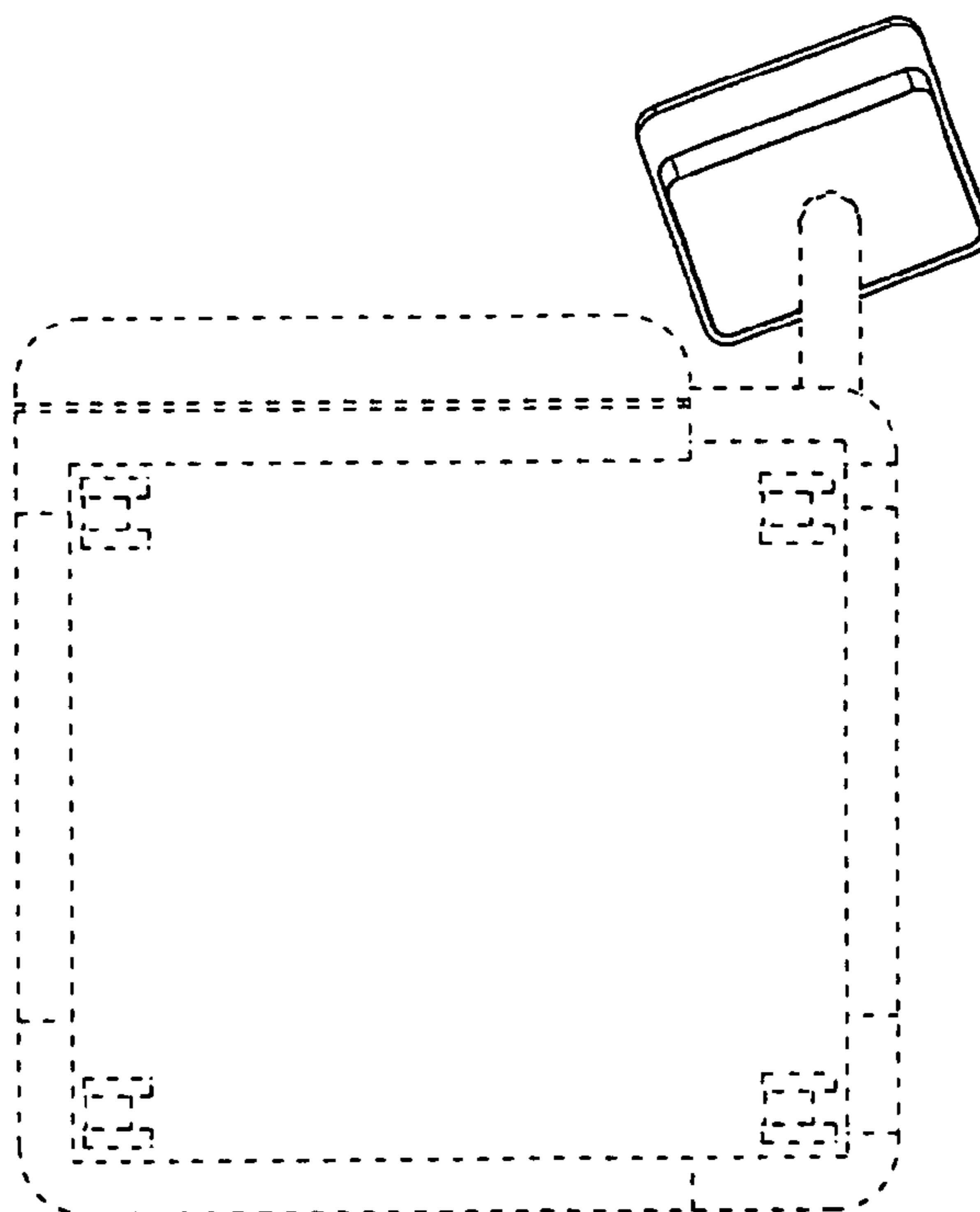


FIG. 9

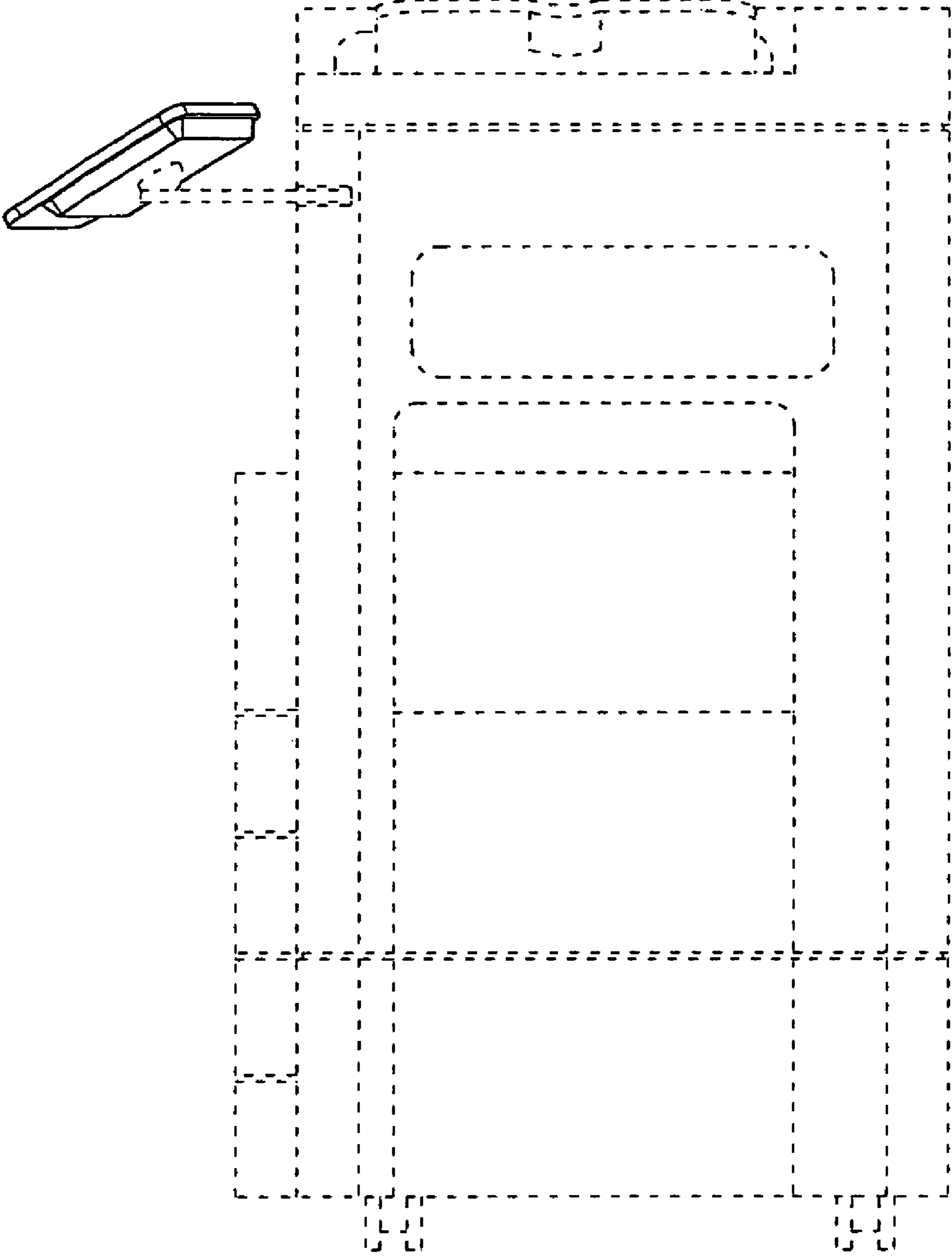


FIG. 10

