



US00D577057S

(12) **United States Design Patent**
Sato

(10) **Patent No.:** **US D577,057 S**
(45) **Date of Patent:** **** Sep. 16, 2008**

(54) **ELECTRONIC PIANO**

(75) Inventor: **Daizo Sato**, Hamamatsu (JP)

(73) Assignee: **Yamaha Corporation**, Hamamatsu-shi (JP)

(**) Term: **14 Years**

(21) Appl. No.: **29/299,178**

(22) Filed: **Dec. 20, 2007**

(30) **Foreign Application Priority Data**

Jul. 25, 2007 (JP) 2007-020142

(51) **LOC (8) Cl.** **17-01**

(52) **U.S. Cl.** **D17/7**

(58) **Field of Classification Search** D17/1,
D17/2, 7; 84/13, 17, 172, 174, 423 R, 719,
84/744

See application file for complete search history.

(56) **References Cited**

U.S. PATENT DOCUMENTS

2,947,210 A * 8/1960 Facey et al. 84/177
D227,572 S * 7/1973 Wyatt D19/60
D308,215 S * 5/1990 Katsuhara D17/7
D467,607 S * 12/2002 Yanase et al. D17/7
D546,374 S * 7/2007 Saito D17/1

D554,692 S * 11/2007 Utsunomiya et al. D17/1
D554,693 S * 11/2007 Kuramochi et al. D17/7
D555,710 S * 11/2007 Suzuki D17/1
D557,328 S * 12/2007 Miyashita et al. D17/7

FOREIGN PATENT DOCUMENTS

JP 2007047689 A * 2/2007

* cited by examiner

Primary Examiner—Ian Simmons

Assistant Examiner—Rashida Johnson

(74) *Attorney, Agent, or Firm*—Sughrue Mion, PLLC

(57) **CLAIM**

The ornamental design for an electronic piano, as shown.

DESCRIPTION

FIG. 1 is a perspective view of the top, front and left side of an electronic piano showing my new design;

FIG. 2 is a front elevational view thereof;

FIG. 3 is a rear elevational view thereof;

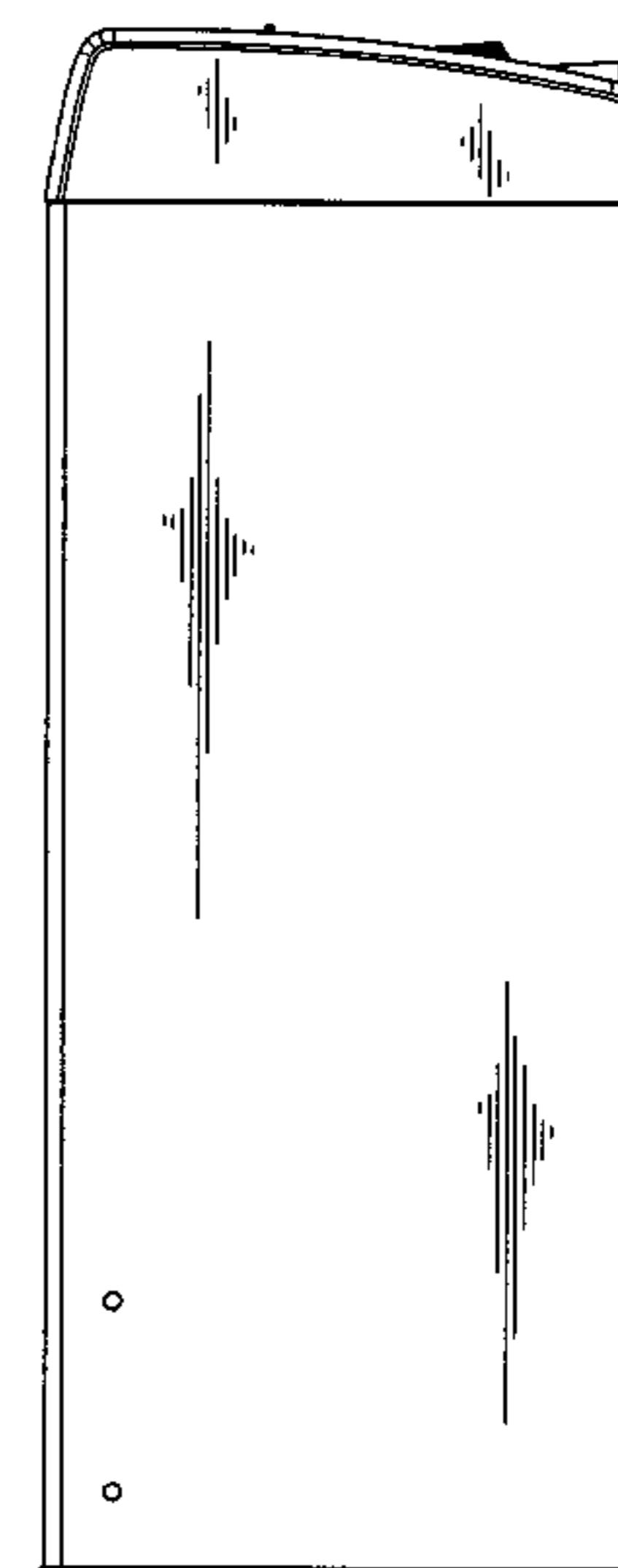
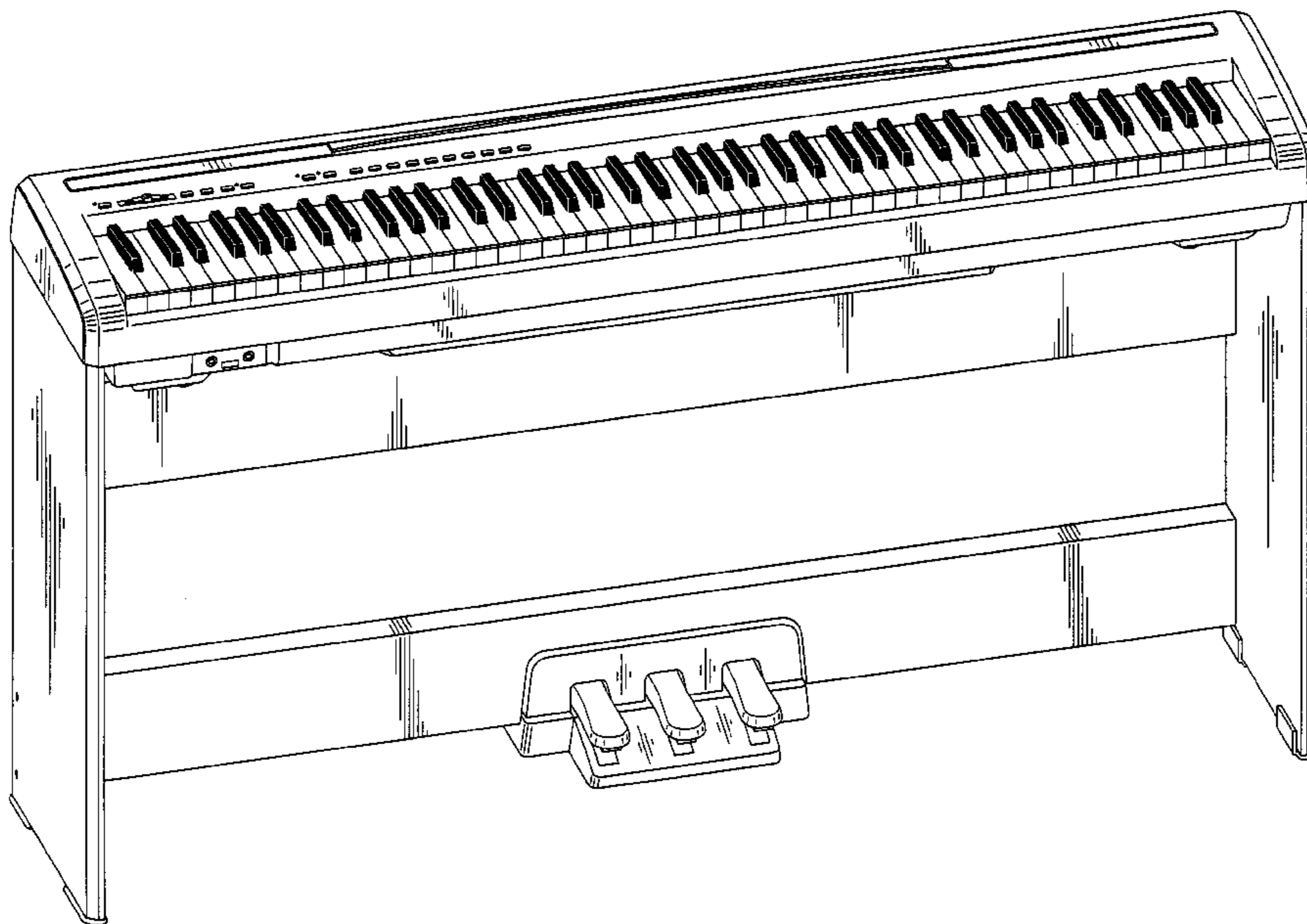
FIG. 4 is a top plan view thereof;

FIG. 5 is a bottom plan view thereof;

FIG. 6 is a left side elevational view thereof; and,

FIG. 7 is a right side elevational view thereof.

1 Claim, 5 Drawing Sheets



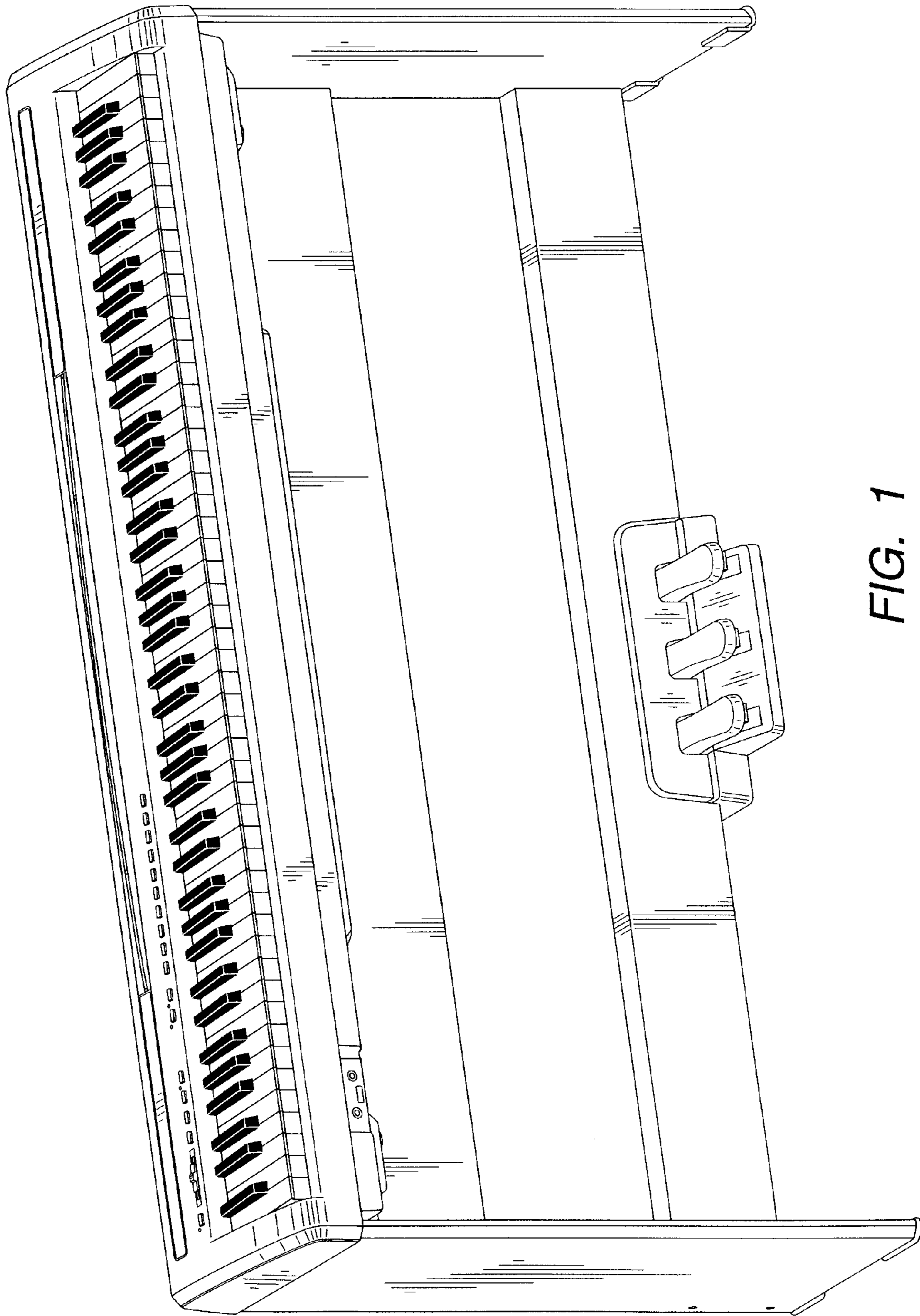


FIG. 1

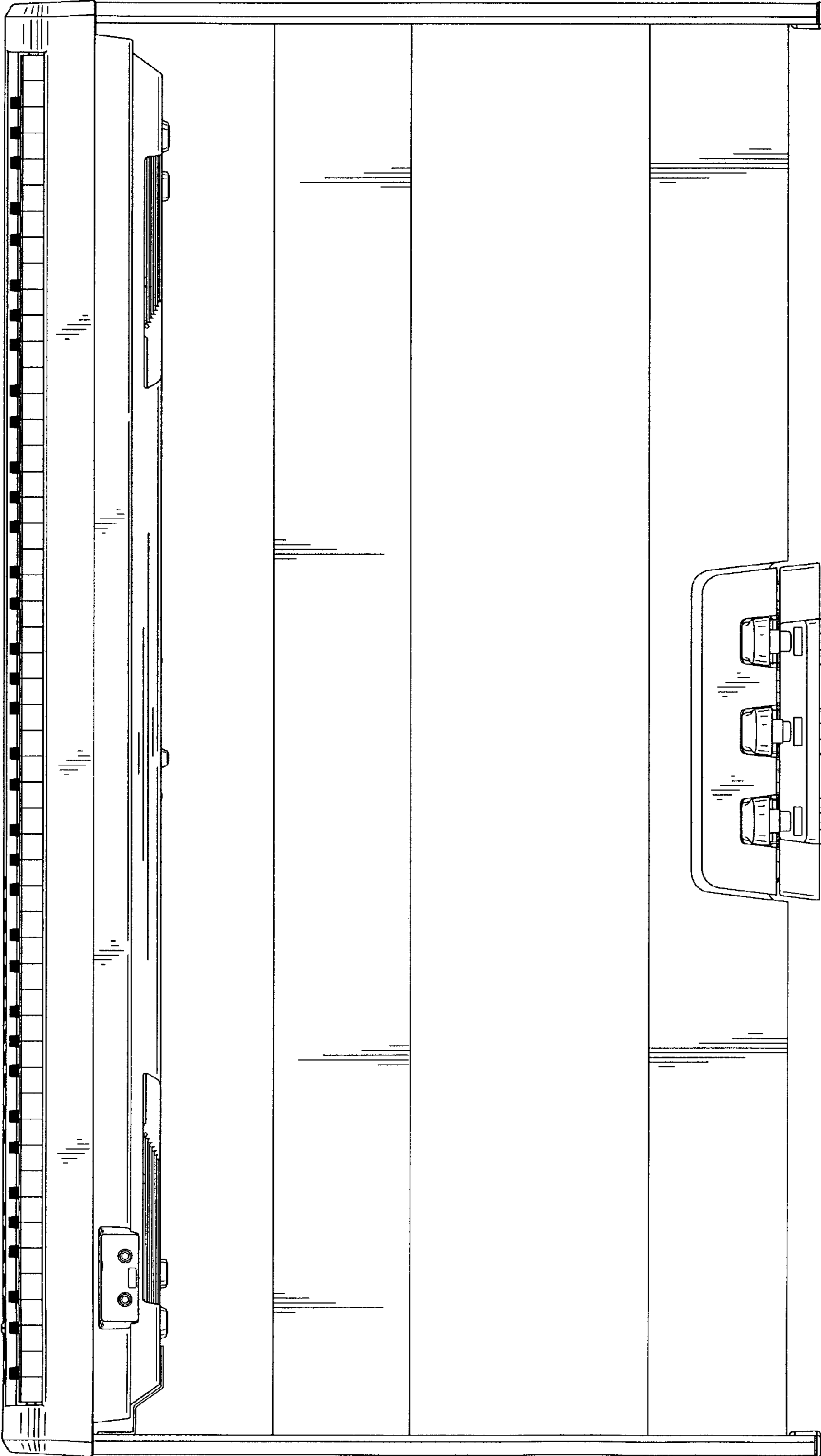


FIG. 2

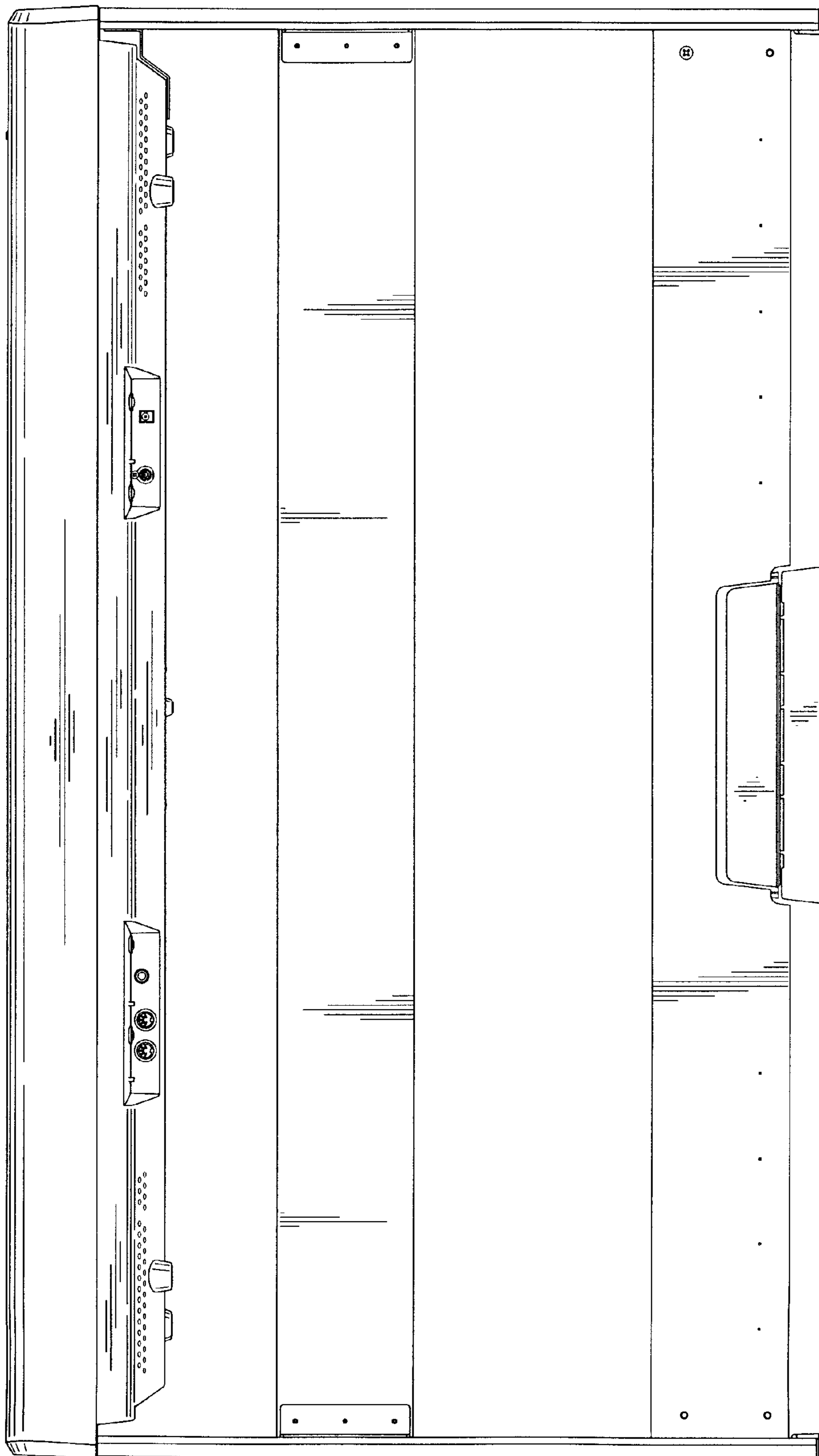


FIG. 3

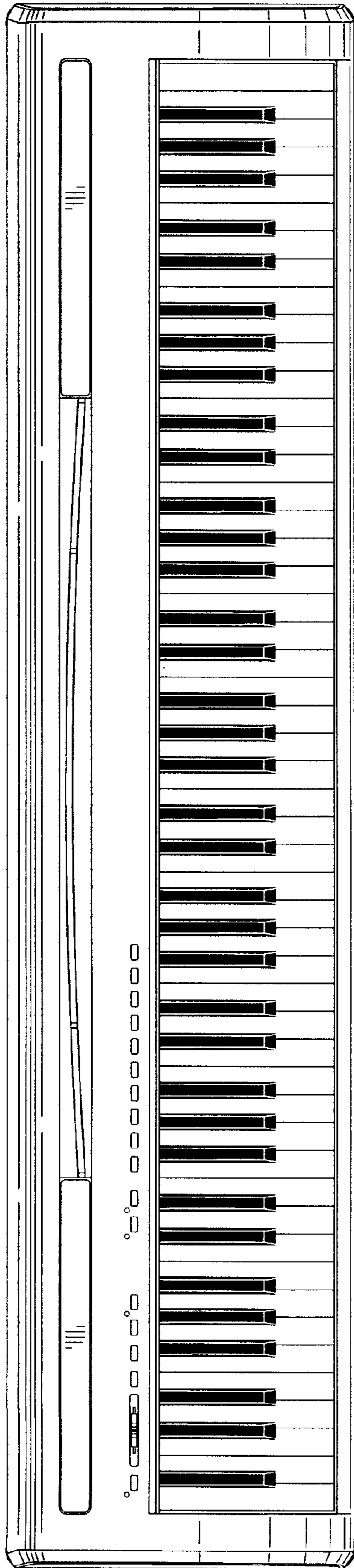


FIG. 4

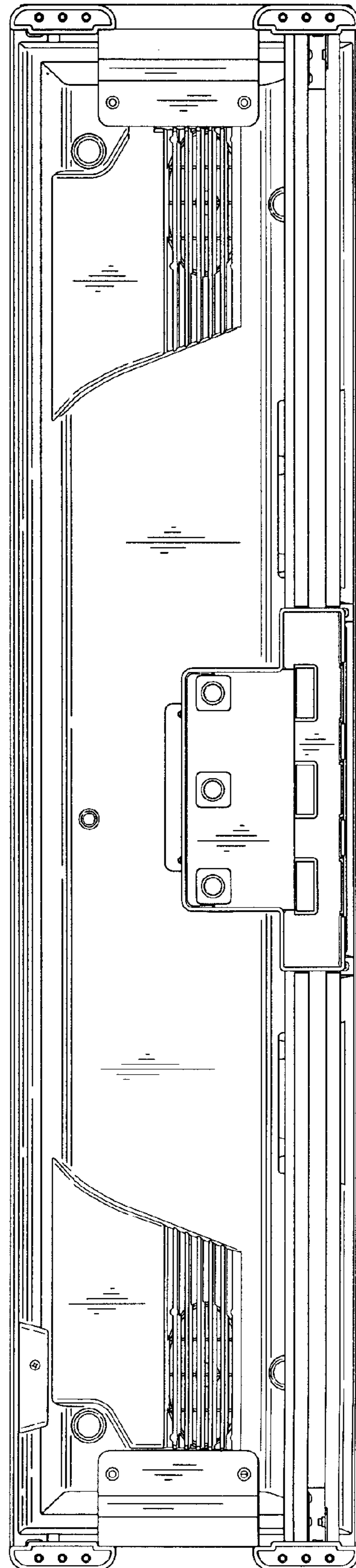


FIG. 5

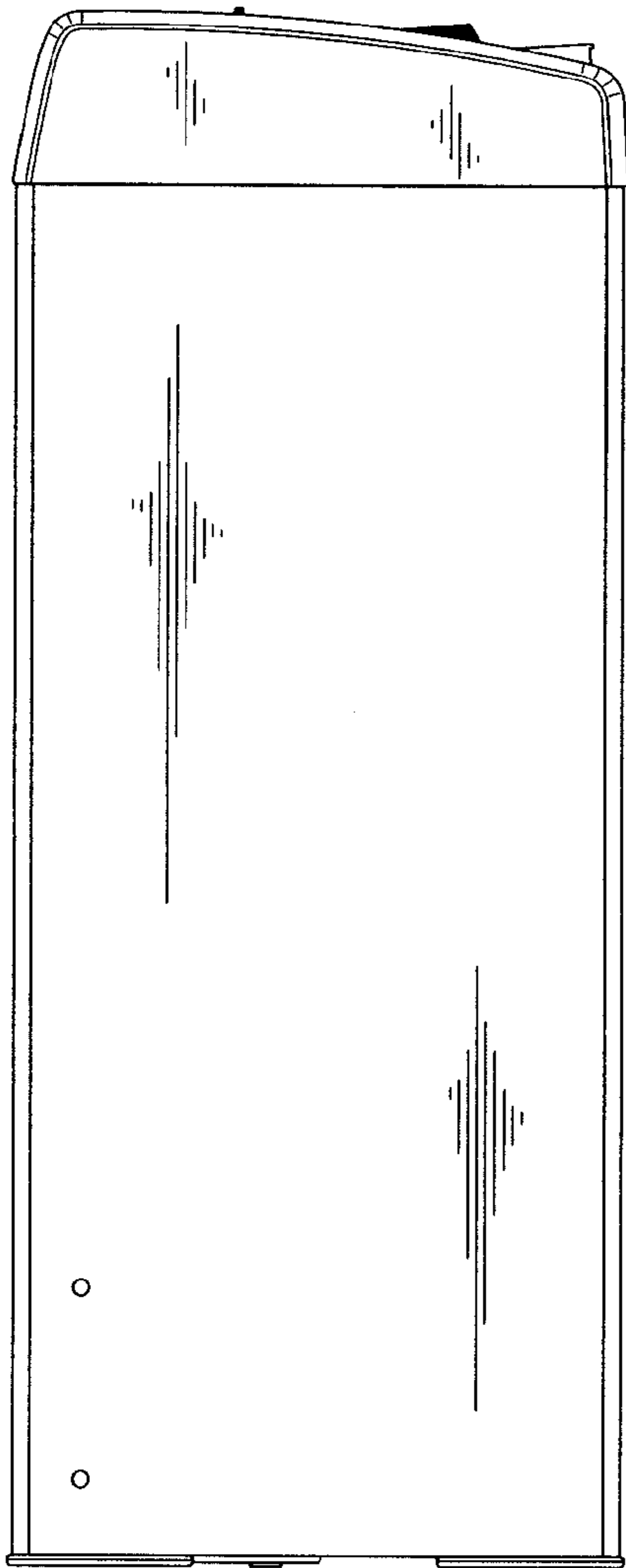


FIG. 6

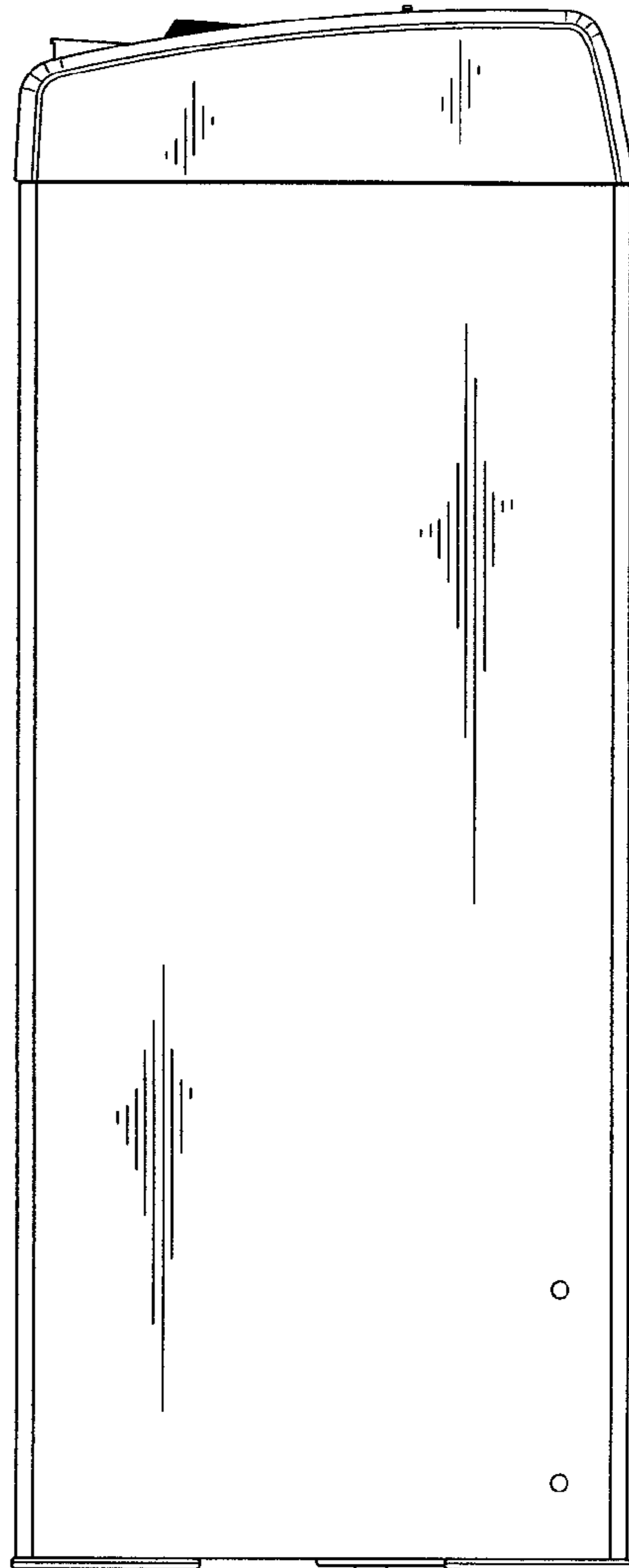


FIG. 7