



US00D577053S

(12) **United States Design Patent**
Watanabe

(10) **Patent No.:** **US D577,053 S**

(45) **Date of Patent:** **** Sep. 16, 2008**

(54) **STROBE**

D271,210 S * 11/1983 Shull D16/239
4,816,854 A * 3/1989 Tsuji et al. 362/17
5,565,941 A * 10/1996 Kaneko 396/155

(75) Inventor: **Akira Watanabe**, Saitama (JP)

(73) Assignee: **PENTAX Corporation**, Tokyo (JP)

(**) Term: **14 Years**

(21) Appl. No.: **29/283,419**

(22) Filed: **Aug. 14, 2007**

(30) **Foreign Application Priority Data**

Feb. 15, 2007 (JP) 2007-003587

(51) **LOC (8) Cl.** **16-05**

(52) **U.S. Cl.** **D16/240; D16/239**

(58) **Field of Classification Search** D16/237,
D16/239, 240; 362/3, 16-18; 396/155, 171,
396/180, 182

See application file for complete search history.

(56) **References Cited**

U.S. PATENT DOCUMENTS

D241,273 S * 8/1976 Okuno D16/240
D252,209 S * 6/1979 Taylor D16/239
D263,720 S * 4/1982 Takematsu D16/240

* cited by examiner

Primary Examiner—Adir Aronovich

(74) *Attorney, Agent, or Firm*—Sughrue Mion, PLLC

(57) **CLAIM**

The ornamental design for a strobe, as shown and described.

DESCRIPTION

FIG. 1 is a perspective view of the top, front and right side of a strobe showing my new design;

FIG. 2 is a front elevational view thereof;

FIG. 3 is a rear elevational view thereof;

FIG. 4 is a right side elevational view thereof;

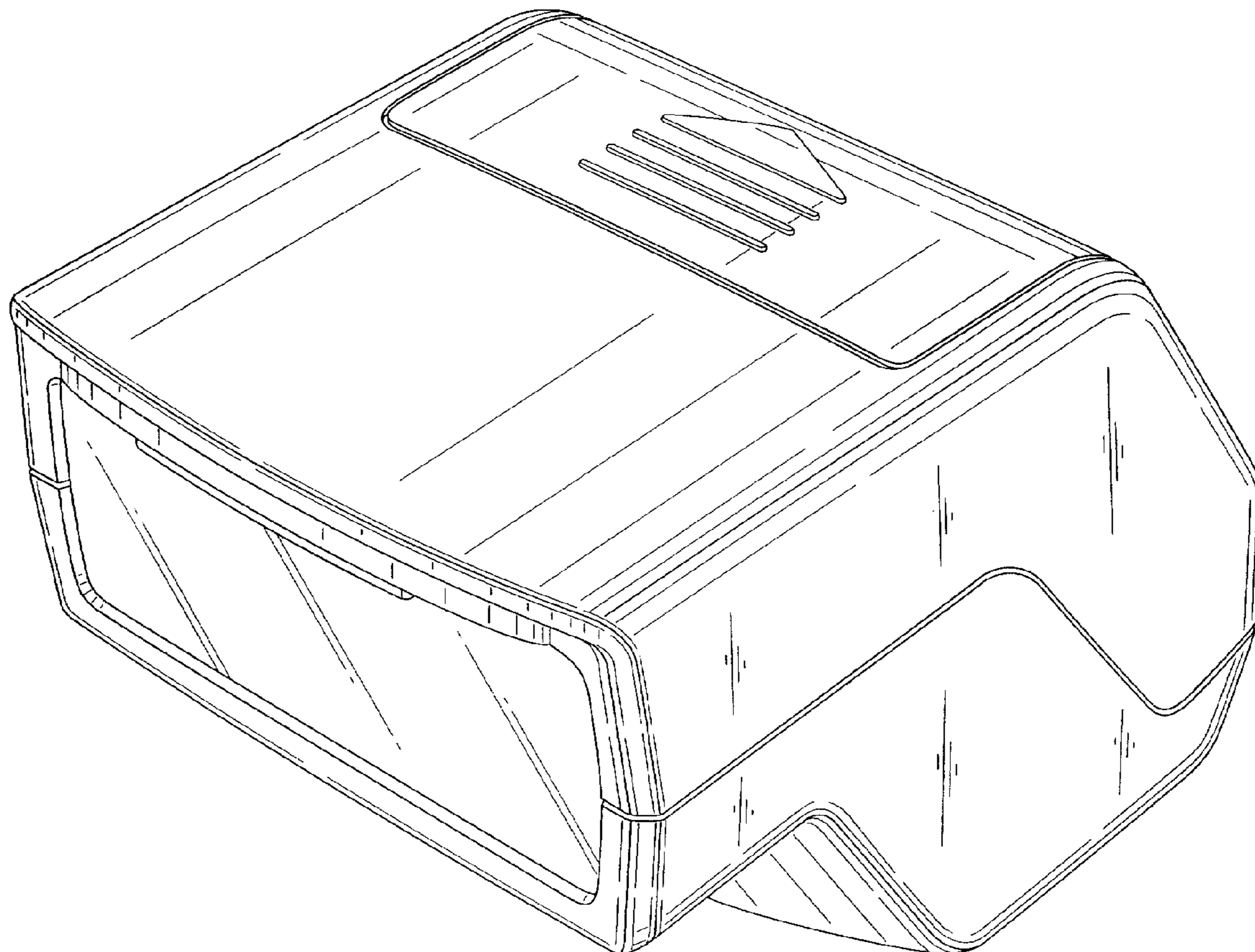
FIG. 5 is a left side elevational view thereof;

FIG. 6 is a top plan view thereof; and,

FIG. 7 is a bottom plan view thereof.

The portions shown in broken lines are for illustrative purposes only and form no part of the claimed design.

1 Claim, 7 Drawing Sheets



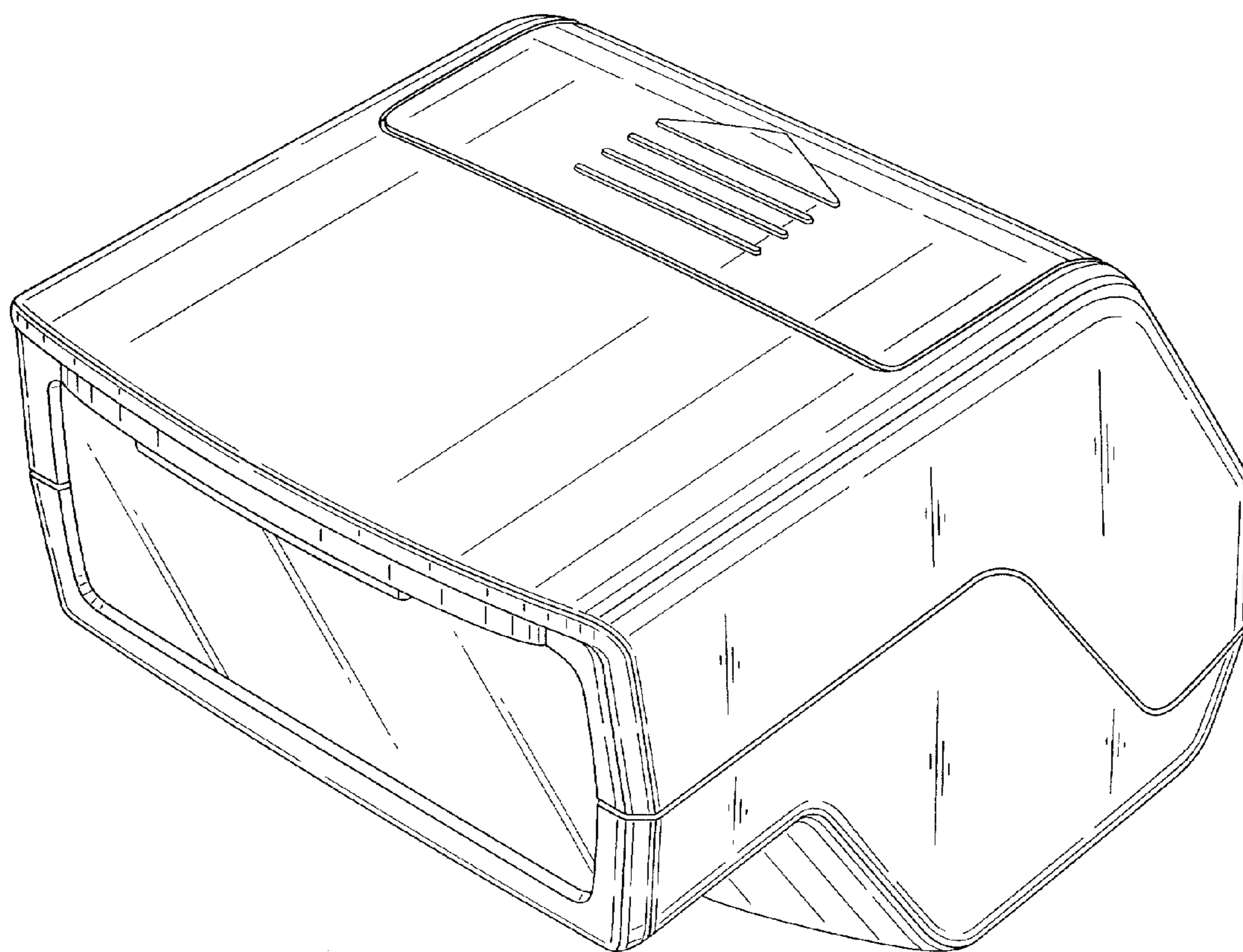


FIG. 1

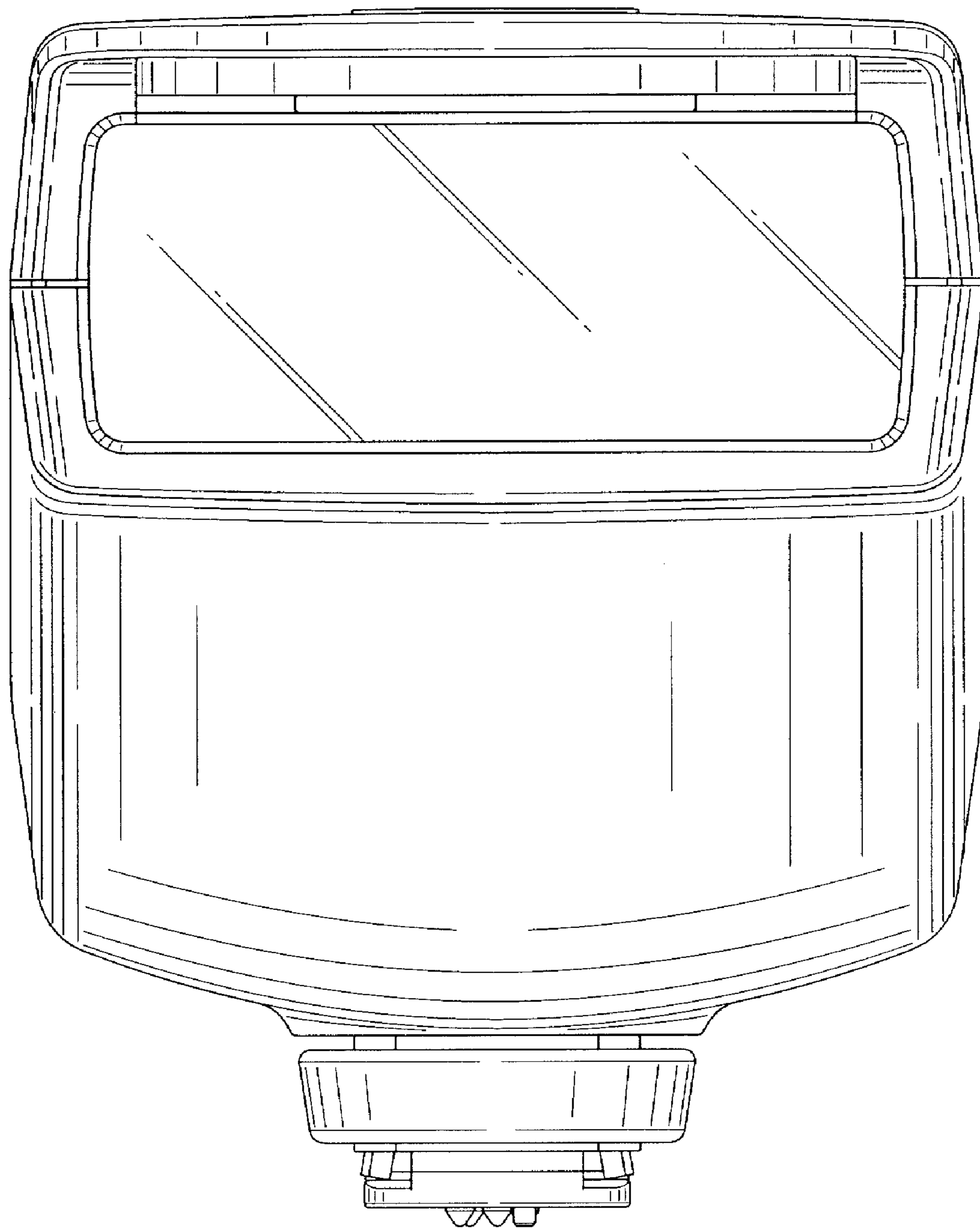


FIG. 2

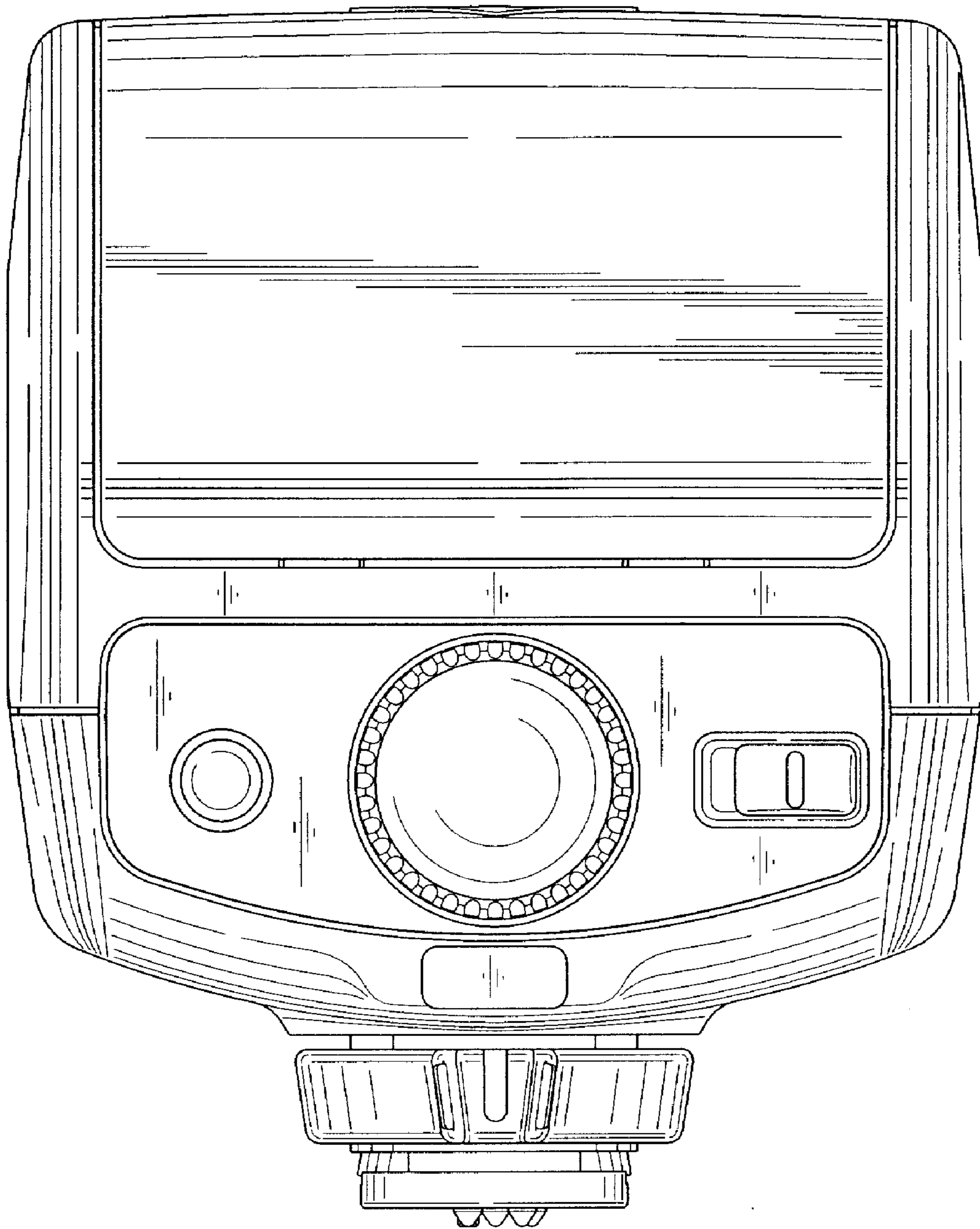


FIG. 3

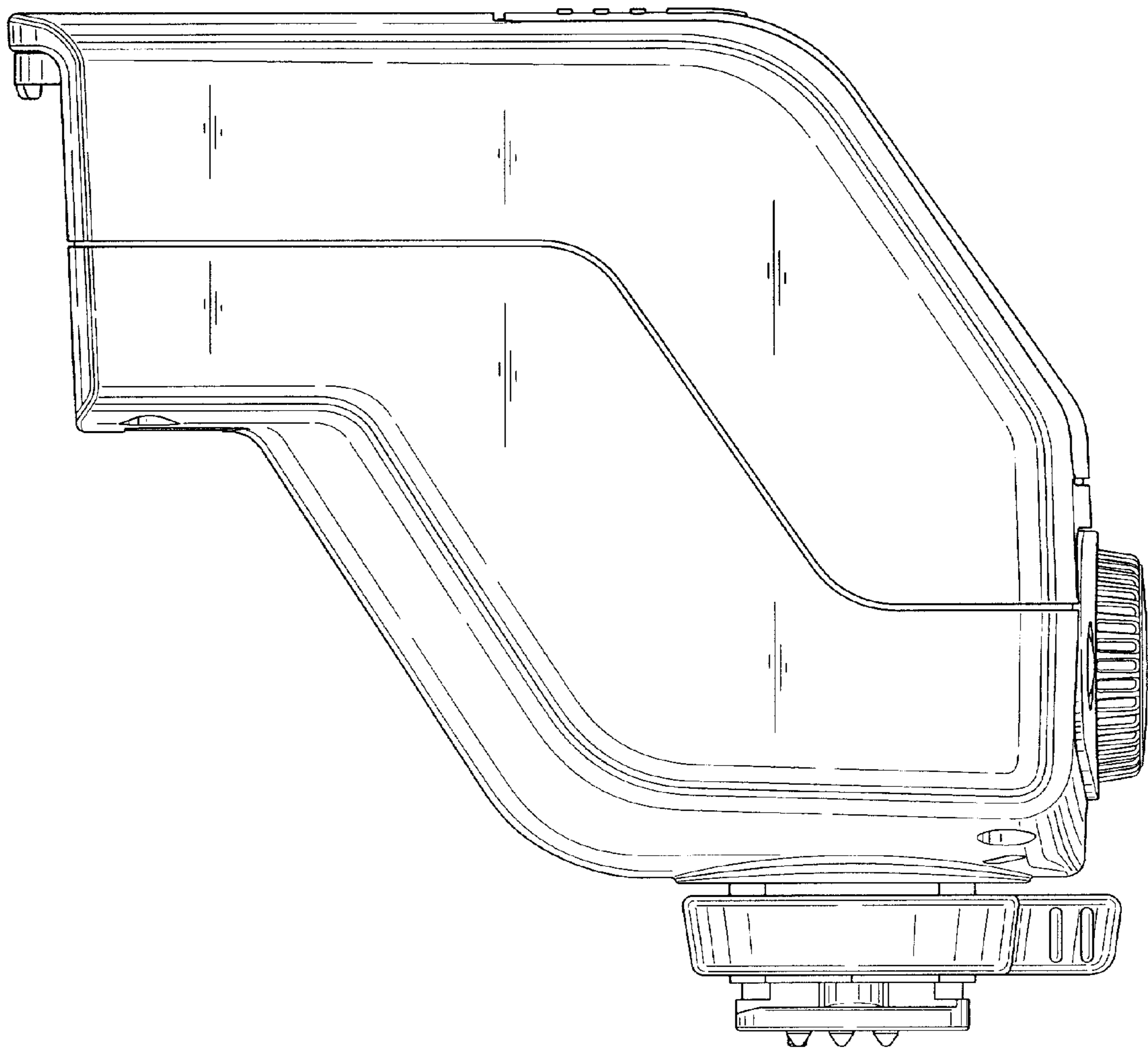


FIG. 4

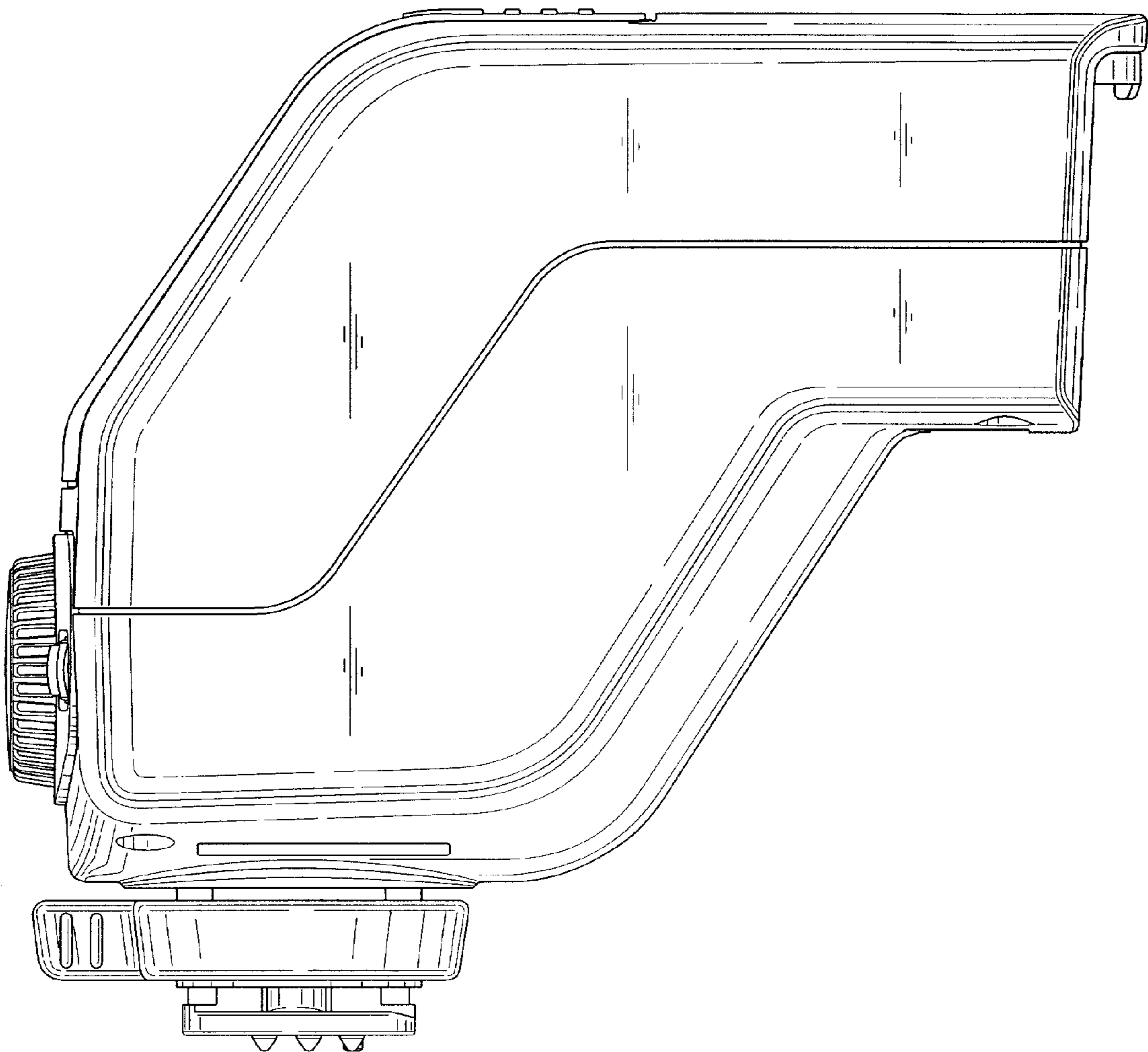


FIG. 5

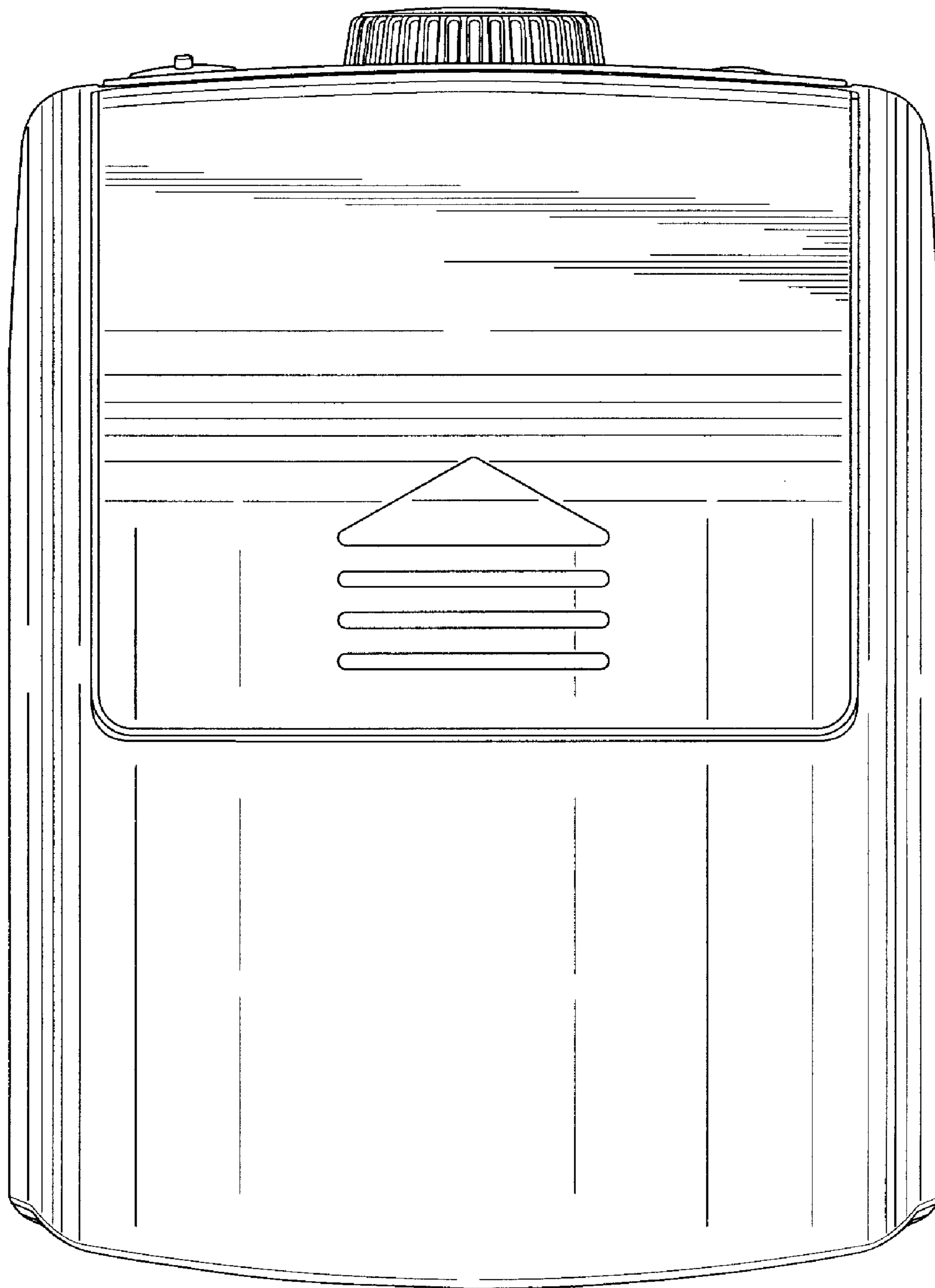


FIG. 6

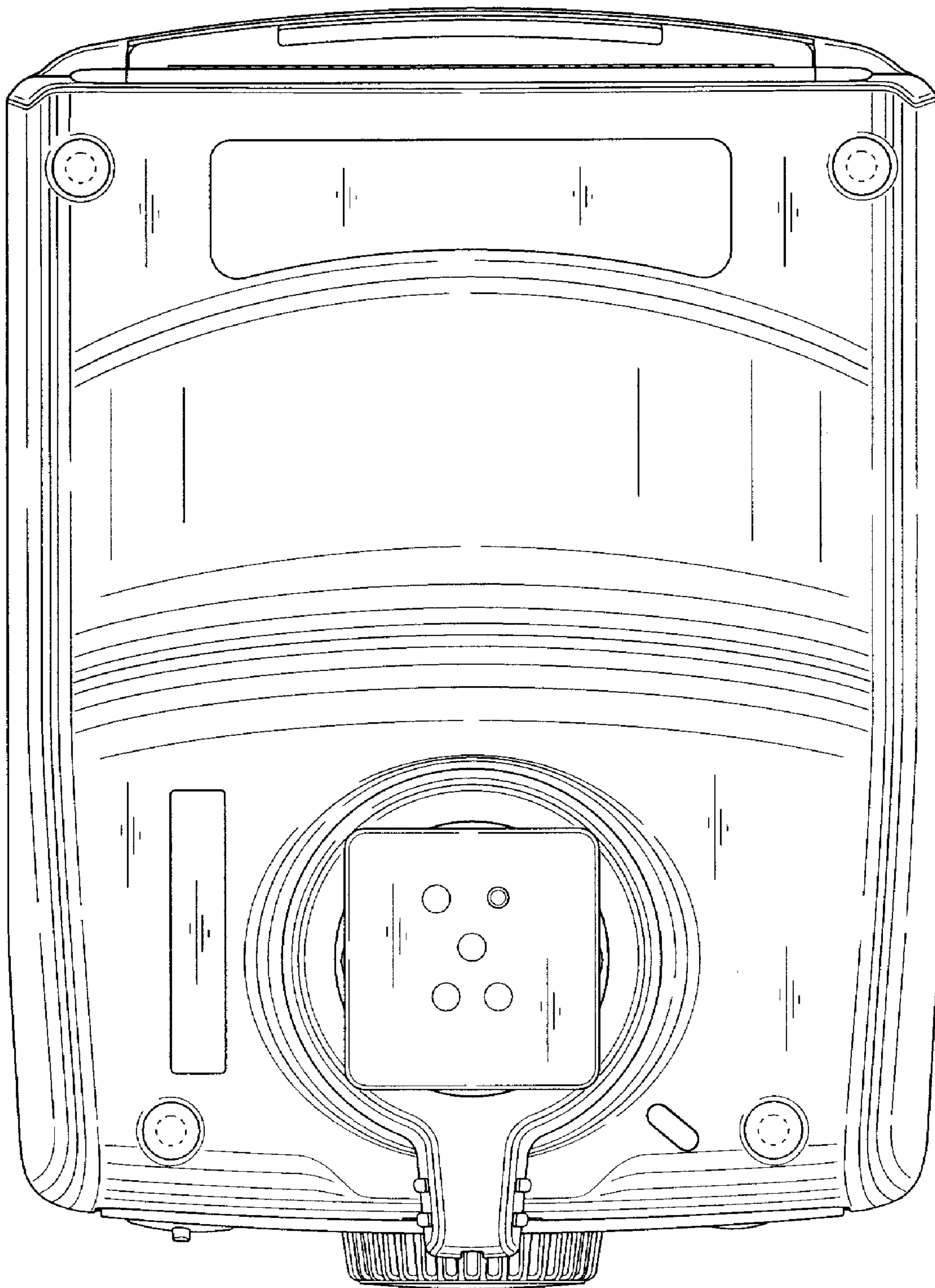


FIG. 7