

US00D577052S

(12) **United States Design Patent**
Orion et al.

(10) **Patent No.:** **US D577,052 S**
(45) **Date of Patent:** **** Sep. 16, 2008**

(54) **CAMERA/CAMCORDER LIGHT**

(75) Inventors: **Storm Orion**, Pittsburgh, PA (US);
Justin Kuntz, Pittsburgh, PA (US)

(73) Assignee: **Sima Products Corporation**, Oakmont,
PA (US)

(**) Term: **14 Years**

(21) Appl. No.: **29/286,472**

(22) Filed: **May 7, 2007**

(51) **LOC (8) Cl.** **16-05**

(52) **U.S. Cl.** **D16/239**

(58) **Field of Classification Search** D16/237,
D16/239, 240; 362/3, 16-18; 396/155, 171,
396/180, 182

See application file for complete search history.

(56) **References Cited**

U.S. PATENT DOCUMENTS

D241,372 S *	9/1976	Tomatsuri	D16/239
D243,082 S *	1/1977	Kramer et al.	D16/239
D245,613 S *	8/1977	Woodring et al.	D16/239
D250,267 S *	11/1978	Prochnow et al.	D16/239
D545,866 S *	7/2007	Eroma	D16/239

OTHER PUBLICATIONS

Sima Products, SL-7 and SL-8 Product Sheet, 1997.
Sima Products, SL-9X Product Sheet, Jan. 17, 2005.
Sima Products, Model SL-10LX Product Sheet, Sep. 8, 2006.

* cited by examiner

Primary Examiner—Adir Aronovich

(74) *Attorney, Agent, or Firm*—Buchanan Ingersoll &
Rooney PC

(57) **CLAIM**

The ornamental design for a camera/camcorder light, as
shown and described.

DESCRIPTION

FIG. 1 is a bottom and front perspective view of a camera/
camcorder light showing our new design;

FIG. 2 is a front elevational view thereof;

FIG. 3 is a rear elevational view thereof;

FIG. 4 is a bottom plan view thereof;

FIG. 5 is a left side elevational view thereof, the right side
being a mirror image of the left side;

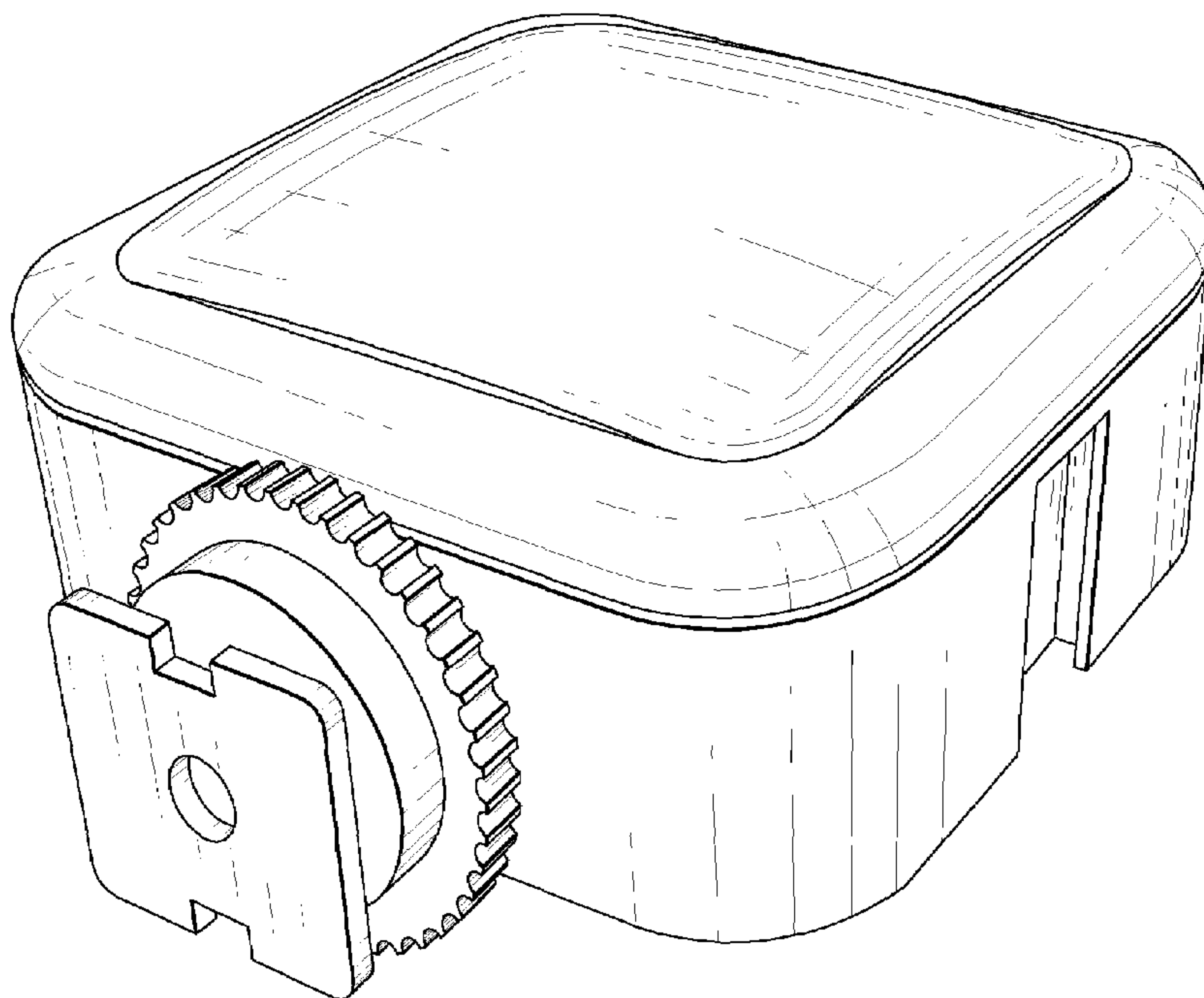
FIG. 6 is a top plan view thereof; and,

FIG. 7 is a reduced front elevational view of the camera/
camcorder light shown being connected to three similar lights
disclosed in broken lines.

Certain environmental features are shown in dotted line in the
figures and form no part of the claimed design.

The broken line portions in FIGS. 3 and 7 are shown to
illustrate environment only and form no part of the claimed
design.

1 Claim, 6 Drawing Sheets



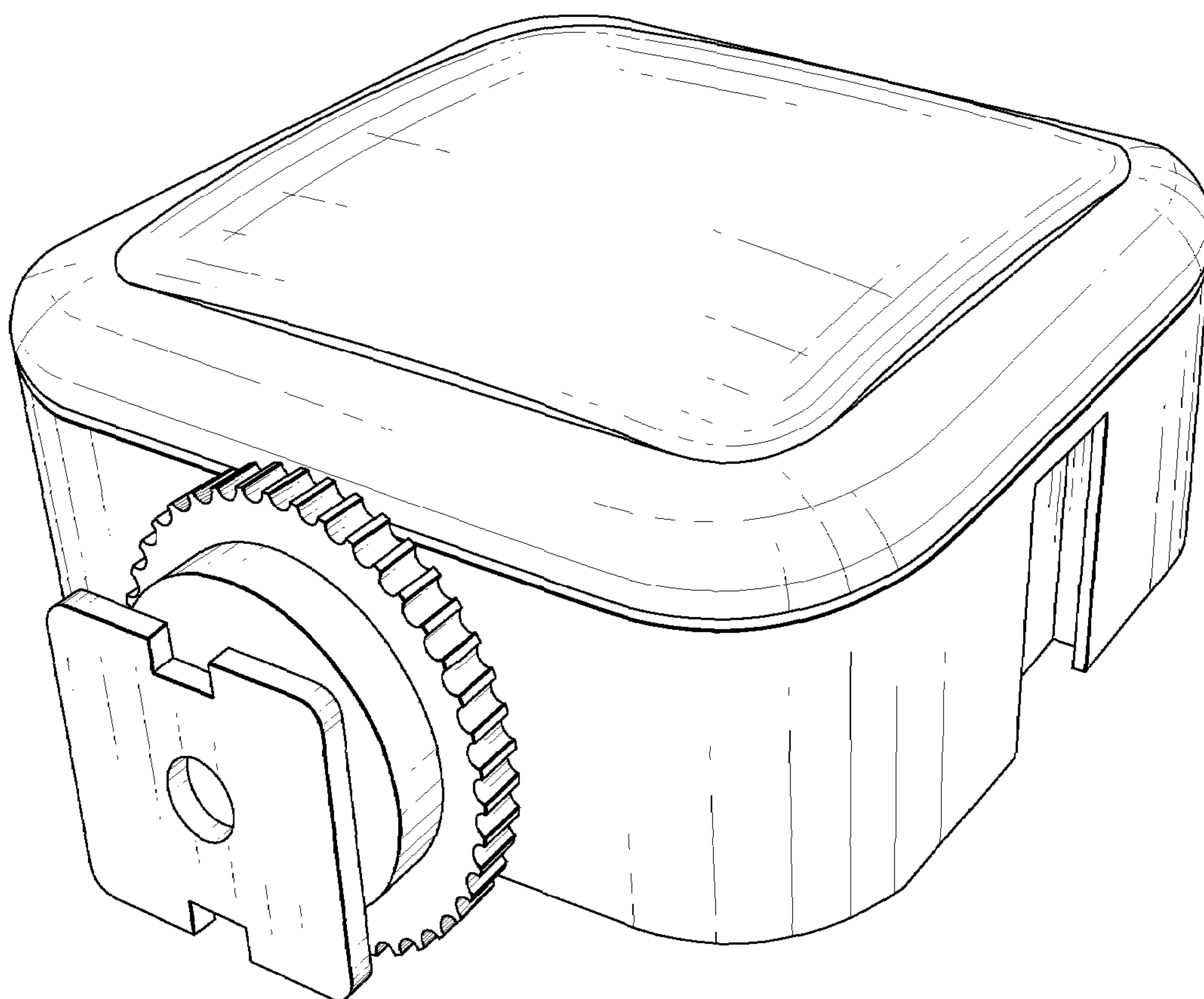


FIG. 1

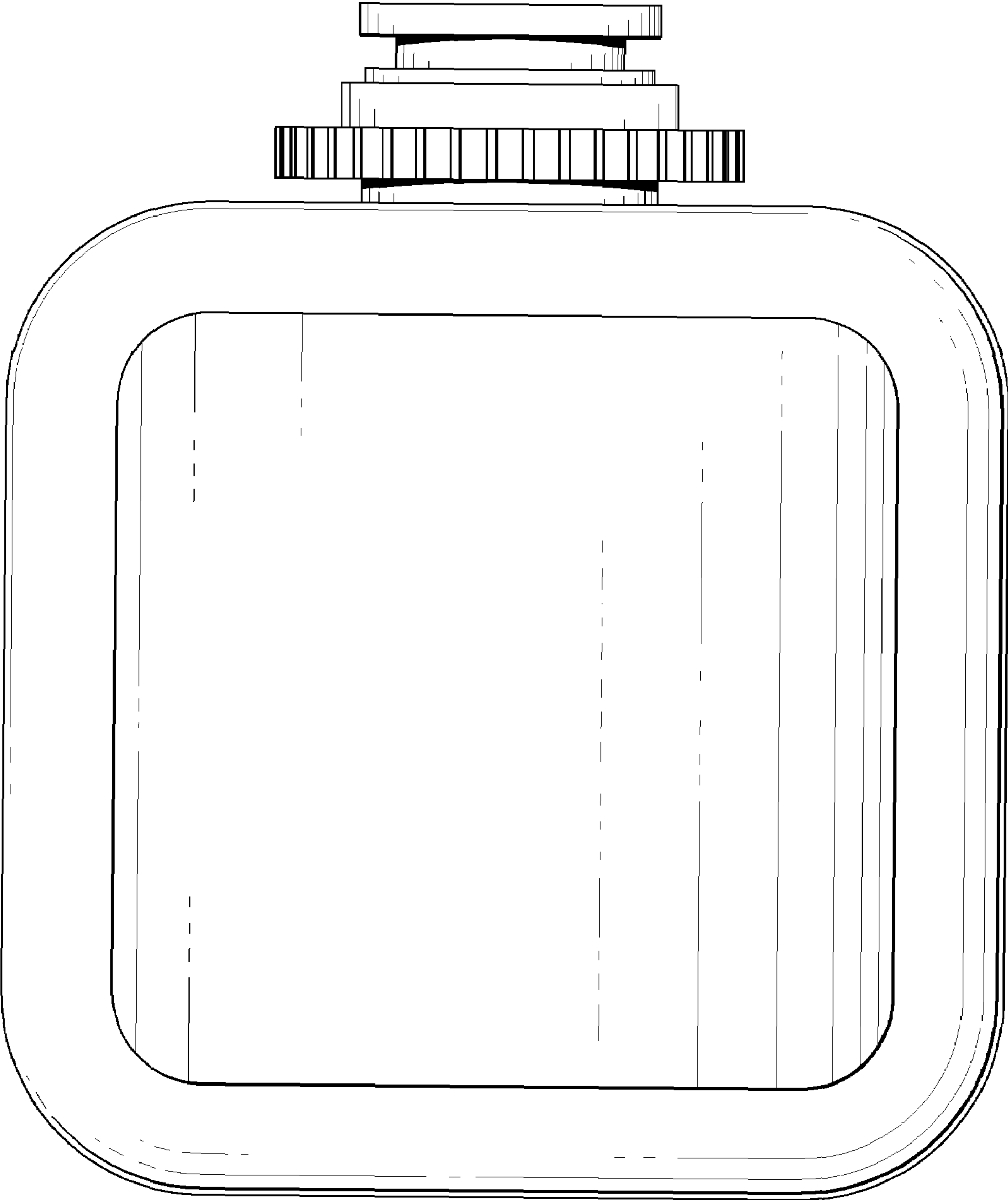


FIG. 2

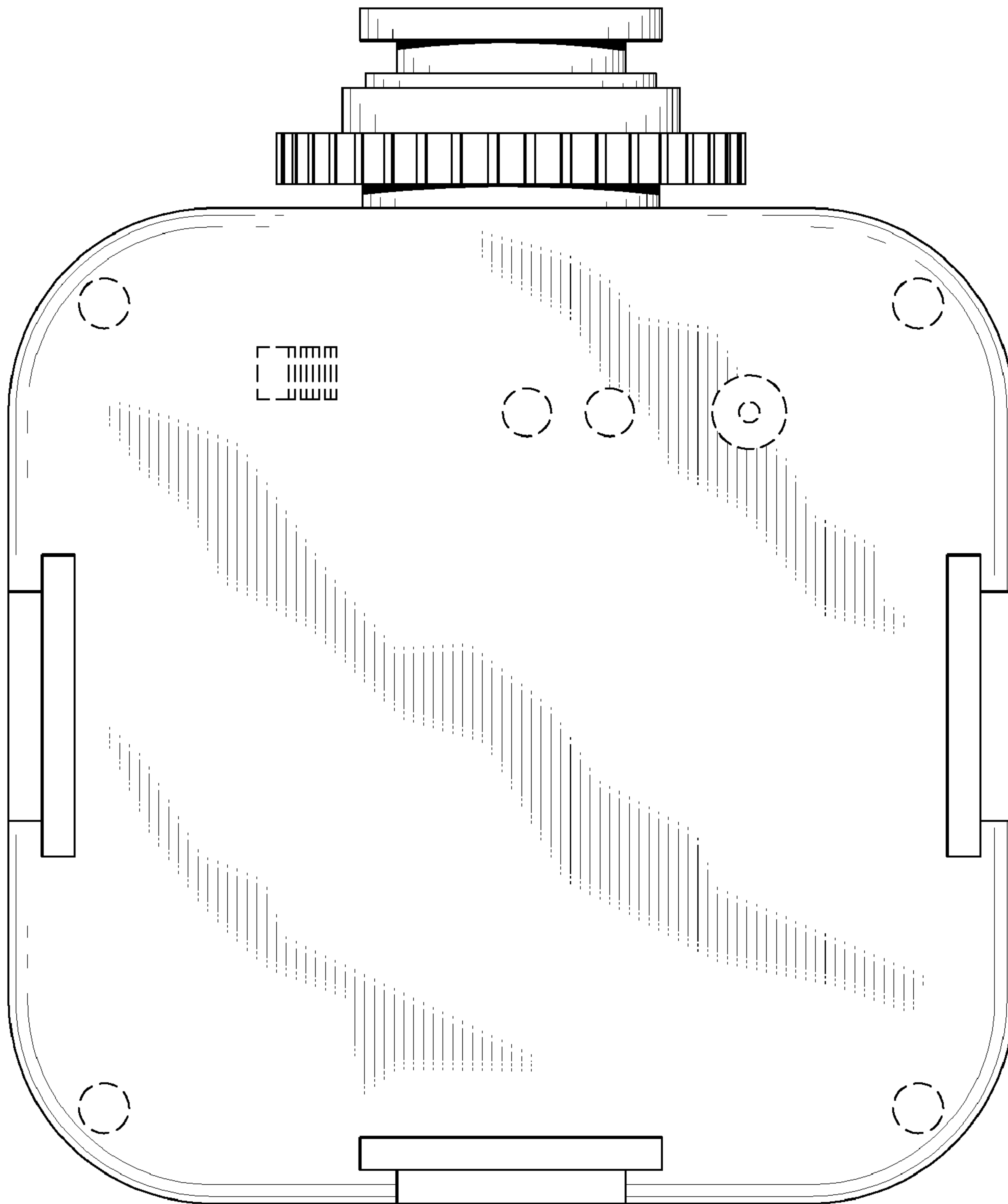


FIG. 3

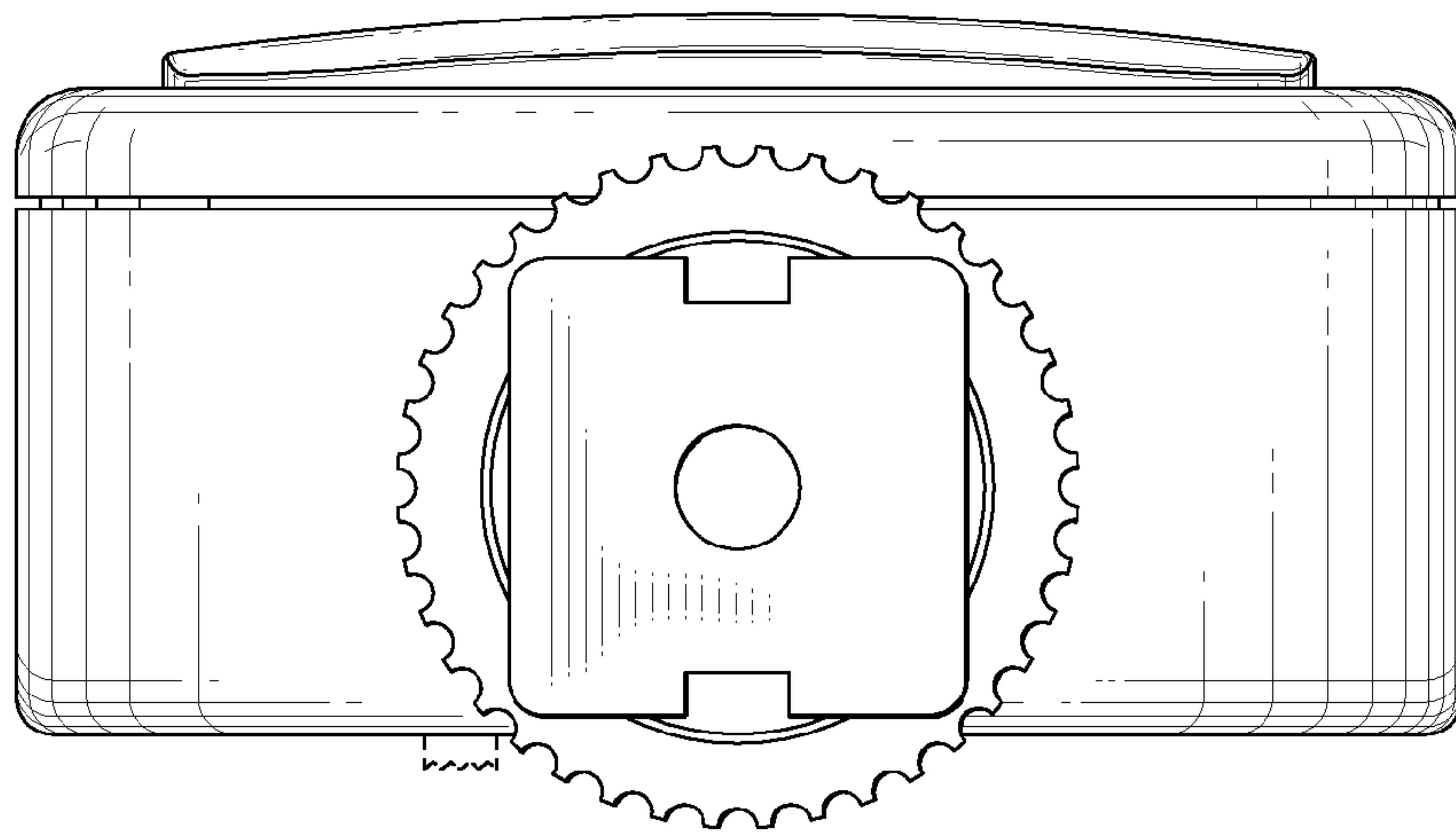


FIG. 4

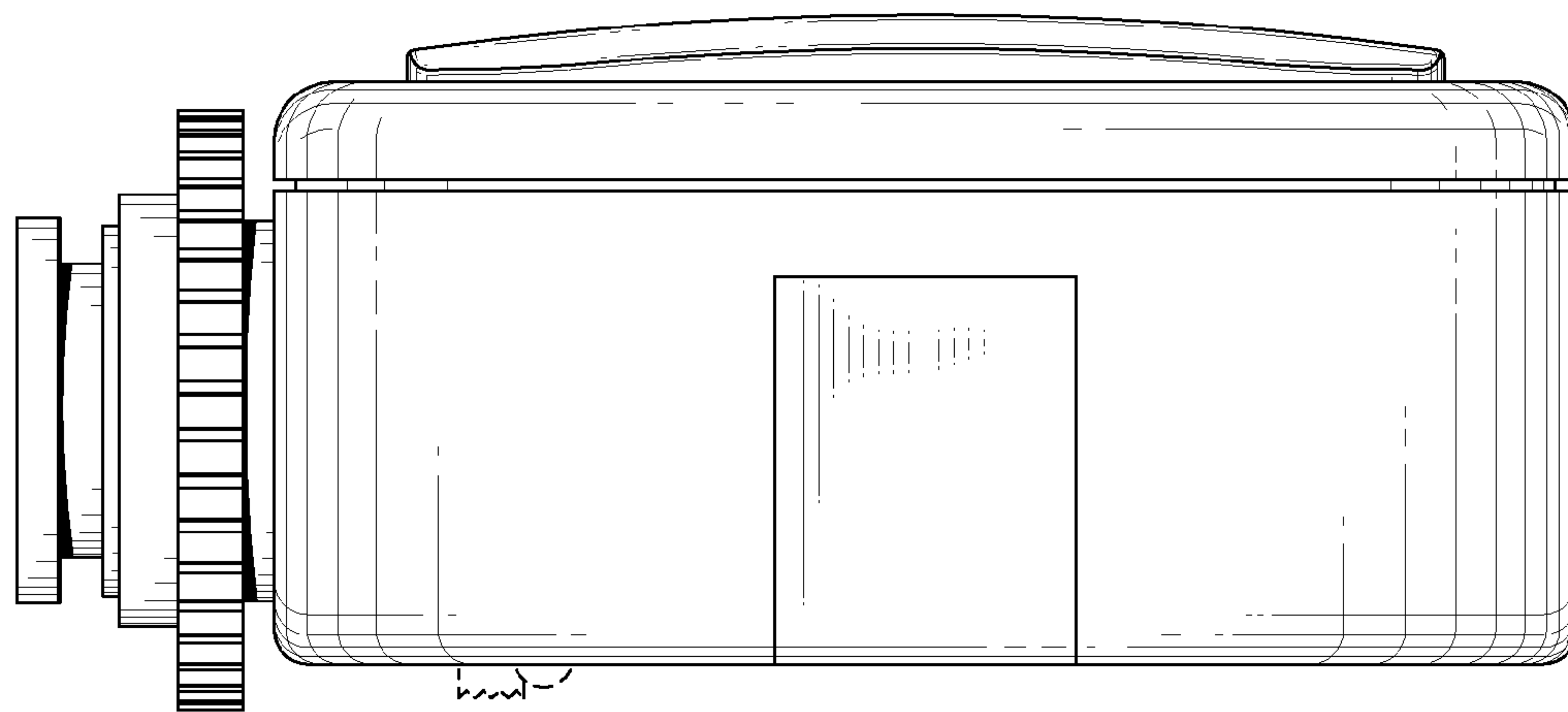


FIG. 5

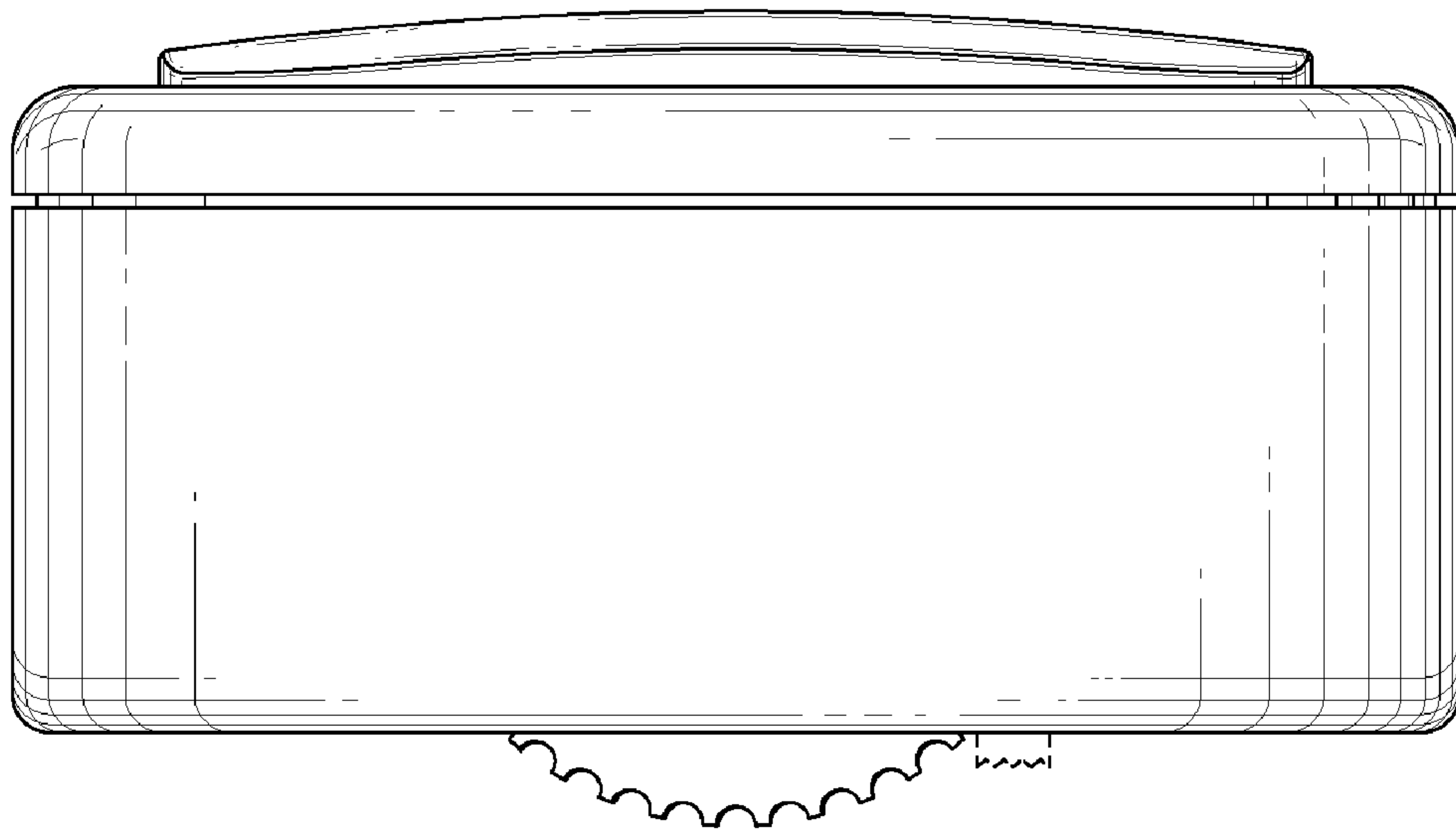


FIG. 6

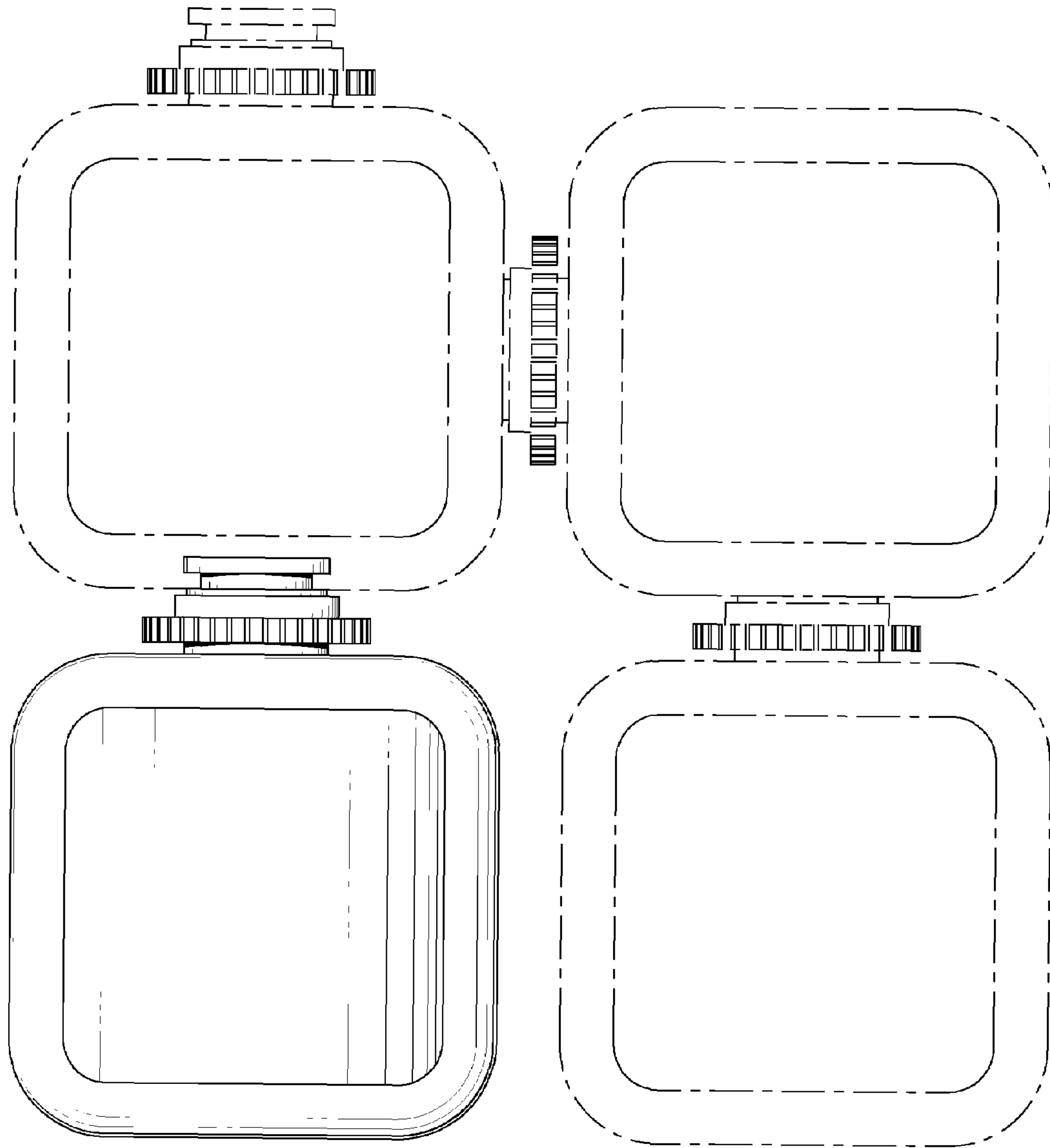


FIG. 7