



US00D577050S

(12) **United States Design Patent**
Dayan

(10) **Patent No.:** **US D577,050 S**
(45) **Date of Patent:** **** Sep. 16, 2008**

(54) **MOUNTABLE CAMERA**

5,260,731 A 11/1993 Baker, Jr.
D373,580 S 9/1996 Nakada
5,574,443 A 11/1996 Hsieh

(75) Inventor: **Maurice S. Dayan**, Oakhurst, NJ (US)

(73) Assignee: **Intellectual Solutions, Inc.**

(**) Term: **14 Years**

(Continued)

(21) Appl. No.: **29/303,462**

OTHER PUBLICATIONS

(22) Filed: **Feb. 8, 2008**

FrameCAM Installation Manual, by HitchCAM 5800 Bandini Blvd.,
Commerce, CA 900402.

Related U.S. Application Data

(Continued)

(63) Continuation of application No. 11/854,815, filed on Sep. 13, 2007, which is a continuation-in-part of application No. 11/778,339, filed on Jul. 16, 2007, now abandoned, which is a continuation-in-part of application No. 11/567,504, filed on Dec. 6, 2006, now Pat. No. 7,245,207, which is a continuation-in-part of application No. 29/252,238, filed on Jan. 20, 2006, now Pat. No. Des. 535,676, and a continuation-in-part of application No. 29/252,239, filed on Jan. 20, 2006, now Pat. No. Des. 536,360, and a continuation-in-part of application No. 29/252,296, filed on Jan. 20, 2006, now Pat. No. Des. 536,011, and a continuation-in-part of application No. 29/258,861, filed on Apr. 28, 2006, now Pat. No. Des. 536,016, and a continuation-in-part of application No. 29/258,863, filed on Apr. 28, 2006, now Pat. No. Des. 536,012.

Primary Examiner—Adir Aronovich

(74) *Attorney, Agent, or Firm*—Brian L. Belles; Buchanan Ingersoll & Rooney PC

(57)

CLAIM

The ornamental design for a mountable camera, as shown and described.

DESCRIPTION

FIG. 1 is a front top perspective view of a mountable camera showing my new design;

FIG. 2 is front bottom perspective view of the mountable camera of FIG. 1.

FIG. 3 is a front view of the mountable camera of FIG. 1.

FIG. 4 is a rear view of the mountable camera of FIG. 1.

FIG. 5 is a left-side view of the mountable camera of FIG. 1.

FIG. 6 is a right-side view of the mountable camera of FIG. 1.

FIG. 7 is a top view of the mountable camera of FIG. 1; and,

FIG. 8 is a bottom view of the mountable camera of FIG. 1.

The portions of the mountable camera in broken lines are shown for illustrative purposes only and form no part of the claimed design.

(51) **LOC (8) Cl.** **16-05**

(52) **U.S. Cl.** **D16/219; D16/218**

(58) **Field of Classification Search** D16/200–204,
D16/208, 218, 219; 340/345, 346; 348/118,
348/143, 148, 152, 373; 396/419, 429, 535,
396/540, 541

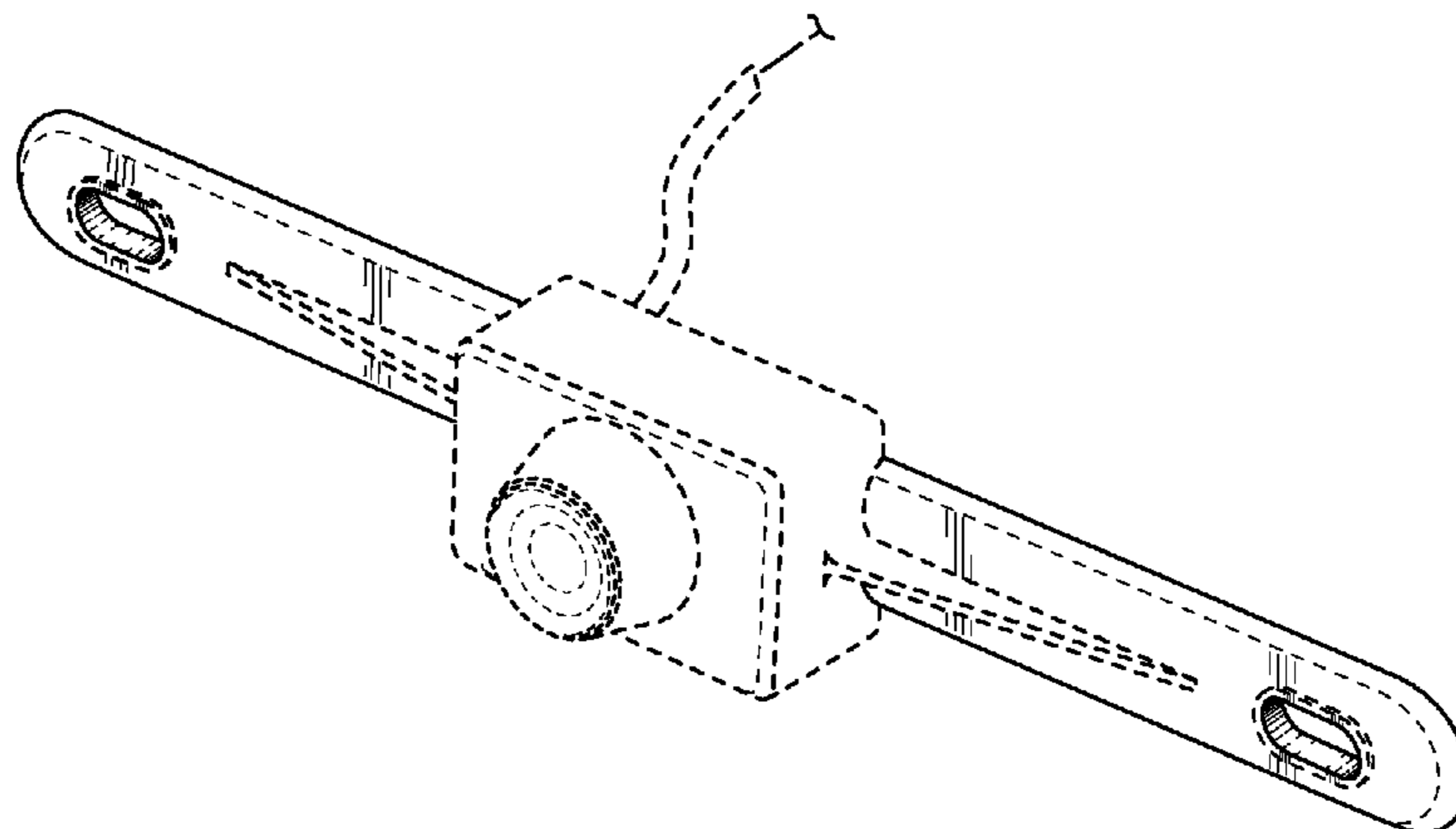
See application file for complete search history.

(56) **References Cited**

U.S. PATENT DOCUMENTS

4,895,326 A 1/1990 Nimpoeno

1 Claim, 3 Drawing Sheets



U.S. PATENT DOCUMENTS

D378,095 S 2/1997 Hasegawa
 D388,107 S 12/1997 Huckins
 D388,450 S 12/1997 Hamano
 5,835,808 A 11/1998 Parker et al.
 5,852,754 A 12/1998 Schneider
 5,947,440 A 9/1999 Cho
 6,025,784 A 2/2000 Mish
 D425,558 S 5/2000 Tarpenning
 6,175,300 B1 1/2001 Kendrick
 D451,097 S 11/2001 Schmeisser
 D451,505 S 12/2001 Iseki
 D454,146 S 3/2002 Mori
 D454,902 S * 3/2002 Hsu et al. D16/218
 6,433,680 B1 8/2002 Ho
 D463,432 S 9/2002 Bruckner
 D470,140 S 2/2003 Lin
 6,515,581 B1 2/2003 Ho
 D474,737 S 5/2003 Yoshida
 D481,057 S 10/2003 Brady
 D483,361 S 12/2003 Yao
 D484,131 S 12/2003 Olson
 D484,161 S 12/2003 Mendoza
 D485,234 S 1/2004 Katayama
 D487,104 S 2/2004 Obata
 D487,742 S 3/2004 Huang et al.
 6,721,501 B2 4/2004 Komatsu
 D490,028 S 5/2004 Orsini
 D494,970 S 8/2004 Chen
 D496,312 S 9/2004 Syblrud et al.
 6,824,318 B2 11/2004 Toste et al.
 D503,183 S 3/2005 Arbuckle et al.
 D504,890 S 5/2005 Sung
 D506,195 S 6/2005 Leveridge
 D506,215 S 6/2005 Lin et al.
 D508,034 S 8/2005 Liao
 D508,710 S 8/2005 Nagai
 D508,934 S 8/2005 Nagai
 D510,576 S 10/2005 Summit

D510,919 S 10/2005 Kubota et al.
 D514,558 S 2/2006 Nagel
 D515,562 S 2/2006 Rodarte
 D522,473 S 6/2006 Lin
 7,106,183 B2 9/2006 Hong
 D543,225 S * 5/2007 Shimizu D16/219
 2003/0133014 A1 * 7/2003 Mendoza 348/148
 2005/0005484 A1 1/2005 Simonazzi
 2005/0093684 A1 5/2005 Cunnien
 2005/0198876 A1 9/2005 Chang et al.
 2006/0061655 A1 3/2006 Wang
 2006/0072011 A1 4/2006 Okada
 2006/0171704 A1 8/2006 Bingle
 2007/0182817 A1 * 8/2007 Briggance 348/118
 2007/0236364 A1 * 10/2007 Hubbard et al. 340/435
 2007/0236569 A1 * 10/2007 Lin 340/435

OTHER PUBLICATIONS

Instruction (CMOS) Disclosure Installation Manual (author and publication information unknown).
 Thomas I. Rozza, "Answer to Complaint and Counterclaims," *Intellectual Solutions, Inc. v. Shaghal, Ltd.*, Jan. 16, 2008, United States District Court for the Central District of California Western Division Case No. CV07-07903 SJO (RCx).
 John K. Park, Chong H. Roh, First Amended Complaint for Patent Infringement, *Vision Tech America, Inc. v. Savv Corp.*, Jan. 15, 2008, United States District Court Central District of California, Case No. 07-05120-ABC-JC.
 Hara K. Jacobs, "Answer, Affirmative Defenses and Counterclaims of Defendant Winplus North America, Inc., to Plaintiffs' Complaint," *Intellectual Solutions, Inc. v. Winplus North America, Inc.*, Nov. 30 2007, United States District Court for the District of New Jersey, Case No. 1:07-CV-05523-JEI-JS.
 Hara K. Jacobs, "First Amended Answer, Affirmative Defenses and Counterclaims of Defendant Winplus North America, Inc., to Plaintiffs' Complaint," *Intellectual Solutions, Inc. v. Winplus North America, Inc.*, Jan. 18, 2007, United States District Court for the District of New Jersey, Case No. 1:07-05523-JEI-JS.

* cited by examiner

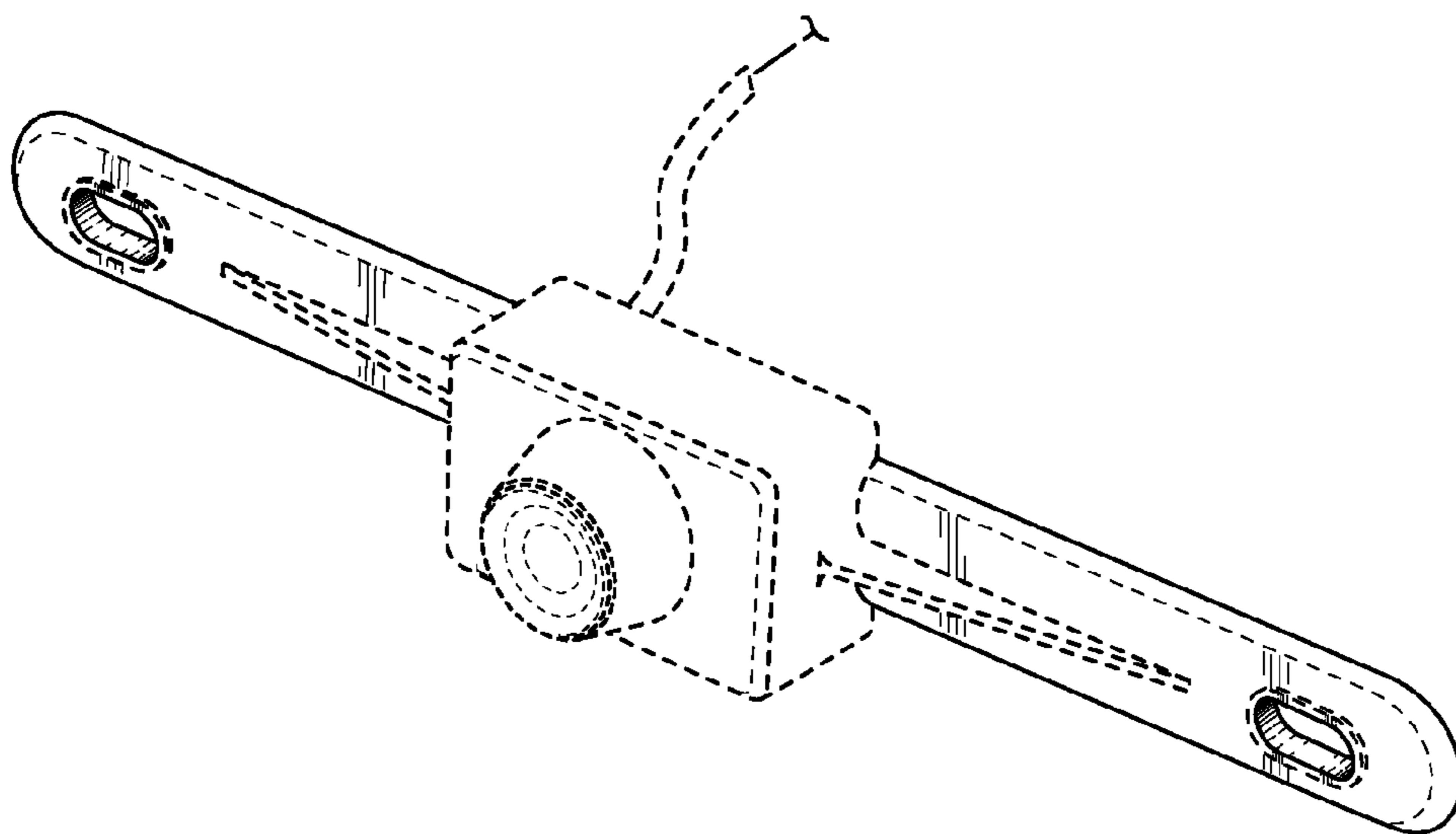


FIG. 1

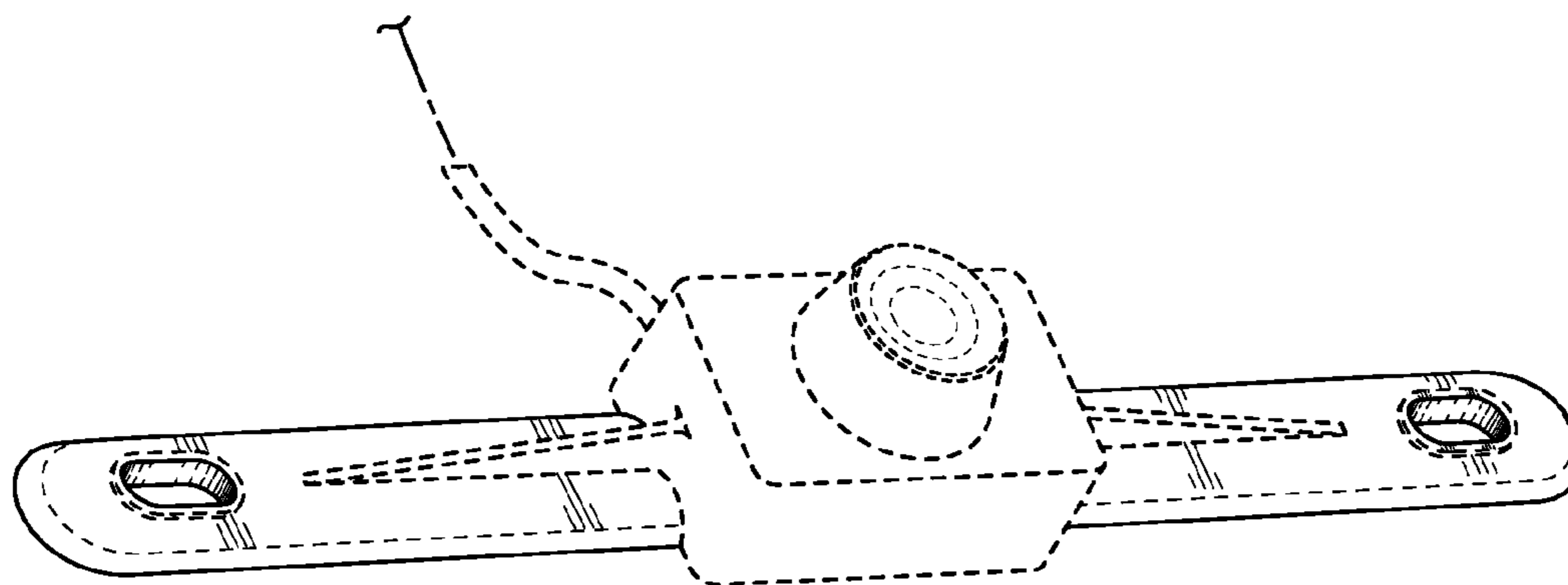


FIG. 2

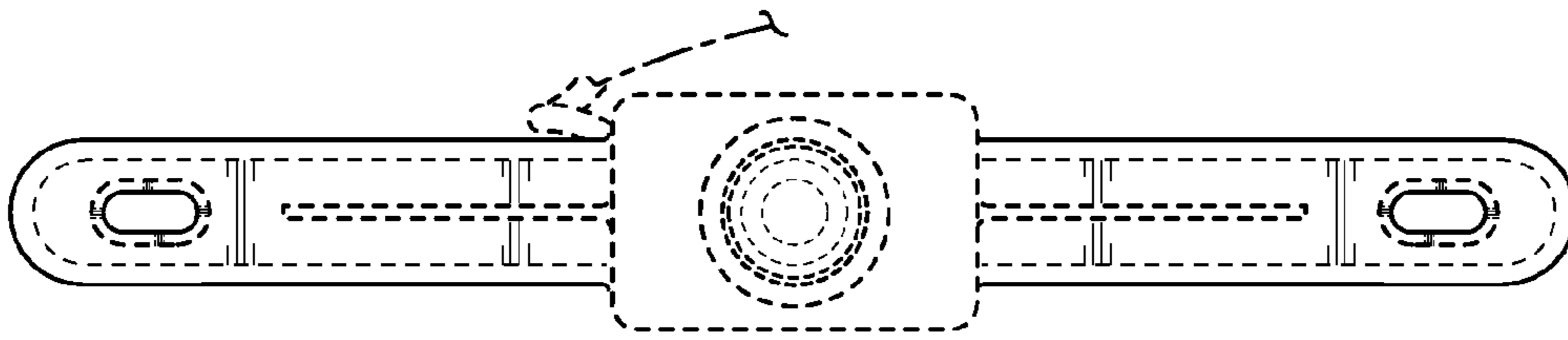


FIG. 3

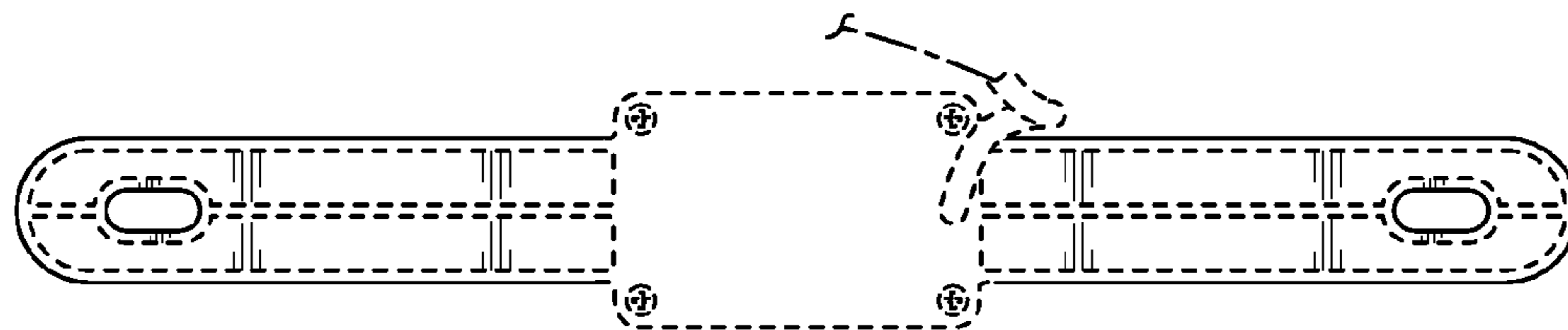


FIG. 4

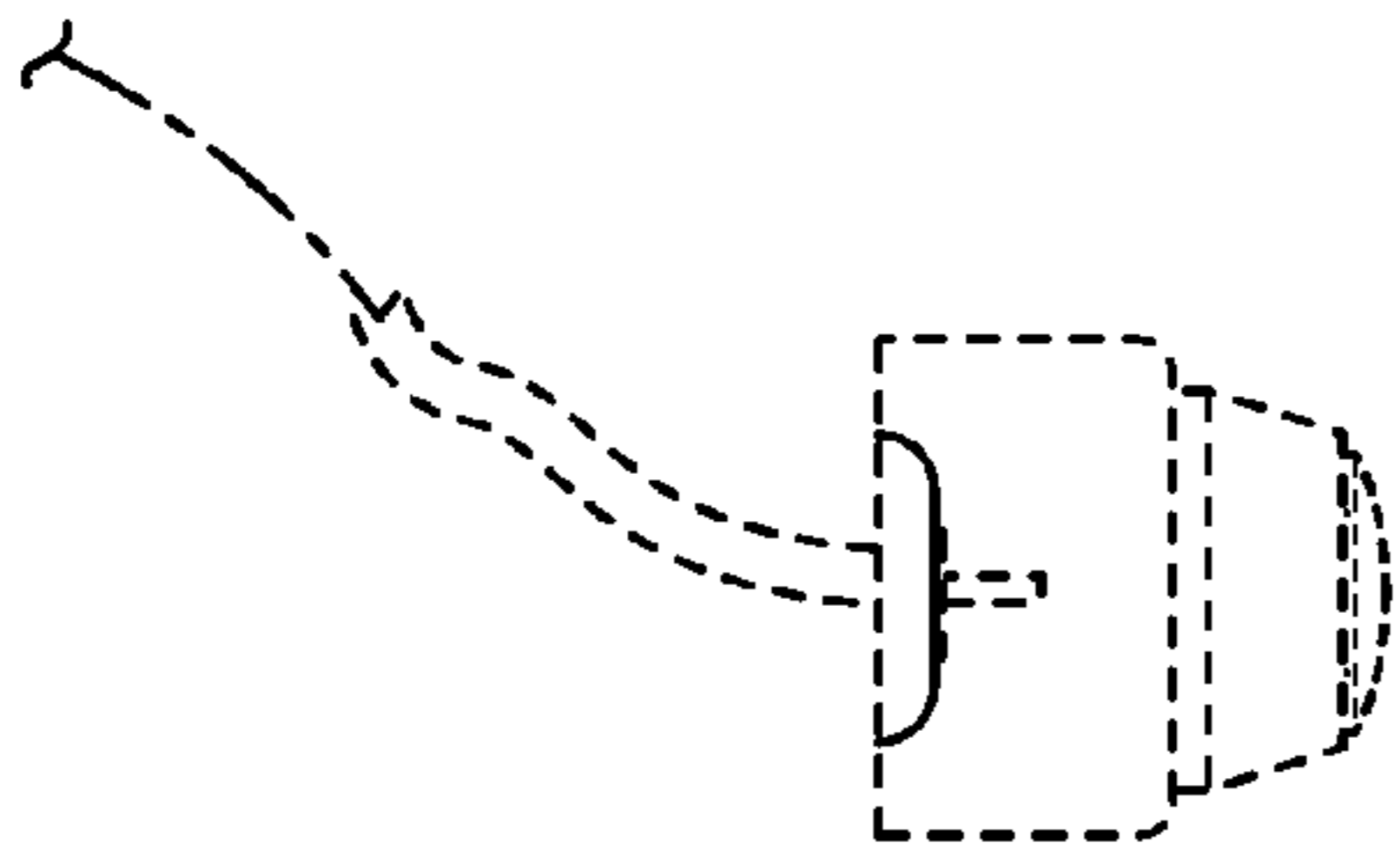


FIG. 5

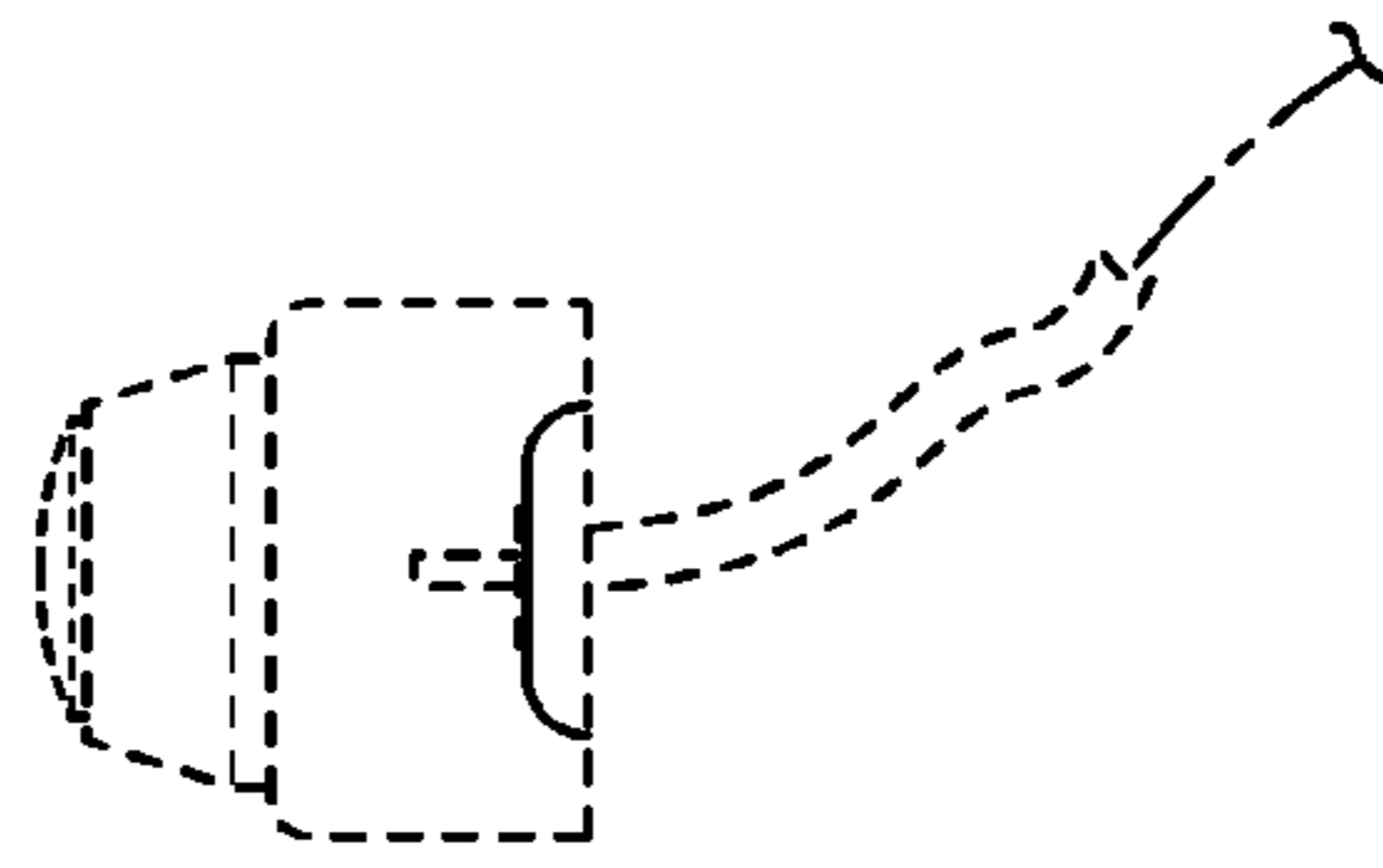


FIG. 6

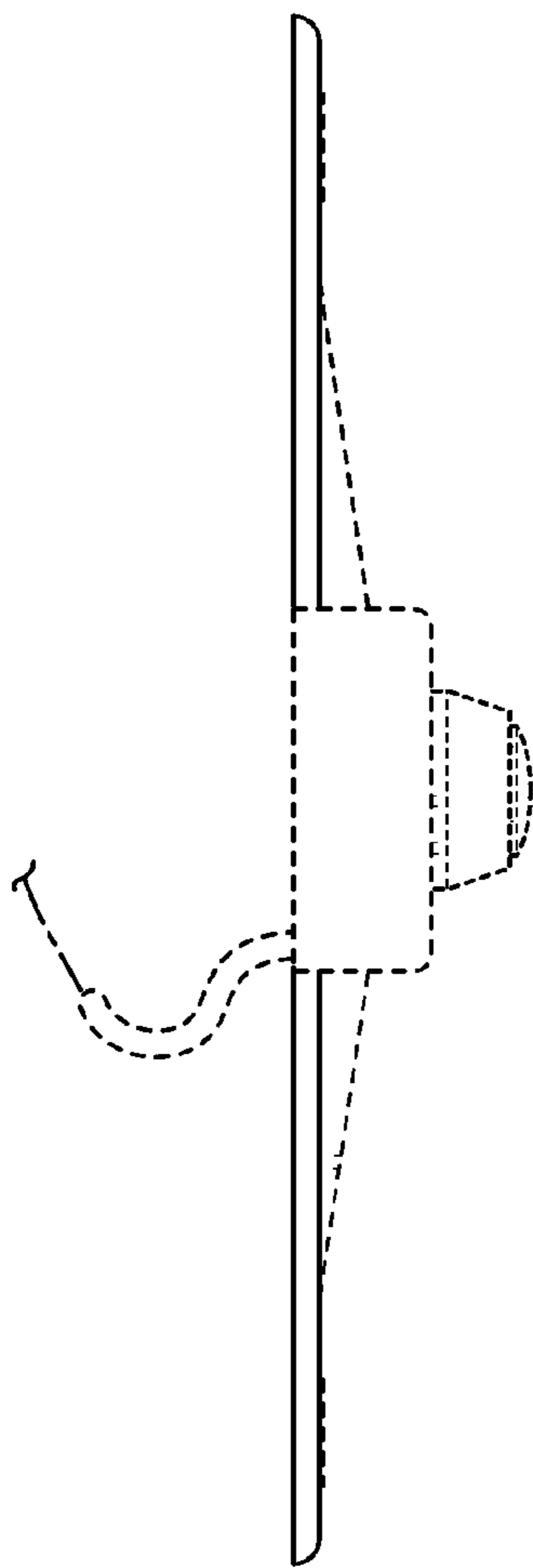


FIG. 7

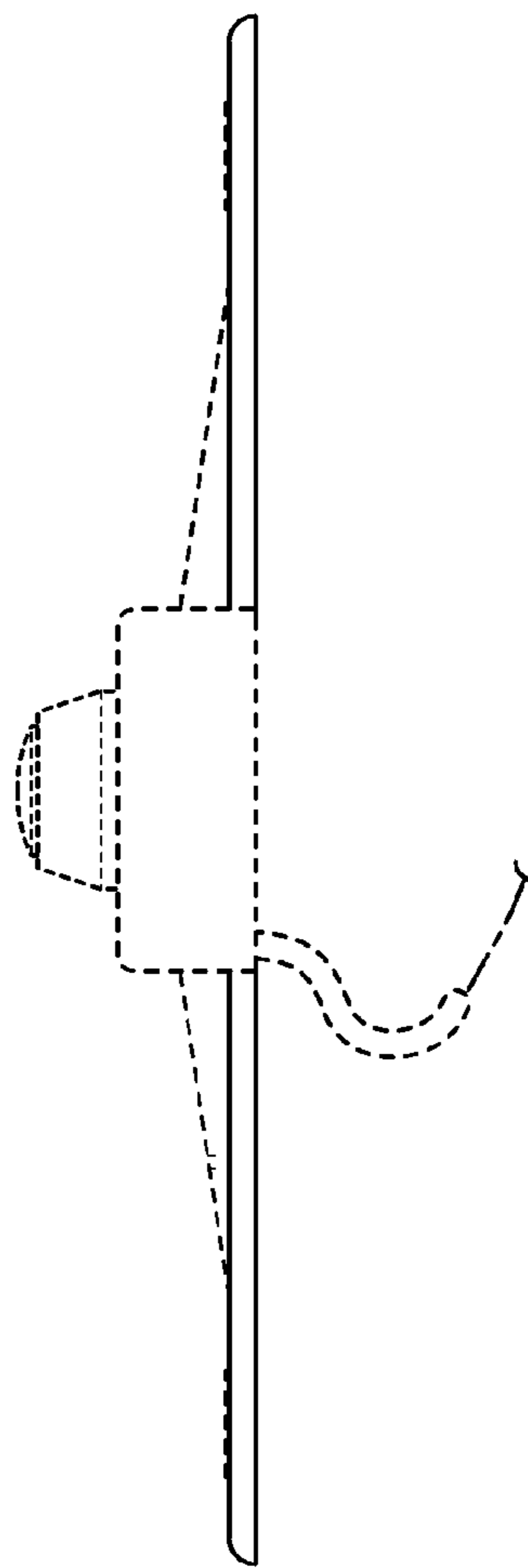


FIG. 8