



US00D577049S

(12) **United States Design Patent**
Lau et al.

(10) **Patent No.:** **US D577,049 S**
(45) **Date of Patent:** **** Sep. 16, 2008**

(54) **CAMERA**

(75) Inventors: **Wee Min Alfred Lau**, Singapore (SG);
Mei San Gigi Cho, Singapore (SG);
Kian Choon Janie Lim, Singapore (SG)

(73) Assignee: **Creative Technology Ltd**, Singapore (SG)

(**) Term: **14 Years**

(21) Appl. No.: **29/270,166**

(22) Filed: **Dec. 15, 2006**

(51) **LOC (8) Cl.** **16-01**

(52) **U.S. Cl.** **D16/203**

(58) **Field of Classification Search** D16/200–206,
D16/208, 218, 242; 348/373–376, 143; 358/906,
358/909.1; 396/349, 448, 535–541, 12–13,
396/427–428

See application file for complete search history.

(56) **References Cited**

U.S. PATENT DOCUMENTS

D446,534 S * 8/2001 Zimmer D16/203
D486,843 S * 2/2004 Takahashi D16/202
D497,925 S * 11/2004 Zhang et al. D16/202
6,880,987 B2 * 4/2005 Diana et al. 396/427

D506,215 S * 6/2005 Lin et al. D16/218
D523,457 S * 6/2006 Tan D16/202
2006/0269278 A1 * 11/2006 Kenoyer et al. 396/428

* cited by examiner

Primary Examiner—Ian Simmons

Assistant Examiner—Wan Laymon

(74) *Attorney, Agent, or Firm*—Kennedy Koblin

(57) **CLAIM**

The ornamental design for a camera, substantially as shown and described.

DESCRIPTION

FIG. 1 is a perspective view of a camera in accordance with the present design;

FIG. 2 is a front view of the camera shown in FIG. 1;

FIG. 3 is a rear view of the camera shown in FIG. 1;

FIG. 4 is a top view of the camera shown in FIG. 1;

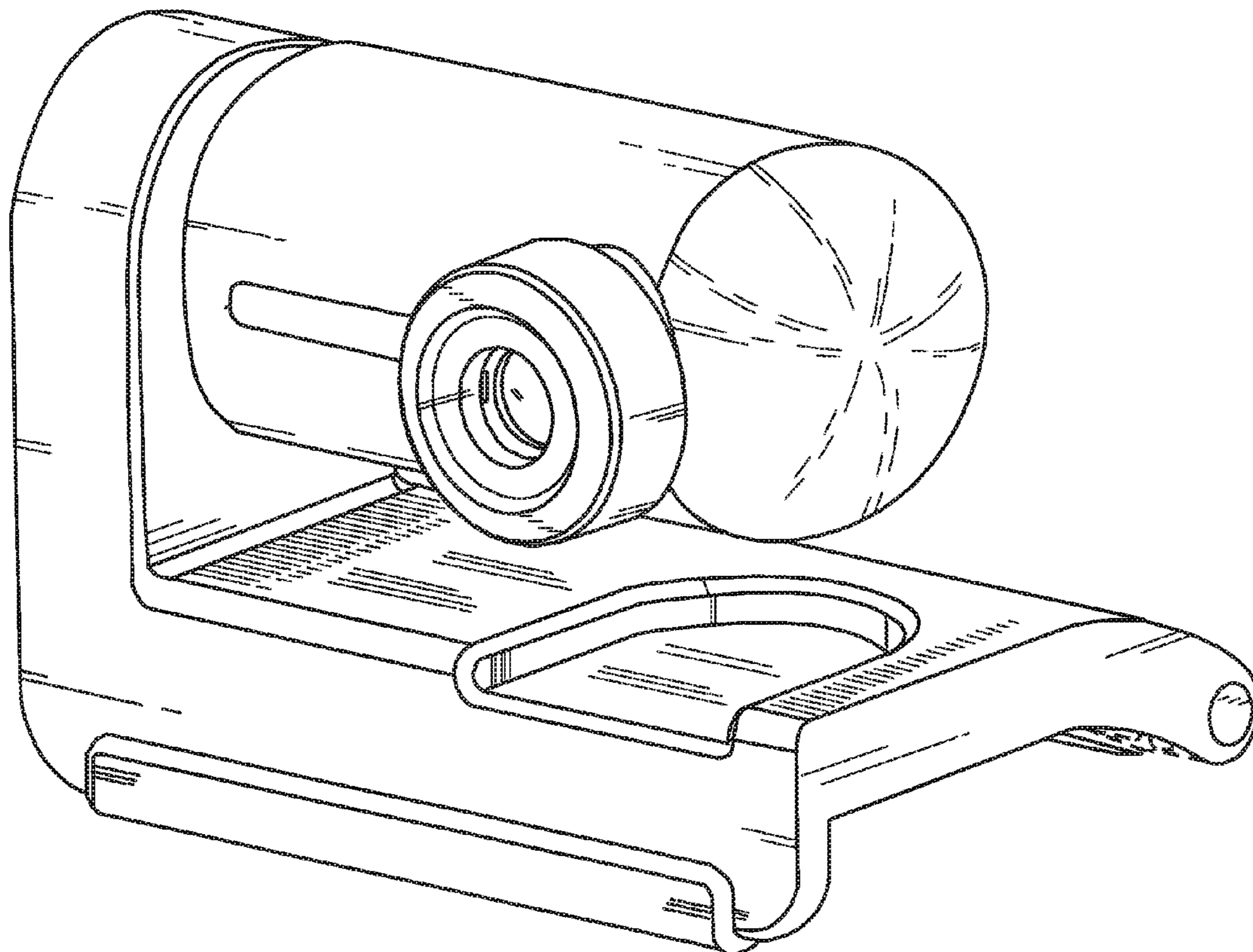
FIG. 5 is a bottom view of the camera shown in FIG. 1;

FIG. 6 is a left side view of the camera shown in FIG. 1; and,

FIG. 7 is a right side view of the camera shown in FIG. 1.

Features indicated in phantom (broken line) are for illustrative purposes only and form no part of the claimed design.

1 Claim, 4 Drawing Sheets



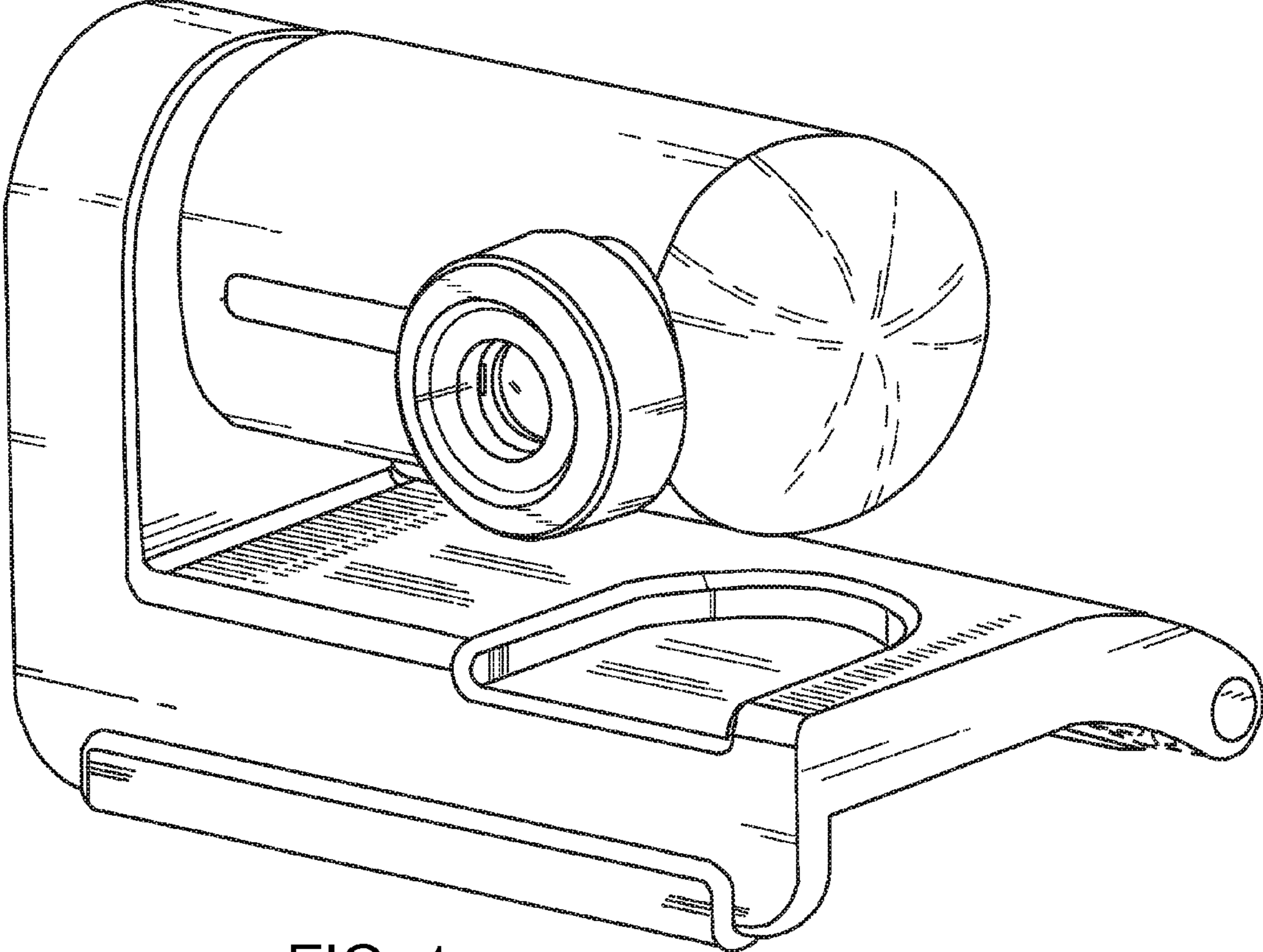


FIG. 1

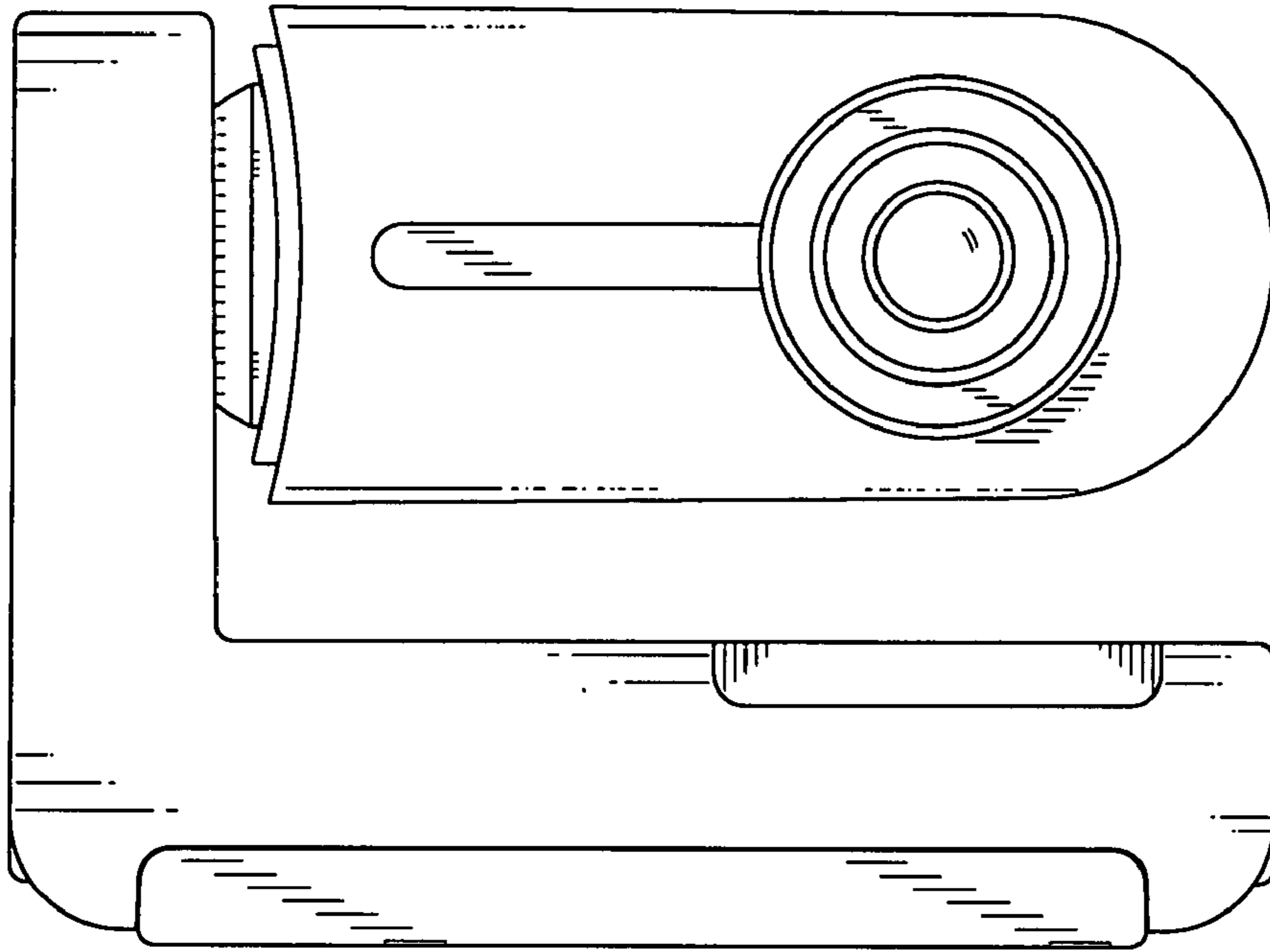


FIG. 2

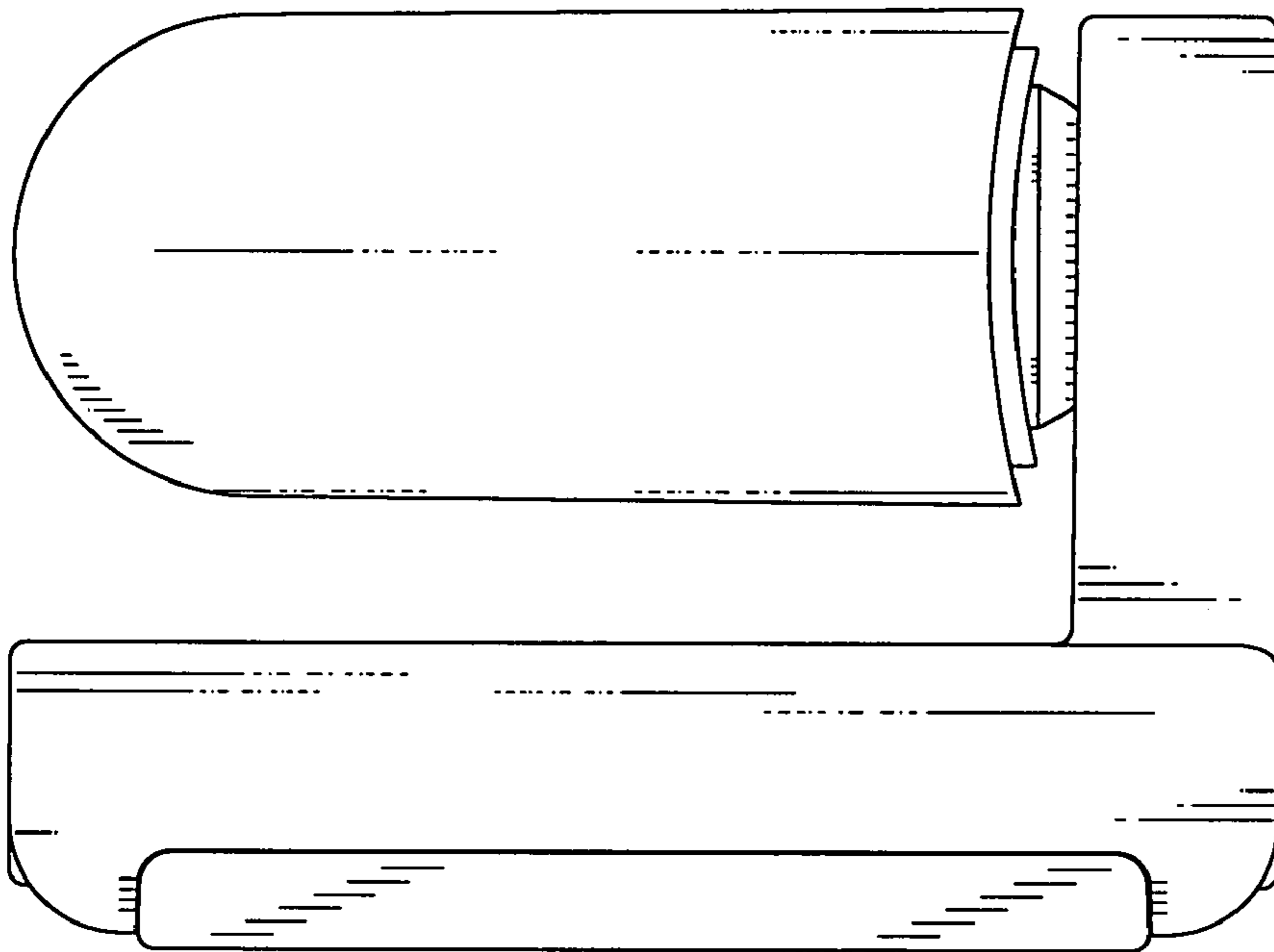


FIG. 3

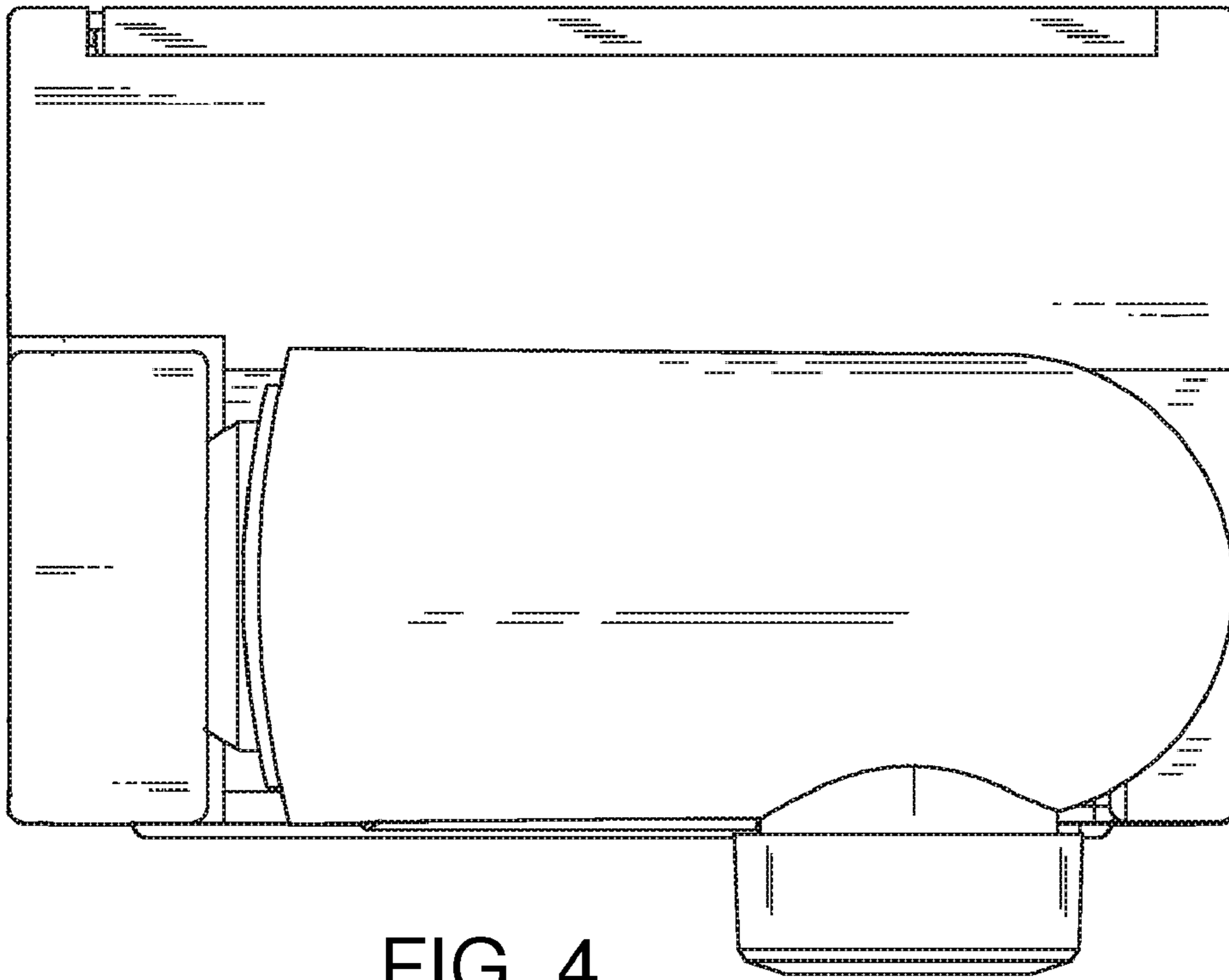


FIG. 4

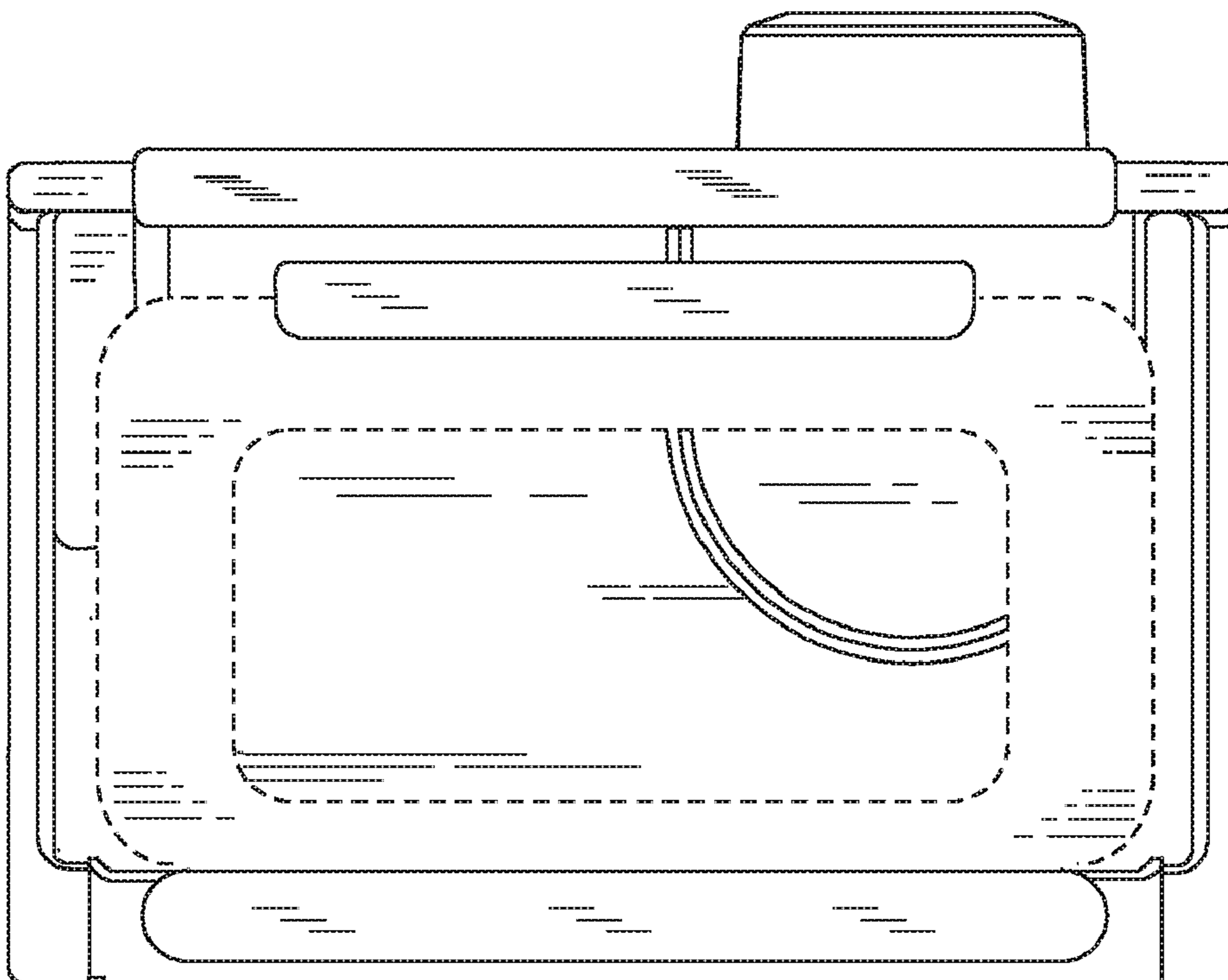


FIG. 5

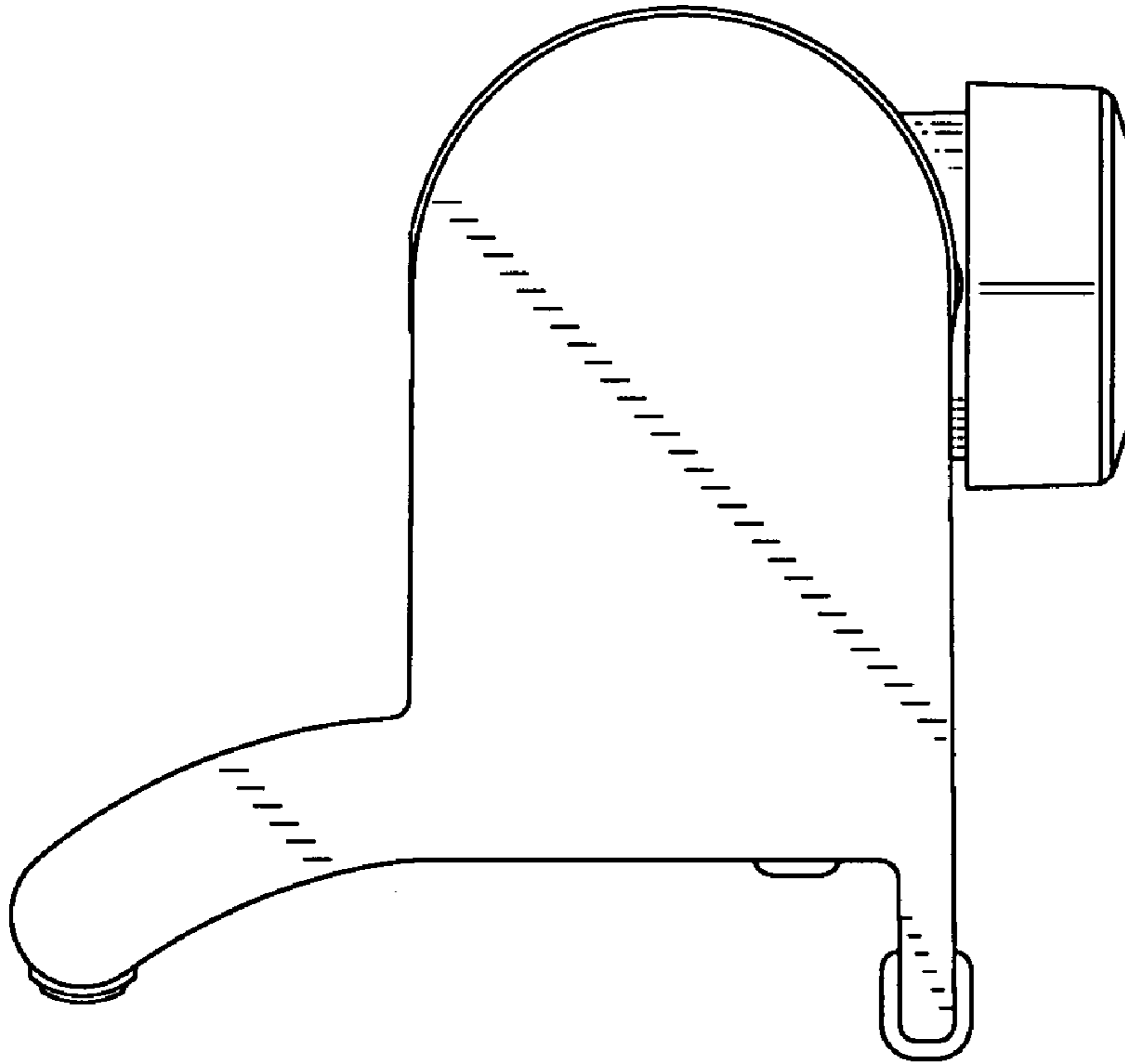


FIG. 6

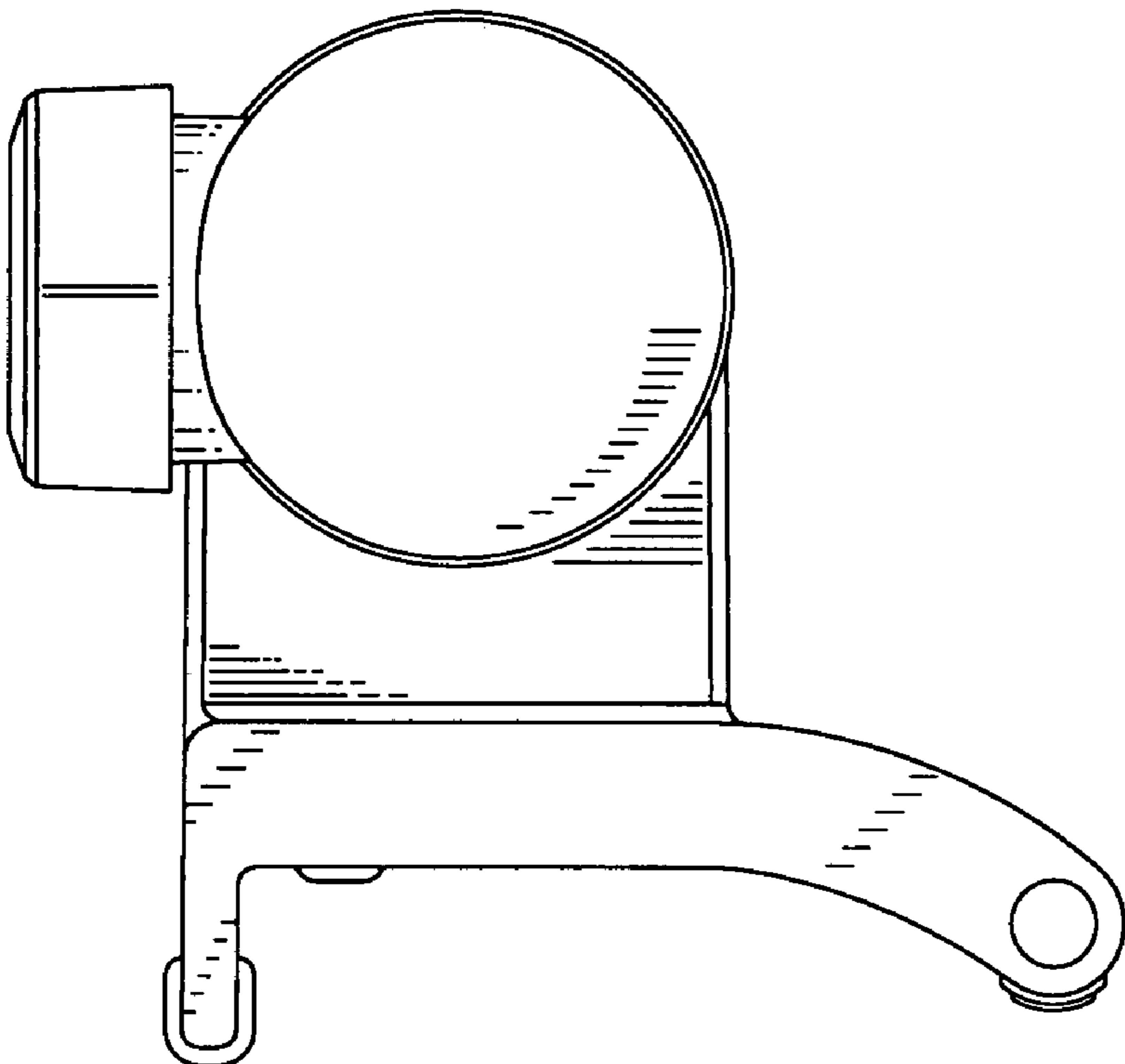


FIG. 7