

US00D577047S

(12) **United States Design Patent**  
**Apothéloz**

(10) **Patent No.:** **US D577,047 S**

(45) **Date of Patent:** **\*\* Sep. 16, 2008**

(54) **MICROSCOPE**

(75) Inventor: **Christophe Apothéloz**, Zurich (CH)

(73) Assignee: **Leica Microsystems (Schweiz) AG**,  
Heerbrugg (CH)

(\*\*) Term: **14 Years**

(21) Appl. No.: **29/287,376**

(22) Filed: **Jul. 31, 2007**

(30) **Foreign Application Priority Data**

Feb. 1, 2007 (EM) ..... 000662366

(51) **LOC (8) Cl.** ..... **16-06**

(52) **U.S. Cl.** ..... **D16/131**

(58) **Field of Classification Search** ..... D16/130,  
D16/131; D21/483; 353/39; 359/361, 368,  
359/376, 377, 378, 379, 380, 381, 382, 383,  
359/384, 385, 388, 390, 393, 574

See application file for complete search history.

(56) **References Cited**

**U.S. PATENT DOCUMENTS**

D439,258 S \* 3/2001 Kawahata ..... D16/131  
D440,996 S \* 4/2001 Takanashi ..... D16/131  
6,337,766 B1 \* 1/2002 Fujino ..... 359/383  
D459,744 S \* 7/2002 Apotheloz ..... D16/131  
D460,096 S \* 7/2002 Apotheloz ..... D16/131  
D460,772 S \* 7/2002 Apotheloz ..... D16/131  
D461,201 S \* 8/2002 Apotheloz ..... D16/131

D465,799 S \* 11/2002 Asaka et al. .... D16/131  
D498,247 S \* 11/2004 Suzuki et al. .... D16/131  
D525,636 S \* 7/2006 Apotheloz ..... D16/131  
D540,835 S 4/2007 Apothéloz  
D546,355 S \* 7/2007 Apotheloz ..... D16/131  
D546,356 S \* 7/2007 Apotheloz ..... D16/131

**FOREIGN PATENT DOCUMENTS**

EM 000388822-0002 10/2005  
JP 1276856 7/2006

\* cited by examiner

*Primary Examiner*—Paula A Greene

(74) *Attorney, Agent, or Firm*—Crowell & Moring LLP

(57) **CLAIM**

The ornamental design for a microscope, as shown and described.

**DESCRIPTION**

FIG. 1 is a right, rear perspective view of a microscope showing my new design, the undisclosed portions are not part of the claimed design;

FIG. 2 is a left side view thereof;

FIG. 3 is a right side view thereof;

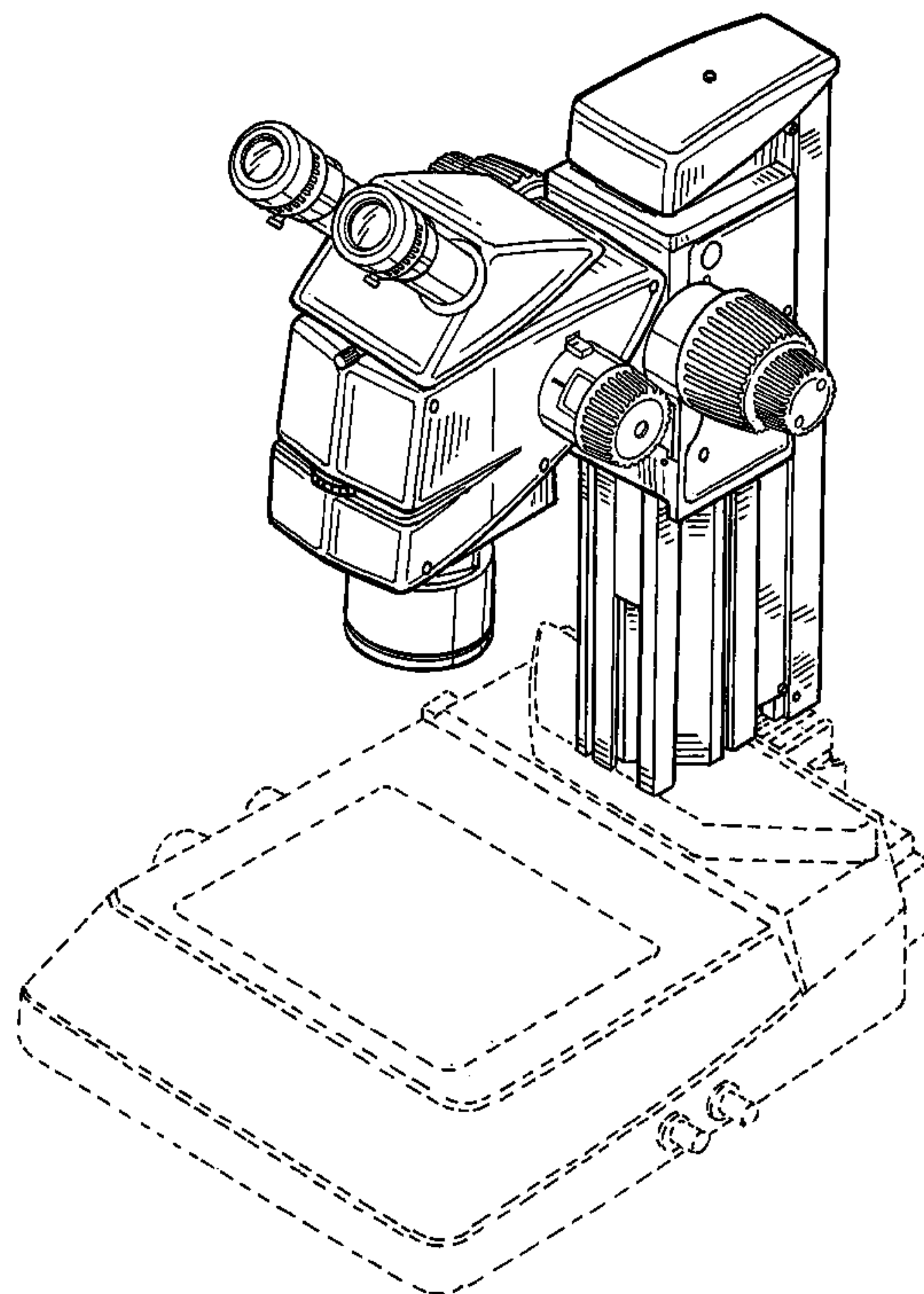
FIG. 4 is a top view thereof;

FIG. 5 is a rear view thereof; and,

FIG. 6 is a front view thereof.

The broken lines are for illustrative purposes only and form no part of the claimed design.

**1 Claim, 6 Drawing Sheets**



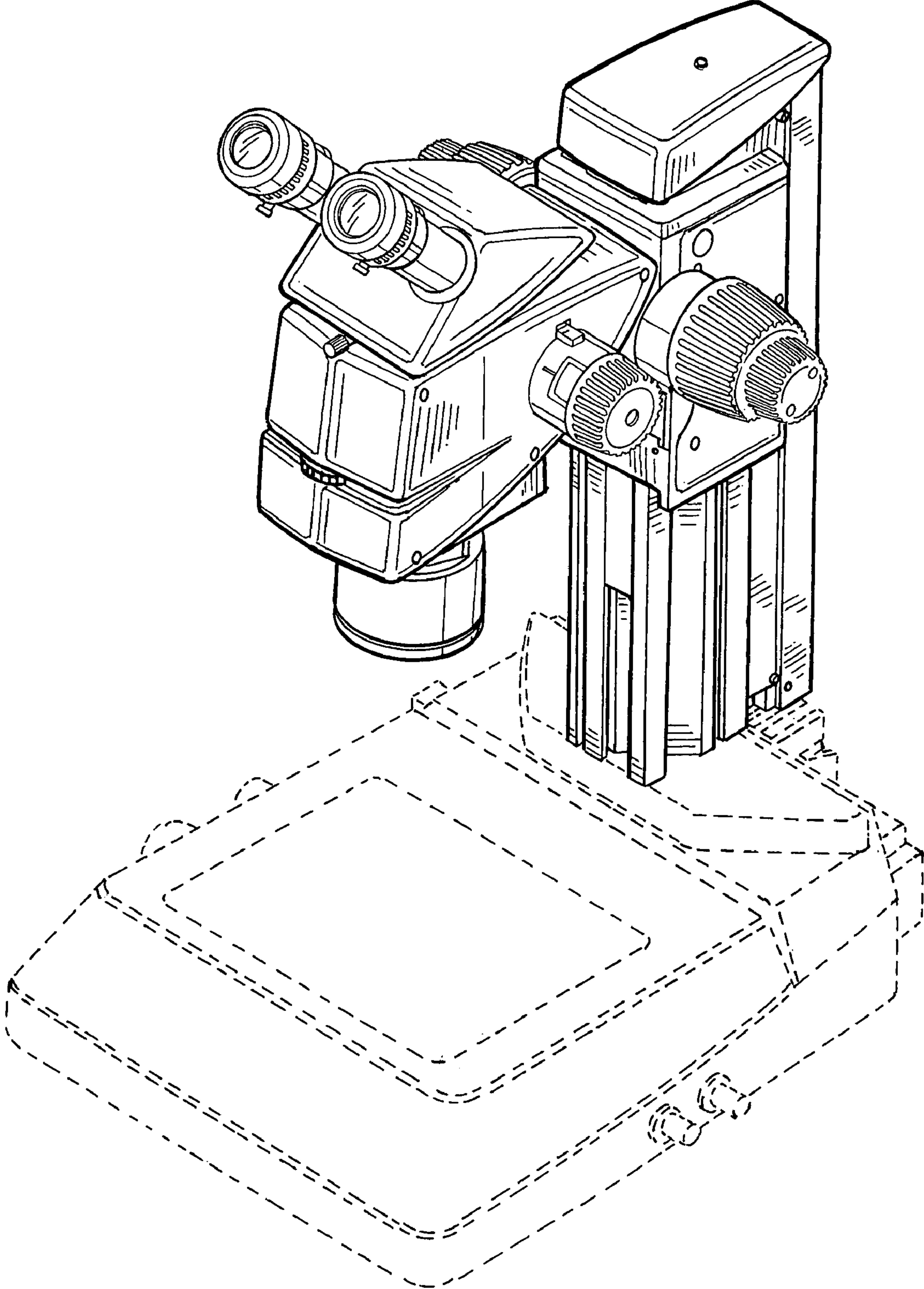


FIG. 1

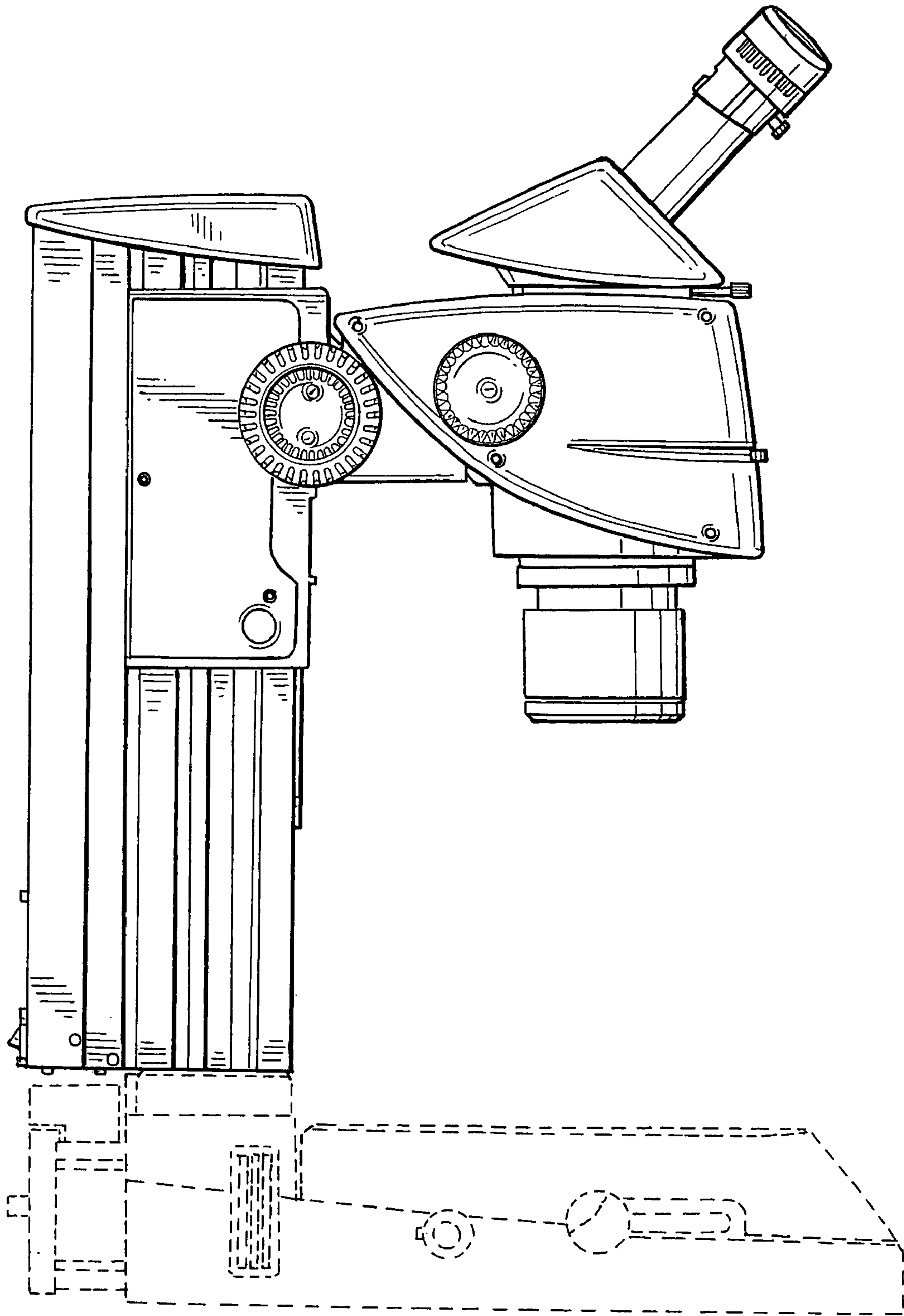


FIG. 2



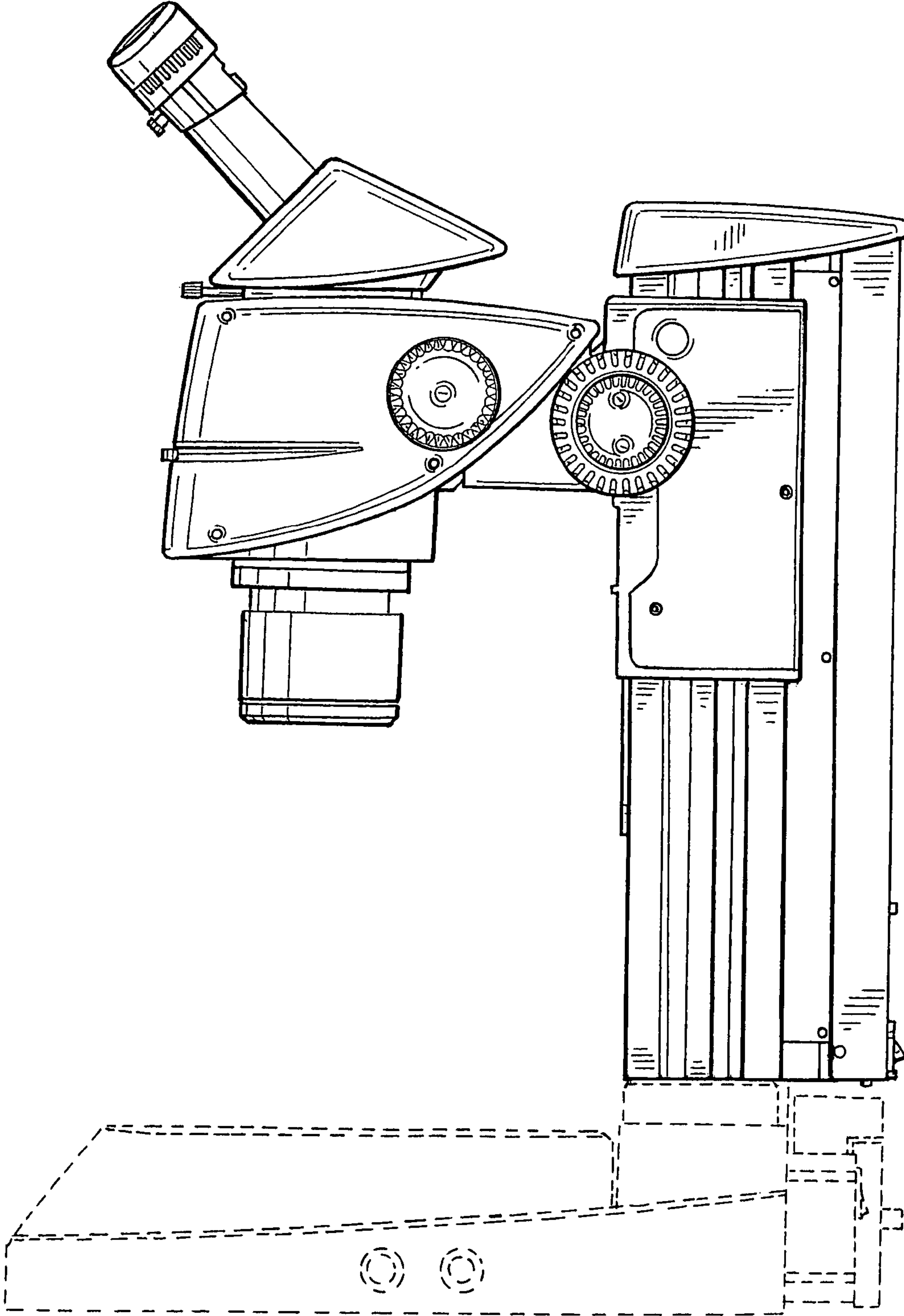


FIG. 3

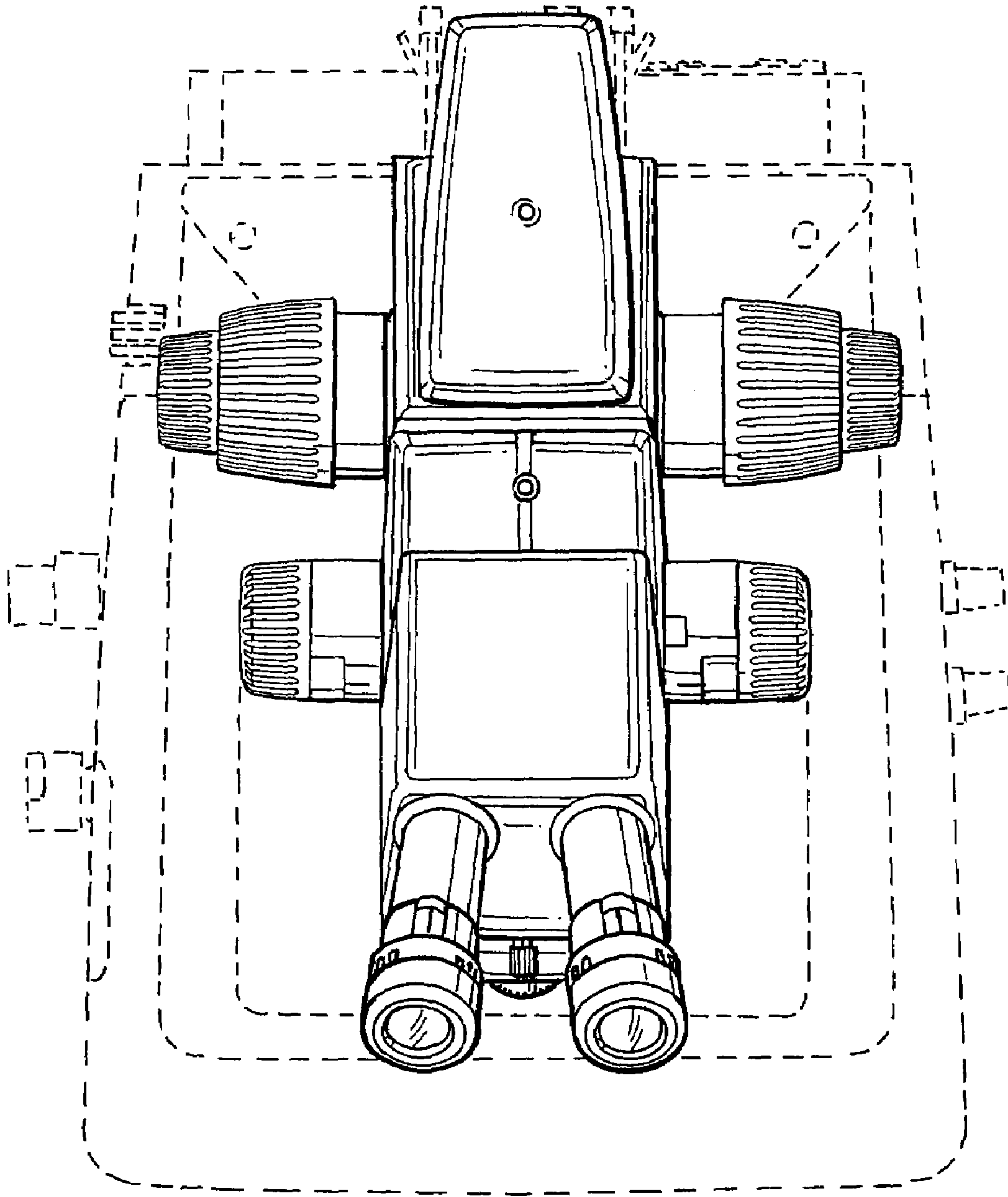


FIG. 4

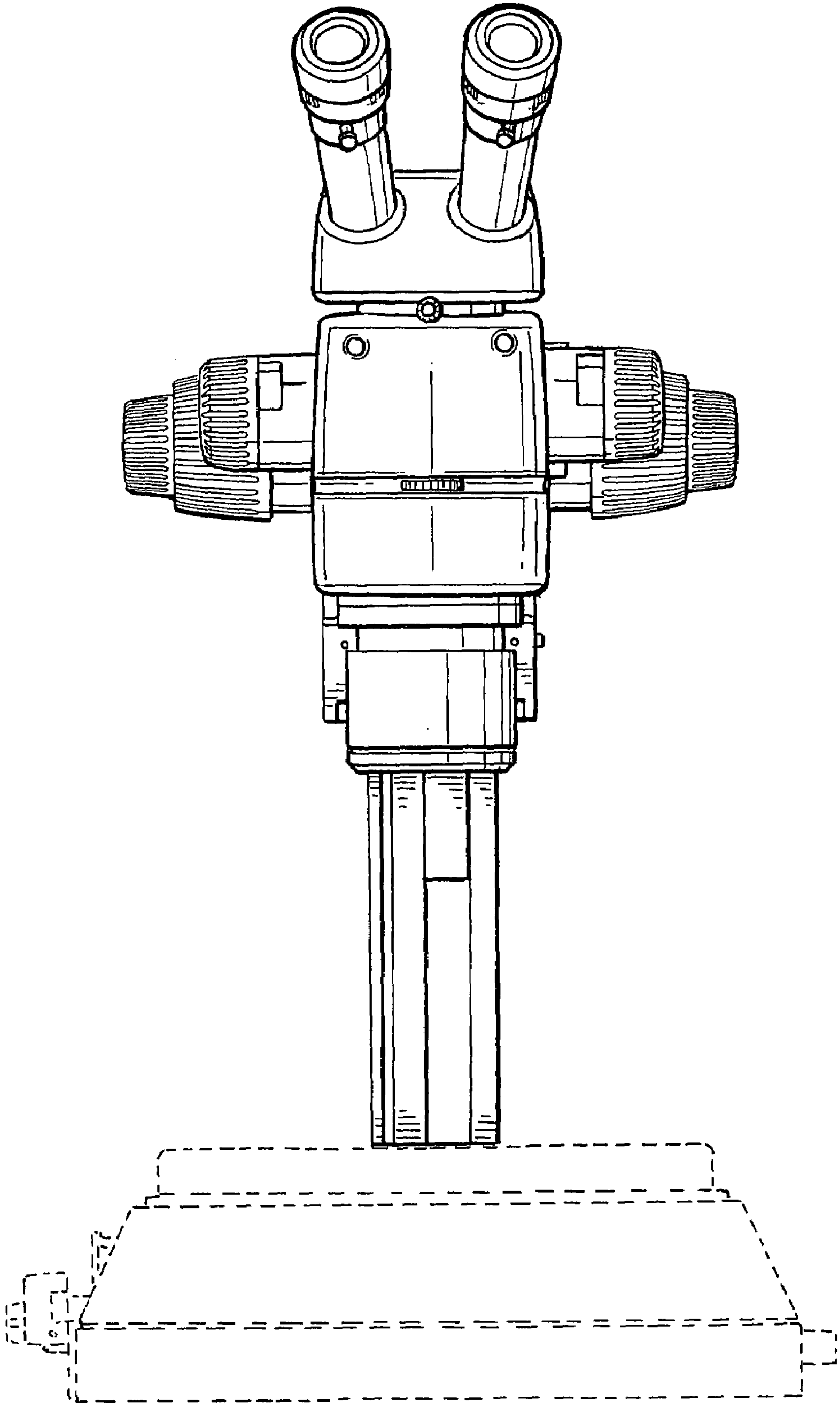


FIG. 5

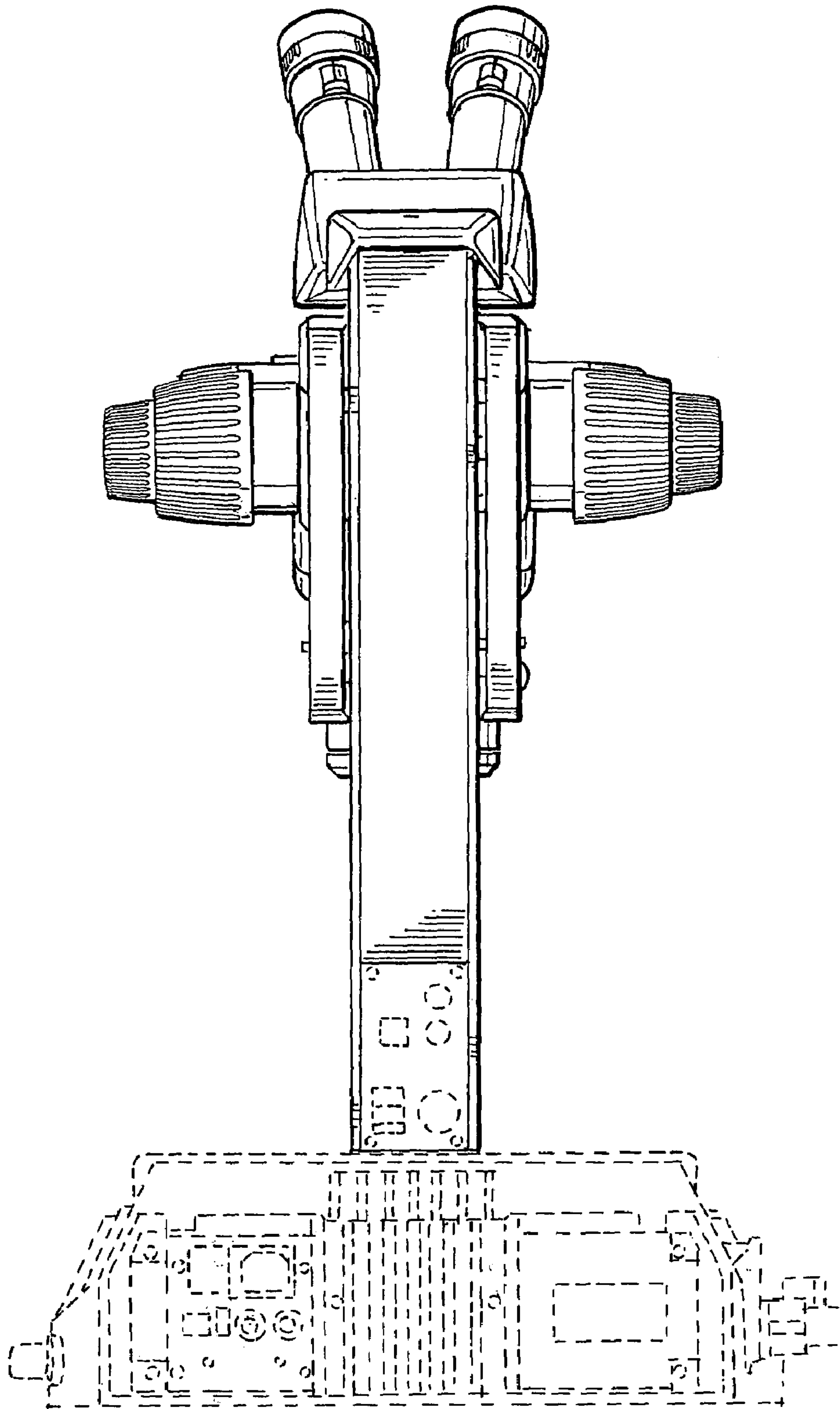


FIG. 6