



US00D577046S

(12) **United States Design Patent**  
**Ganzer et al.**

(10) **Patent No.:** **US D577,046 S**  
(45) **Date of Patent:** **\*\* Sep. 16, 2008**

(54) **DISPENSER BODY FOR RECEIVING A SYRINGE TYPE FLUID DISPENSER**

(75) Inventors: **Charles P. Ganzer**, Cumming, GA (US);  
**Leslie J. Varga**, Cumming, GA (US)

(73) Assignee: **Nordson Corporation**, Westlake, OH (US)

(\*\*) Term: **14 Years**

(21) Appl. No.: **29/297,529**

(22) Filed: **Nov. 13, 2007**

(51) **LOC (8) Cl.** ..... **15-09**

(52) **U.S. Cl.** ..... **D15/144.1**

(58) **Field of Classification Search** ..... D15/144,  
D15/144.1, 144.2; D19/66; 118/313, 323,  
118/697; 222/52, 54-55, 146.5, 189, 325,  
222/389, 482, 504; 239/135, 296; 427/186,  
427/208.2; 901/43

See application file for complete search history.

(56) **References Cited**

**U.S. PATENT DOCUMENTS**

D281,250 S *	11/1985	Johnson et al.	.....	D15/144
D335,809 S	5/1993	Reifenberger		
D354,296 S *	1/1995	Walsh	.....	D15/144.2
D365,830 S *	1/1996	Hubbard et al.	.....	D15/144.2
D401,600 S *	11/1998	Byerly et al.	.....	D15/144.2
D429,263 S *	8/2000	Auber et al.	.....	D15/144.2
6,123,302 A *	9/2000	Taylor	.....	222/105
D451,525 S *	12/2001	Ganzer	.....	D15/144
D473,883 S *	4/2003	Huey et al.	.....	D15/144.2
6,572,033 B1 *	6/2003	Pullagura et al.	.....	239/399
D521,035 S *	5/2006	de Leeuw et al.	.....	D15/144
D550,261 S *	9/2007	Bondeson et al.	.....	D15/144
7,278,550 B2 *	10/2007	Bezema et al.	.....	222/146.5
7,296,706 B2 *	11/2007	Raterman et al.	.....	222/146.5

**OTHER PUBLICATIONS**

Meltex Corporation, Assembly Hand Gun MP 300/350, Brochure, undated, 2 pgs.

Nordson Corporation, H200 Zero Cavity Guns, Brochure, Oct. 1986, 1 pg.

Nordson Corporation, e.dot(TM) Electric Guns, Brochure, May 2003, 2 pgs.

Asymtek, DV-7000 Series Pump, Heli-Flow Pump, Servo-Controlled Auger Pump, Product Information, Sep. 2006, 2 pgs.

Asymtek, DV-3000 Series Linear Pump, DP-3000 Series: Linear Pump Technology for High-Volume Production, Dec. 2000, 2 pgs.

Asymtek, DV-01 Syringe Valve, website, 2008, 1 pg.

Speedmelt Module, 2004, 1 pg.

\* cited by examiner

*Primary Examiner*—Sandra Snapp

*Assistant Examiner*—Patricia Palasik

(74) *Attorney, Agent, or Firm*—Wood, Herron & Evans, L.L.P.

(57) **CLAIM**

The ornamental design for a dispenser body for receiving a syringe type fluid dispenser, as shown and described.

**DESCRIPTION**

FIG. 1 is a front perspective view of the dispenser body for receiving a syringe type fluid dispenser.

FIG. 2 is a front elevational view of the dispenser body for receiving a syringe type fluid dispenser.

FIG. 3 is a left side view of the dispenser body for receiving a syringe type fluid dispenser.

FIG. 4 is a right side view of the dispenser body for receiving a syringe type fluid dispenser.

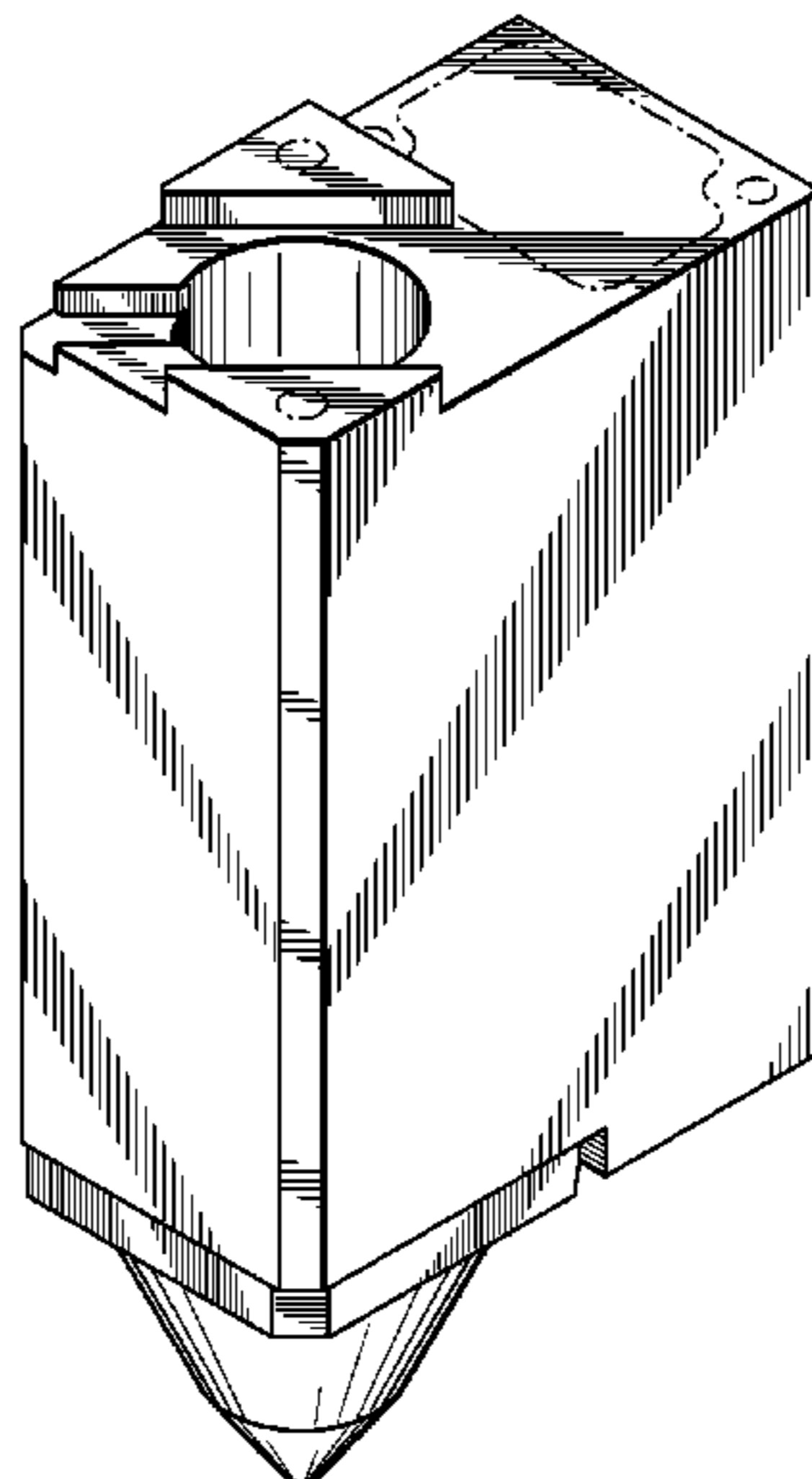
FIG. 5 is a rear view of the dispenser body for receiving a syringe type fluid dispenser.

FIG. 6 is a top view of the dispenser body for receiving a syringe type fluid dispenser; and,

FIG. 7 is a bottom view of the dispenser body for receiving a syringe type fluid dispenser.

Elements shown in broken lines are for environmental purposes and form no part of the claimed invention.

**1 Claim, 3 Drawing Sheets**



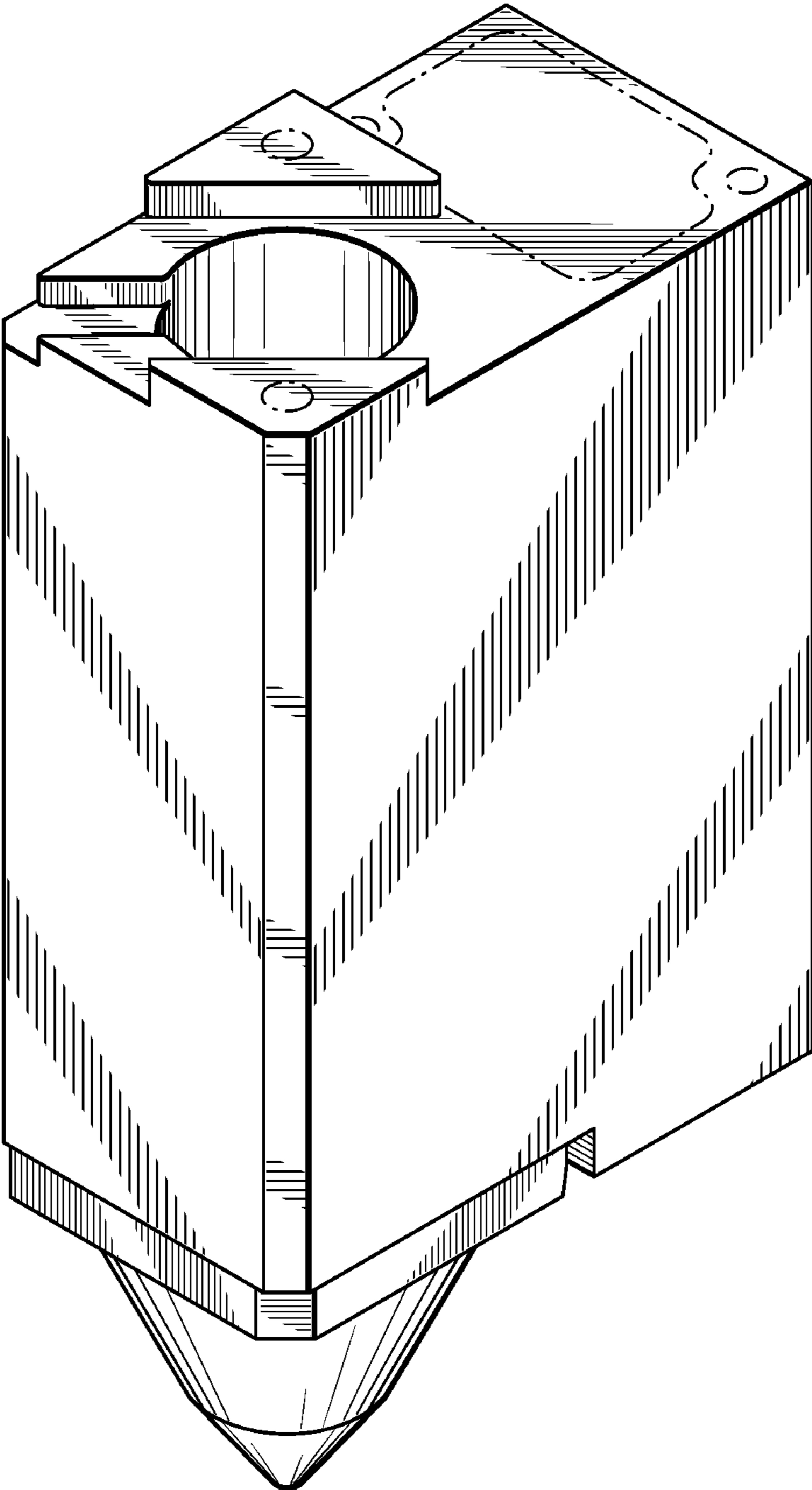


FIG. 1

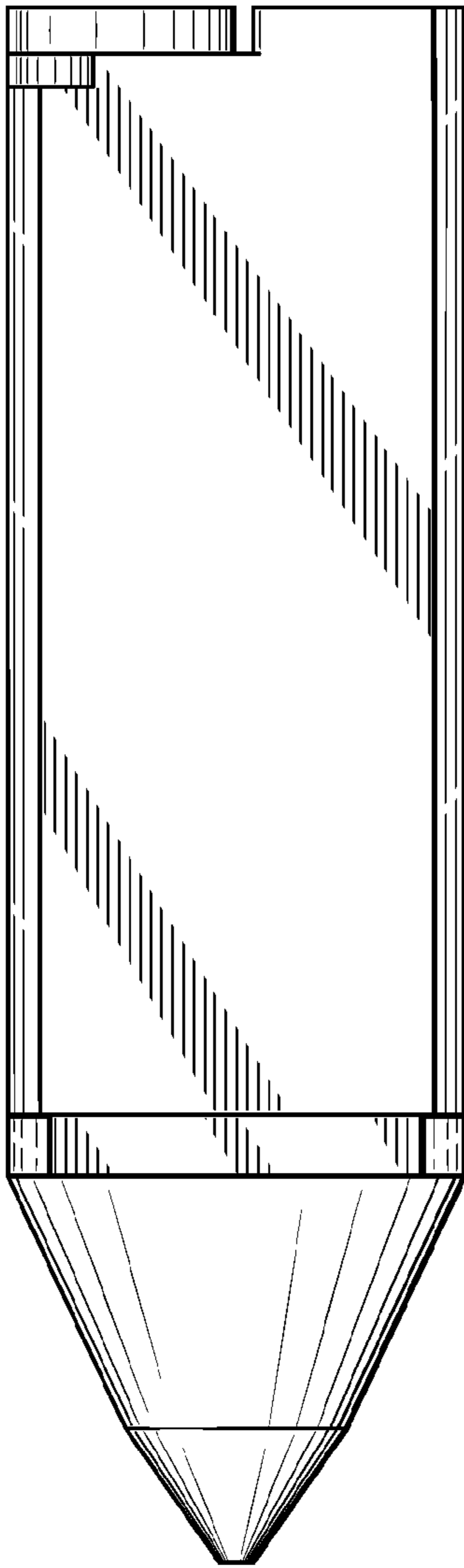


FIG. 2

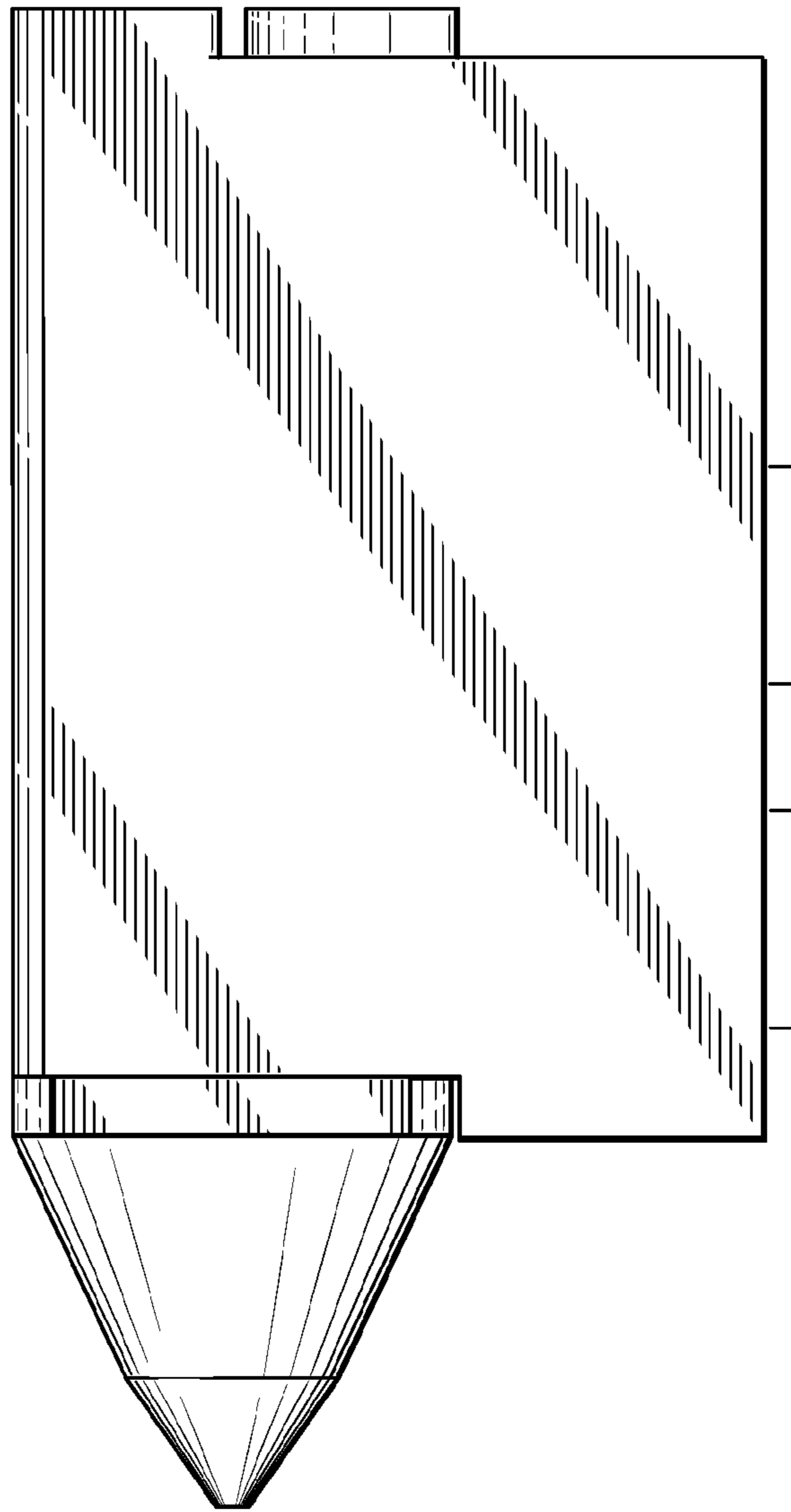


FIG. 3

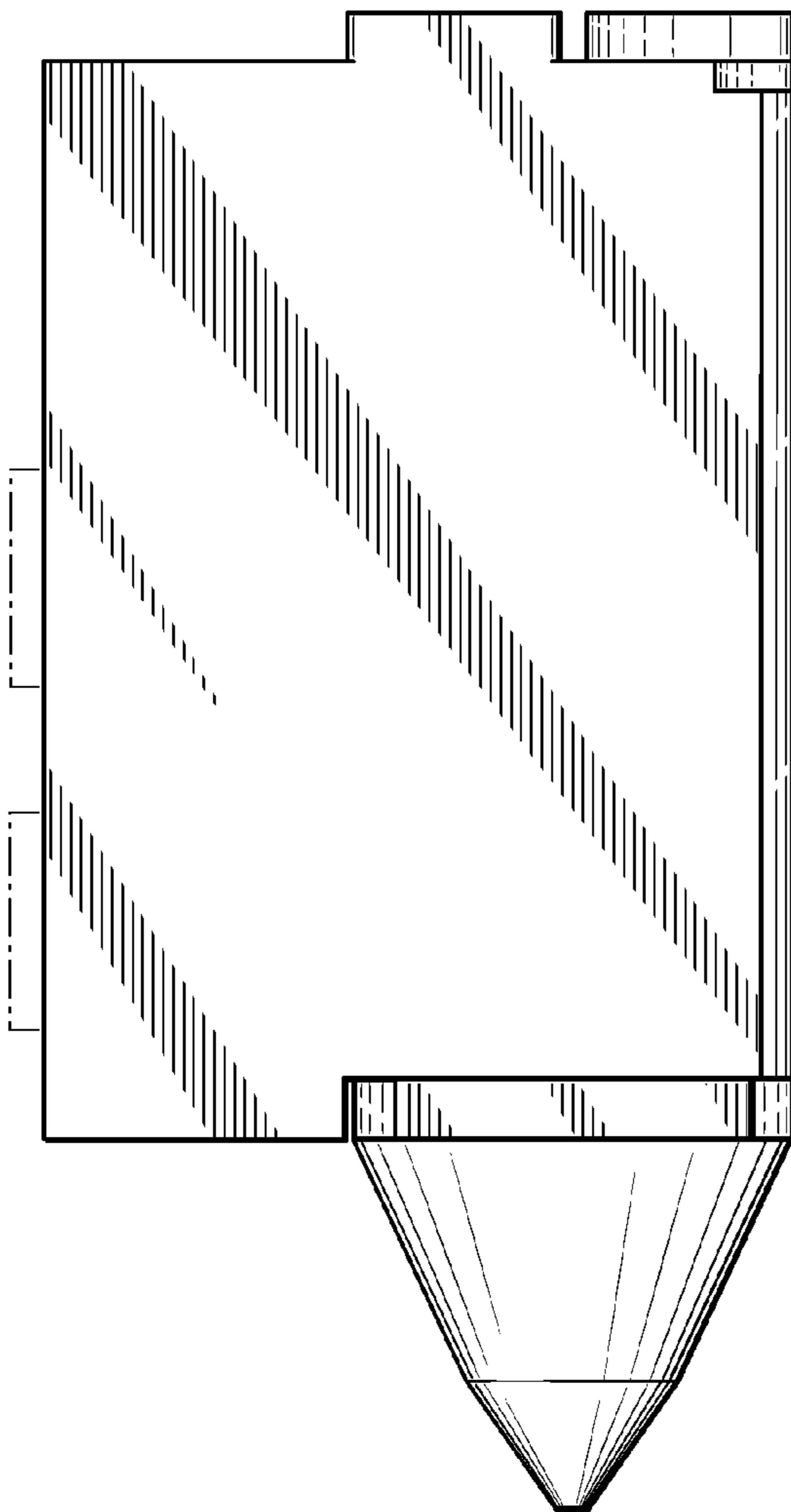


FIG. 4

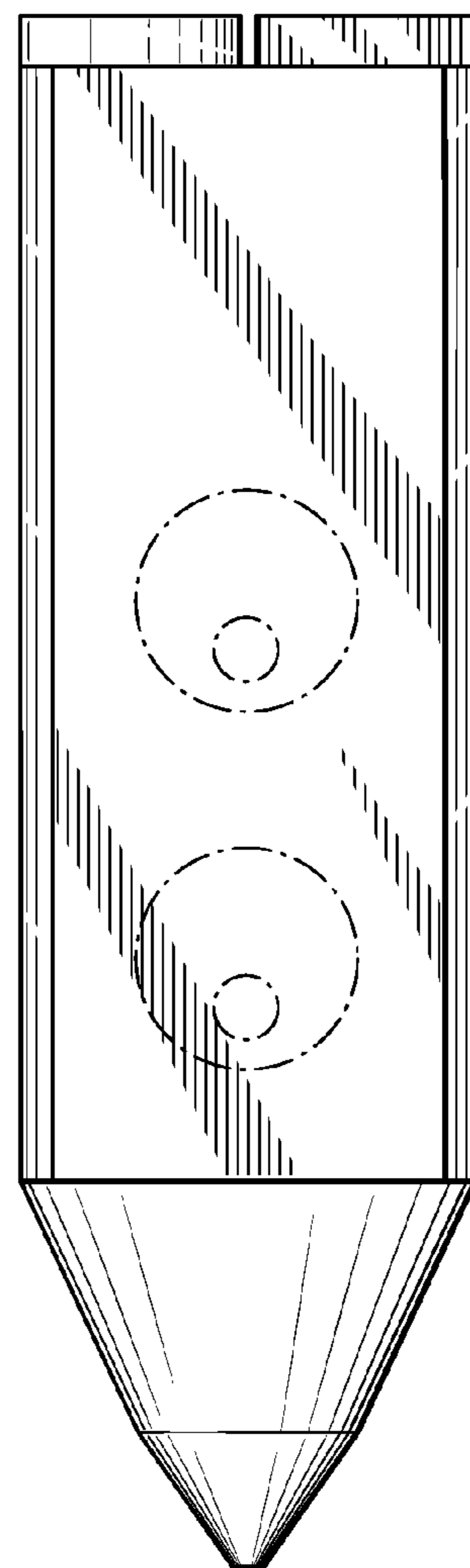


FIG. 5

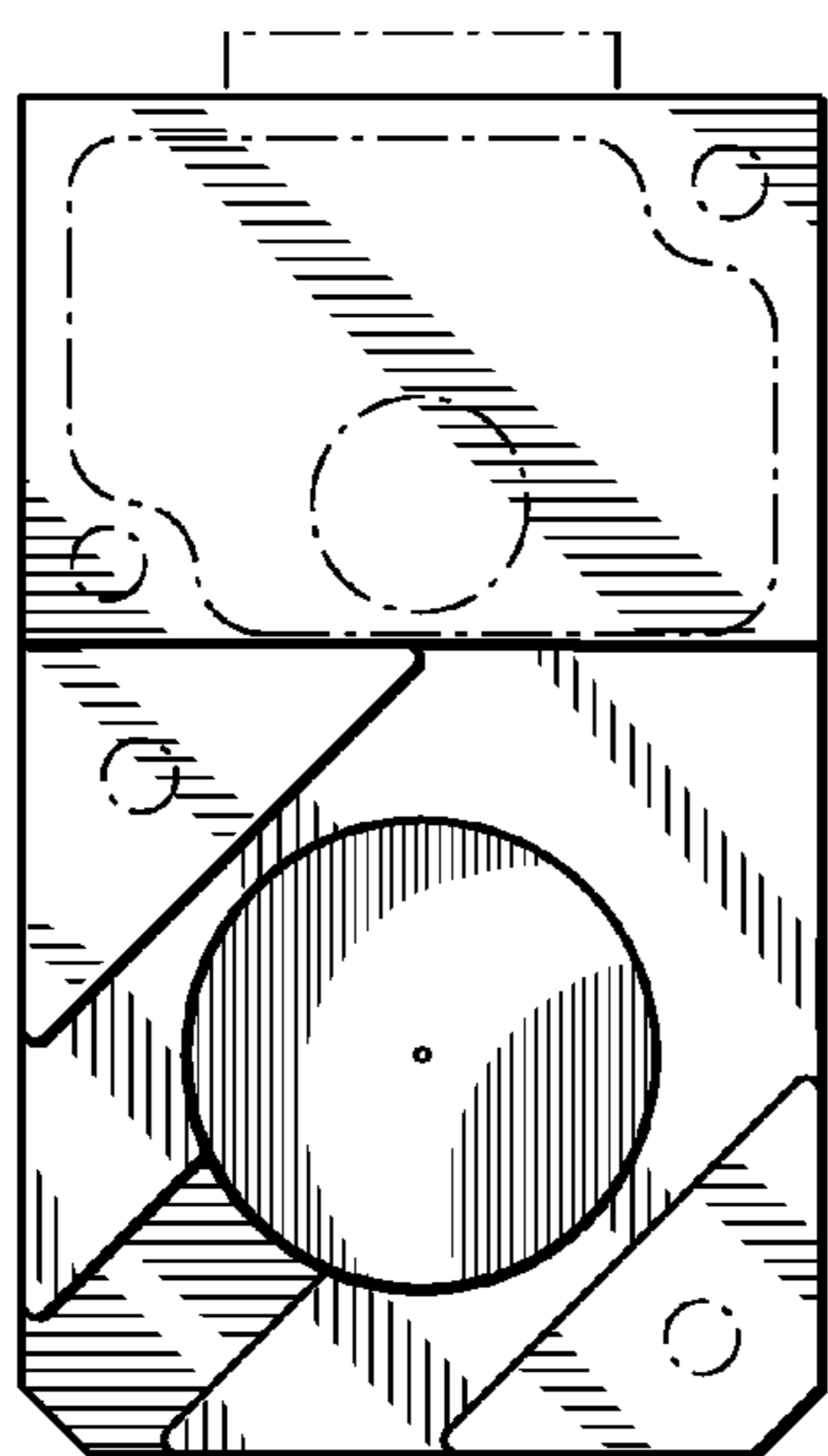


FIG. 6

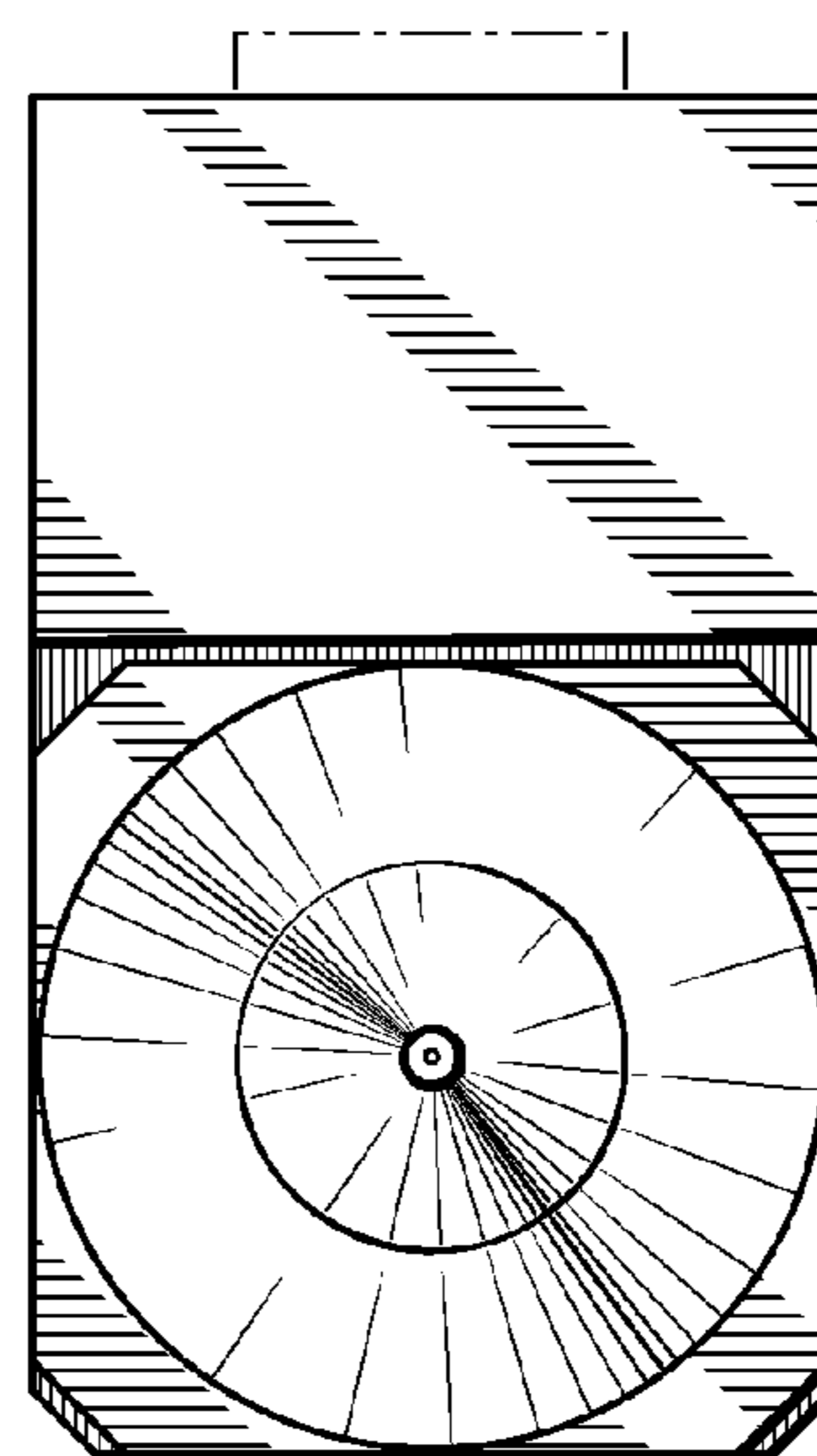


FIG. 7