

US00D577041S

(12) **United States Design Patent**
Omdoll et al.

(10) **Patent No.:** **US D577,041 S**

(45) **Date of Patent:** **** *Sep. 16, 2008**

(54) **CHILLING UTENSIL**

(75) Inventors: **Paul Omdoll**, Waukesha, WI (US); **John W. Grosz**, Waupun, WI (US); **David Stender**, Oshkosh, WI (US); **Michael Young**, Mukwanago, WI (US); **Jayson Pearl**, Shorewood, WI (US)

(73) Assignee: **The Colman Group, Inc.**, Elkhorn, WI (US)

(*) Notice: This patent is subject to a terminal disclaimer.

(**) Term: **14 Years**

(21) Appl. No.: **29/197,570**

(22) Filed: **Jan. 16, 2004**

(51) **LOC (8) Cl.** **15-07**

(52) **U.S. Cl.** **D15/89; D9/516**

(58) **Field of Classification Search** D9/448, D9/516, 529, 523, 526, 527, 528, 559, 575; D7/300.1, 398; D15/79, 80, 82, 89, 90; 215/379, 215/380, 382-395, 396, 400; 220/77.1, 216, 220/524.1, 525, 527; 206/565, 567.2, 600, 206/660, 890; D23/211, 211.1

See application file for complete search history.

(56) **References Cited**

U.S. PATENT DOCUMENTS

1,727,187 A	9/1929	Weinrich	
1,758,008 A	5/1930	Mock	
1,944,726 A	1/1934	Aiken	
2,007,361 A *	7/1935	Berger 366/249
2,129,572 A	9/1938	Finnegan	

2,181,697 A	11/1939	Kavalir	
2,805,554 A	9/1957	Schachtsiek	
4,656,840 A	4/1987	Loofbourrow et al.	
4,735,063 A	4/1988	Brown	
5,058,396 A	10/1991	Faiola	
5,701,747 A *	12/1997	Faiola et al. 62/68
D480,590 S *	10/2003	Linz et al. D7/300.1
6,913,165 B2 *	7/2005	Linz et al. 220/568
D510,497 S *	10/2005	Hou D7/300.1

* cited by examiner

Primary Examiner—Stella M. Reid

Assistant Examiner—Shanda C Hill

(74) *Attorney, Agent, or Firm*—Adam L. Brookman; Boyle Fredrickson, S.C.

(57) **CLAIM**

The ornamental design of chilling utensil, substantially as shown and described.

DESCRIPTION

FIG. 1 is an exploded perspective view of a first embodiment of a chilling utensil showing our new design;

FIG. 2 is an elevation view of FIG. 1;

FIG. 3 is an exploded perspective view of a second embodiment of the chilling utensil;

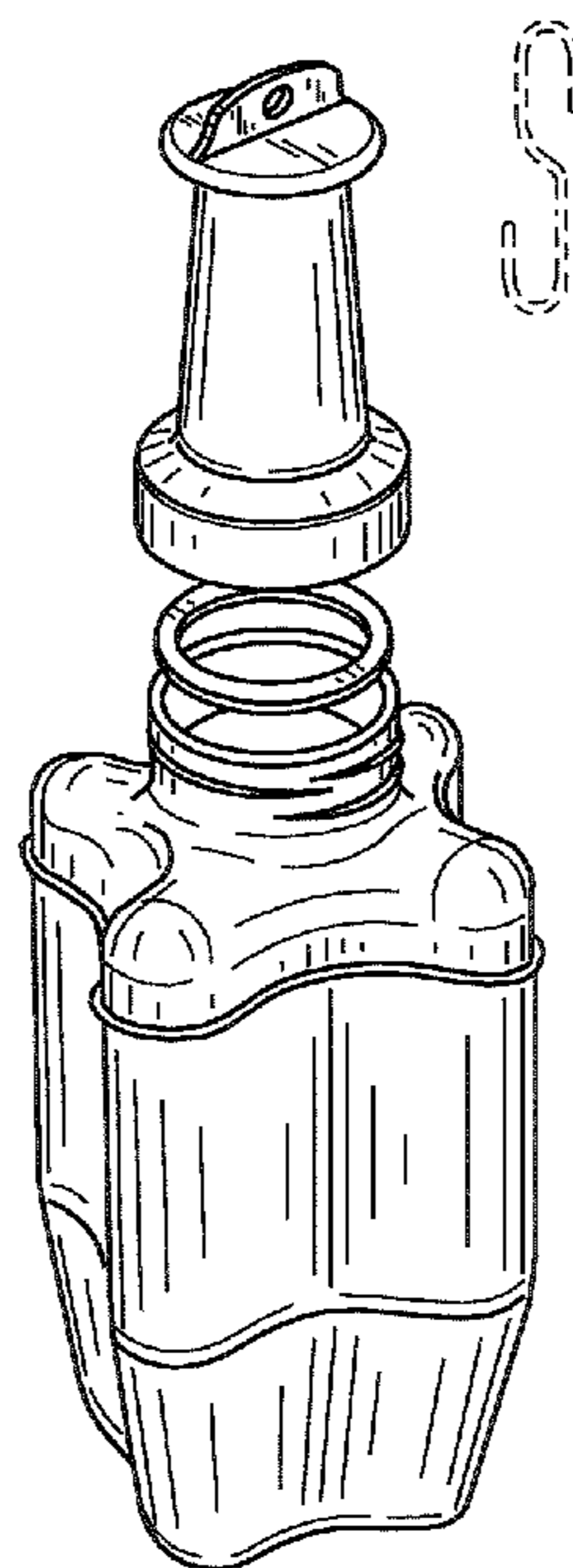
FIG. 4 is an elevation view of FIG. 3;

FIG. 5 is a partial view of FIG. 3; and,

FIG. 6 is a cross sectional elevation taken along line 6—6 of FIG. 3.

The broken lines shown in the drawing disclosure are for illustrative purposes only and form no part of the claimed design.

1 Claim, 3 Drawing Sheets



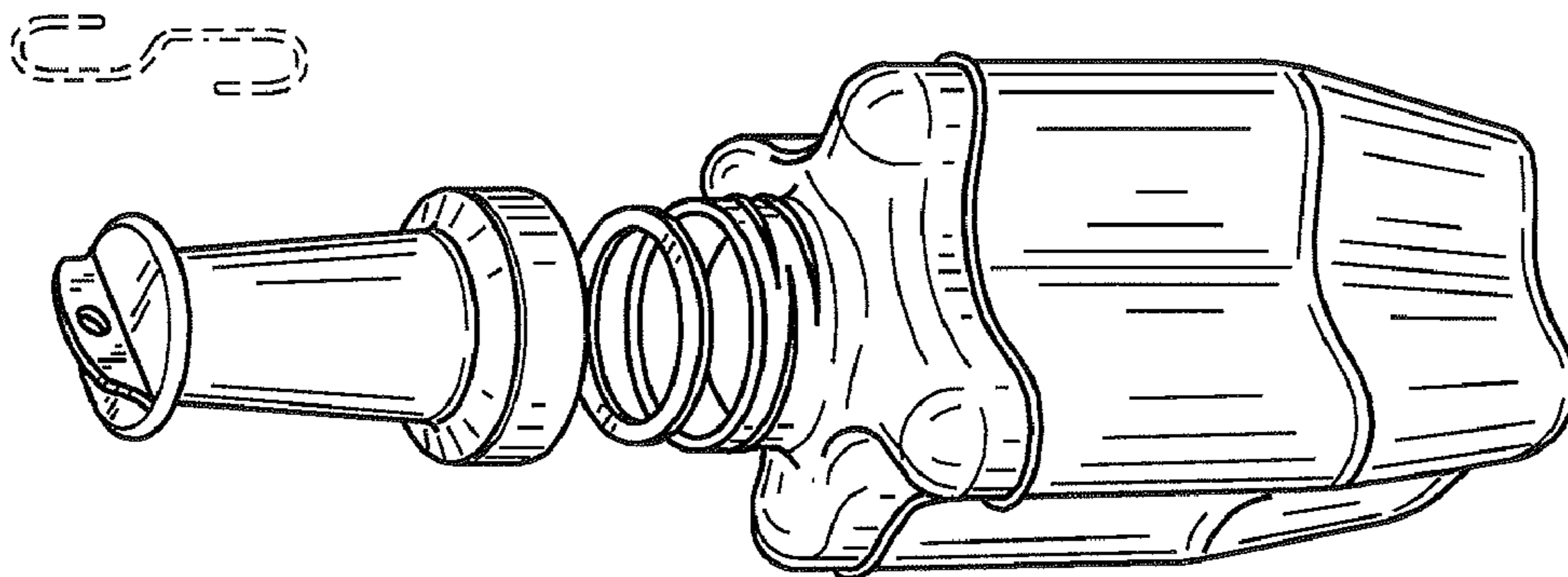


FIG. 1

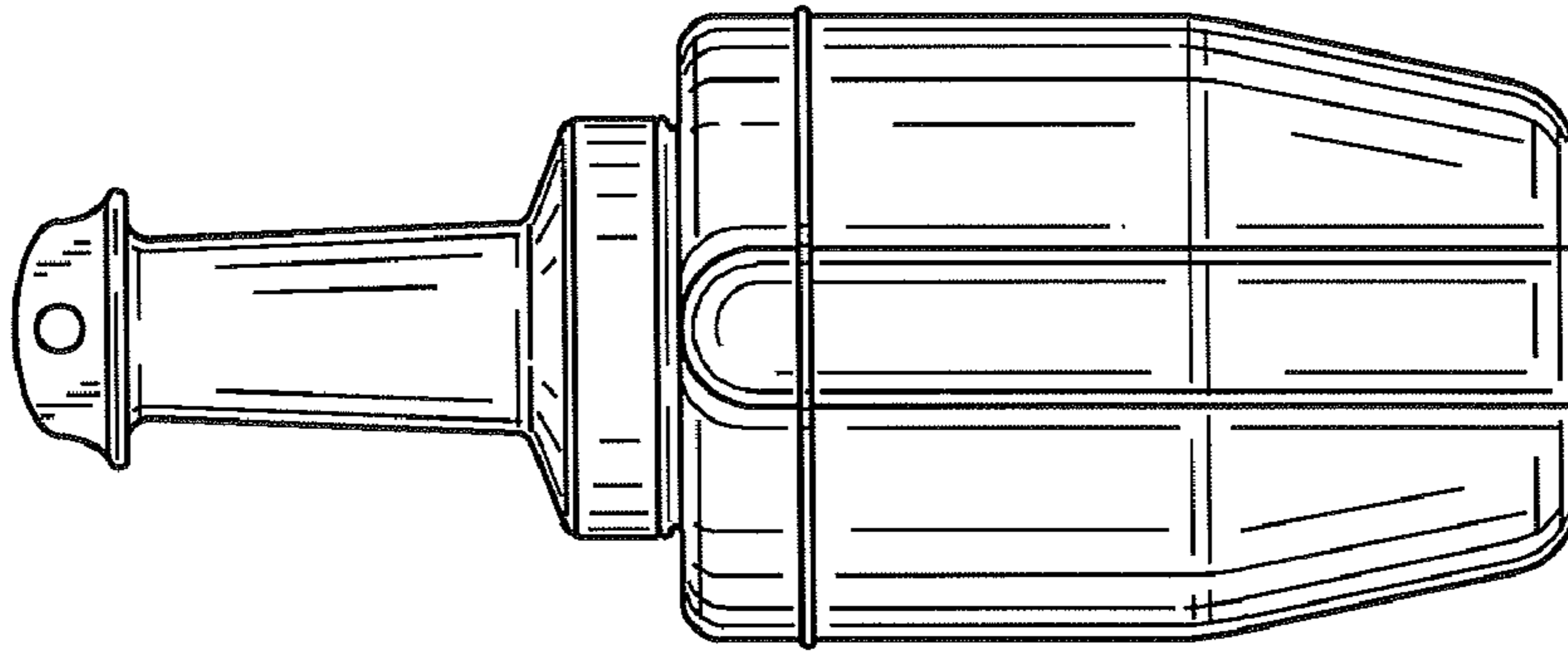


FIG. 2

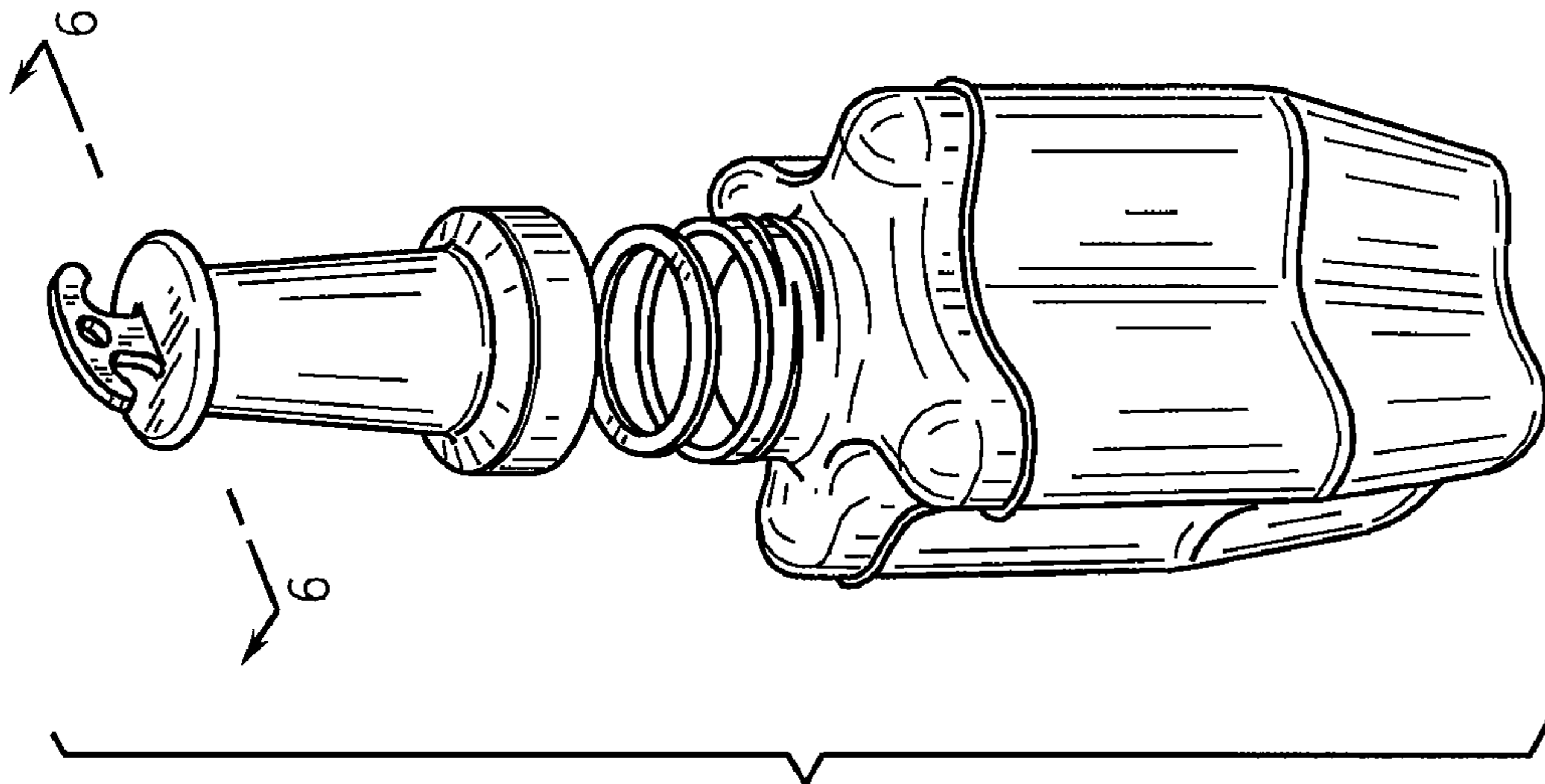


FIG. 3

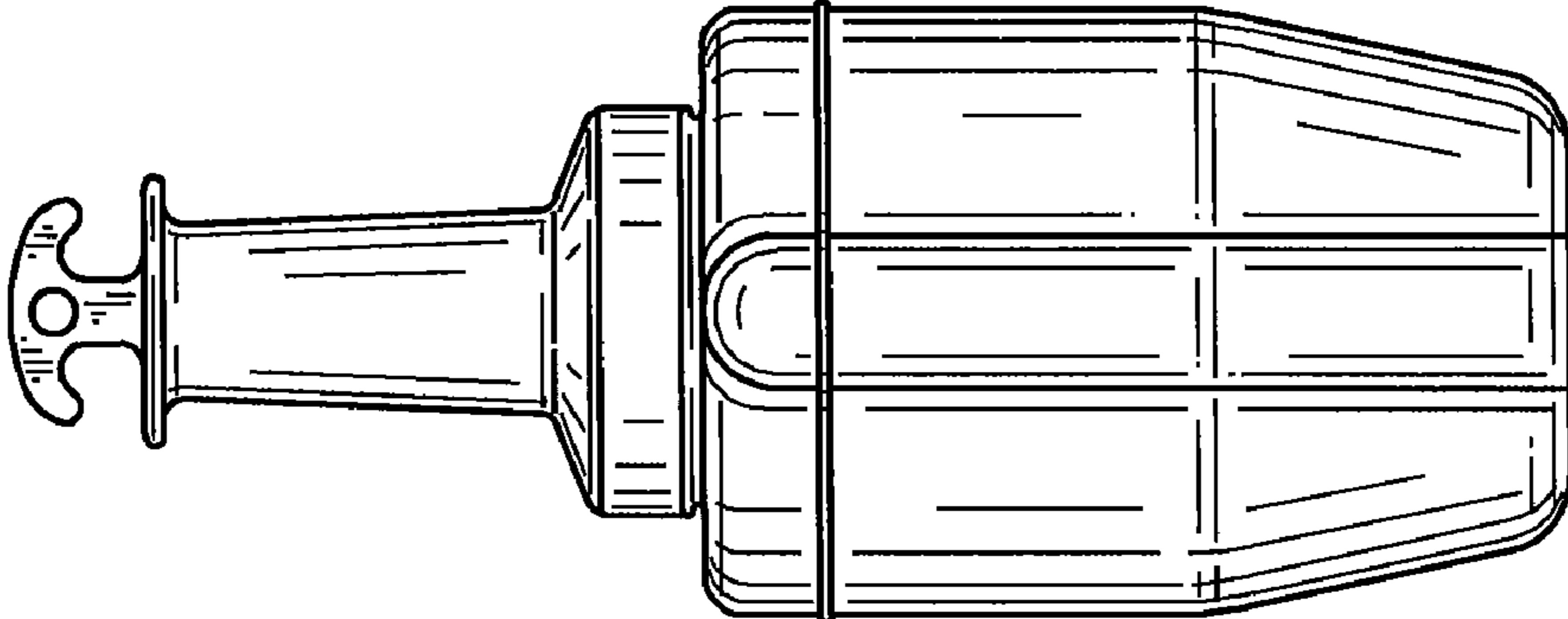


FIG. 4

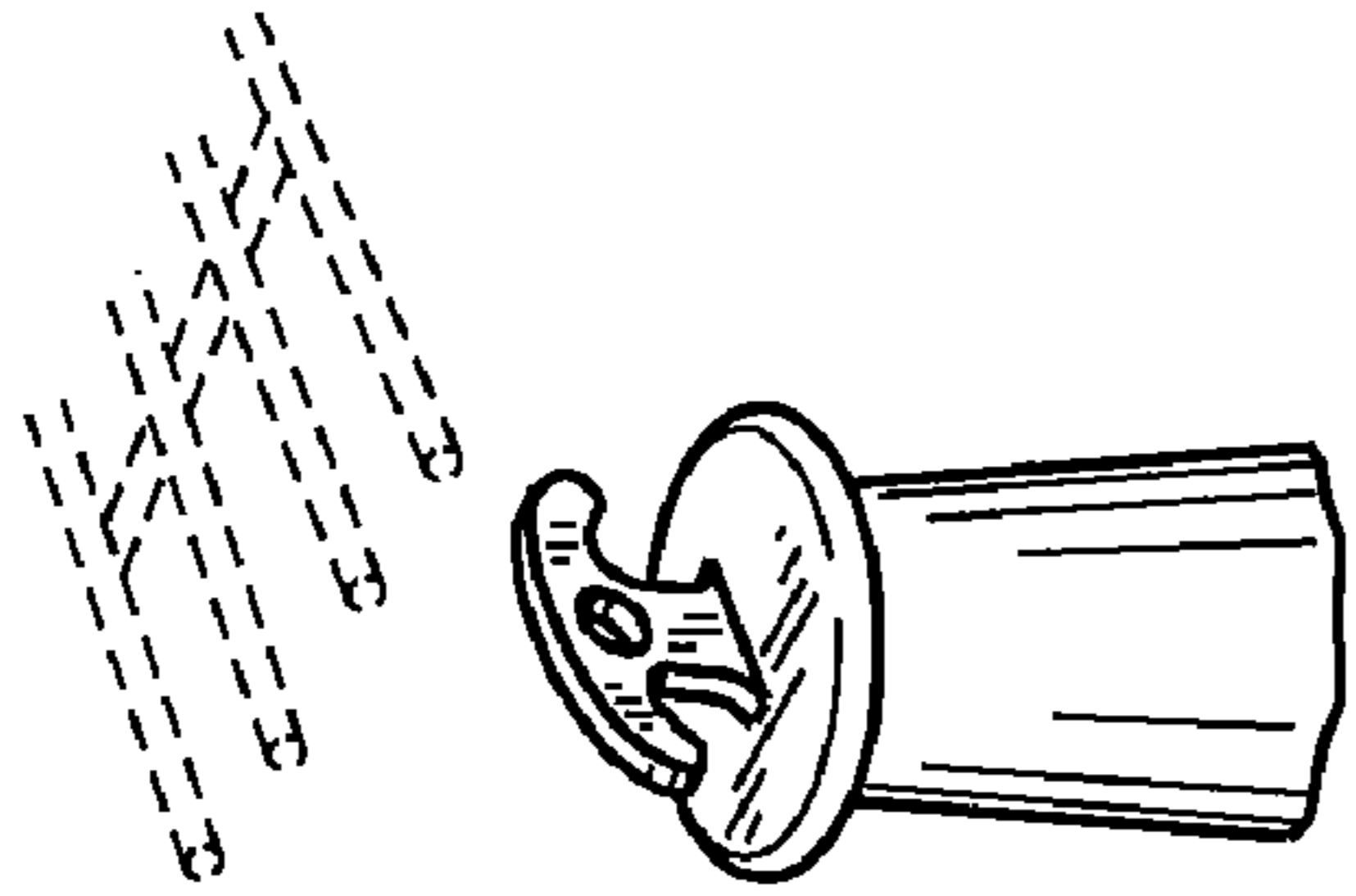


FIG. 5

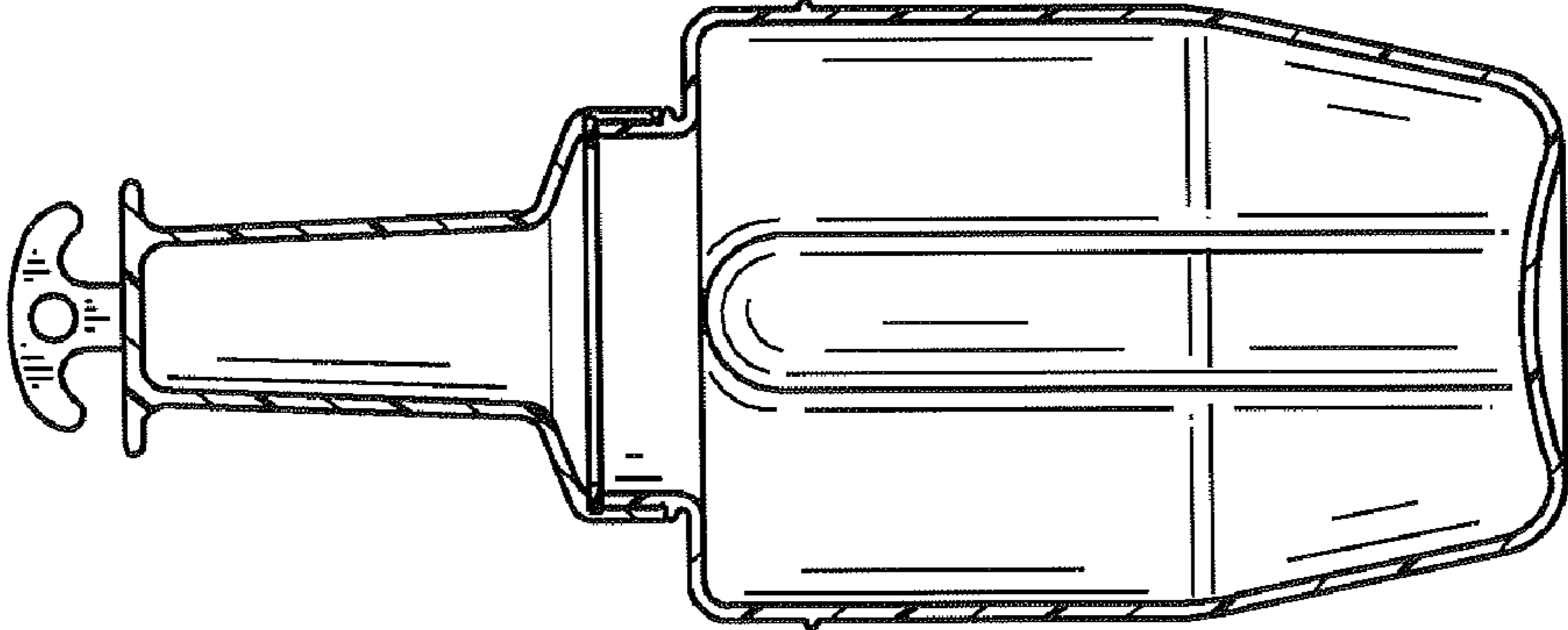


FIG. 6