



US00D577038S

(12) **United States Design Patent**
Nakamura

(10) **Patent No.:** **US D577,038 S**
(45) **Date of Patent:** **** Sep. 16, 2008**

(54) **SEMICONDUCTOR MEMORY CARD
READER FOR TELEVISION**

(75) Inventor: **Makoto Nakamura**, Kadoma (JP)

(73) Assignee: **Matsushita Electric Industrial Co.,
Ltd.**, Osaka (JP)

(**) Term: **14 Years**

(21) Appl. No.: **29/271,245**

(22) Filed: **Jan. 12, 2007**

(30) **Foreign Application Priority Data**

Jul. 21, 2006 (JP) 2006-019212

(51) **LOC (8) Cl.** **14-03**

(52) **U.S. Cl.** **D14/496; D14/435; D14/385**

(58) **Field of Classification Search** D14/356,
D14/496, 383-387, 420, 432, 218, 433, 436,
D14/126, 448, 217, 453; 361/679, 684, 686,
361/737, 752; 235/435, 451, 486, 487, 380-382.5;
382/103, 312, 313; 463/1, 43-47
See application file for complete search history.

(56) **References Cited**

U.S. PATENT DOCUMENTS

D408,799 S 4/1999 Daury
D470,850 S * 2/2003 Nishio et al. D14/435
D473,234 S * 4/2003 Hussaini et al. D14/436
D482,693 S * 11/2003 Nishio et al. D14/433
6,648,224 B2 * 11/2003 Lee 235/451

6,916,208 B2 * 7/2005 Chen et al. 439/639
D522,511 S 6/2006 Sekou
D523,732 S * 6/2006 Farrar et al. D8/346
7,077,316 B2 * 7/2006 Lin et al. 235/451
D539,799 S * 4/2007 Liang D14/385
D569,375 S * 5/2008 Yu et al. D14/385
2003/0178486 A1 * 9/2003 Teng et al. 235/441
2004/0140358 A1 * 7/2004 Cheng 235/441
2004/0234251 A1 * 11/2004 Kao 386/125
2008/0135628 A1 * 6/2008 Aoki et al. 235/492

* cited by examiner

Primary Examiner—Prabhakar Deshmukh

(74) *Attorney, Agent, or Firm*—Brinks Hofer Gilson & Lione

(57) **CLAIM**

I claim the ornamental design for a semiconductor memory card reader for television, as shown and described.

DESCRIPTION

FIG. 1 is a front perspective view of a semiconductor memory card reader for television of the present invention;

FIG. 2 is a rear perspective view thereof;

FIG. 3 is a front view thereof;

FIG. 4 is a rear view thereof;

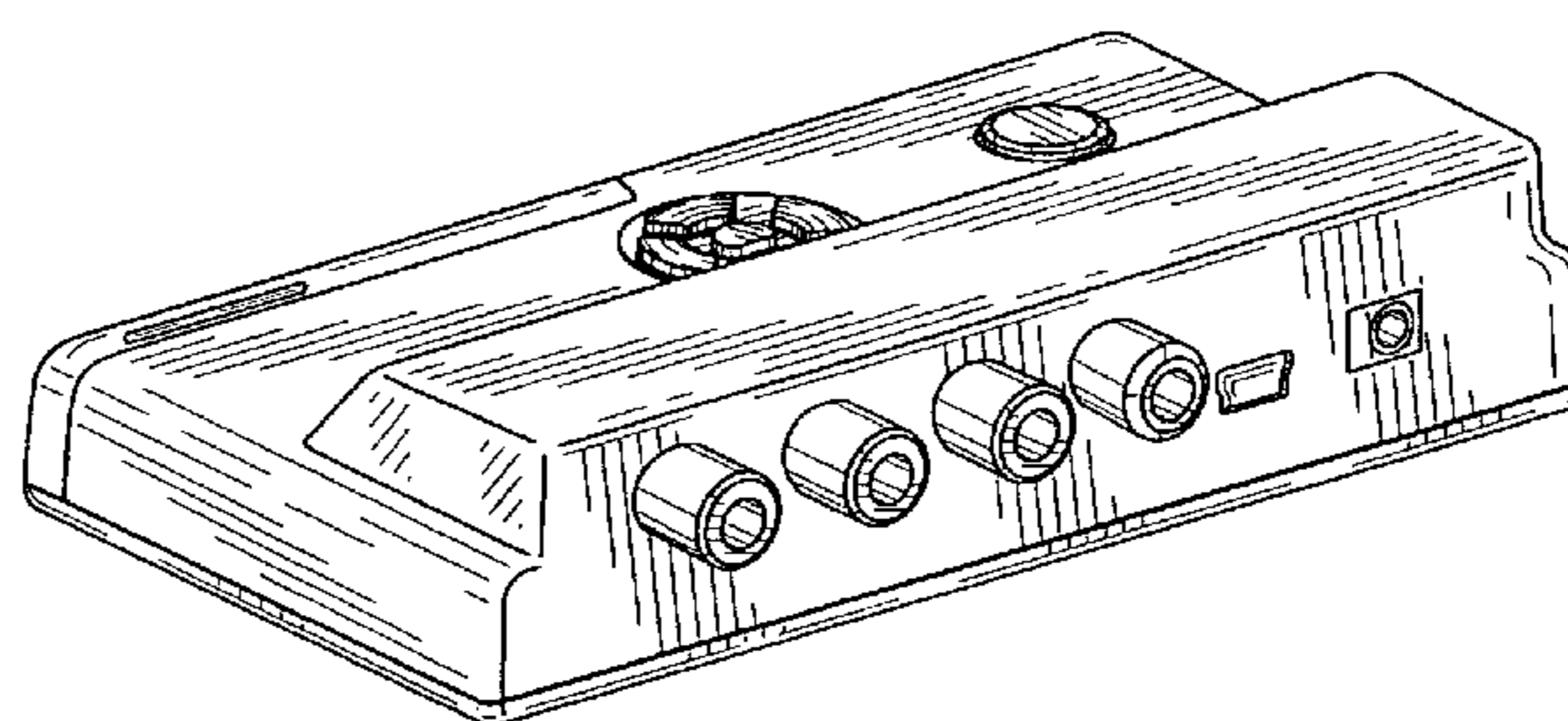
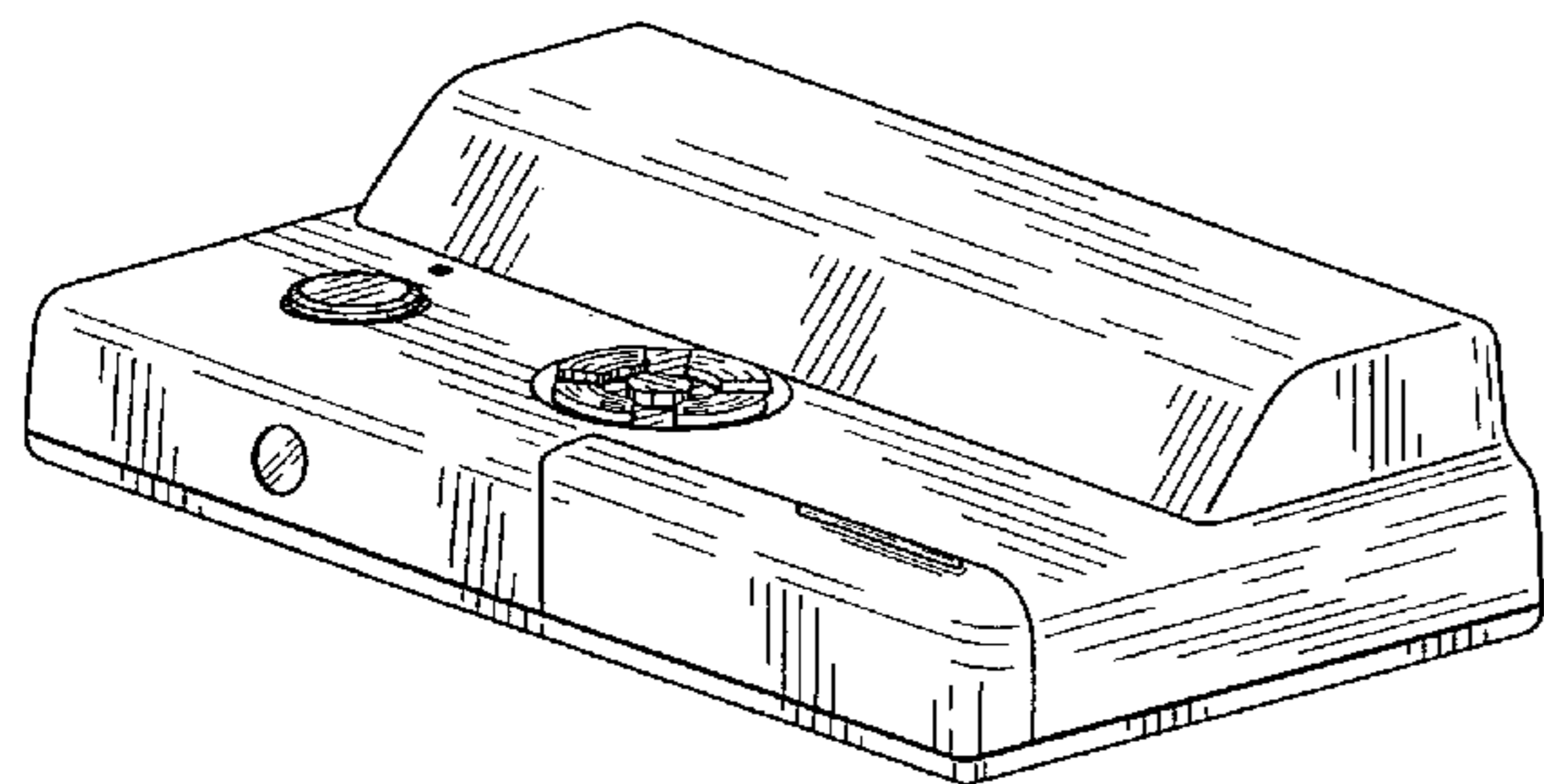
FIG. 5 is a first side view thereof;

FIG. 6 is a second side view thereof;

FIG. 7 is a top view thereof; and,

FIG. 8 is a bottom view thereof.

1 Claim, 4 Drawing Sheets



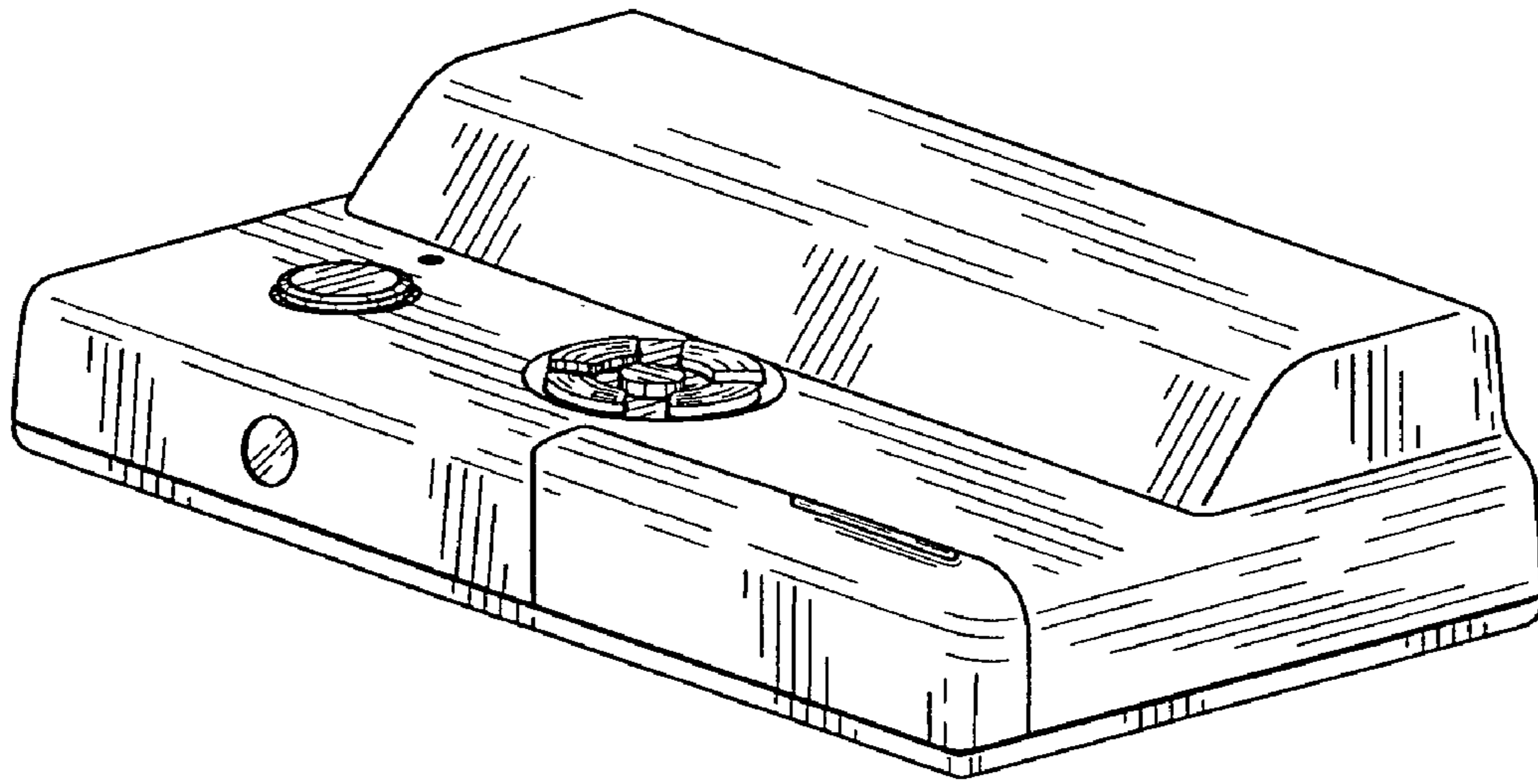


FIG. 1

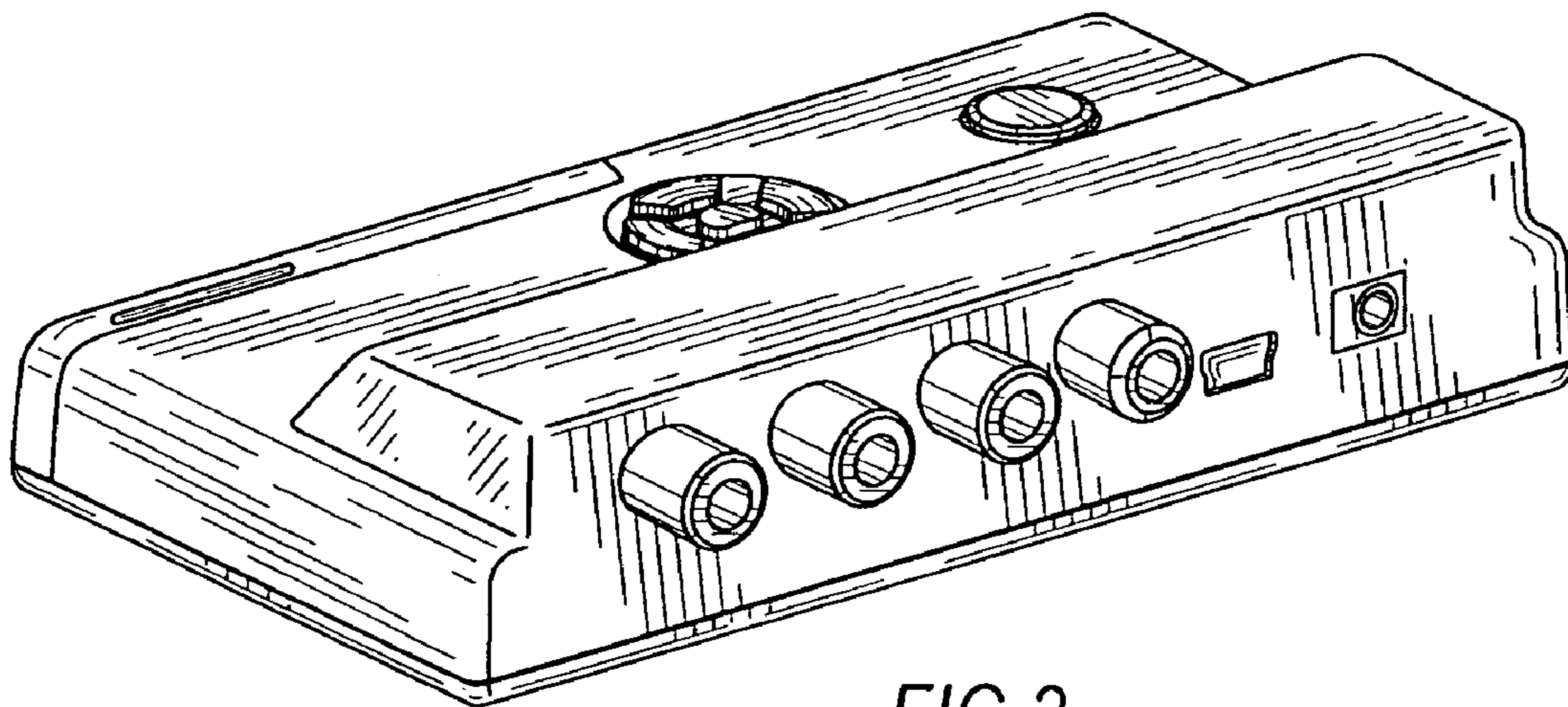


FIG. 2

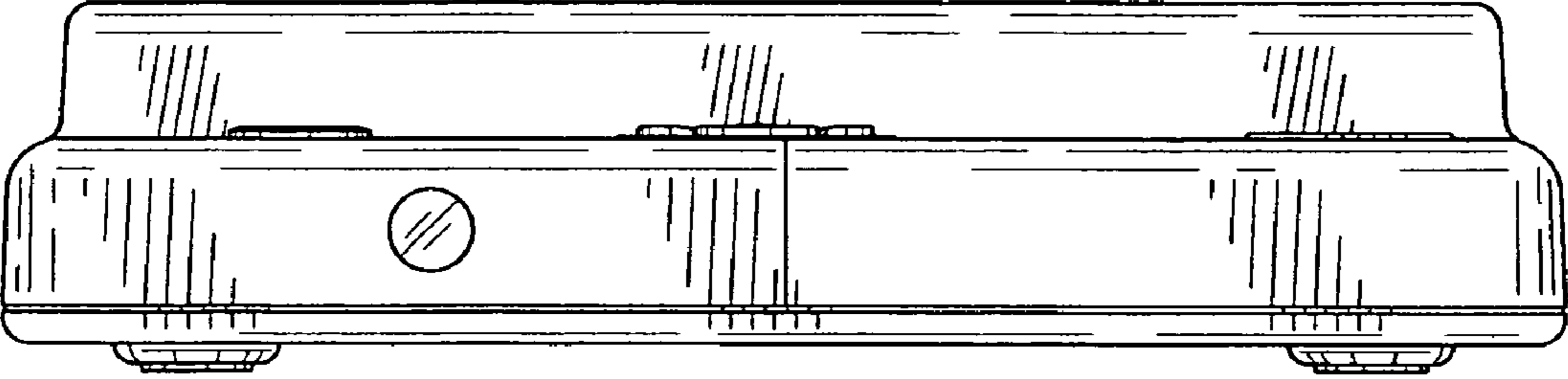


FIG.3

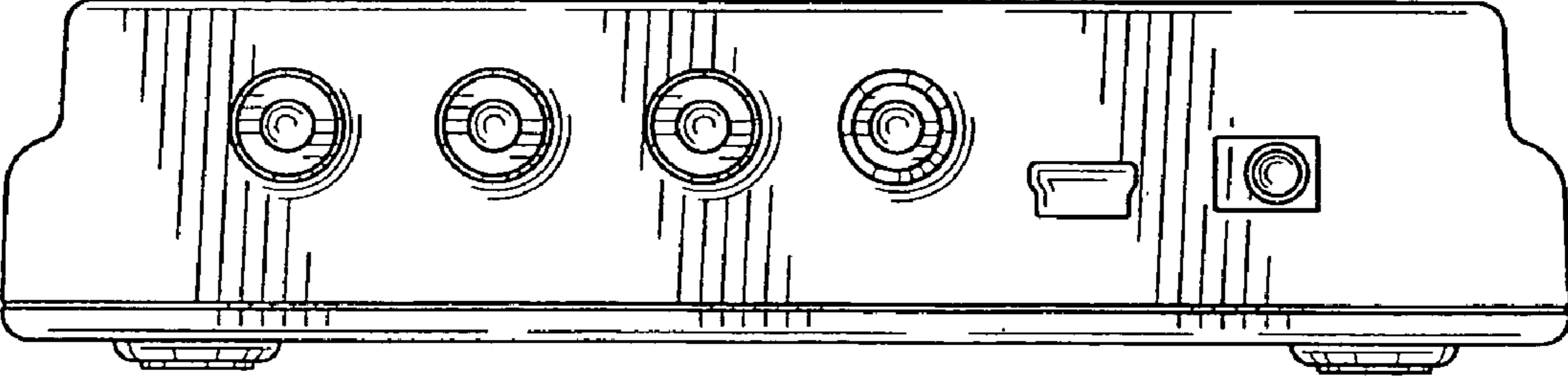


FIG.4

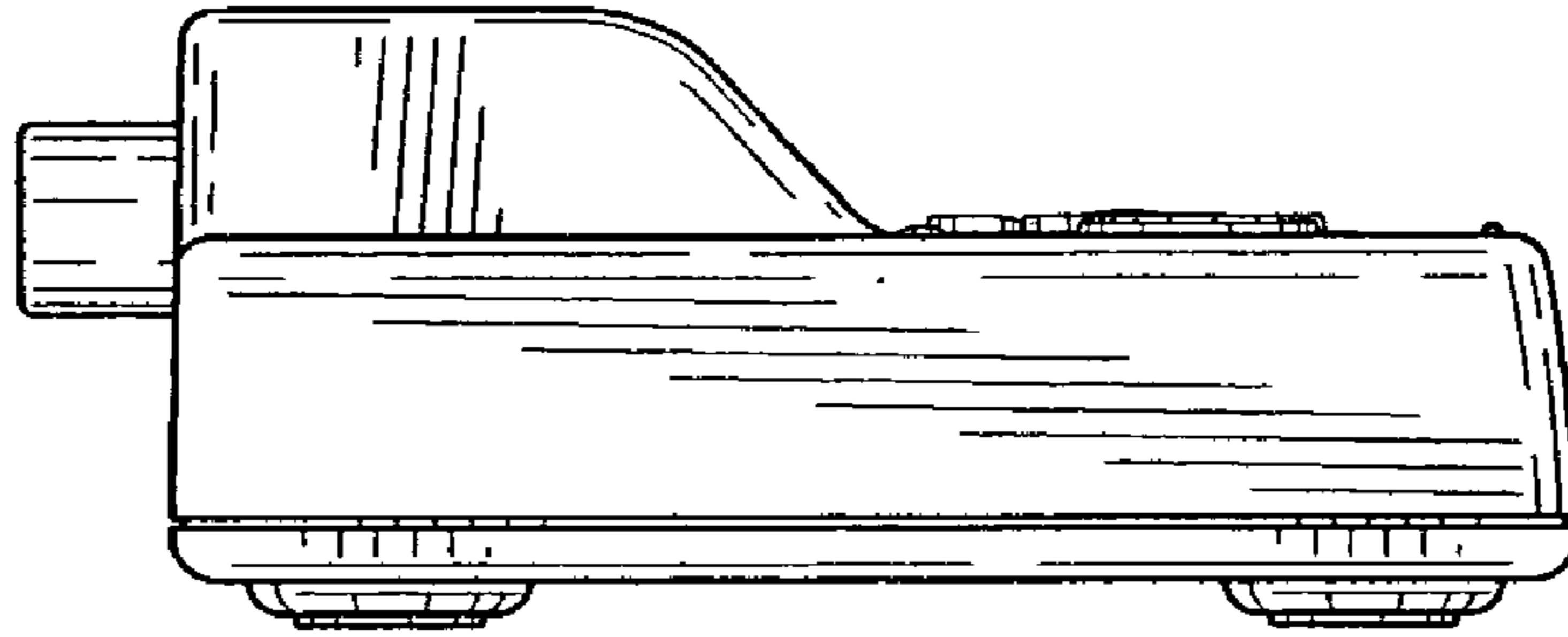


FIG. 5

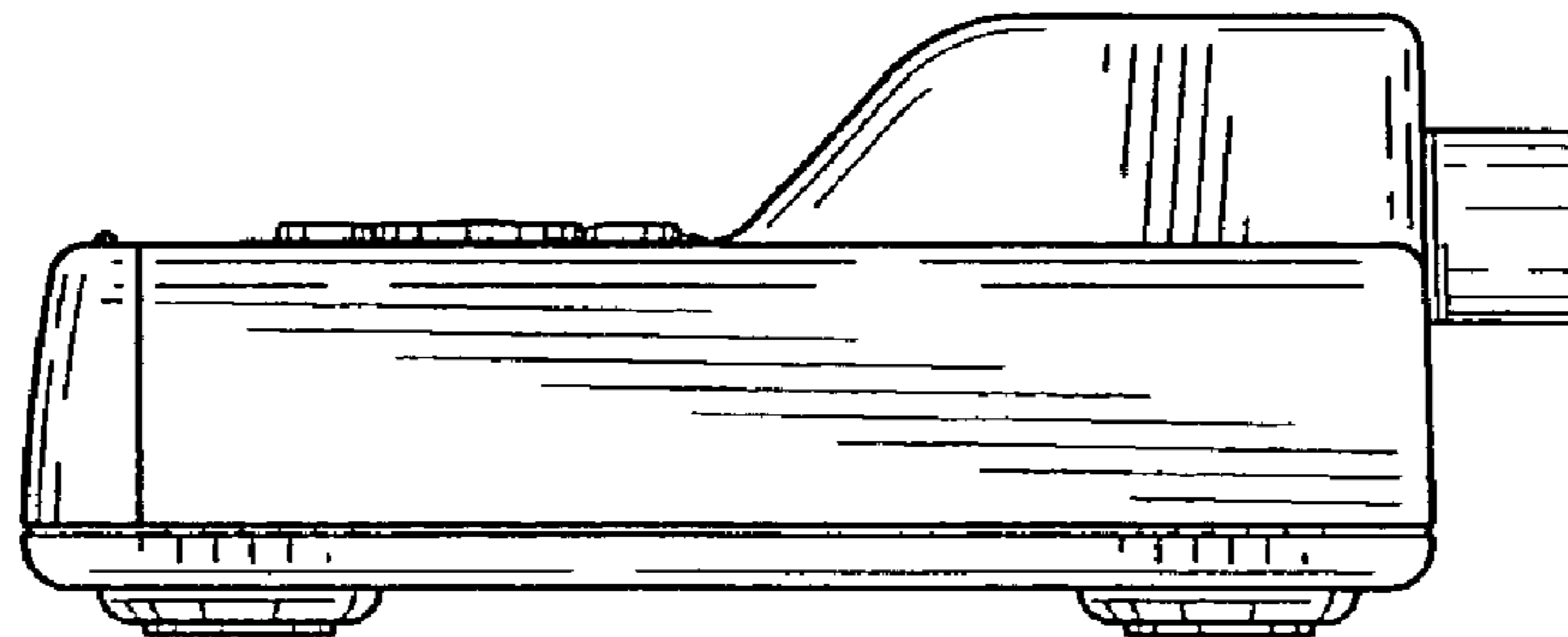


FIG. 6

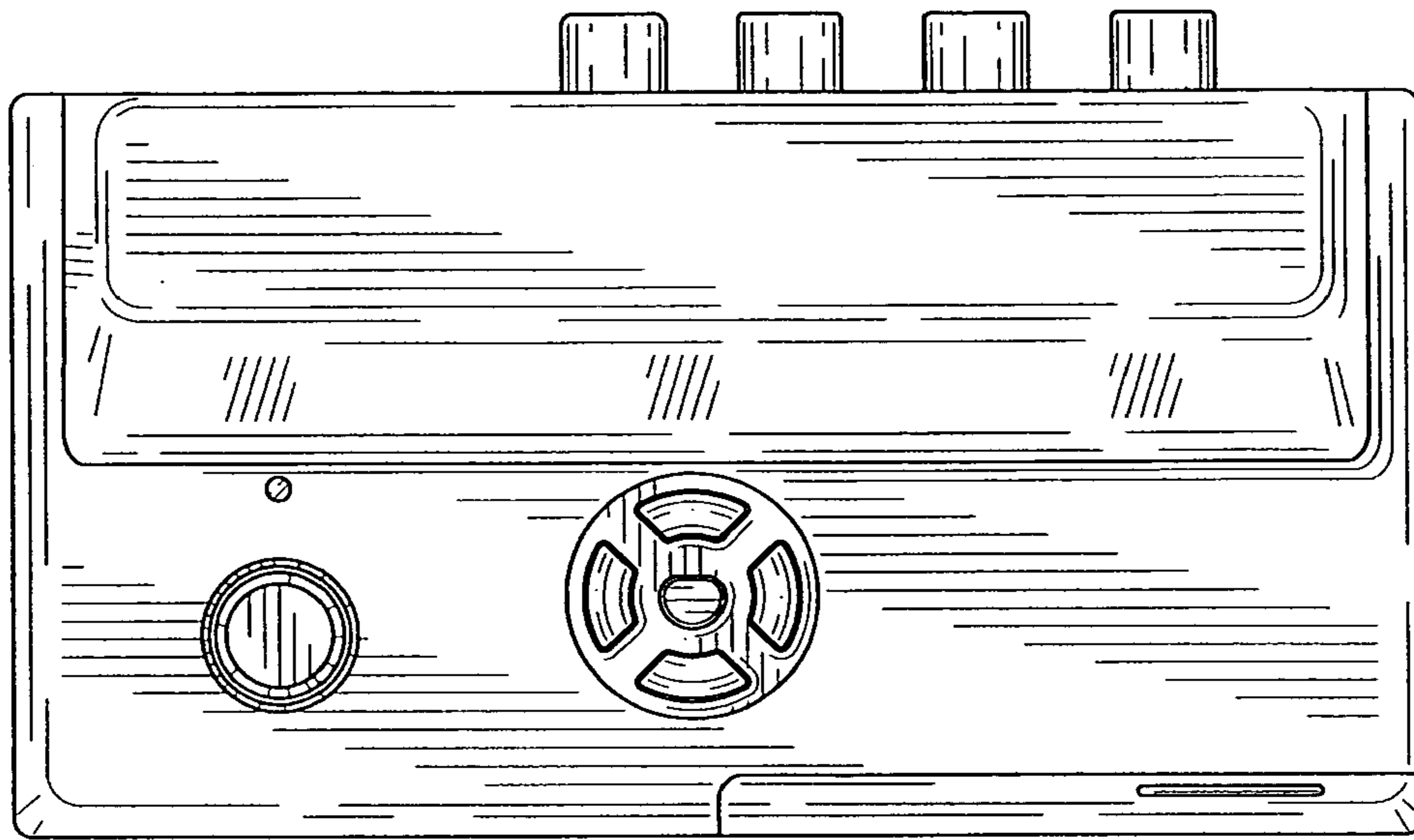


FIG. 7

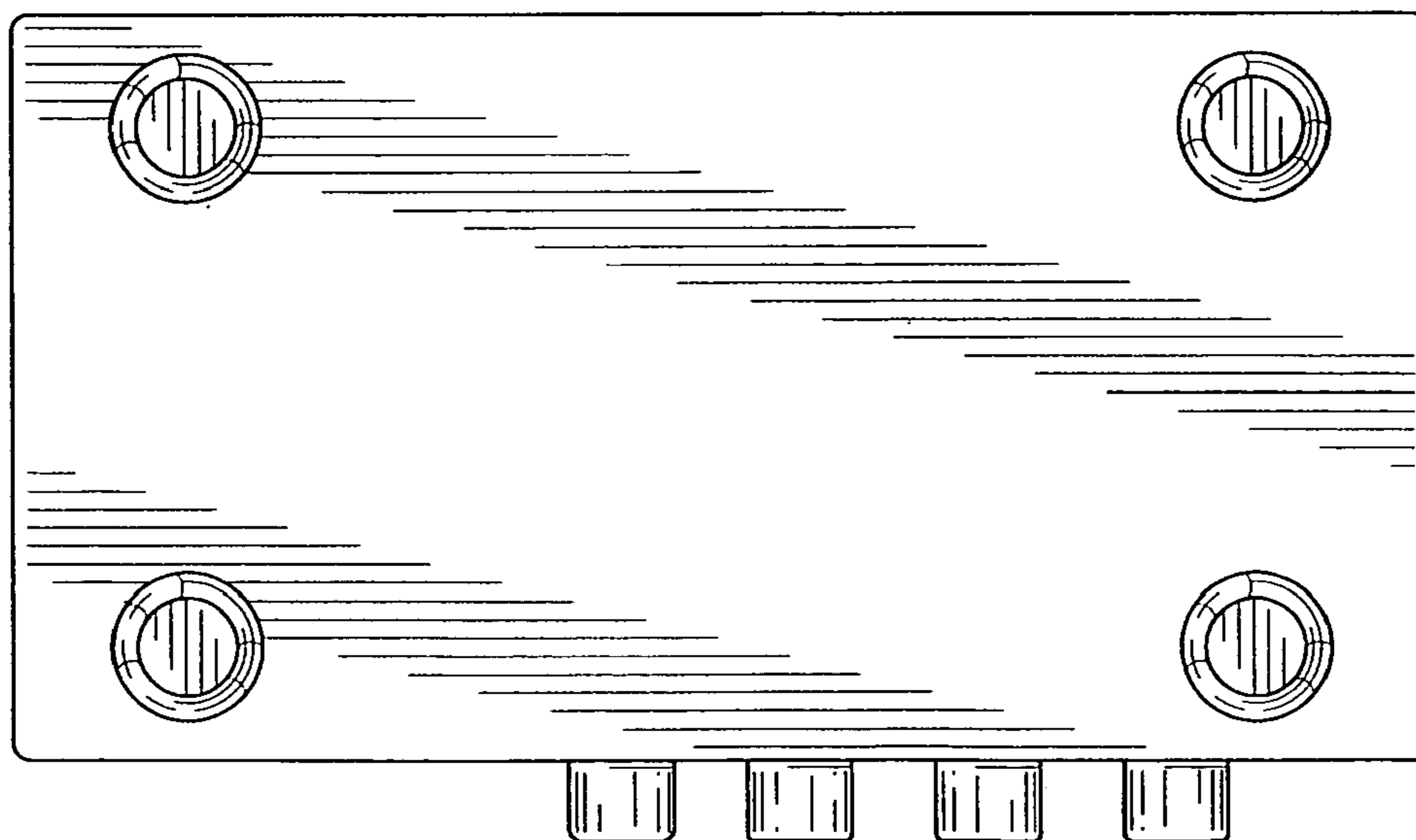


FIG. 8