

US00D577029S

(12) **United States Design Patent**  
**Naqvi et al.**

(10) **Patent No.:** **US D577,029 S**  
(45) **Date of Patent:** **\*\* Sep. 16, 2008**

(54) **MOUSE PAD IN THE SHAPE OF A BASEBALL JERSEY**

(76) Inventors: **Ali Naqvi**, 1027 Rexford La., Anaheim, CA (US) 92808; **Karim A. Virani**, 1027 Rexford La., Anaheim, CA (US) 92808

(\*\*) Term: **14 Years**

(21) Appl. No.: **29/295,007**

(22) Filed: **Sep. 19, 2007**

**Related U.S. Application Data**

(62) Division of application No. 29/235,537, filed on Aug. 3, 2005, now Pat. No. Des. 555,658.

(51) **LOC (8) Cl.** ..... **14-02**

(52) **U.S. Cl.** ..... **D14/458**

(58) **Field of Classification Search** ..... D2/717, D2/753, 840, 828-830, 839; D6/316; D14/458, D14/459; D20/42, 29; D7/625, 624.1; D19/52, D19/88, 24; D11/125, 133; 2/113, 115, 2/69, 85, 93; 428/7, 29; 239/34, 53, 56-58  
See application file for complete search history.

(56) **References Cited**

**U.S. PATENT DOCUMENTS**

1,683,792 A	9/1928	Naumburg
2,417,628 A	3/1947	Brisker
D159,155 S	6/1950	Kelly et al.
D159,156 S	6/1950	Kelly et al.
D172,746 S	8/1954	Giovagnoni
2,707,284 A	5/1955	Artzt
D185,093 S	5/1959	Moss
D220,822 S	5/1971	De Wan
3,873,999 A	4/1975	Artzt
4,501,025 A	2/1985	Kuznetz
4,608,715 A	9/1986	Miller et al.
4,646,366 A	3/1987	Nishida et al.
D306,511 S	3/1990	Jones
4,987,610 A	1/1991	Hunt
D316,571 S	4/1991	Romero-Comas et al.
5,016,284 A	5/1991	Brown

(Continued)

**OTHER PUBLICATIONS**

T-shirt shaped incense from Alibaba web site, wayback machined dated Feb. 10, 2005, 1 pg.

(Continued)

*Primary Examiner*—Freda S. Nunn

*Assistant Examiner*—Deanna Fluegeman

(74) *Attorney, Agent, or Firm*—Knobbe, Martens, Olson & Bear, LLP

(57) **CLAIM**

The ornamental design for a mouse pad in the shape of a baseball jersey, as shown and described herein.

**DESCRIPTION**

FIG. 1 is a perspective view of a mouse pad in the shape of a baseball jersey.

FIG. 2 is a front elevational view of a mouse pad in the shape of a baseball jersey.

FIG. 3 is a rear elevational view of a mouse pad in the shape of a baseball jersey.

FIG. 4 is a top view of a mouse pad in the shape of a baseball jersey.

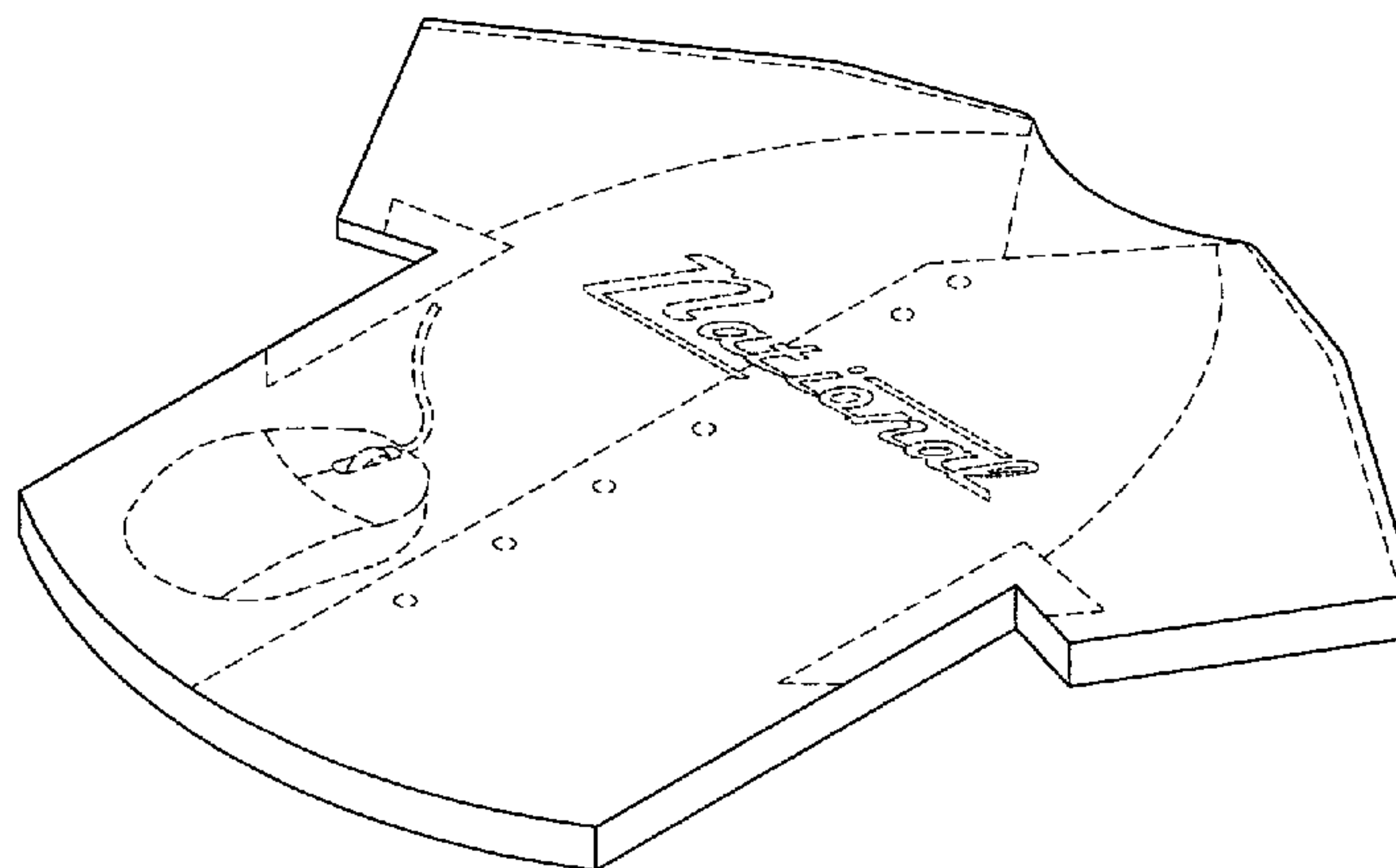
FIG. 5 is a bottom view of a mouse pad in the shape of a baseball jersey.

FIG. 6 is a left side view of a mouse pad in the shape of a baseball jersey; and,

FIG. 7 is a right side view of a mouse pad in the shape of a baseball jersey.

The elements illustrated in dashed lines in the accompanying drawings are considered environmental and do not form a part of the claimed design.

**1 Claim, 2 Drawing Sheets**



# US D577,029 S

Page 2

## U.S. PATENT DOCUMENTS

D321,786 S	11/1991	Kraus	
D323,243 S *	1/1992	Kraus	..... D3/211
5,115,516 A	5/1992	Golde	
5,175,888 A	1/1993	Clark	
D339,221 S	9/1993	Olajide	
D360,651 S	7/1995	Budde et al.	
D382,551 S *	8/1997	Tran	..... D14/458
D384,597 S	10/1997	Witteveenn	
D393,736 S	4/1998	Rubin	
D399,052 S	10/1998	Fritsche	
D403,707 S	1/1999	Wyatt et al.	
D408,131 S *	4/1999	Fritsche	..... D3/211
D408,132 S	4/1999	Fritsche	
D413,971 S	9/1999	Fritsche	
5,983,394 A	11/1999	Joo	
D425,048 S	5/2000	Lin	
6,070,274 A	6/2000	van der Sleesen	
D430,219 S	8/2000	Chagan	
6,101,645 A	8/2000	Hill	
D432,225 S	10/2000	Fritsche	
6,163,883 A	12/2000	Hong	
D439,965 S	4/2001	Aiken	
D440,297 S	4/2001	Aiken	
D440,646 S	4/2001	Aiken	
D441,857 S	5/2001	Aiken	
D443,953 S *	6/2001	Slaboden	..... D28/8.2
6,260,196 B1	7/2001	Van der Sleesen	
D449,859 S *	10/2001	Witteveen	..... D20/42
D476,014 S *	6/2003	Mabbutt	..... D14/458
D476,338 S *	6/2003	Mabbutt	..... D14/458
D476,661 S *	7/2003	Mabbutt	..... D14/458
D476,993 S	7/2003	Mabbutt	
D478,123 S *	8/2003	Marshall	..... D19/24
D479,901 S	9/2003	Brownlee	
D484,434 S *	12/2003	Andrys	..... D11/133
D486,342 S *	2/2004	Suzuki	..... D6/601
D498,174 S	11/2004	Puett, III	
D501,893 S *	2/2005	Puett, III	..... D21/400
D505,642 S	5/2005	Puett, III	
D505,643 S	5/2005	Puett, III	
D505,885 S	6/2005	Puett, III	
D505,887 S	6/2005	Puett, III	
D505,888 S	6/2005	Puett, III	
D506,206 S *	6/2005	Mabbutt	..... D14/458
D506,704 S	6/2005	Puett, III	
D508,698 S *	8/2005	Mabbutt	..... D14/458
D509,458 S	9/2005	Puett, III	
D511,166 S *	11/2005	Mabbutt	..... D14/458
D514,214 S	1/2006	Green et al.	
D514,681 S	2/2006	Arnold	
D514,682 S	2/2006	Green et al.	
D514,683 S	2/2006	Green et al.	
D514,776 S	2/2006	Green, Jr.	
D517,188 S	3/2006	Naqvi	
D517,282 S	3/2006	Tanner et al.	
D521,712 S	5/2006	Overby	
D533,932 S	12/2006	Naqvi	
D535,006 S	1/2007	Virani	
D535,380 S	1/2007	Naqvi	
D536,776 S	2/2007	Virani	
D537,158 S	2/2007	Virani	
D543,213 S	5/2007	Virani	
D550,427 S	9/2007	Moore	
D553,674 S *	10/2007	Davanis	..... D19/6
D555,658 S	11/2007	Naqvi et al.	
2003/0013368 A1	1/2003	Braun	
2006/0169796 A1 *	8/2006	Timpson et al.	..... 239/53

## OTHER PUBLICATIONS

U.S. Appl. No. 29/295,006, filed Sep. 19, 2007, pending.

U.S. Appl. No. 29/295,005, filed Sep. 19, 2007, pending.

\* cited by examiner

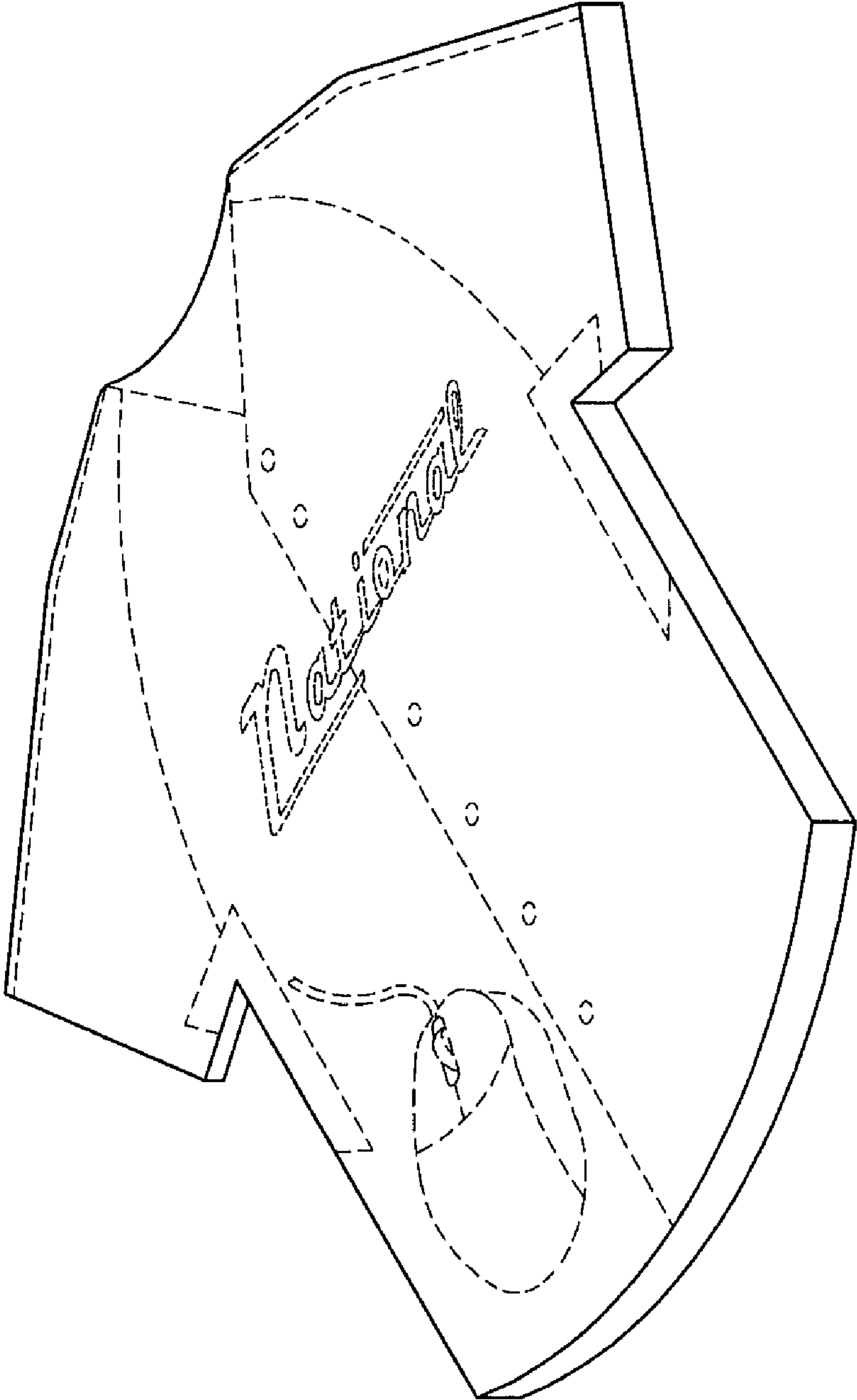


FIG. 1

FIG. 4

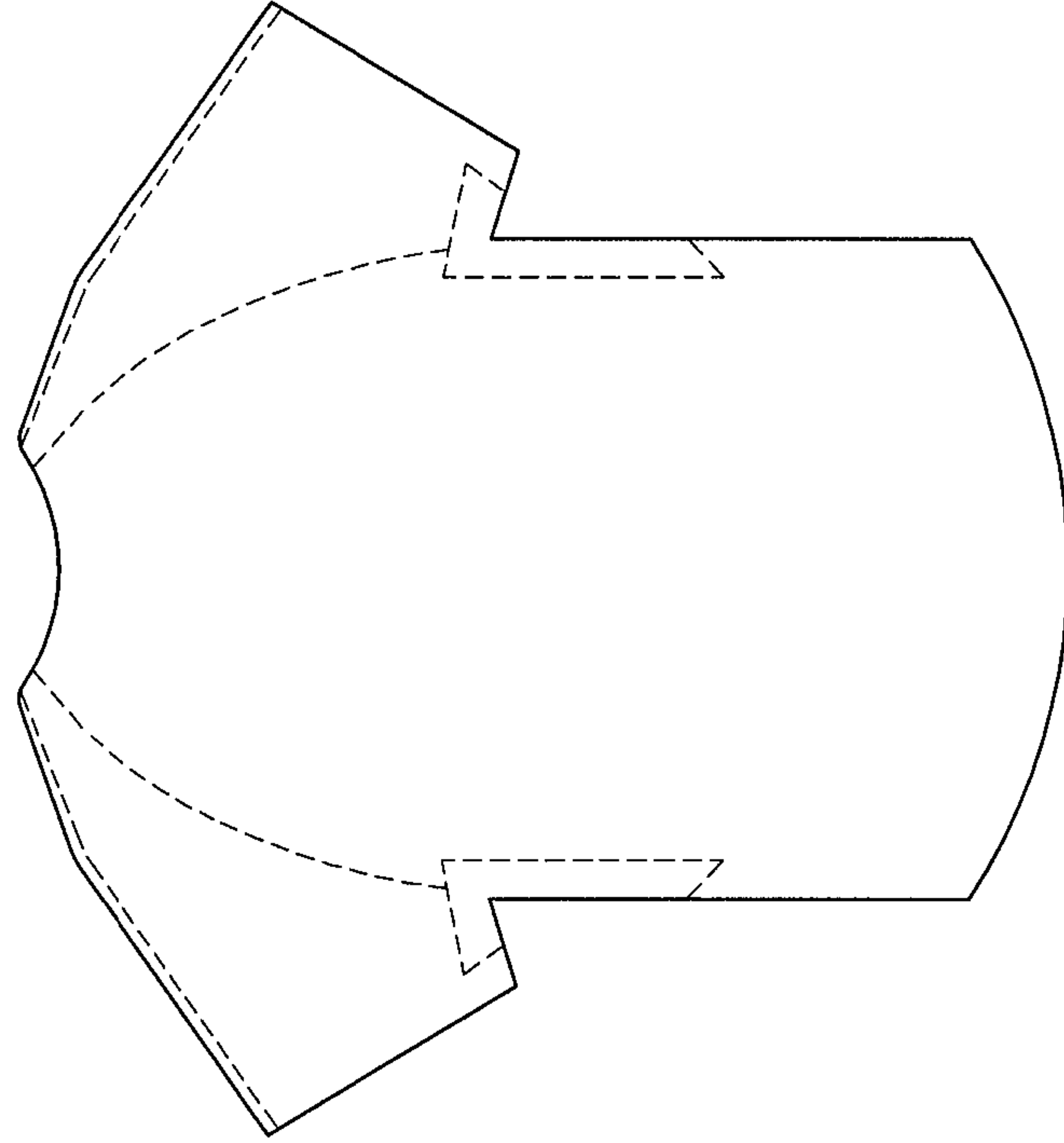


FIG. 7

FIG. 3

FIG. 4

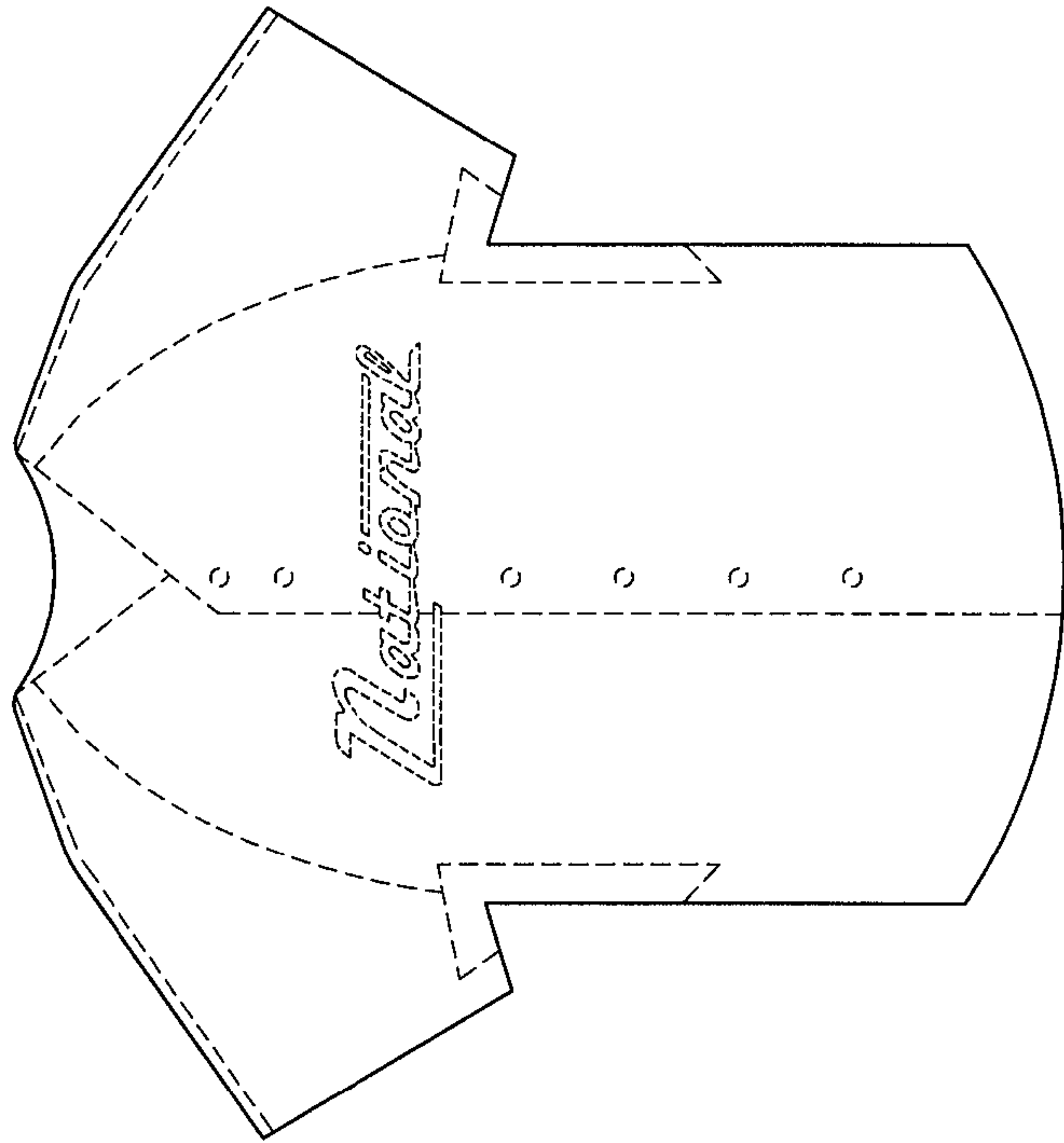


FIG. 2

FIG. 5

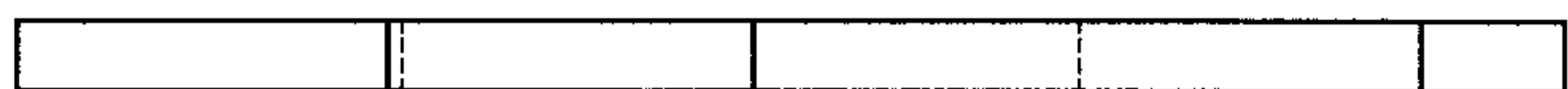


FIG. 6