



US00D577026S

(12) **United States Design Patent**
Wang et al.

(10) **Patent No.:** **US D577,026 S**
(45) **Date of Patent:** **** Sep. 16, 2008**

(54) **COMPUTER MODULE HAVING A HANDLE**

(75) Inventors: **Qiang Wang**, Houston, TX (US); **Gregg Schmidtke**, Ft. Collins, CO (US); **Arthur Wu**, Duluth, GA (US)

(73) Assignee: **Hewlett-Packard Development Company, L.P.**, Houston, TX (US)

(**) Term: **14 Years**

(21) Appl. No.: **29/263,157**

(22) Filed: **Jul. 17, 2006**

(51) **LOC (8) Cl.** **14-02**

(52) **U.S. Cl.** **D14/439**

(58) **Field of Classification Search** D14/300–302, D14/308–314, 328, 348, 349, 356–370, 432, D14/439–447, 465, 134, 126, 129; D13/123, D13/133, 146, 147, 154, 156, 158, 162, 173, D13/175, 177, 184, 110; D8/331, 336, 338, D8/349; 361/683–686, 725–727; 439/372, 439/116, 157; 312/333, 332.1, 223.1

See application file for complete search history.

(56) **References Cited**

U.S. PATENT DOCUMENTS

D185,306 S * 5/1959 Montment et al. D14/134

(Continued)

OTHER PUBLICATIONS

U.S. Appl. No. 29/235,637, filed Aug. 3, 2005, Wang et al.

(Continued)

Primary Examiner—Freda S. Nunn
Assistant Examiner—Deanna Fluegeman

(57) **CLAIM**

The ornamental design for a computer module having a handle, as shown and described.

DESCRIPTION

FIG. 1 is a front perspective view of the design for the computer module having a handle, illustrating a recessed portion of the handle, wherein the computer module is disposed removably in a portion of a computer or server, such as a rack mount server;

FIG. 2 is a front view of the design for the computer module having a handle as illustrated in FIG. 1, illustrating an upper interior slot or open portion in the recessed portion of the handle, wherein the computer module is removed from the computer;

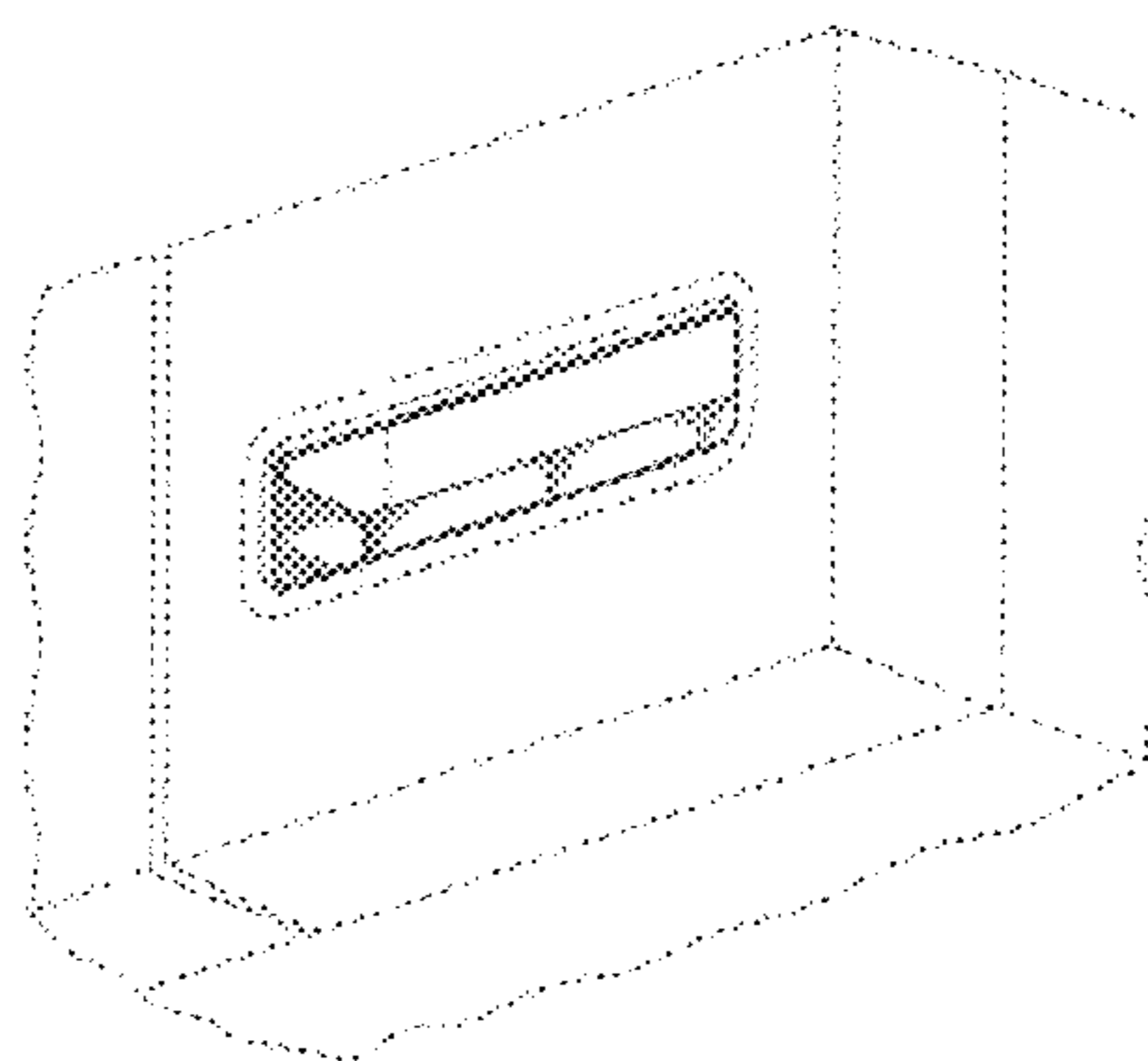
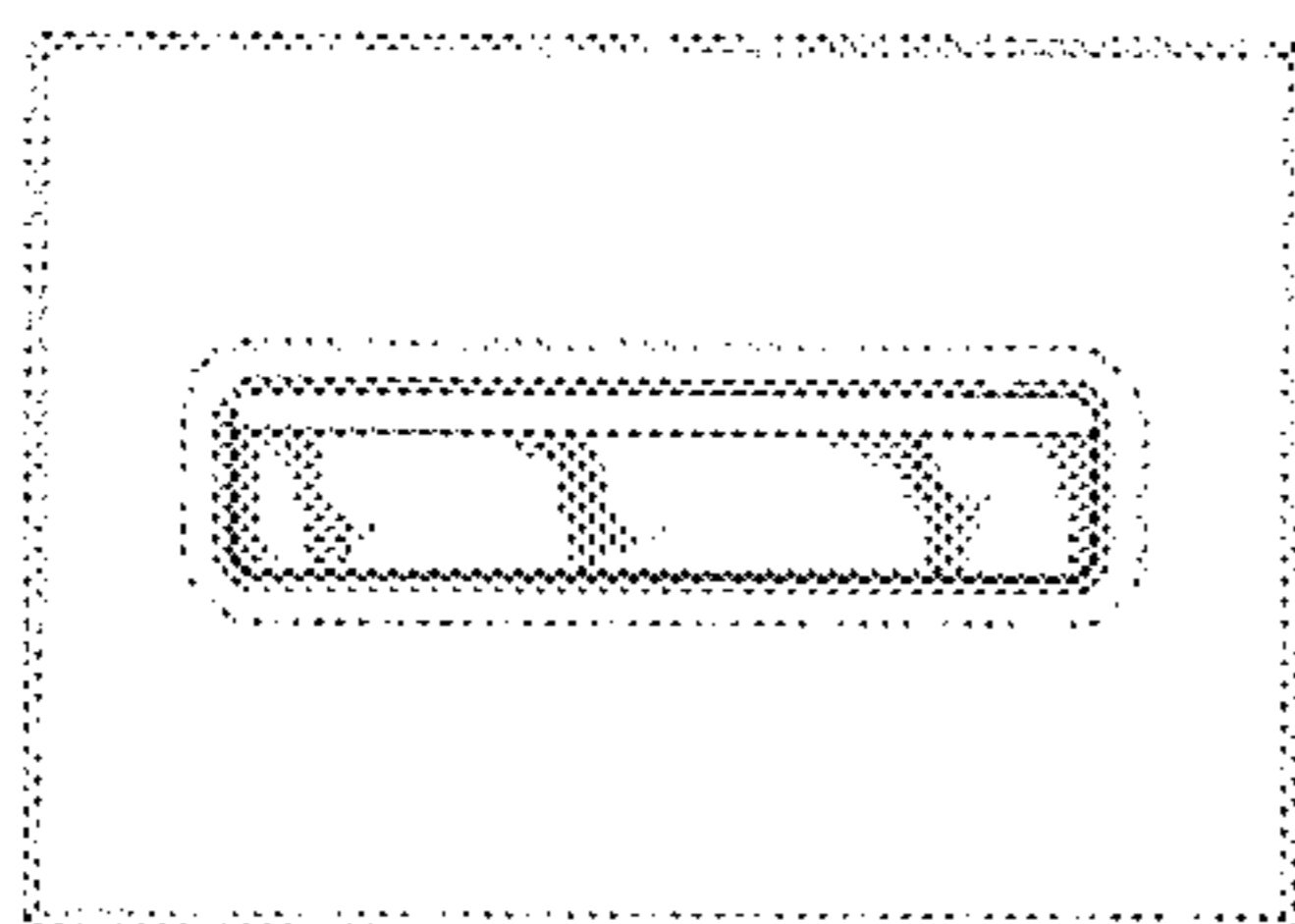
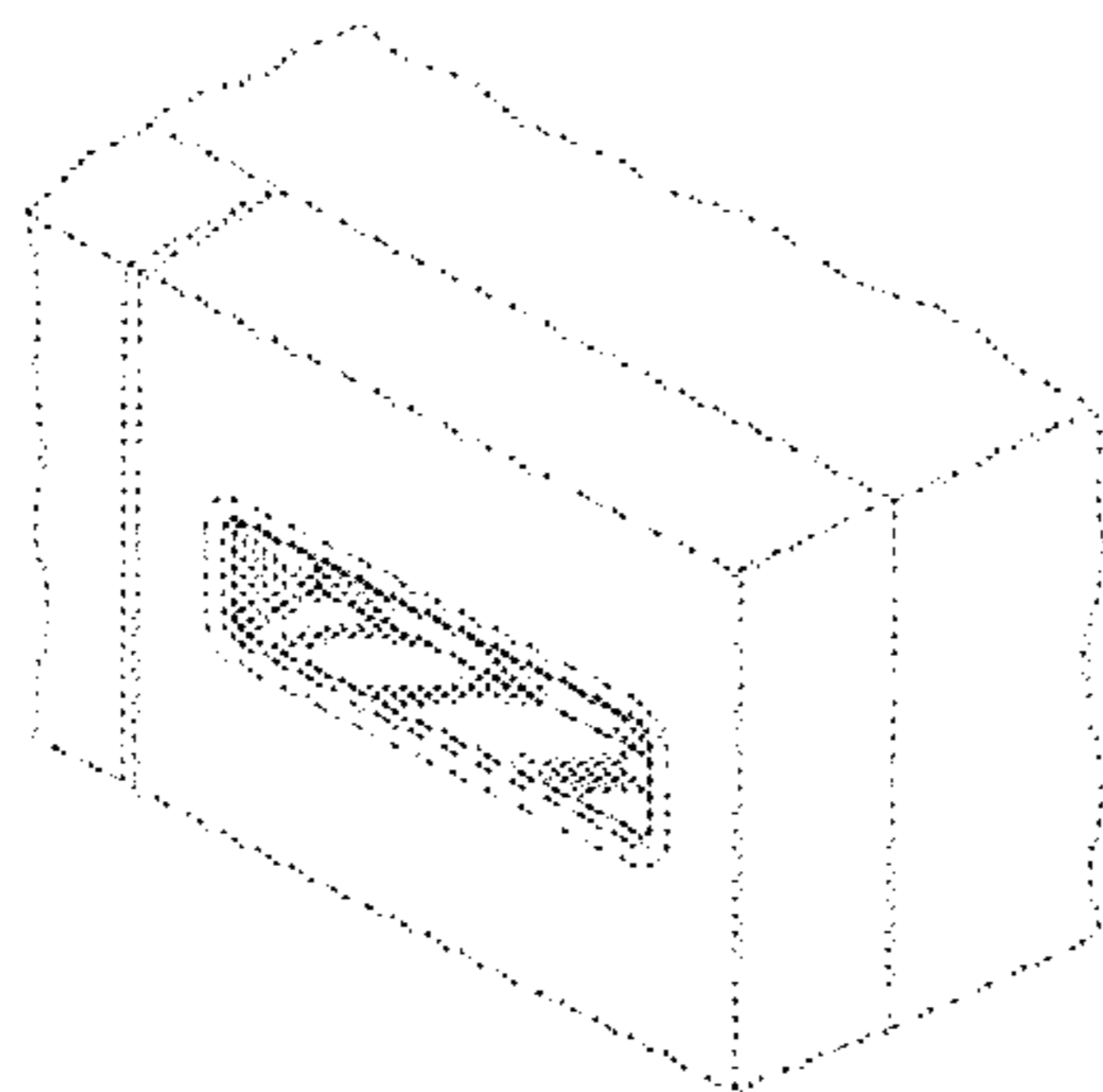
FIG. 3 is another front perspective view of the design for the computer module having a handle as illustrated in FIGS. 1 and 2, further illustrating the upper interior slot or open portion in the recessed portion of the handle;

FIG. 4 is a front view of the design for the computer module having a handle as illustrated in FIGS. 1–3, illustrating a plurality of computer modules having the handle in context of the computer or server; and,

FIG. 5 is a front perspective view of the design for the computer module having a handle as illustrated in FIGS. 1–3, illustrating the plurality of computer modules having the handle in context of the computer or server as illustrated in FIG. 4.

In these drawings, the solid lines illustrate the claimed ornamental design, whereas the broken lines illustrate environmental features that form no part of the claimed ornamental design.

1 Claim, 4 Drawing Sheets



U.S. PATENT DOCUMENTS

D246,711 S *	12/1977	Kneale	D14/308	D470,486 S	2/2003	Cheng	
D265,651 S *	8/1982	Brion	D14/126	D473,197 S	4/2003	Bovell	
D284,964 S *	8/1986	Higashihara et al.	D14/126	6,556,437 B1	4/2003	Hardin	
D298,323 S *	11/1988	Ariyoshi et al.	D14/126	D474,186 S	5/2003	Frank et al.	
D299,233 S *	1/1989	Maki et al.	D14/126	6,579,062 B2	6/2003	Lu et al.	
D303,922 S *	10/1989	Russell et al.	D8/321	D476,631 S	7/2003	Frank et al.	
D308,368 S *	6/1990	Mikami	D14/126	6,587,342 B1	7/2003	Hsu	
D308,370 S *	6/1990	Shiraki	D14/126	6,592,327 B2	7/2003	Chen et al.	
D308,671 S	6/1990	Aderman et al.		6,592,400 B2	7/2003	Shy et al.	
4,941,841 A	7/1990	Darden et al.		6,603,657 B2	8/2003	Tanzer et al.	
D335,664 S *	5/1993	Morita et al.	D14/126	6,604,916 B2	8/2003	Lu et al.	
D338,662 S	8/1993	Sharp		6,616,525 B1	9/2003	Giraldo et al.	
D342,496 S *	12/1993	Higashibata et al.	D14/126	D481,393 S	10/2003	Alo et al.	
D342,500 S *	12/1993	Wada et al.	D14/126	D481,394 S	10/2003	Kuehn et al.	
D342,502 S *	12/1993	Fukatsu et al.	D14/126	6,661,651 B1	12/2003	Tanzer et al.	
D348,051 S	6/1994	Noble		D485,278 S	1/2004	Wang et al.	
D362,433 S	9/1995	Chen		6,711,013 B2	3/2004	Wobig et al.	
D374,005 S *	9/1996	Shimose et al.	D14/129	6,714,411 B2	3/2004	Thompson et al.	
D399,193 S	10/1998	Chang		D491,570 S	6/2004	Fan et al.	
D401,569 S	11/1998	Massaro		6,749,398 B2	6/2004	Lu et al.	
D409,592 S	5/1999	Prestigomo		6,795,314 B1	9/2004	Arbogast et al.	
D409,593 S	5/1999	Prestigomo		D497,615 S *	10/2004	Kim	D14/349
D410,912 S	6/1999	Bloch et al.		6,891,723 B1	5/2005	Lin et al.	
6,000,769 A	12/1999	Chen		6,896,611 B2	5/2005	Giraldo et al.	
D419,147 S	1/2000	Tanzer et al.		D506,201 S	6/2005	McClelland, II et al.	
D420,652 S *	2/2000	Izaki	D14/434	D507,000 S	7/2005	Wang	
6,052,278 A	4/2000	Tanzer et al.		D510,349 S *	10/2005	Kumano	D14/349
D424,528 S *	5/2000	Dernehl	D13/184	D514,109 S	1/2006	McClelland, II et al.	
D428,014 S	7/2000	Bostedt et al.		D514,113 S	1/2006	McClelland, II et al.	
6,088,221 A	7/2000	Bologna		D517,560 S	3/2006	Wang et al.	
D431,245 S	9/2000	Searby et al.		7,009,841 B2	3/2006	Chen et al.	
D434,395 S	11/2000	Mazzetti et al.		D518,827 S	4/2006	McClelland, II et al.	
6,154,361 A	11/2000	Anderson et al.		D524,309 S *	7/2006	Zhang et al.	D14/349
D442,151 S	5/2001	Mazzetti et al.		D533,870 S *	12/2006	Kumano	D14/349
6,247,944 B1	6/2001	Bologna et al.		D540,329 S *	4/2007	Wang et al.	D14/445
D447,483 S	9/2001	Wu		D540,806 S *	4/2007	Wang et al.	D14/445
6,302,714 B1	10/2001	Bologna et al.		D541,285 S *	4/2007	Wang et al.	D14/445
D454,881 S	3/2002	Daniels et al.		D541,286 S *	4/2007	McClelland, II et al. ...	D14/445
D455,152 S	4/2002	Caughlan et al.		D543,970 S *	6/2007	Griffin	D14/217
D455,153 S	4/2002	Gant et al.		D544,866 S *	6/2007	Wang et al.	D14/438
D455,154 S	4/2002	Daniels et al.		D551,620 S *	9/2007	McClelland, II	D13/110
D455,752 S	4/2002	Wang et al.		D555,149 S *	11/2007	Griffin	D14/217
D455,753 S	4/2002	Daniels et al.		D558,264 S *	12/2007	Smith et al.	D18/55
D455,754 S	4/2002	Gant et al.		D570,981 S *	6/2008	McClelland	D23/370
6,392,893 B1	5/2002	Carney et al.		2005/0254210 A1	11/2005	Grady et al.	
D458,924 S	6/2002	Gant et al.					
D460,457 S	7/2002	Caughlan et al.					
D461,807 S	8/2002	Kuehn et al.					
D461,816 S	8/2002	Caughlan et al.					
D462,075 S	8/2002	Hillyard et al.					
6,435,889 B1	8/2002	Vinson et al.					
6,442,021 B1	8/2002	Bologna et al.					
D464,056 S	10/2002	Skandalis					
6,473,300 B1	10/2002	Youngquist et al.					

OTHER PUBLICATIONS

U.S. Appl. No. 29/235,638, filed Aug. 3, 2005, McClelland.
 U.S. Appl. No. 29/235,639, filed Aug. 3, 2005, Wang et al.
 U.S. Appl. No. 29/235,641, filed Aug. 3, 2005, Wang et al.
 U.S. Appl. No. 29/235,642, filed Aug. 3, 2005, Wang et al.
 U.S. Appl. No. 29/235,645, filed Aug. 3, 2005, Wang et al.
 U.S. Appl. No. 29/258,894, filed Apr. 28, 2006, McClelland.

* cited by examiner

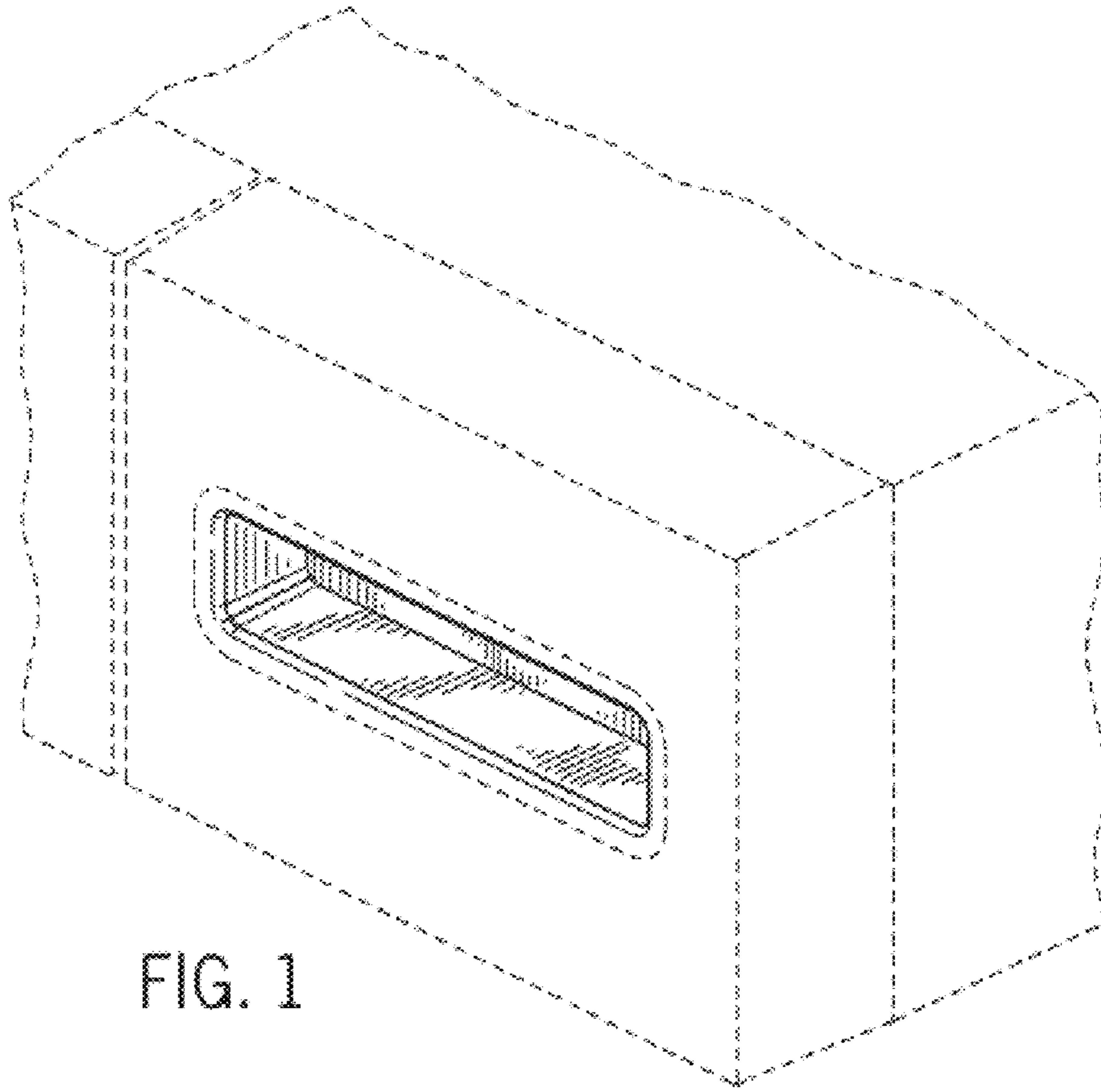


FIG. 1

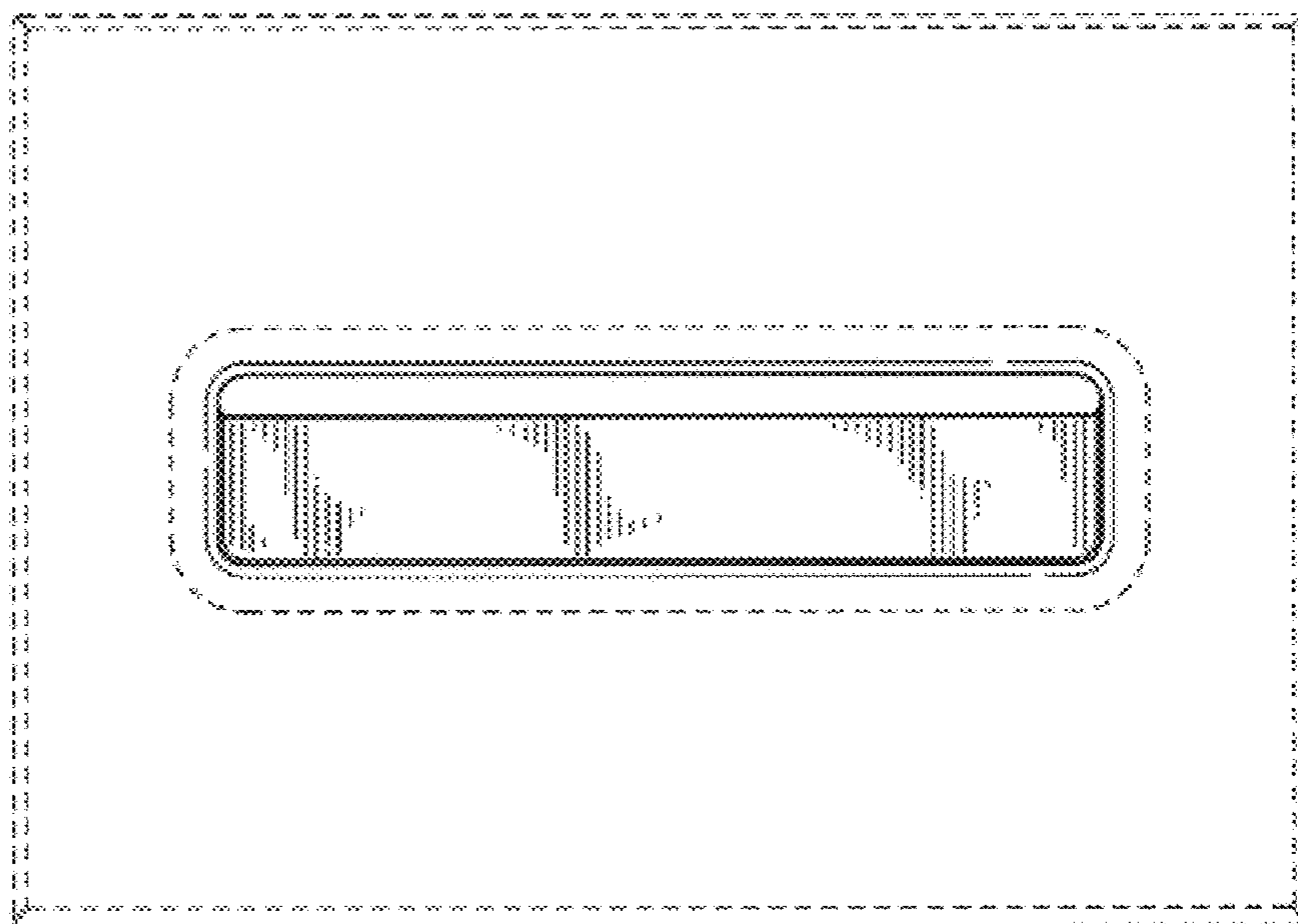


FIG. 2

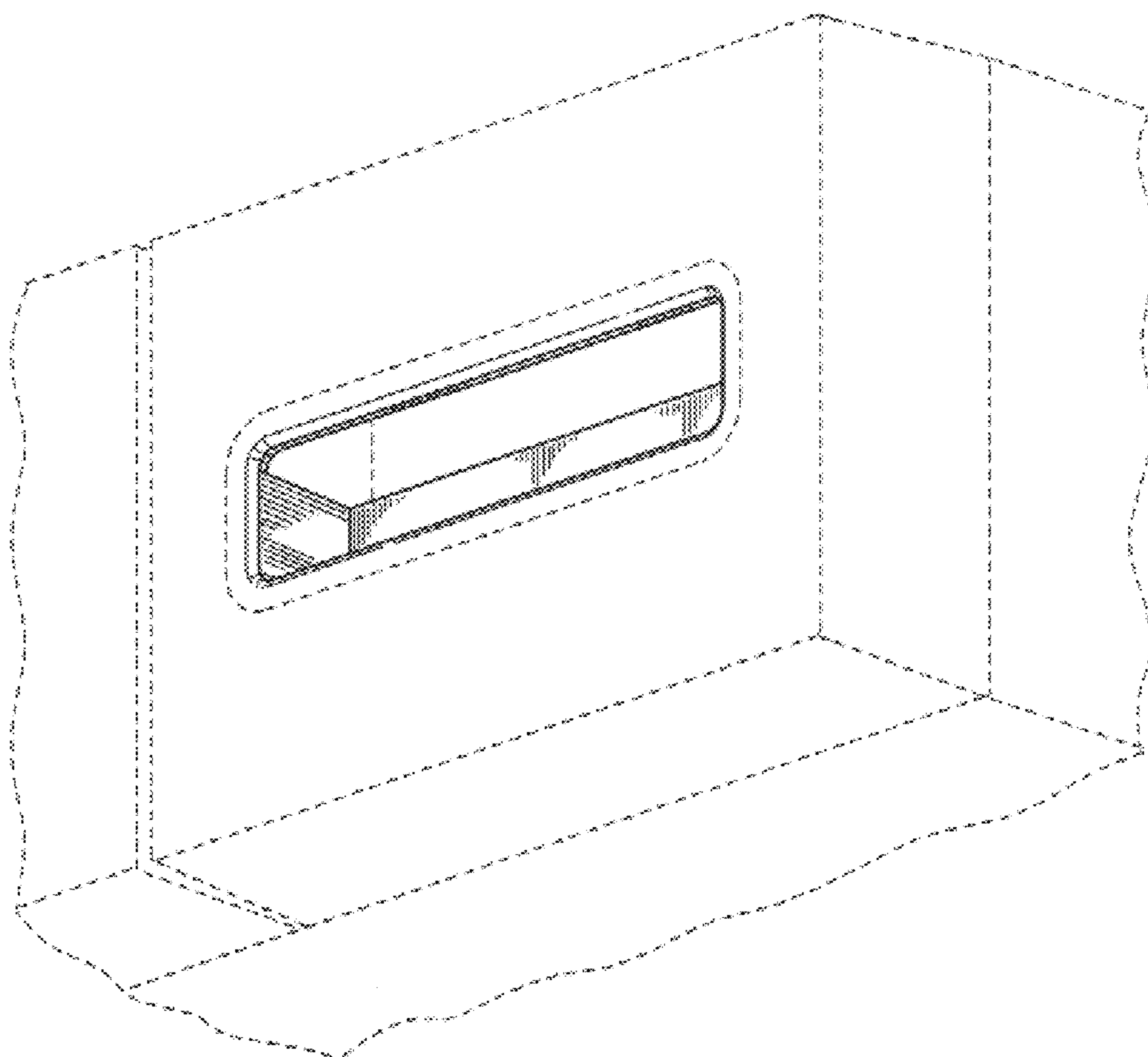


FIG. 3

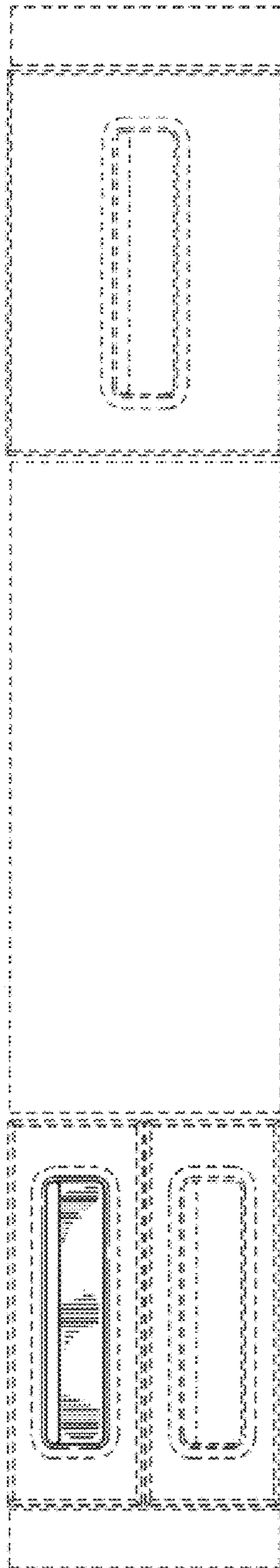


FIG. 4

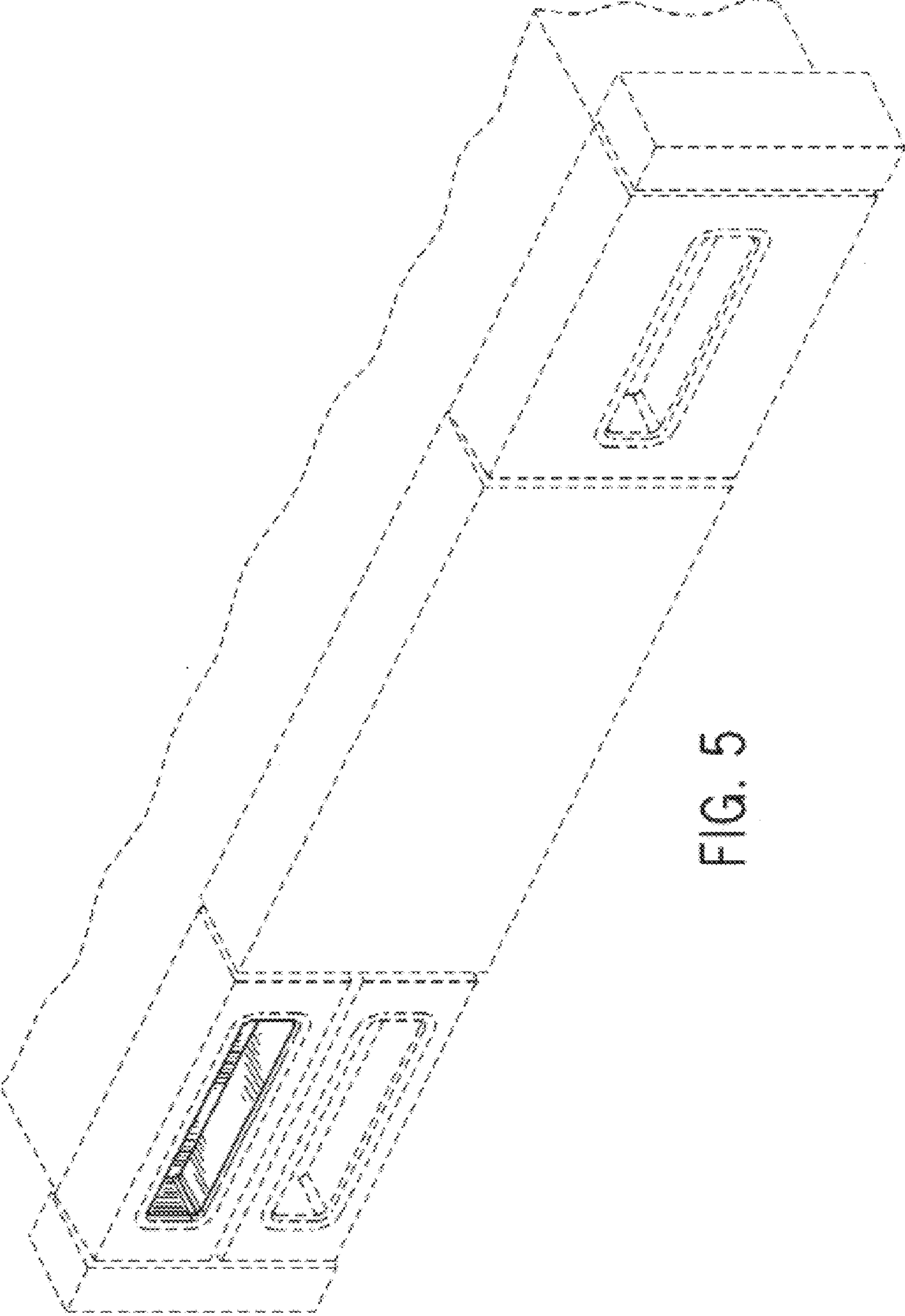


FIG. 5