



US00D577019S

(12) **United States Design Patent**  
**Udagawa et al.**

(10) **Patent No.:** **US D577,019 S**  
(45) **Date of Patent:** **\*\* Sep. 16, 2008**

(54) **WIRELESS ADAPTER**

(75) Inventors: **Masamichi Udagawa**, New York, NY  
(US); **Sigrid Moeslinger**, New York, NY  
(US)

(73) Assignee: **Microsoft Corporation**, Redmond, WA  
(US)

(\*\*) Term: **14 Years**

(21) Appl. No.: **29/247,553**

(22) Filed: **Jun. 26, 2006**

(51) **LOC (8) Cl.** ..... **14-02**

(52) **U.S. Cl.** ..... **D14/358**

(58) **Field of Classification Search** ..... D14/411,  
D14/384-385, 518, 348, 432-436, 299, 167,  
D14/402, 242, 356, 358, 496, 156, 240; 455/344;  
710/300-301; 361/684-686; 439/518, 139-141,  
439/131, 607, 133; 365/63

See application file for complete search history.

(56) **References Cited**

**U.S. PATENT DOCUMENTS**

D296,440	S	*	6/1988	Smith et al.	.....	D14/432
D364,396	S	*	11/1995	Starec et al.	.....	D14/435
D463,426	S	*	9/2002	Cheng	.....	D14/356
D470,499	S	*	2/2003	Salazar et al.	.....	D14/436
D475,996	S	*	6/2003	Skulley	.....	D14/240
6,743,030	B2	*	6/2004	Lin et al.	.....	439/131
6,804,749	B2	*	10/2004	Chien et al.	.....	711/115
D501,485	S	*	2/2005	Lian et al.	.....	D14/496
D530,340	S	*	10/2006	Andre et al.	.....	D14/496

7,214,075	B2	*	5/2007	He et al.	.....	439/135
D545,837	S	*	7/2007	Haldimann et al.	.....	D14/491
7,275,941	B1	*	10/2007	Bushby	.....	439/133
D555,158	S	*	11/2007	Lo	.....	D14/356

**OTHER PUBLICATIONS**

USB—SlashGear, p. 4 [online] Feb. 11, 2007 [retrieved on Nov. 14, 2007]. Retrieved from the Internet <URL: <http://www.slashgear.com/tags/USB/page/14>>.\*

\* cited by examiner

*Primary Examiner*—Robin V. Webster

*Assistant Examiner*—Karen E Kearney

(74) *Attorney, Agent, or Firm*—Banner & Witcoff, Ltd.

(57) **CLAIM**

The ornamental design for a wireless adapter, as shown and described.

**DESCRIPTION**

FIG. 1 is a perspective view of a wireless adapter showing our new design;

FIG. 2 is a top view thereof;

FIG. 3 is a bottom view thereof;

FIG. 4 is a left side view thereof;

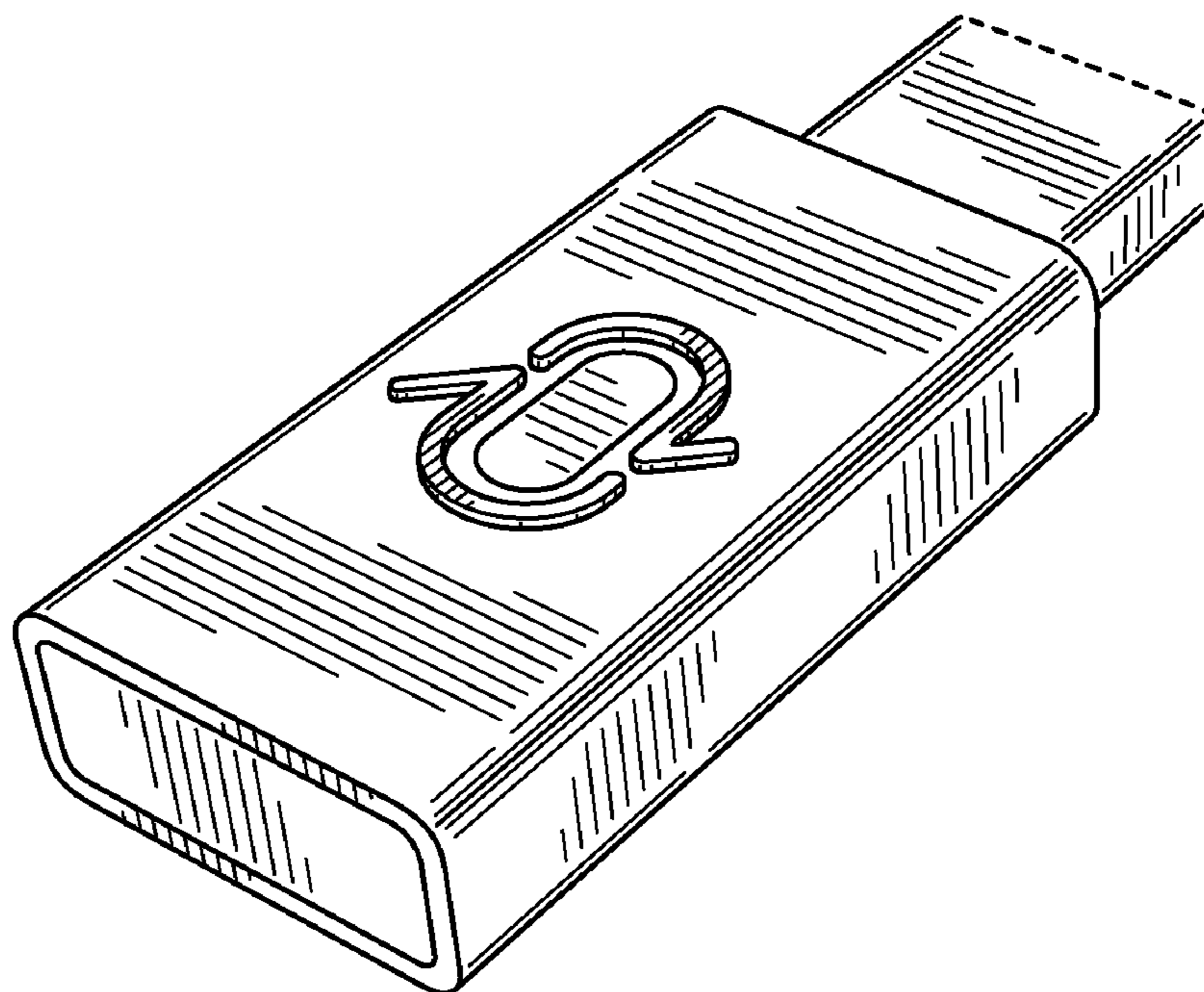
FIG. 5 is a right side thereof;

FIG. 6 is a front view thereof; and,

FIG. 7 is a rear view thereof.

The broken line showing of the edge and the interior of the connector is for the purpose of illustrating unclaimed portions and forms no part of the claimed design.

**1 Claim, 2 Drawing Sheets**



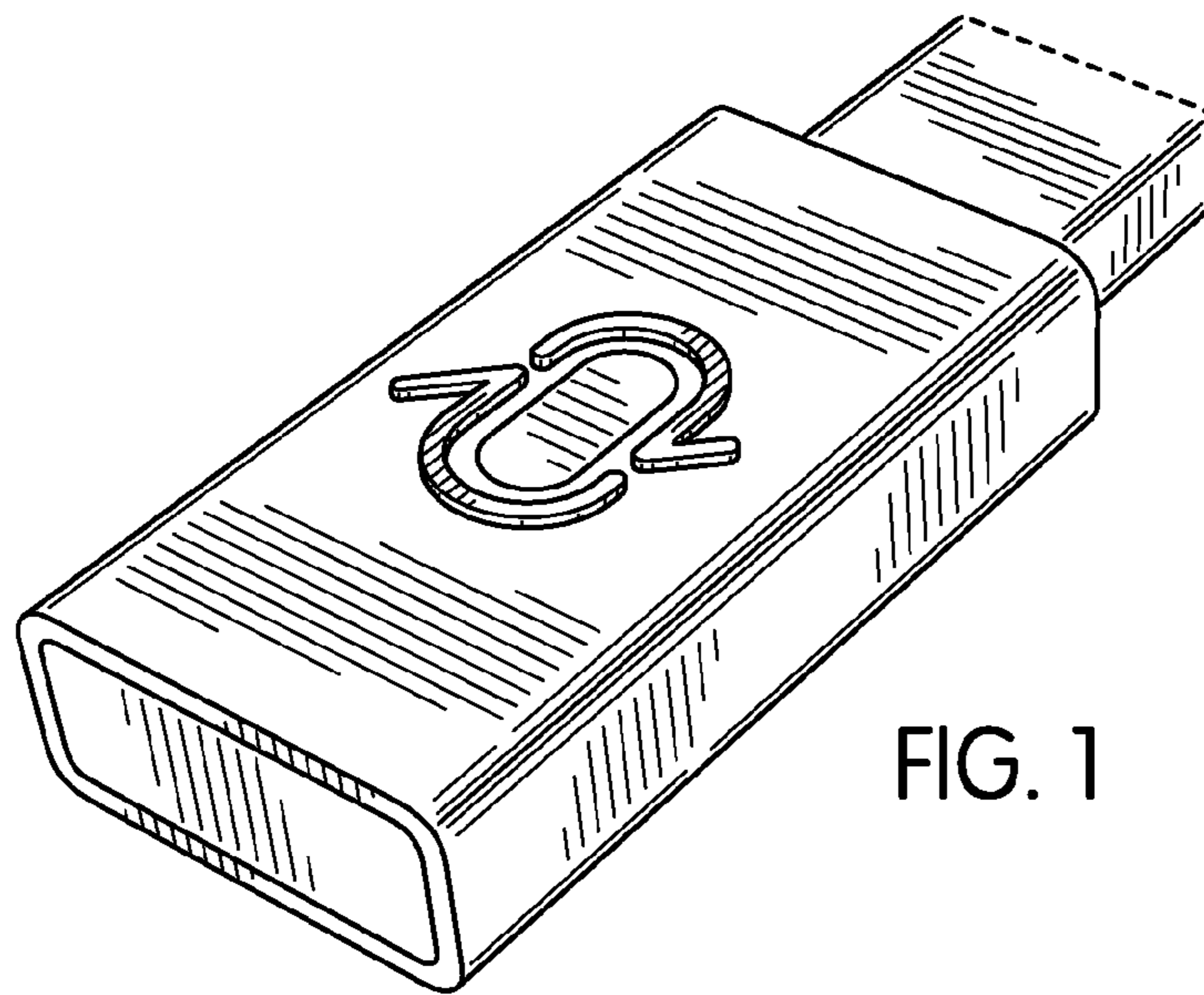


FIG. 1

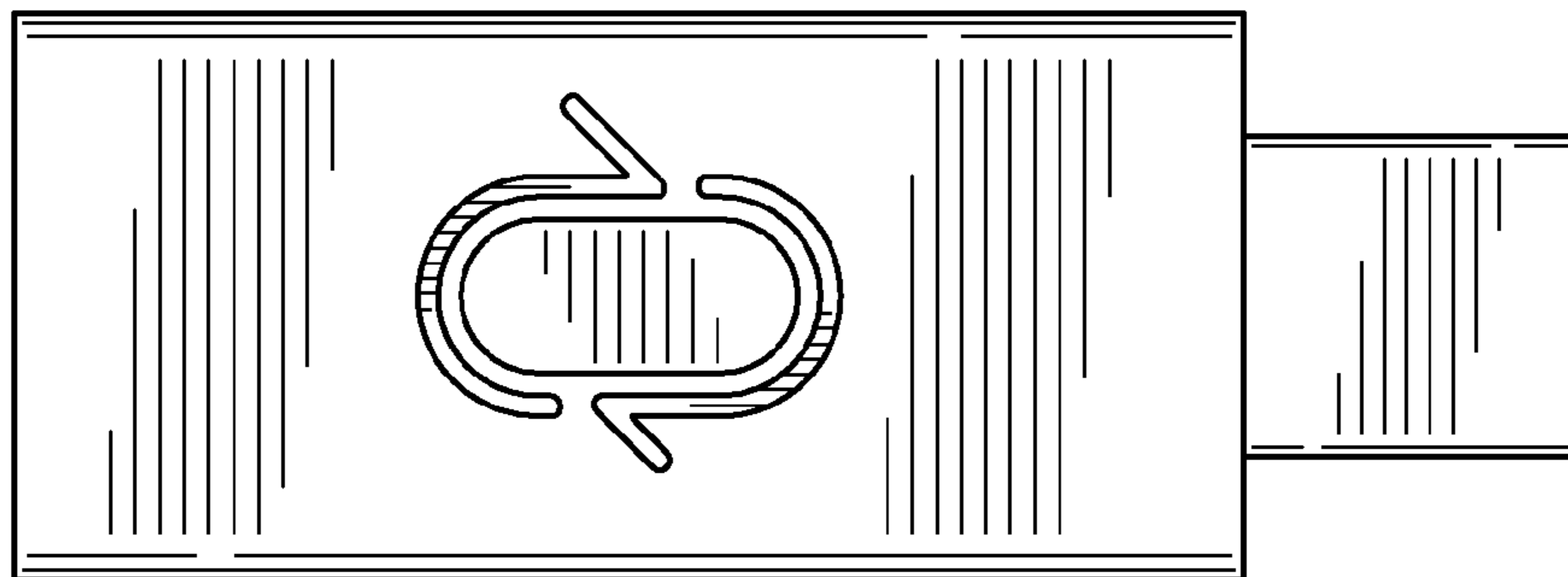


FIG. 2

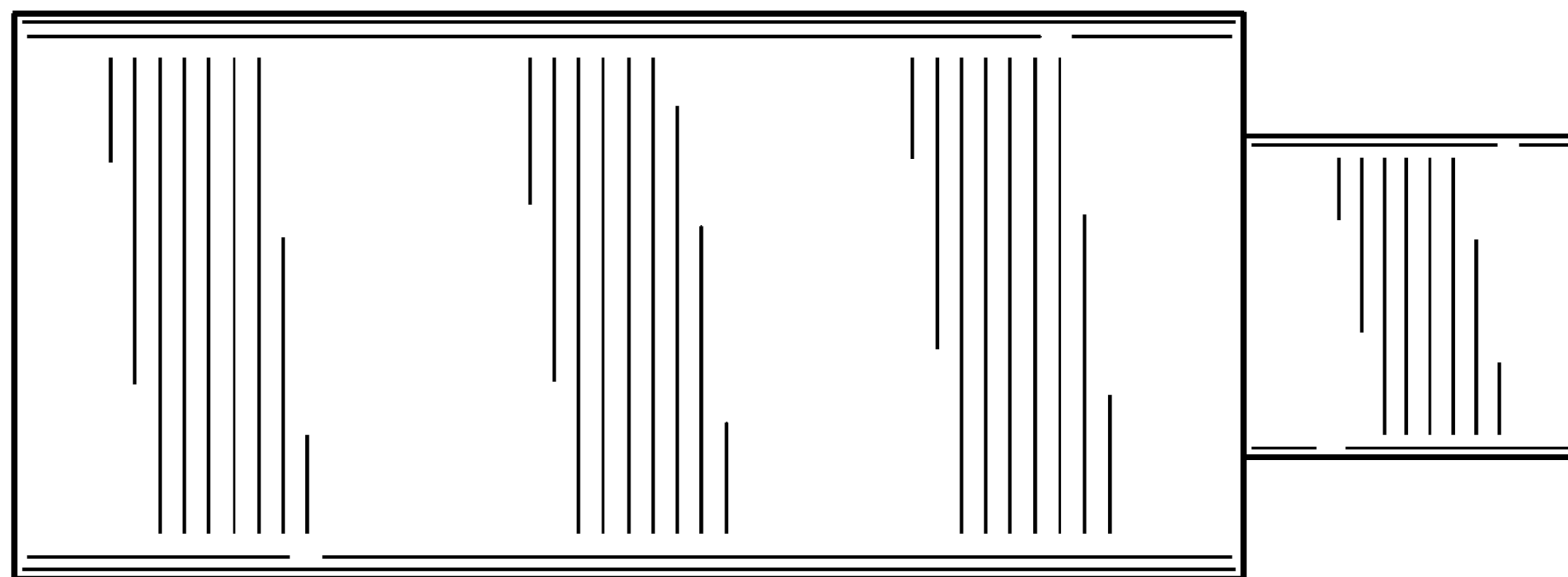


FIG. 3

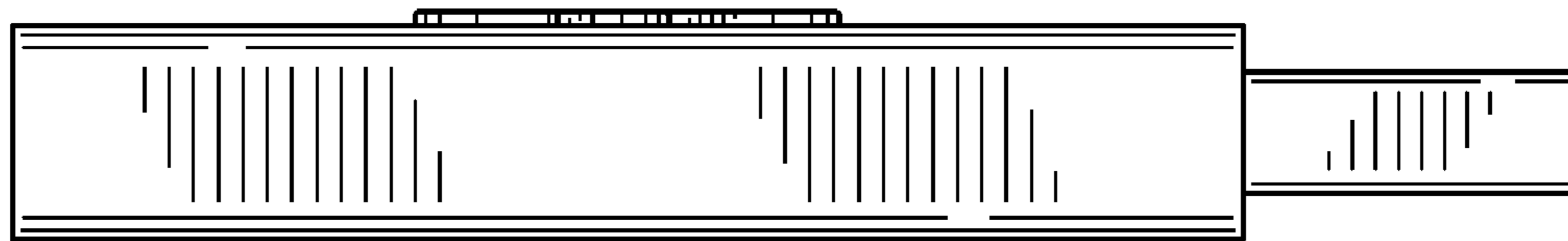


FIG. 4

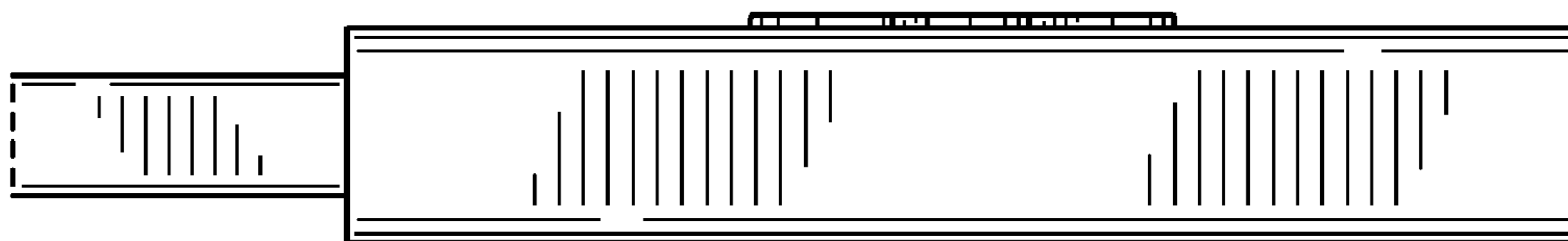


FIG. 5

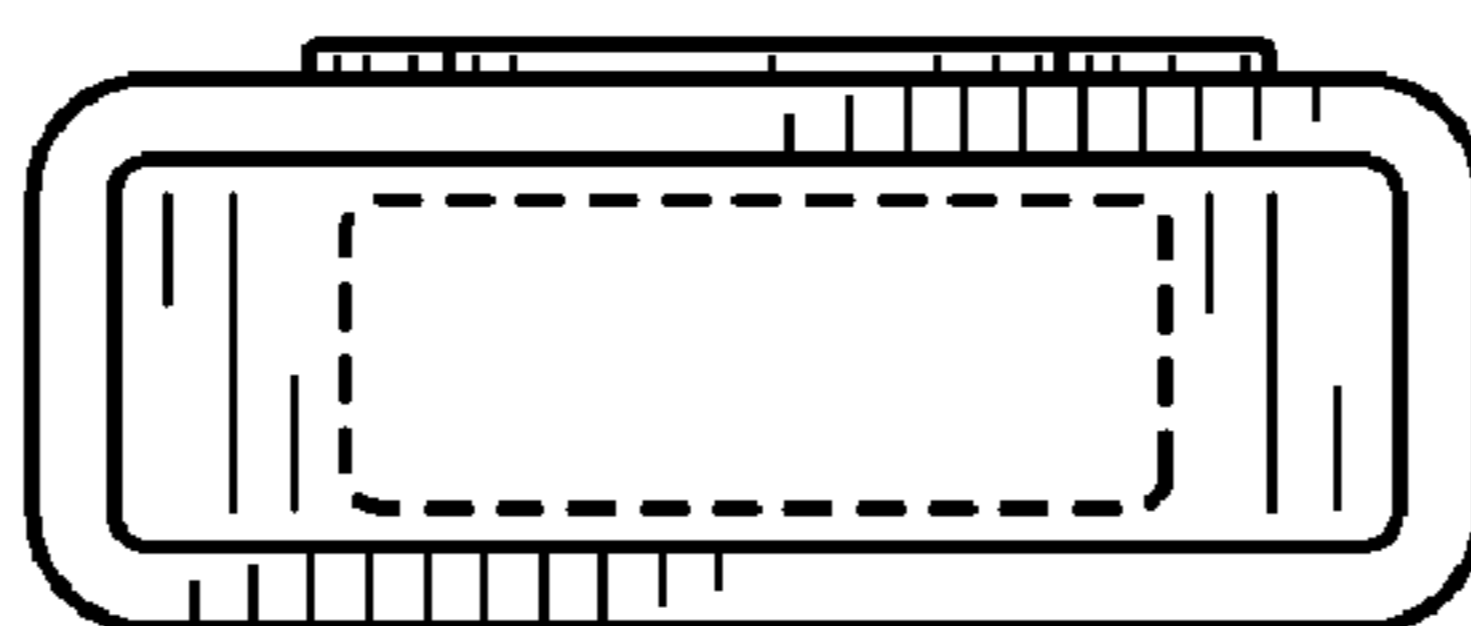


FIG. 6

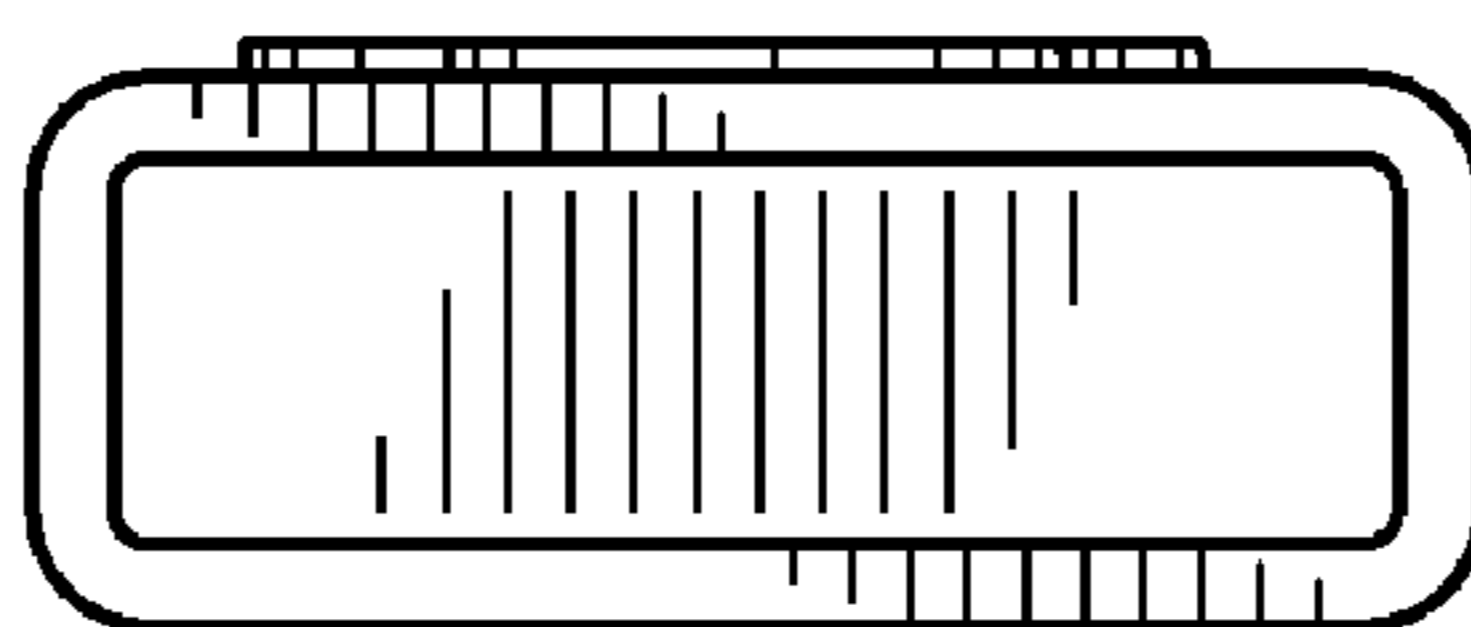


FIG. 7