



US00D577016S

(12) **United States Design Patent**
Hofer et al.

(10) **Patent No.:** **US D577,016 S**
(45) **Date of Patent:** **** Sep. 16, 2008**

(54) **HANDHELD DEVICE**

(75) Inventors: **Joseph Hofer**, Kitchener (CA); **Jason T. Griffin**, Kitchener (CA); **Norman M. Ladouceur**, Waterloo (CA); **Todd Andrew Wood**, Guelph (CA)

(73) Assignee: **Research In Motion Limited**, Waterloo, Ontario (CA)

(**) Term: **14 Years**

(21) Appl. No.: **29/278,924**

(22) Filed: **Apr. 13, 2007**

(51) **LOC (8) Cl.** **14-02**

(52) **U.S. Cl.** **D14/341**

(58) **Field of Classification Search** D14/341, D14/342, 343, 344, 345, 346, 347, 420, 426, D14/427, 432, 439, 440, 441, 448, 496, 125, D14/137, 129, 130, 138, 250, 389, 147, 218, D14/247, 248, 156; D10/65, 78, 104, 46; D13/168; D18/6, 7; D21/329, 686; D6/596, D6/601, 605; 455/90.3, 556.1, 556.2, 575.1, 455/575.3, 575.4; 379/433.01, 433.04, 433.06, 379/433.07; 361/814; 341/22; 345/169, 345/173

See application file for complete search history.

(56) **References Cited**

U.S. PATENT DOCUMENTS

D493,778	S	*	8/2004	Walliser et al.	D14/138
D496,343	S	*	9/2004	Lin et al.	D14/138
D550,641	S	*	9/2007	Wang	D14/138
D554,611	S	*	11/2007	Cho et al.	D14/138
D556,749	S	*	12/2007	Rak et al.	D14/346
D560,642	S	*	1/2008	Yun et al.	D14/138
D560,645	S	*	1/2008	Park	D14/138

D560,646	S	*	1/2008	Yun et al.	D14/138
D560,647	S	*	1/2008	Choi et al.	D14/138
D562,299	S	*	2/2008	Wang et al.	D14/138
D562,313	S	*	2/2008	Tan et al.	D14/248
D562,314	S	*	2/2008	Han et al.	D14/248
D570,832	S	*	6/2008	Ruohonen	D14/247
D570,839	S	*	6/2008	Hofer et al.	D14/341
2007/0275771	A1	*	11/2007	Lee et al.	455/575.1
2008/0039156	A1	*	2/2008	Lee et al.	455/575.1

* cited by examiner

Primary Examiner—Cathron Brooks

Assistant Examiner—Barbara Fox

(74) *Attorney, Agent, or Firm*—Brij K. Agarwal; Eckert Seamans Cherin & Mellott, LLC

(57) **CLAIM**

The ornamental design for a handheld device, as shown and described.

DESCRIPTION

FIG. 1 is a front elevational view of a handheld device depicting our new design;

FIG. 2 is a left side elevational view thereof;

FIG. 3 is a right side elevational view thereof;

FIG. 4 is a top plan view thereof;

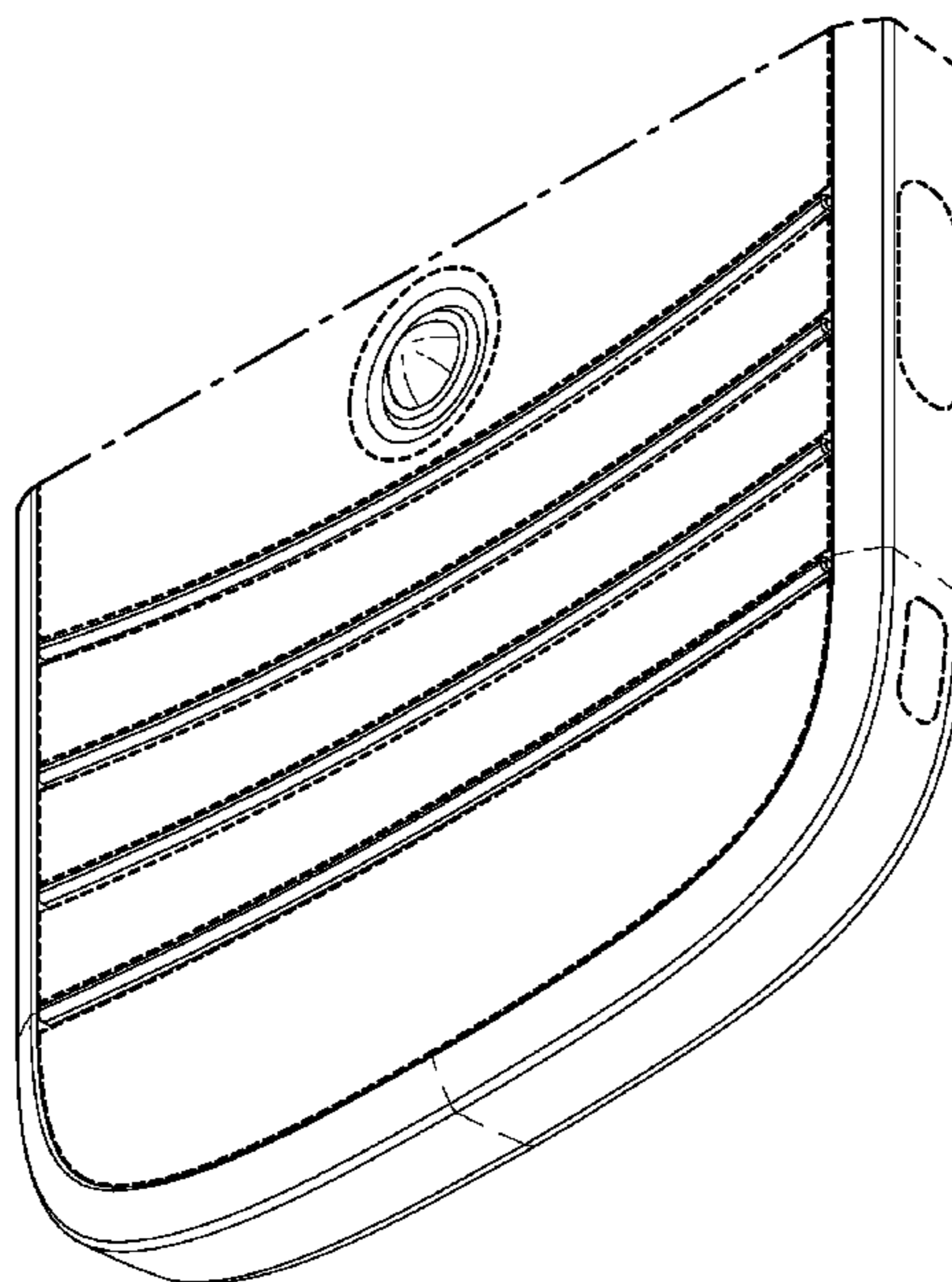
FIG. 5 is a bottom plan view thereof;

FIG. 6 is a rear elevational view thereof; and,

FIG. 7 is a perspective view thereof.

The short-short dashed lines throughout the drawings represent boundary lines; the long-short dashed lines making the uppermost edge of the handheld device represent the upper boundary of the design. All broken lines form no part of the claimed design.

1 Claim, 5 Drawing Sheets



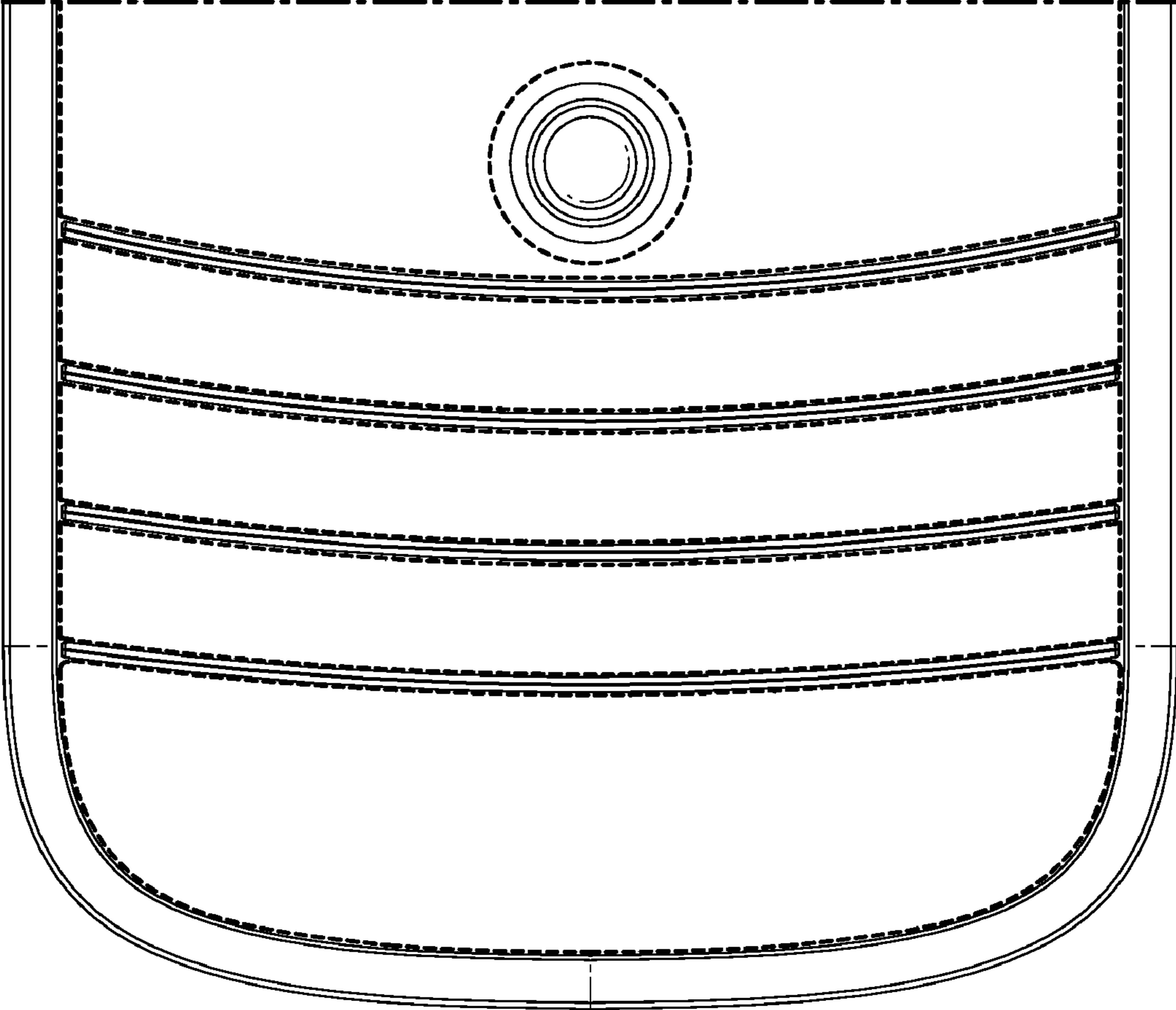


FIG. 1

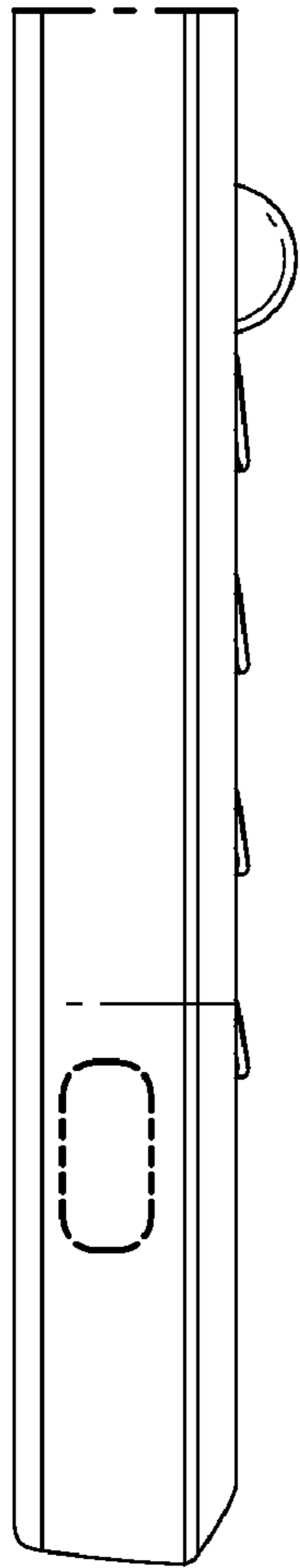


FIG. 2

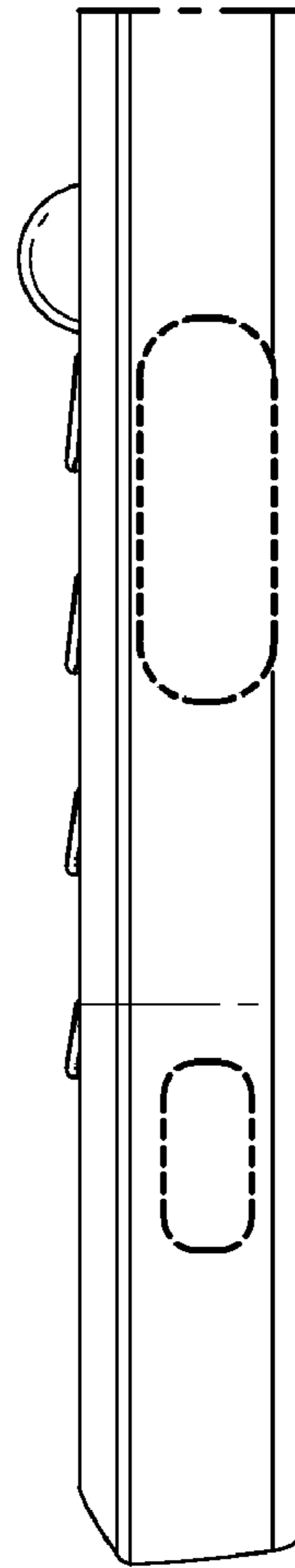


FIG. 3

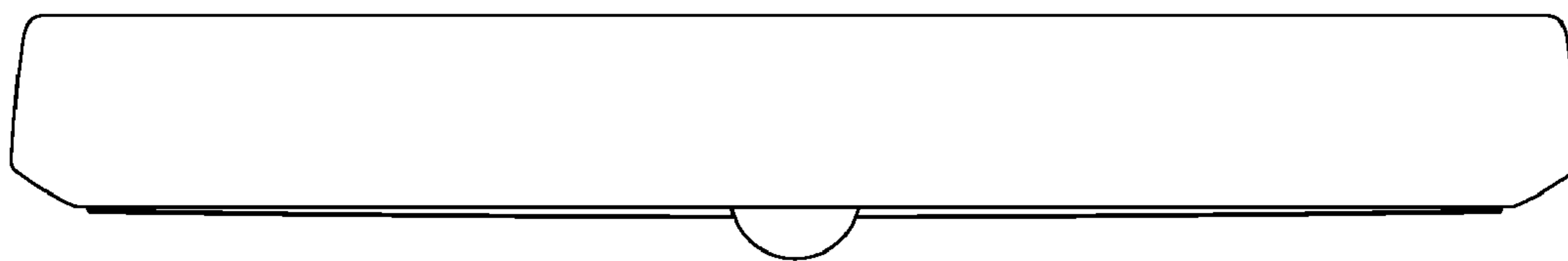


FIG. 4

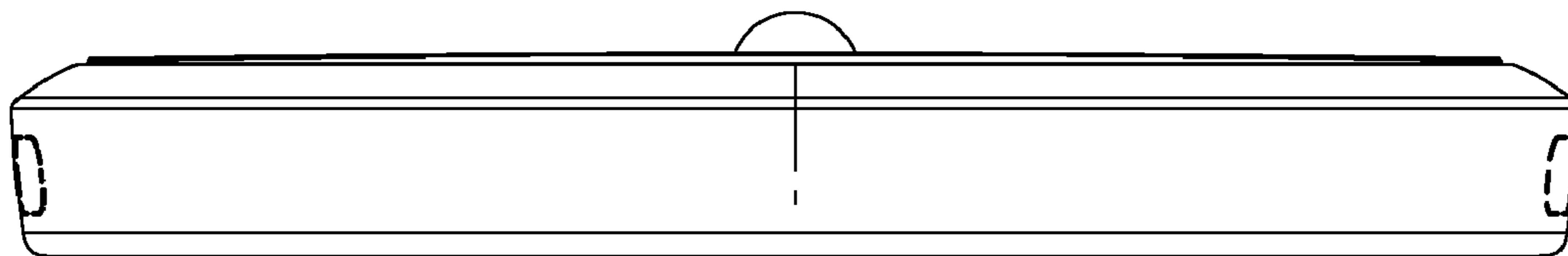


FIG. 5

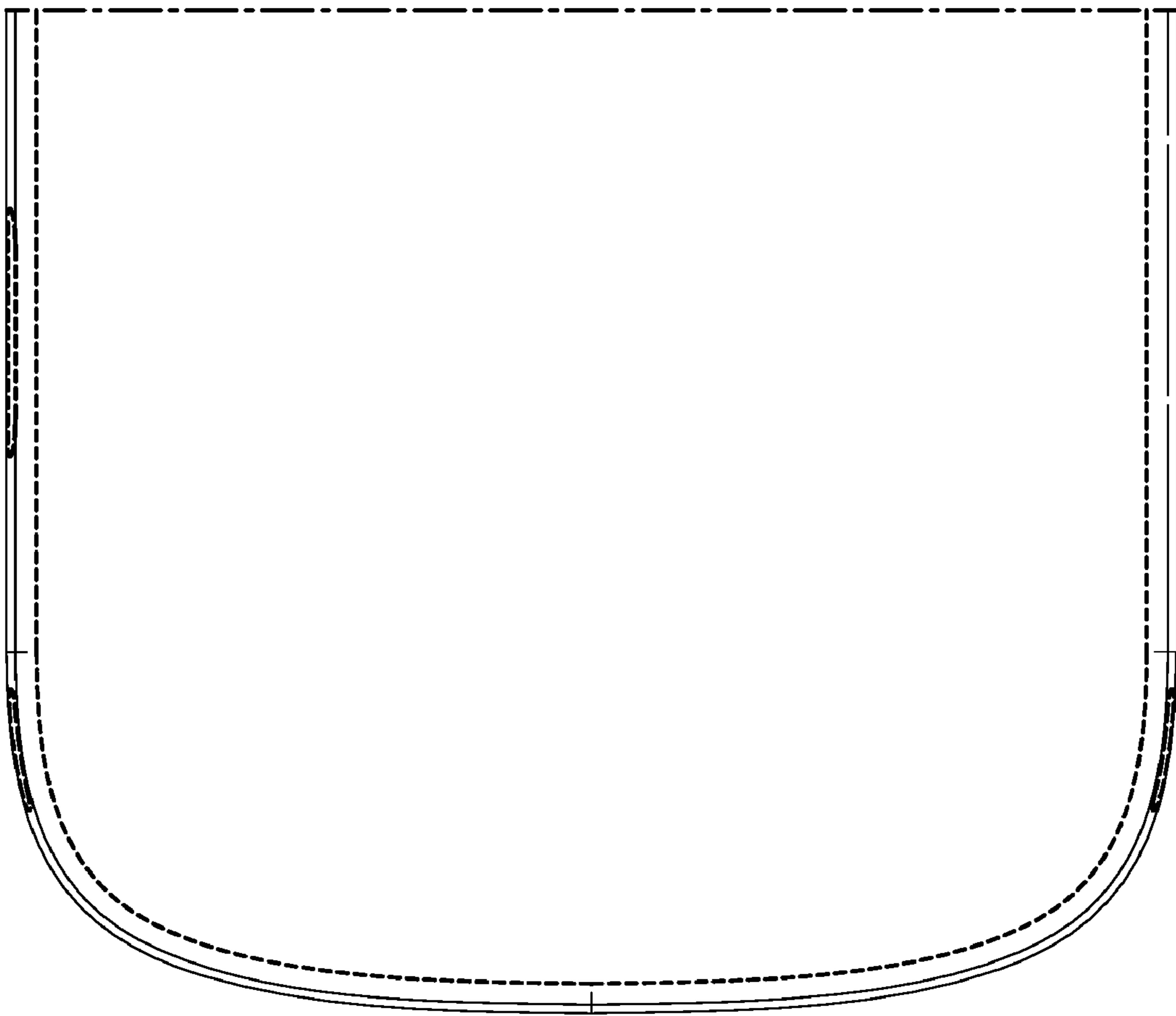


FIG. 6

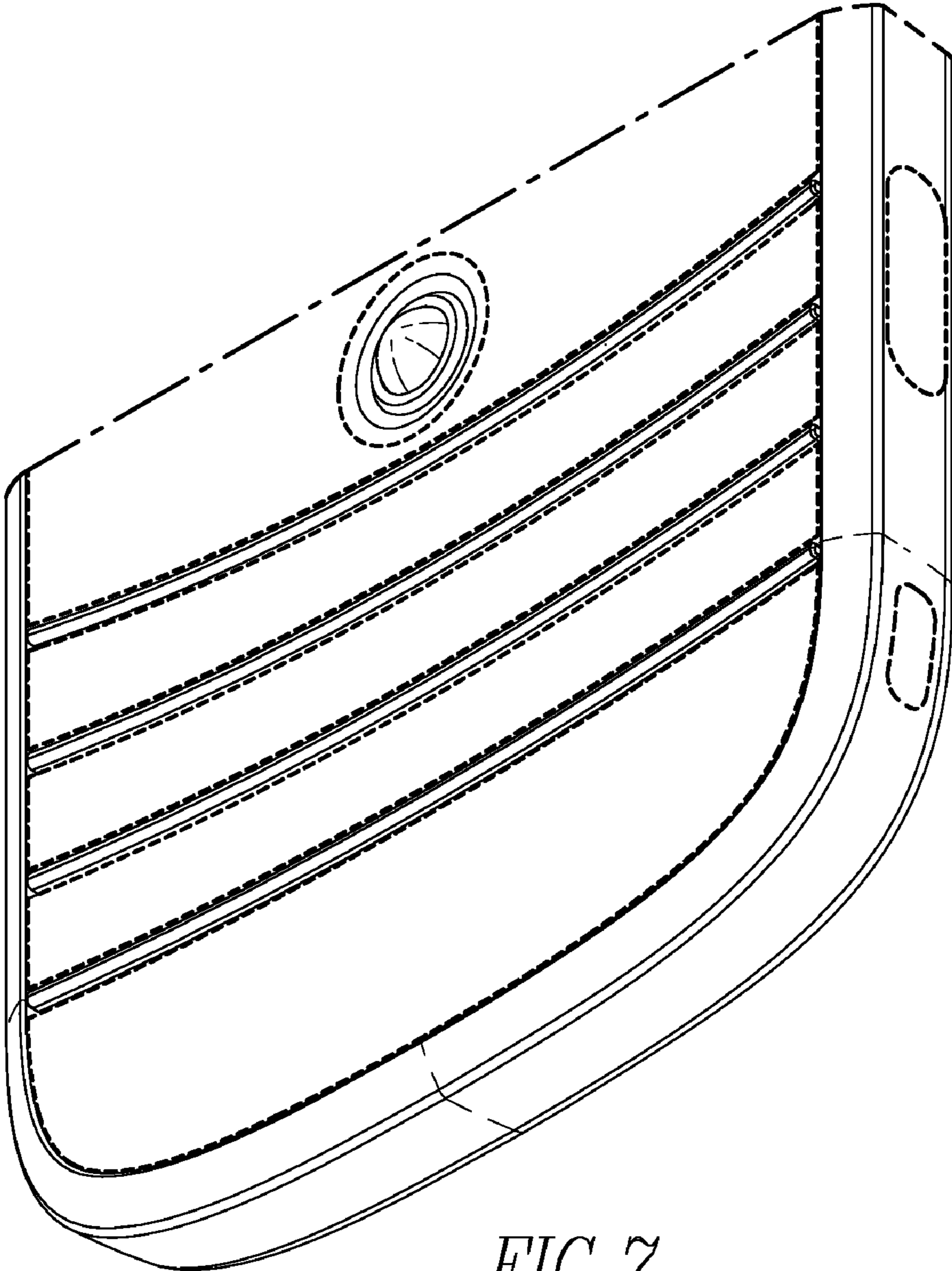


FIG. 7