



US00D577008S

(12) **United States Design Patent**  
**Andre et al.**

(10) **Patent No.:** **US D577,008 S**  
(45) **Date of Patent:** **\*\* Sep. 16, 2008**

- (54) **ELECTRONIC DEVICE HOLDER**
- (75) Inventors: **Bartley K. Andre**, Menlo Park, CA (US); **Daniel J. Coster**, San Francisco, CA (US); **Daniele De Iuliis**, San Francisco, CA (US); **Richard P. Howarth**, San Francisco, CA (US); **Jonathan P. Ive**, San Francisco, CA (US); **Duncan Robert Kerr**, San Francisco, CA (US); **Shin Nishibori**, San Francisco, CA (US); **Matthew Dean Rohrbach**, San Francisco, CA (US); **Douglas B. Satzger**, Menlo Park, CA (US); **Calvin Q. Seid**, Palo Alto, CA (US); **Christopher J. Stringer**, Woodside, CA (US); **Eugene Antony Whang**, San Francisco, CA (US); **Rico Zorkendorfer**, San Francisco, CA (US)
- (73) Assignee: **Apple Inc.**, Cupertino, CA (US)
- (\*\*) Term: **14 Years**
- (21) Appl. No.: **29/297,199**
- (22) Filed: **Nov. 6, 2007**

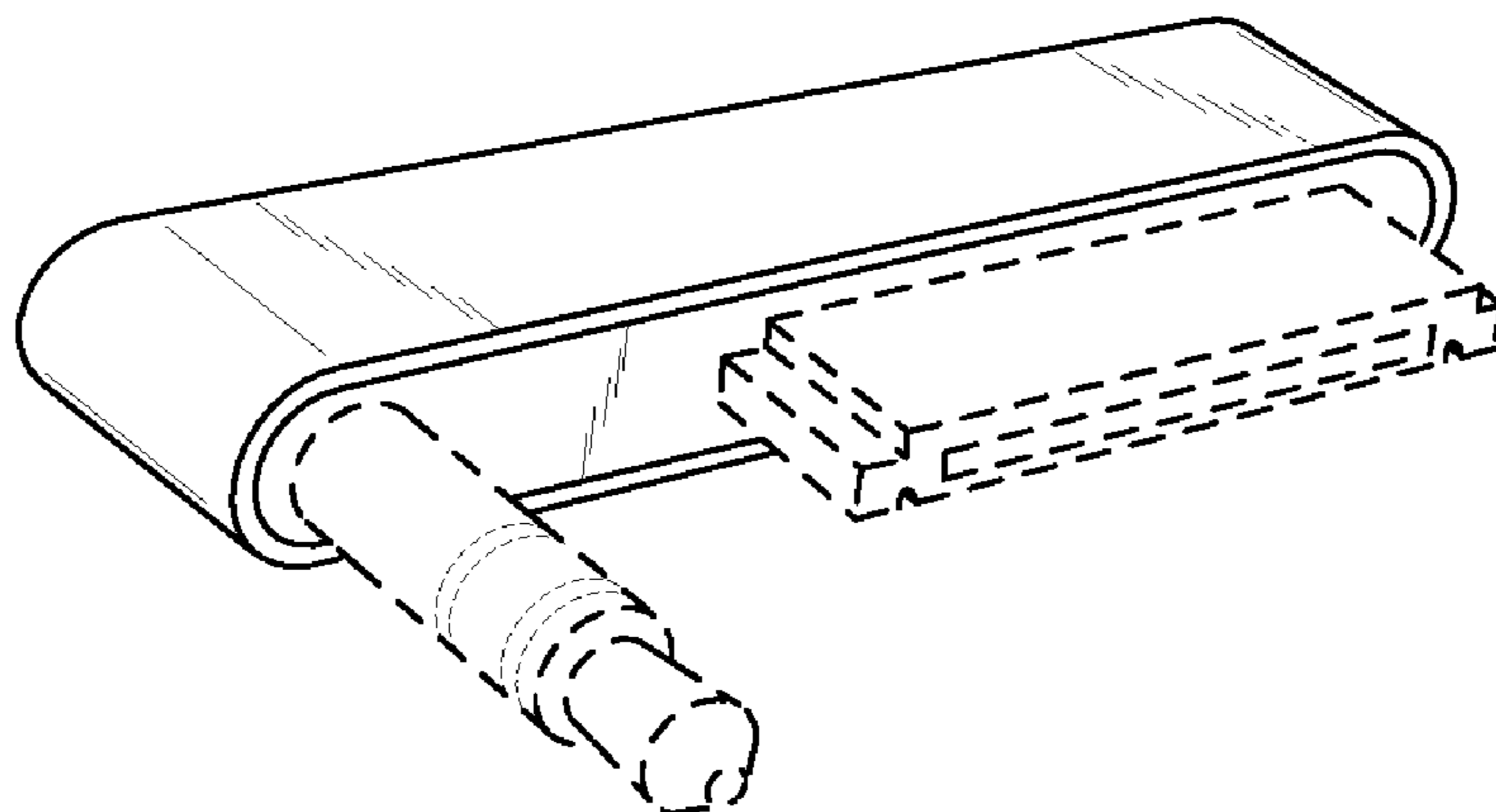
**Related U.S. Application Data**

- (63) Continuation of application No. 29/265,950, filed on Sep. 11, 2006, now Pat. No. Des. 560,166.
- (51) **LOC (8) Cl.** ..... **14-03**
- (52) **U.S. Cl.** ..... **D14/217; D14/223; D13/133; D3/218**
- (58) **Field of Classification Search** ..... **D14/496, D14/474, 137, 138, 168, 432, 204-206, 217, D14/251, 253, 223; D21/324, 333; D3/215, D3/218, 227, 328; 224/929, 930; 273/148 B; 463/46, 47; 361/686, 724, 726, 727; 248/903, 248/312, 311.2; 379/441, 454, 455; D13/133, D13/146, 147, 154, 184; 439/606, 638, 668, 439/669**

See application file for complete search history.

- (56) **References Cited**  
U.S. PATENT DOCUMENTS  
3,532,837 A 10/1970 Dyar et al.

D256,772 S	9/1980	Helgren	
4,406,042 A	9/1983	Mcphee	
4,584,718 A *	4/1986	Fuller .....	455/351
4,649,570 A	3/1987	Terbrack et al.	
D316,550 S	4/1991	Sogabe	
D318,473 S	7/1991	Miyashita et al.	
D318,670 S	7/1991	Taniguchi	
D318,865 S	8/1991	Ichikawa	
D326,655 S	6/1992	Iribe	
D334,043 S	3/1993	Taniguchi et al.	
5,194,987 A	3/1993	Moore et al.	
D338,037 S	8/1993	Miller et al.	
D342,449 S	12/1993	Mattheis	
D372,420 S	8/1996	Mendez	
5,640,459 A	6/1997	Hedeen	
5,666,702 A	9/1997	Ming-Chieh	
5,708,706 A	1/1998	Hughes et al.	
D437,485 S	2/2001	Hicks et al.	
6,392,882 B1	5/2002	Chen et al.	
D460,432 S	7/2002	Brown	
D462,523 S	9/2002	Kalbach	
D462,689 S	9/2002	Moran	
D467,416 S *	12/2002	Kalbach .....	D3/215
6,517,031 B2	2/2003	Uchiyama	
6,550,108 B2	4/2003	Pratl	
D475,850 S	6/2003	Andre et al.	
D476,149 S	6/2003	Andre et al.	
6,616,487 B1	9/2003	Lai	
D481,377 S	10/2003	Eguchi	
6,675,446 B2	1/2004	Buettell	
6,691,382 B1	2/2004	Su	
6,711,785 B1	3/2004	Hicks et al.	
D494,450 S	8/2004	Schultz et al.	
6,772,485 B2 *	8/2004	Alpert .....	24/300
6,776,317 B1	8/2004	Parker	
D500,302 S	12/2004	Deguchi	
D500,485 S	1/2005	Deguchi	
6,871,732 B2	3/2005	Flint et al.	
D507,261 S	7/2005	Griffin	
D509,819 S	9/2005	Yang	
D511,157 S	11/2005	Johnson	
6,991,497 B1	1/2006	Lin	
D514,552 S	2/2006	Lee et al.	
D515,545 S	2/2006	Griffin	
D519,731 S	5/2006	Andre et al.	
D519,928 S	5/2006	Lai	
D519,993 S	5/2006	Montgomery et al.	
7,099,467 B1	8/2006	Rohrbach	
D527,723 S	9/2006	Andre et al.	



D529,044 S	9/2006	Andre et al.
D529,868 S	10/2006	Shimizu
D530,340 S	10/2006	Andre et al.
D530,342 S	10/2006	Lee et al.
D531,619 S	11/2006	Chau
D531,991 S	11/2006	Chau
D534,065 S	12/2006	Andre et al.
D534,149 S	12/2006	Griffin
7,148,418 B2	12/2006	Ku et al.
D534,896 S	1/2007	Lin
D534,921 S	1/2007	Andre et al.
D538,820 S	3/2007	Andre et al.

FOREIGN PATENT DOCUMENTS

JP	D1085073	9/2000
JP	D1085080	9/2000
JP	D1089527	10/2000
JP	D1089528	10/2000
JP	D1089529	10/2000
JP	D1105429	4/2001
JP	D1106452	4/2001
JP	D1121650	9/2001
JP	D1123108	10/2001
JP	D1129386	12/2001
JP	D1129387	12/2001
JP	D1106151	8/2002
JP	D1089530	10/2002
JP	D1131037	10/2002
JP	D1154927	10/2002
JP	D1174623	6/2003
JP	D1174710	6/2003
JP	D1185408	9/2003
JP	D1188267	10/2003
JP	D1191223	12/2003
JP	D1193941	1/2004
JP	D1211811	7/2004
JP	D1211812	7/2004

OTHER PUBLICATIONS

U.S. Appl. No. 29/237,086 entitled "Lanyard" filed Aug. 24, 2005.  
 U.S. Appl. No. 29/237,287 entitled "Electronic Device Holder" filed Aug. 24, 2005.  
 U.S. Appl. No. 29/220,176 entitled "Electronic Device Holder" filed Dec. 23, 2004.  
 "Ice Bud: Lanyard Headphones for iPod® nano and shuffle", www.macally.com/spec.ipod/icebud.html, downloaded Nov. 10, 2005, 1 page.  
 "ASCII" weekly publication issued on Jul. 29, 2003, No. 450, Design of USB Memory Audio Player (JPO publicly known Design No. HAI5013509) received by the National Center for Industrial Property Information on Jul. 15, 2003, 1 page.  
 "Crucial Gizmo! Hi/Speed 512MB USB Flash Drive", Xtreme Resources:: Your Xtreme Hardware Review and News Zone!, www.xtremeresources.com, downloaded Nov. 23, 2005, 3 pages.  
 "USB Flash Drive / Style DE (Best Seller)", www.memorysuppliers.com/usbfldrstde.html, downloaded Nov. 23, 2005, 6 pages.  
 "Iomega Mini USB Drives", www.iomega.com, downloaded Nov. 23, 2005, 2 pages.  
 "Verbatim USB Drive Review: Store 'n' Go 512MB", www.audioholics.com, downloaded Nov. 23, 2005, 5 pages.  
 Gigabyte GO/U0128B 128MB USB Hard Drive Review / Pcstats.com, www.pcstats.com, downloaded Nov. 23, 2005, 3 pages.  
 "Lexar Media JumpDrive Classic USB Flash Drive with Lanyards, 128MB, 3 Pack", www.compusa.com, downloaded Nov. 23, 2005, 2 pages.  
 "USB Drive, USB Pen Drive, USB Flash Drive, USB Thumb Drive, Flash Drives, 512MB, 1GB, 2GB, 4GB, 8GB", www.supermediastore.com/usb/flash/drive/usb/flash/drives.html, downloaded Nov. 23, 2005, 4 pages.  
 "USB Drive, USB Pen Drive, USB Flash Drive, USB Thumb Drive, Flash Drives, 512MB, 1GB, 2GB, 4GB, 8GB", www.

supermediastore.com/usb/flash/drive/usb/flash/drives/pen/drives.html, downloaded Nov. 23, 2005, 4 pages.  
 "USB Drive, USB Pen Drive, USB Flash Drive, USB Thumb Drive, Flash Drives, 512MB, 1GB, 2GB, 4GB, 8GB", www.supermediastore.com/usb/flash/drive/usb/flash/drives/pen/drives.html..., downloaded Nov. 23, 2005, 4pages.  
 "USB Flash Drives, USB Pen Drives, Portable Memory, Shop for USB Flash Drives" www.flash/memory/store.com..., downloaded Nov. 23, 2005, 3 pages.  
 "Sony MicroVault 512MB USB 2.0 Flash Drive (00027242645561): Overview", www.dealtime.com..., downloaded Nov. 23, 2005, 1 pages.  
 "Philips KEY006 128MB MP3/WMA player/Thumb Drive with Neck Strap Remote", www.amazon.com..., downloaded Nov. 22, 2005, 2 pages.  
 Joybee 125 MP3 Player, 128MB, Orange (DA125/128MB/Orange), www.amazon.com..., downloaded Nov. 22, 2005, 2 pages.  
 "Neo Pix Live 256 Mb MP3 USB 2.0 USB Key", www.pixmania.co.uk... downloaded Nov. 22, 2005, 3 pages.  
 "iRiver 1GBMP3 Player with FM Tuner", www.circuitcity.com..., downloaded Nov. 22, 2005, 1 page.  
 "Sony Network Walkman Digital Music Player", www.circuitcity.com..., downloaded Nov. 22, 2005, 1 page.  
 "Samsung 1GB USB Direct/Insert MP3 Player", www.circuitcity.com..., downloaded Nov. 22, 2005, 1 page.  
 "Samsung 512MB Portable Digital Audio Player", www.circuitcity.com..., downloaded Nov. 22, 2005, 1 page.  
 "iRiver 512MB MP3 Jukebox with Color Display", www.circuitcity.com..., downloaded Nov. 22, 2005, 1 page.  
 "Samsung 512MB USB Direct/Insert MP3 Player", www.circuitcity.com..., downloaded Nov. 22, 2005, 1 page.  
 "Creative Zen Nano 512MB MP3 Player (White)", www.circuitcity.com..., downloaded Nov. 22, 2005, 1 page.  
 "SanDisk 512MB MP3 Player", www.circuitcity.com..., downloaded Nov. 22, 2005, 1 page.  
 "YoYo/128MB", www.usb/mp3player.co.uk, downloaded Nov. 22, 2005, 1 page.  
 "Aigo BY06/128MB", www.usb/mp3players.co.uk, downloaded Nov. 22, 2005, 1 page.  
 "Sigmatel USB Mp3 Player", www.intomusic.co.uk/scripts/usb/mp3/wma/player.asp, downloaded Nov. 22, 2005, 3 pages.  
 "Transcend 256MB T. Sonic 610 USB MP3 Player", www.supermediastore.com..., downloaded Nov. 22, 2005, 3 pages.  
 "Apacer Audio Steno AS820 USB 512MB Flash Drive MP3 Player FM Radio Line/In MP3 Conversion Voice", www.supermidastore.com..., downloaded Nov. 22, 2005, 3 pages.  
 "Ennyah Digi Sound 701 Aluminum Case MP3 Player 212MB Silver", www.supermediastore.com..., downloaded Nov. 22, 2005, 3 pages.  
 "Artwizz HangPhones Earphones", http://shop.ipodworld.co.uk..., downloaded Jun. 27, 2005, 1 page.  
 "Rio eStore", www.riohome.net/shop/bin... downloaded Jun. 15, 2005, 1 page.  
 "PN10 512MB", www.iriveramerica.com..., downloaded Aug. 23, 2005, 2 pages.  
 "iDiddy", www.ididdy.com downloaded Aug. 24, 2005, 10 pages.

\* cited by examiner

Primary Examiner—Prabhakar Deshmukh  
 (74) Attorney, Agent, or Firm—Sterne, Kessler, Goldstein & Fox P.L.L.C.

(57)

CLAIM

We claim the ornamental design for an electronic device holder, substantially as shown and described.

DESCRIPTION

All the material from U.S. Design Pat. application No. 29/265,520, which is essential to the claimed design, is

included herein. Any material in U.S. Design Pat. Application No. 29/265,520, which is not present herein, forms no part of the claimed design.

FIG. **1** is a top perspective view of an electronic device holder in accordance with the present design.

FIG. **2** is a top view for the electronic device holder.

FIG. **3** is a bottom view for the electronic device holder.

FIG. **4** is a front view for the electronic device holder.

FIG. **5** is a rear view for the electronic device holder.

FIG. **6** is a right side view for the electronic device holder.

FIG. **7** is a left side view for the electronic device holder.

FIG. **8** is a top view of the electronic device holder, shown in use; and,

FIG. **9** is a top plan view of the electronic device holder, shown in use with an electronic device. The electronic device shown in broken lines herein is described in the U.S. Design patent application Ser. No. 29/265,520, filed Sep. 1, 2006, which is herein incorporated by reference.

The broken lines are included for the purpose of illustrating environmental structure only and form no part of the claimed design.

**1 Claim, 3 Drawing Sheets**

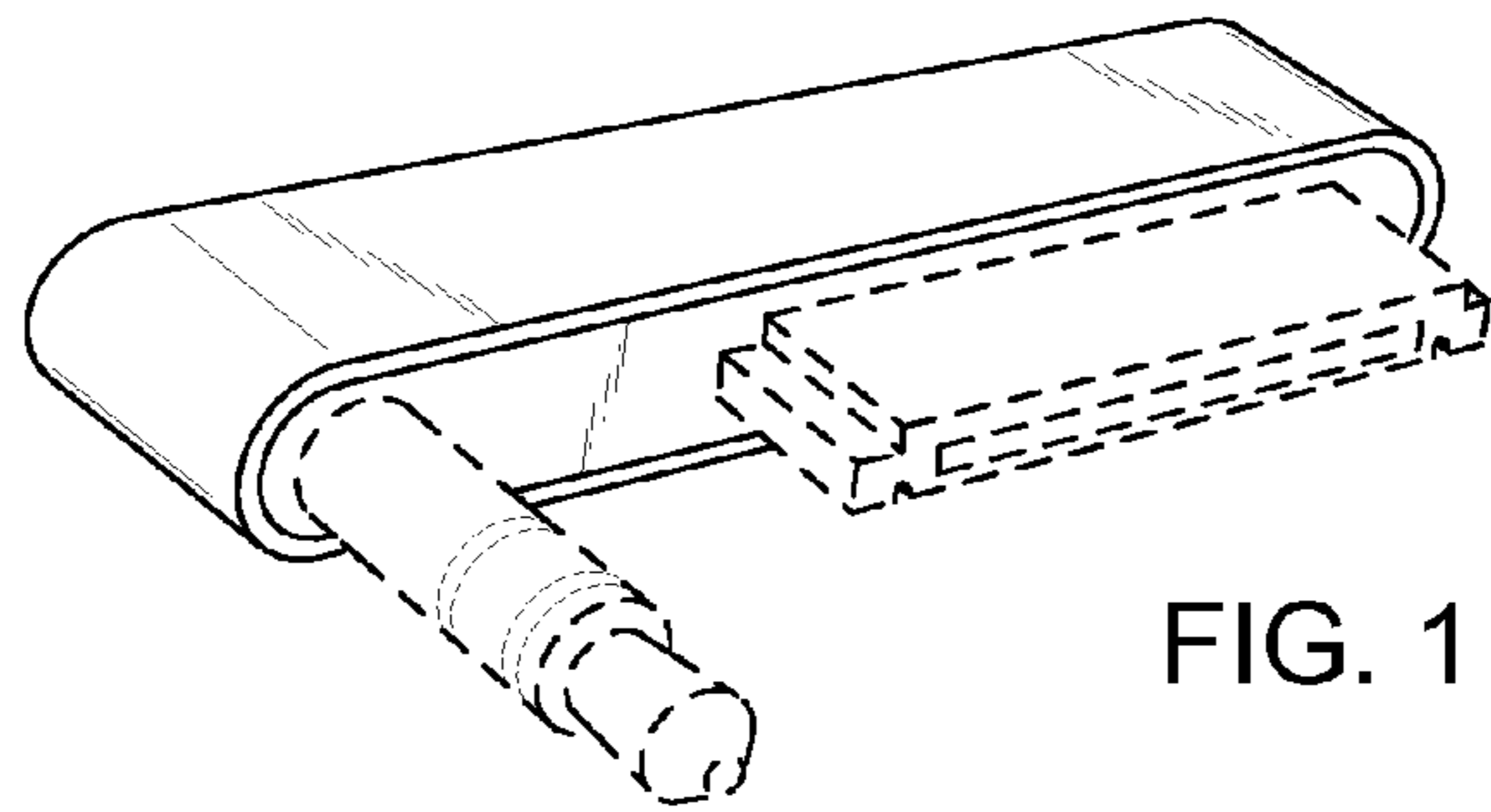


FIG. 1

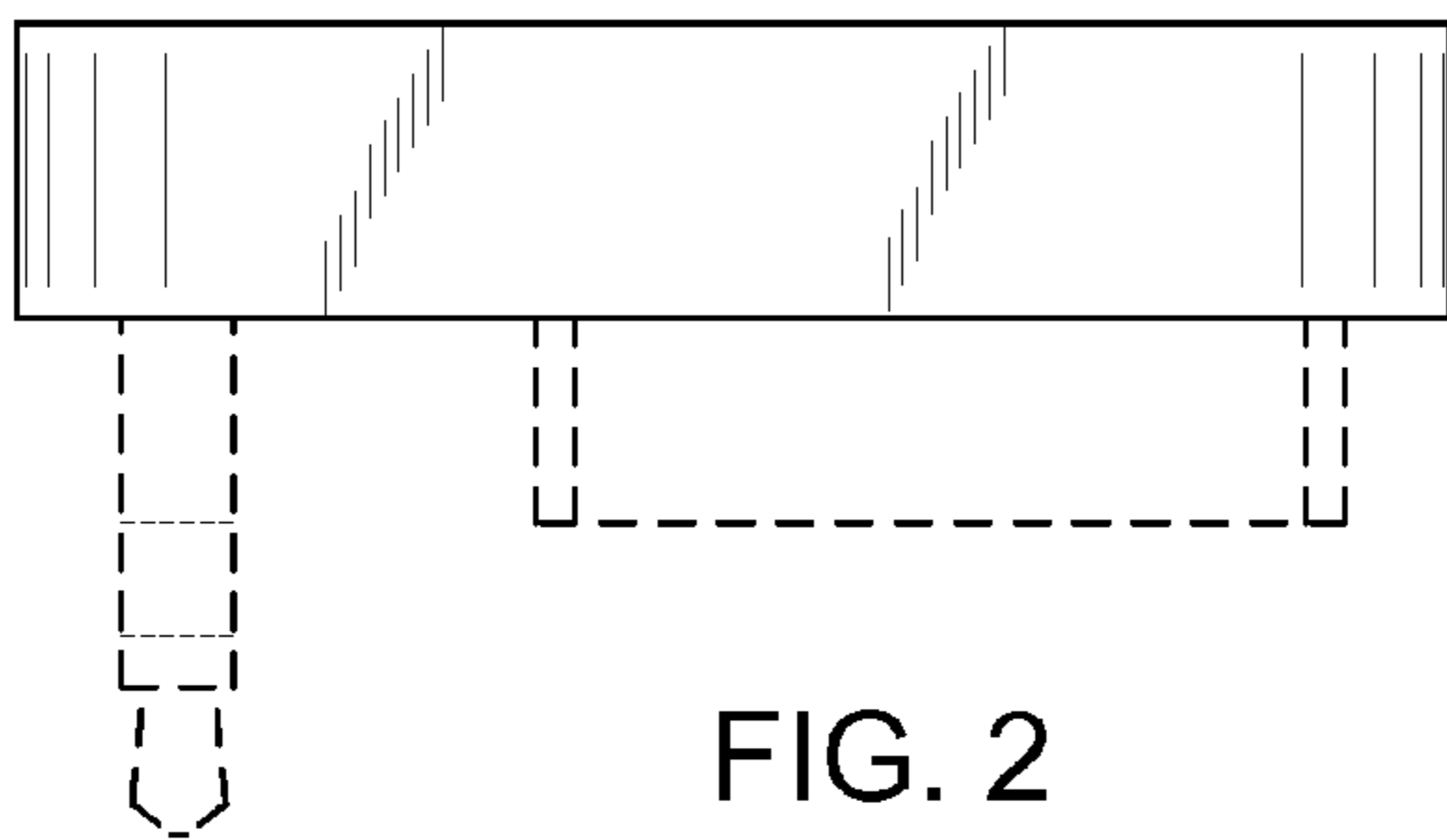


FIG. 2

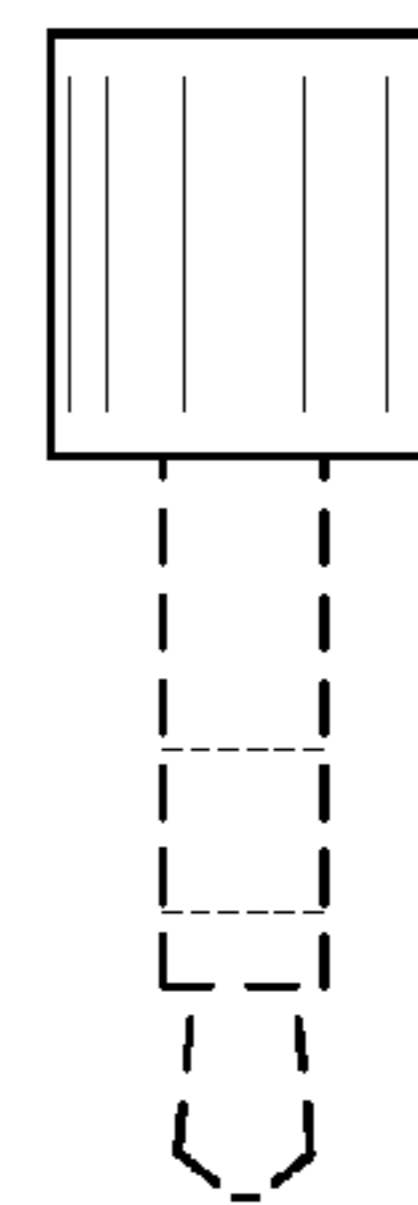


FIG. 6

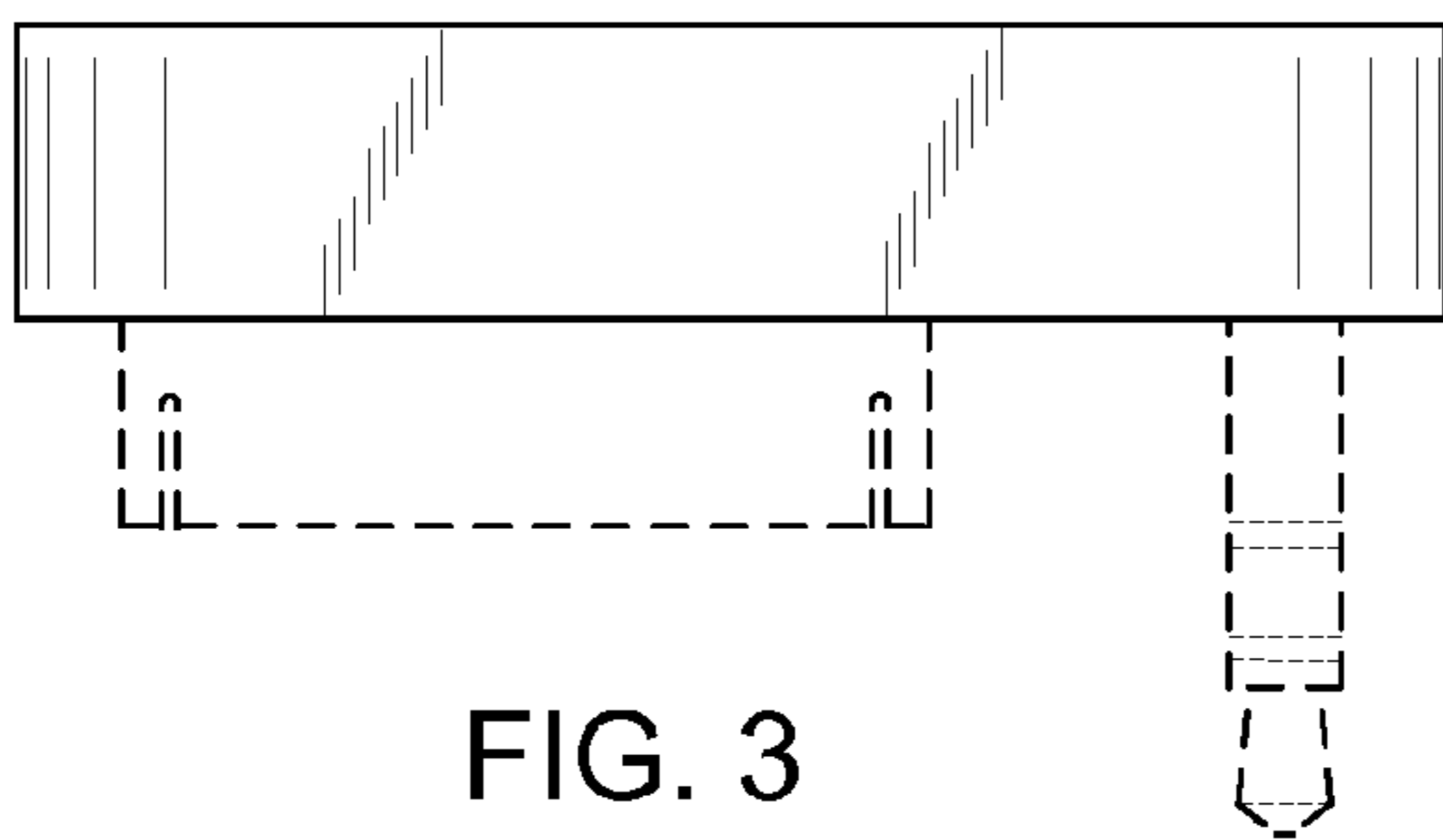


FIG. 3

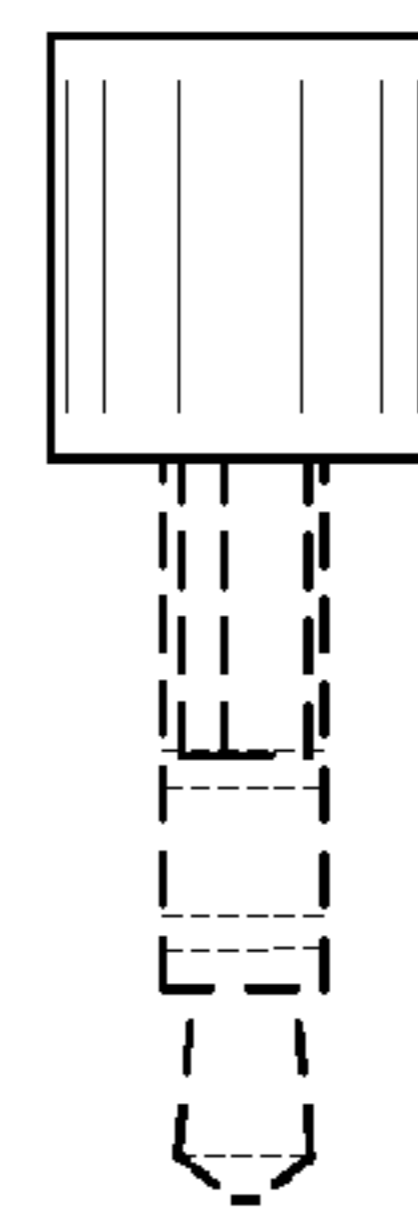


FIG. 7

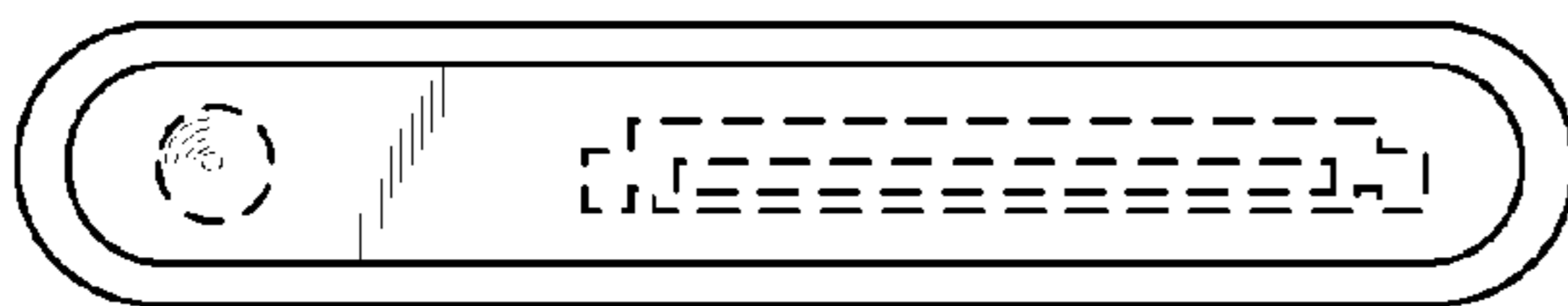


FIG. 4



FIG. 5

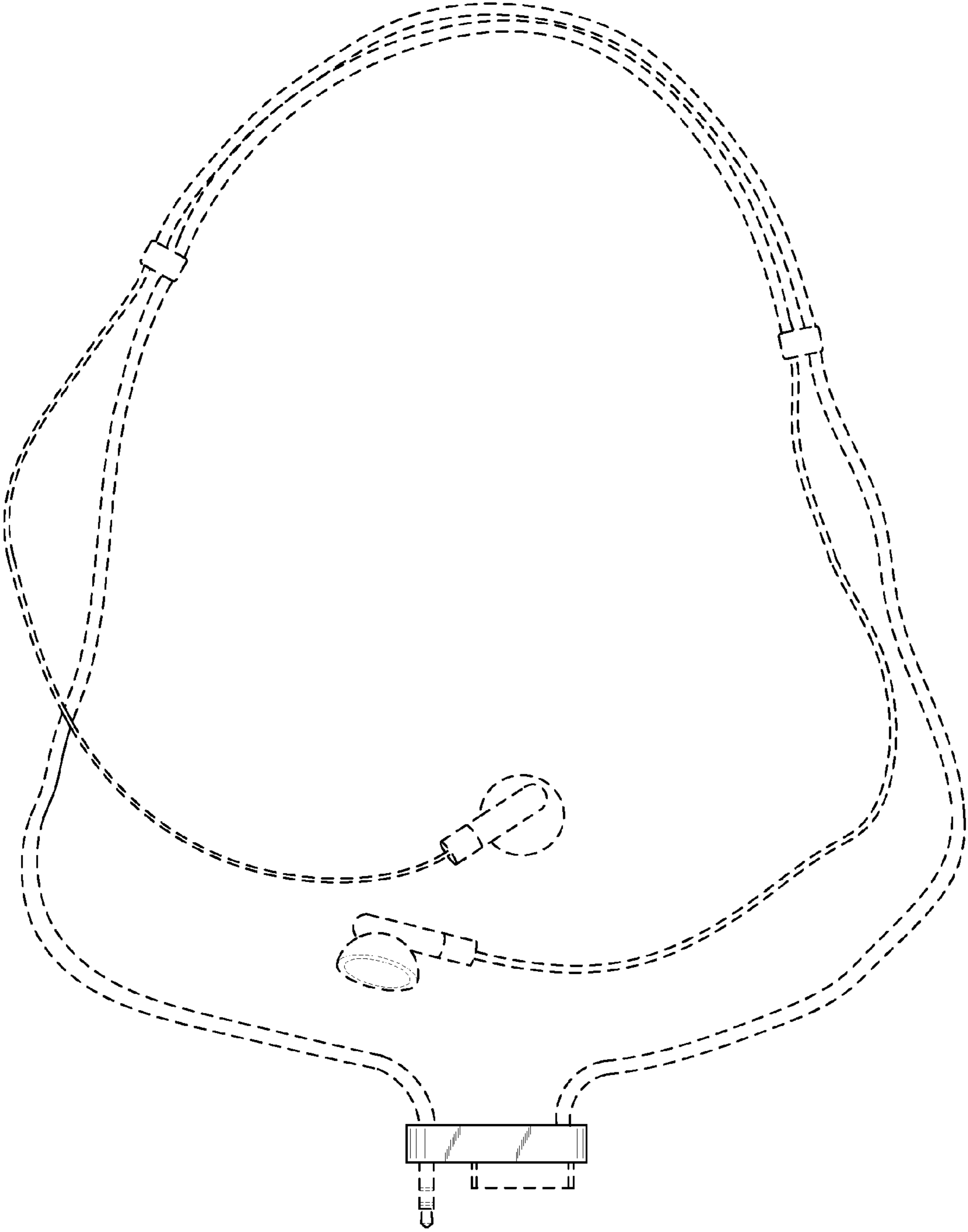


FIG. 8

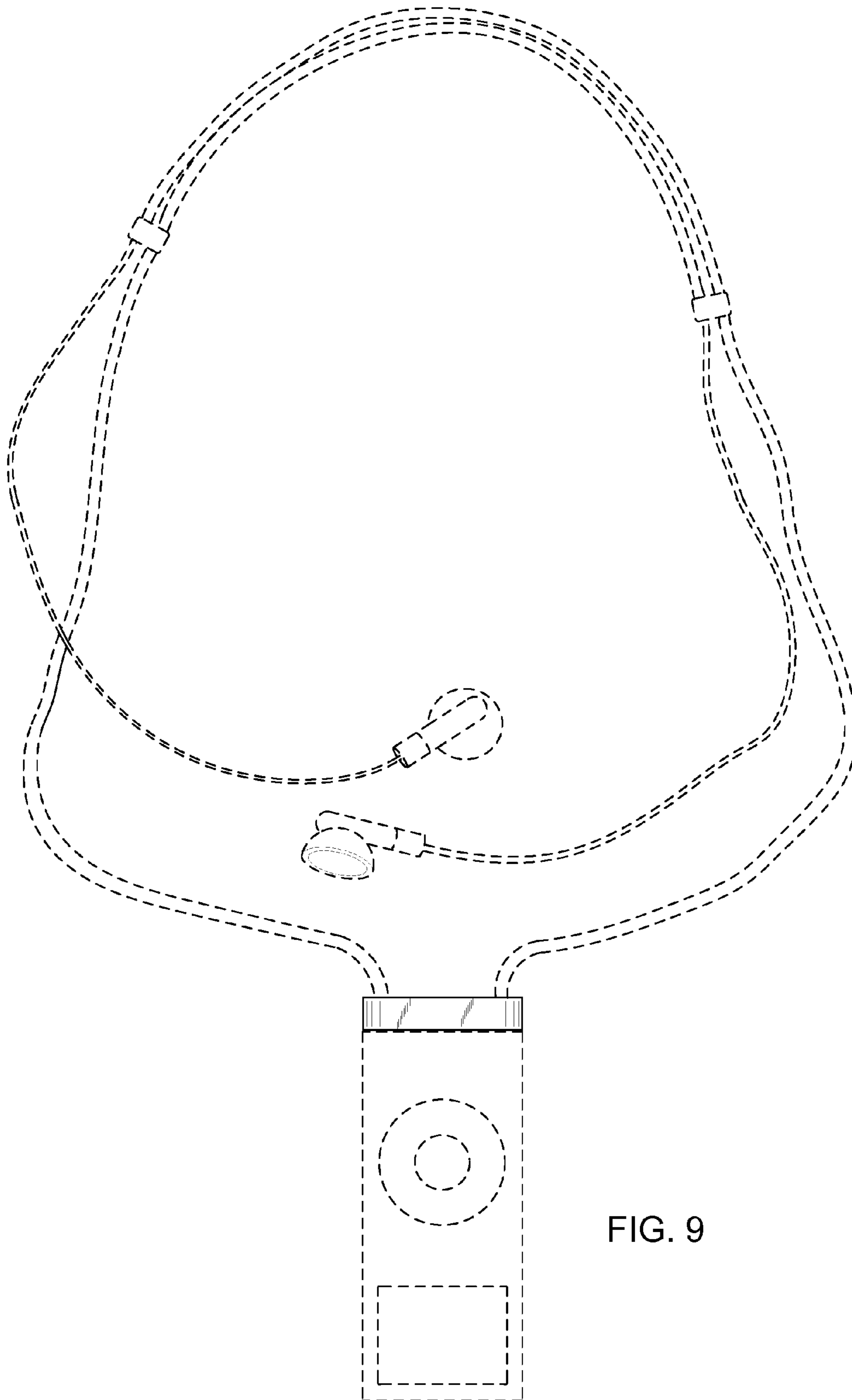


FIG. 9