



US00D577003S

(12) **United States Design Patent**
Yang et al.

(10) **Patent No.:** **US D577,003 S**
(45) **Date of Patent:** **** Sep. 16, 2008**

(54) **COMMUNICATIONS HEADSET**

(75) Inventors: **Joseph Yang**, San Jose, CA (US); **Kevin Rausch**, Aptos, CA (US)

(73) Assignee: **Plantronics, Inc.**, Santa Cruz, CA (US)

(**) Term: **14 Years**

(21) Appl. No.: **29/270,101**

(22) Filed: **Feb. 23, 2007**

(51) **LOC (8) Cl.** **14-01**

(52) **U.S. Cl.** **D14/206**

(58) **Field of Classification Search** D14/142,
D14/188, 192, 205-206, 223; D24/174;
379/420.04, 430, 431, 433.03, 433.05; 181/129-130;
381/238, 330, 381, 370, 373-379; 455/569.1,
455/575.2

See application file for complete search history.

(56) **References Cited**

U.S. PATENT DOCUMENTS

5,260,997 A * 11/1993 Gattey et al. 379/430
D371,133 S * 6/1996 Andrea D14/206
6,122,369 A * 9/2000 Hwang et al. 379/420.04
D448,359 S * 9/2001 Do et al. D14/223
D464,945 S * 10/2002 Bosch D14/206

6,868,284 B2 * 3/2005 Bae 455/575.2
D512,991 S * 12/2005 Yano D14/223
D526,313 S * 8/2006 Murray D14/223
D533,540 S * 12/2006 Murray D14/205
7,248,902 B2 * 7/2007 Chu 455/569.1
D550,658 S * 9/2007 Wang D14/223
7,302,074 B2 * 11/2007 Wagner et al. 381/381

* cited by examiner

Primary Examiner—Paula A. Greene

(74) *Attorney, Agent, or Firm*—Michael Rodriguez

(57) **CLAIM**

The ornamental design for a communications headset, as shown and described.

DESCRIPTION

FIG. 1 is front-top-left perspective view of a communications headset showing our new design;

FIG. 2 is a front view thereof;

FIG. 3 is a back view thereof;

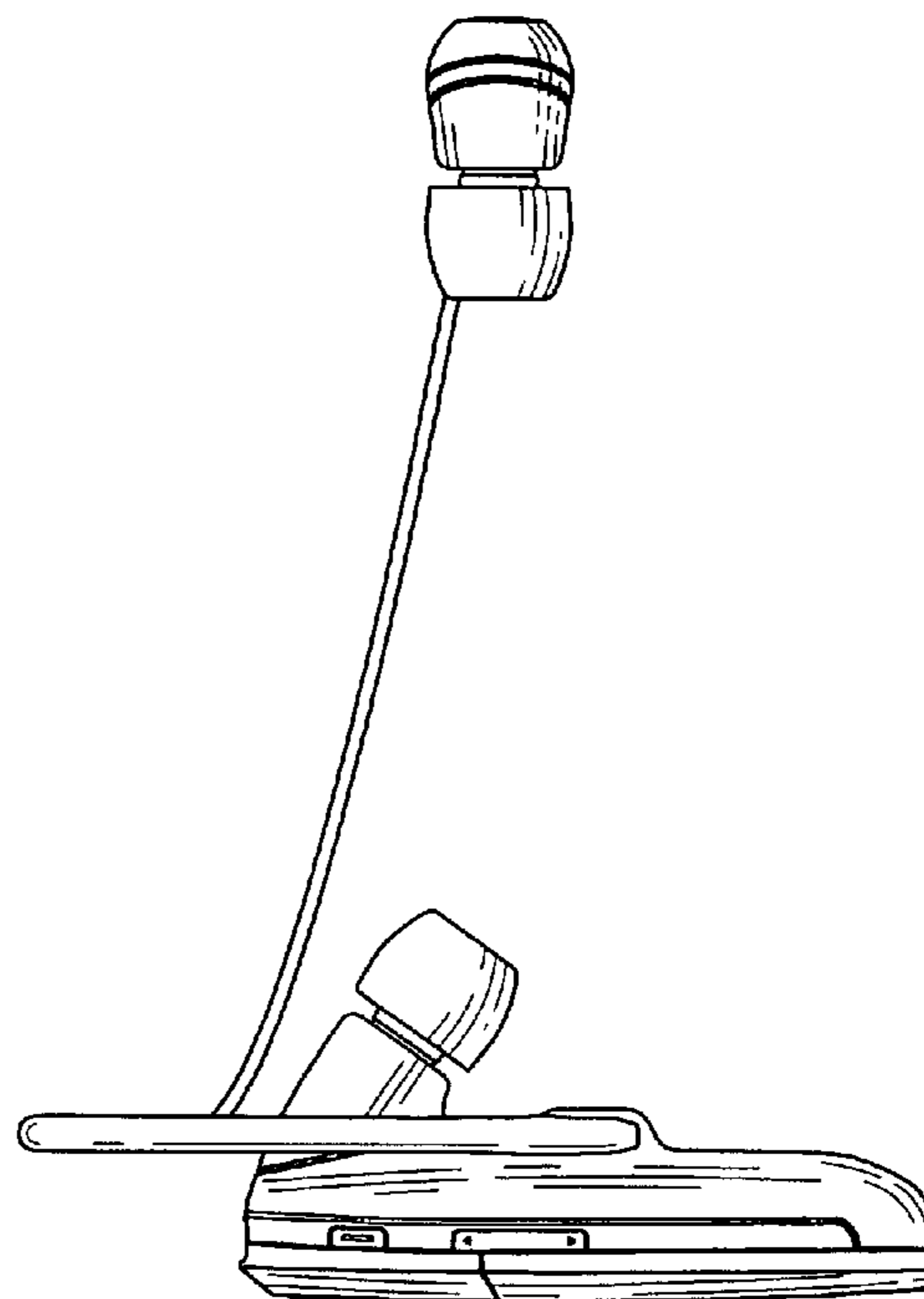
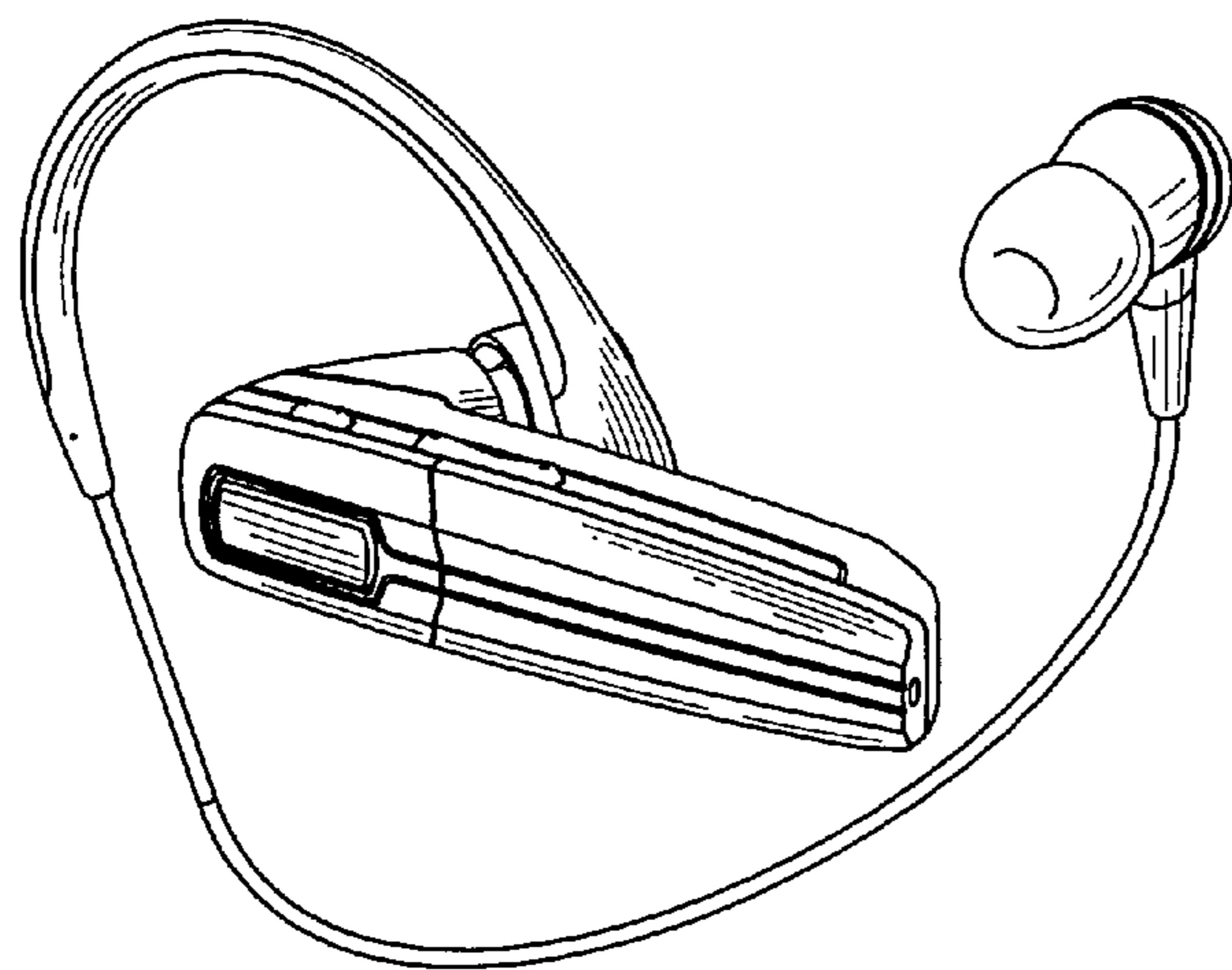
FIG. 4 is a right side view thereof;

FIG. 5 is a left side view thereof;

FIG. 6 is a top view thereof; and,

FIG. 7 is a bottom view thereof.

1 Claim, 4 Drawing Sheets



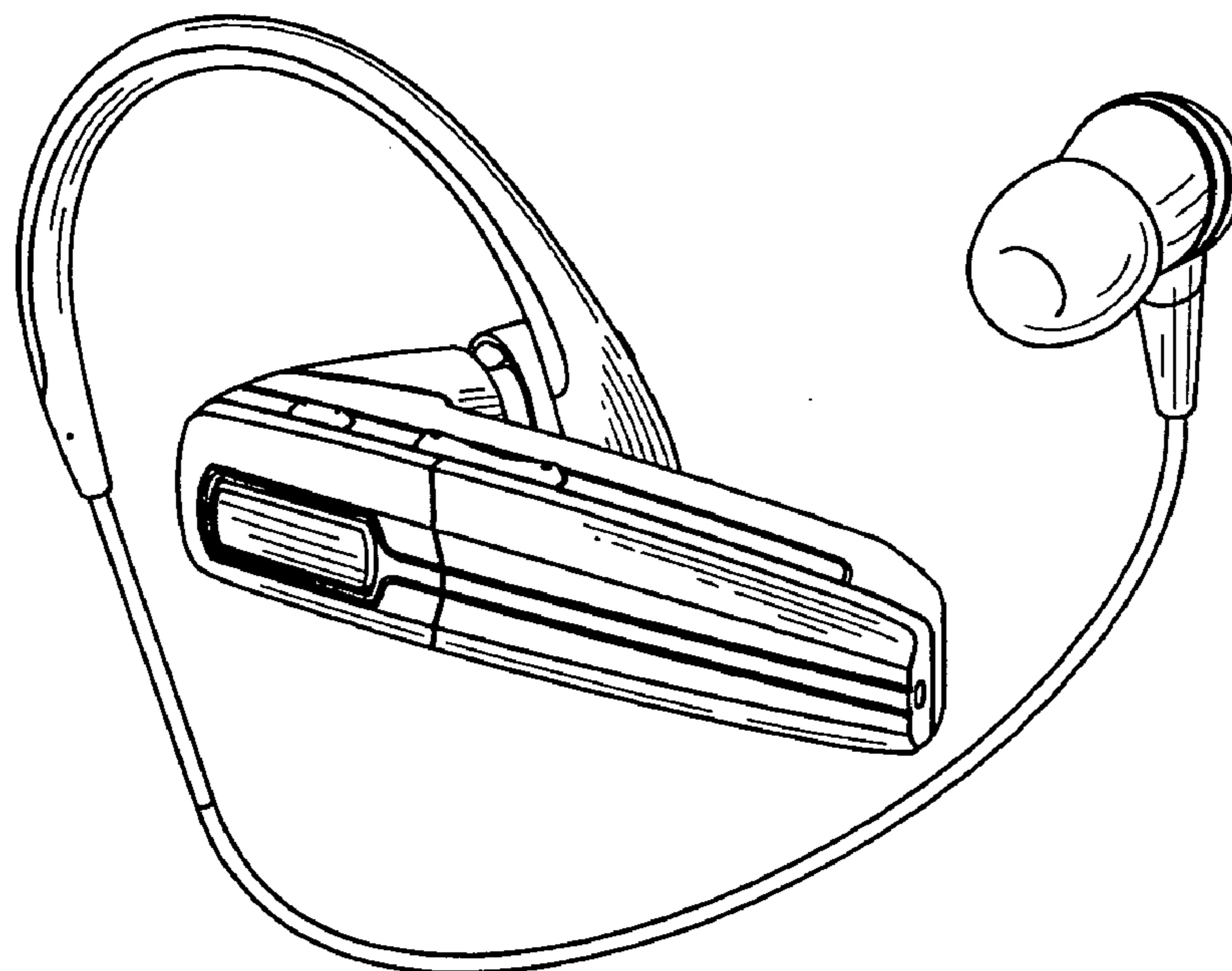


FIG. 1

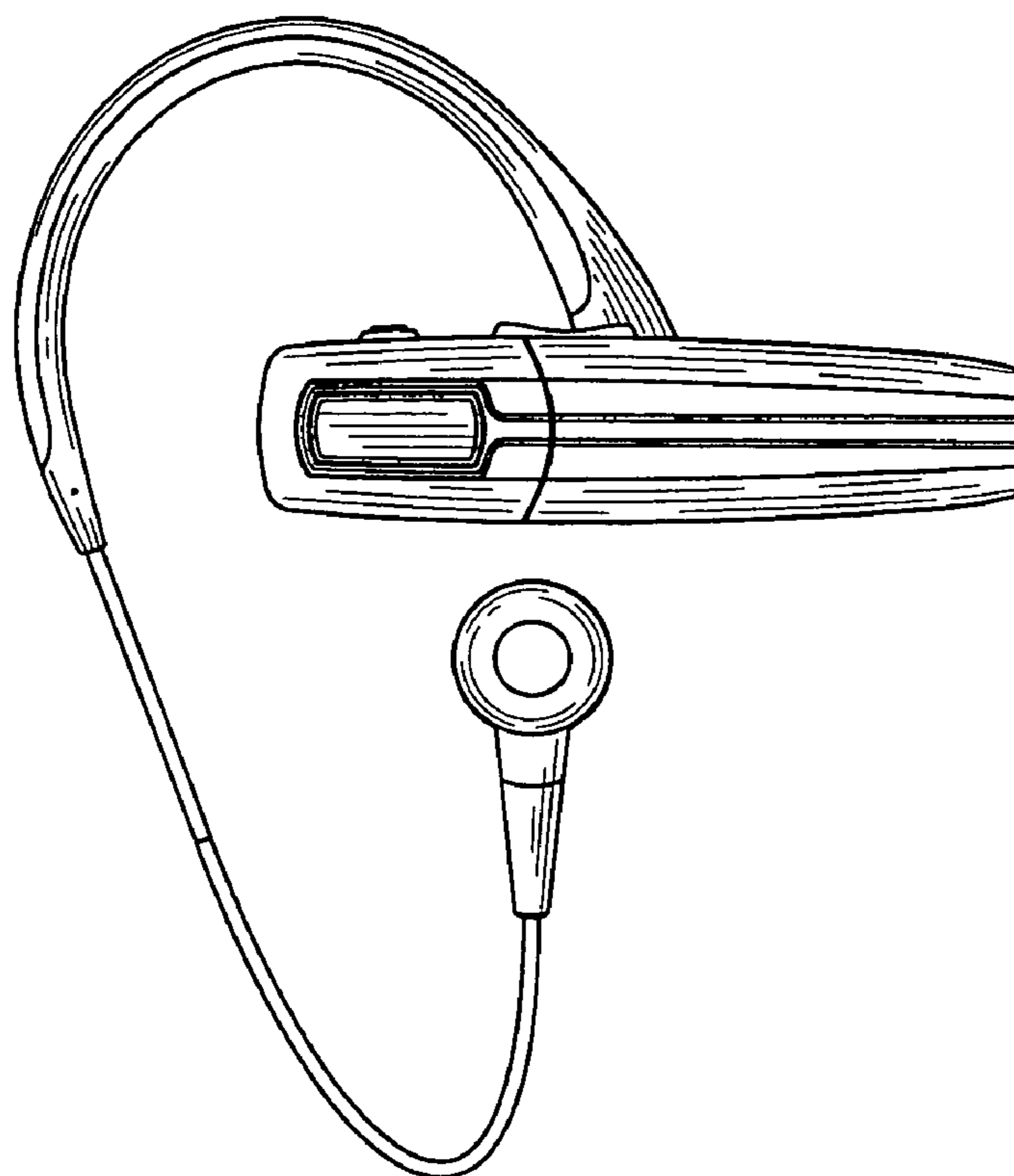


FIG. 2

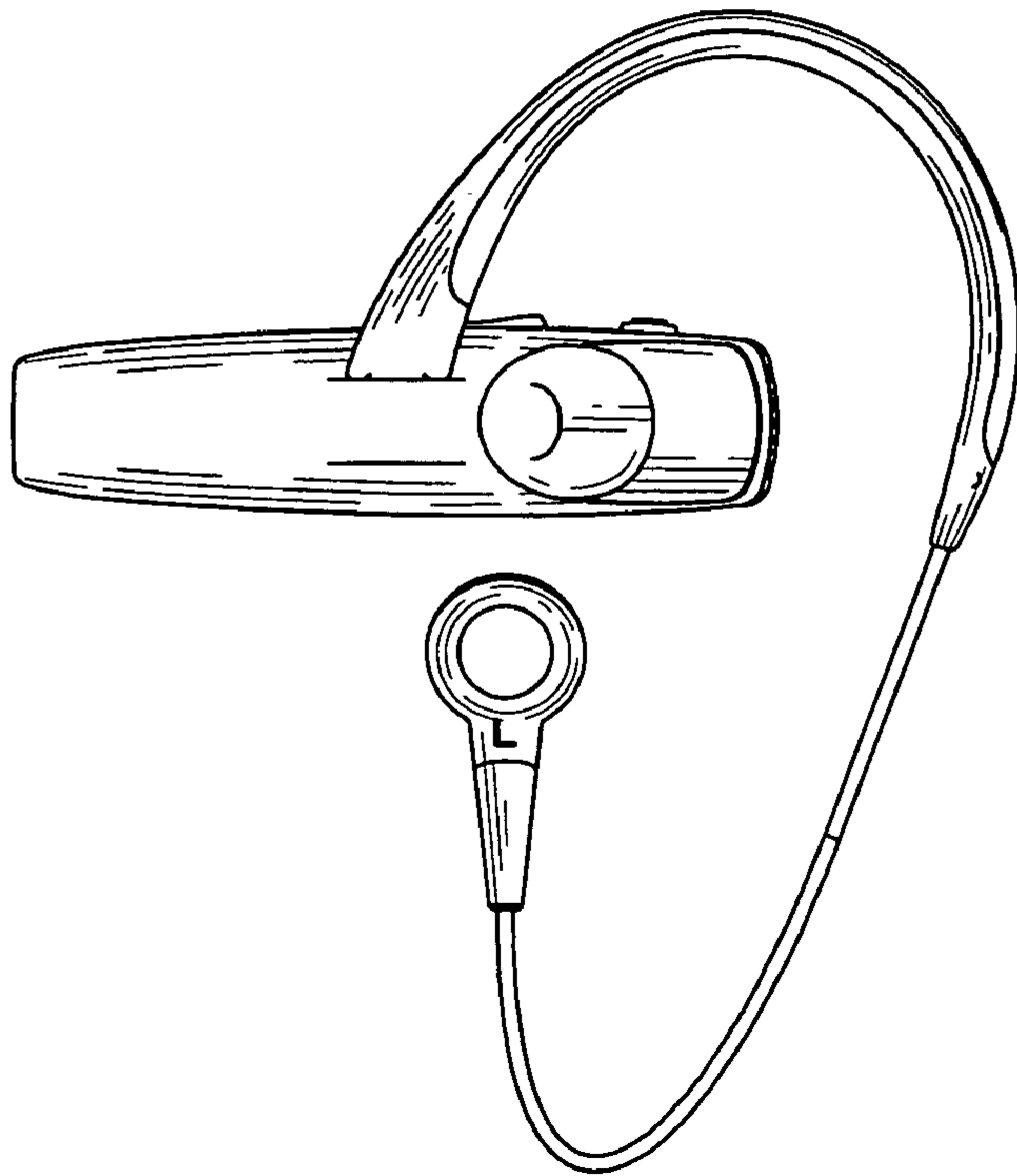


FIG. 3

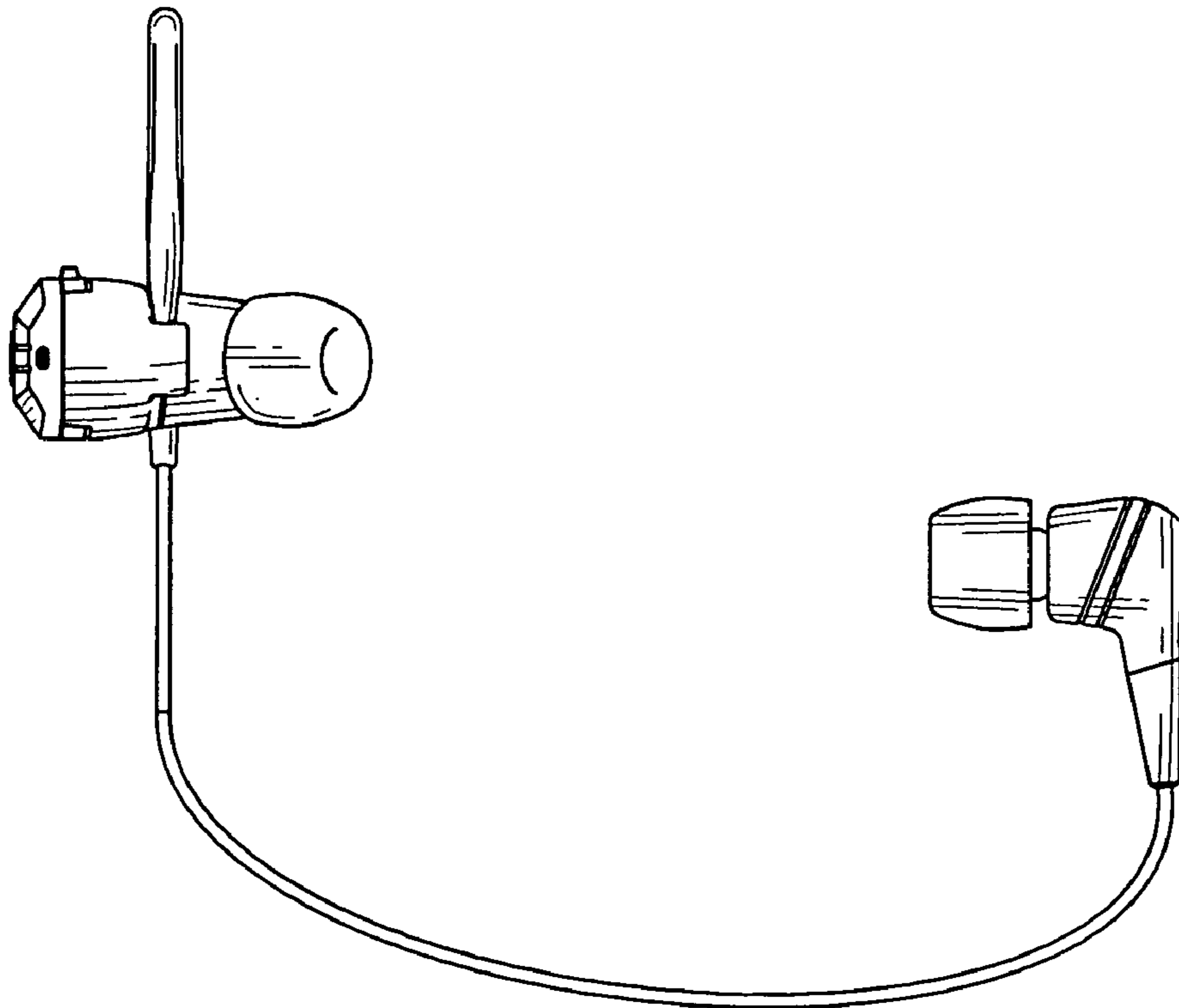


FIG. 4

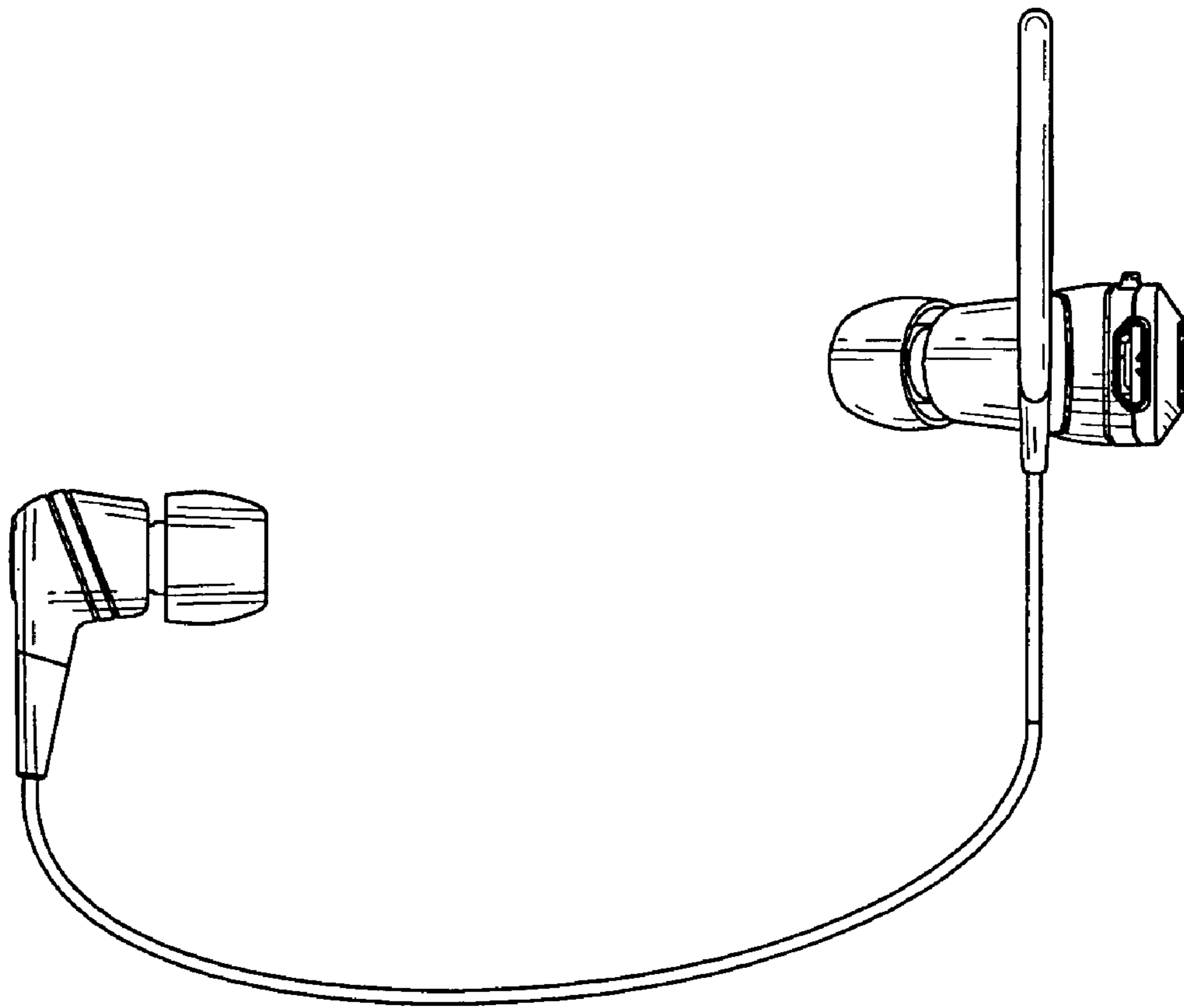


FIG. 5

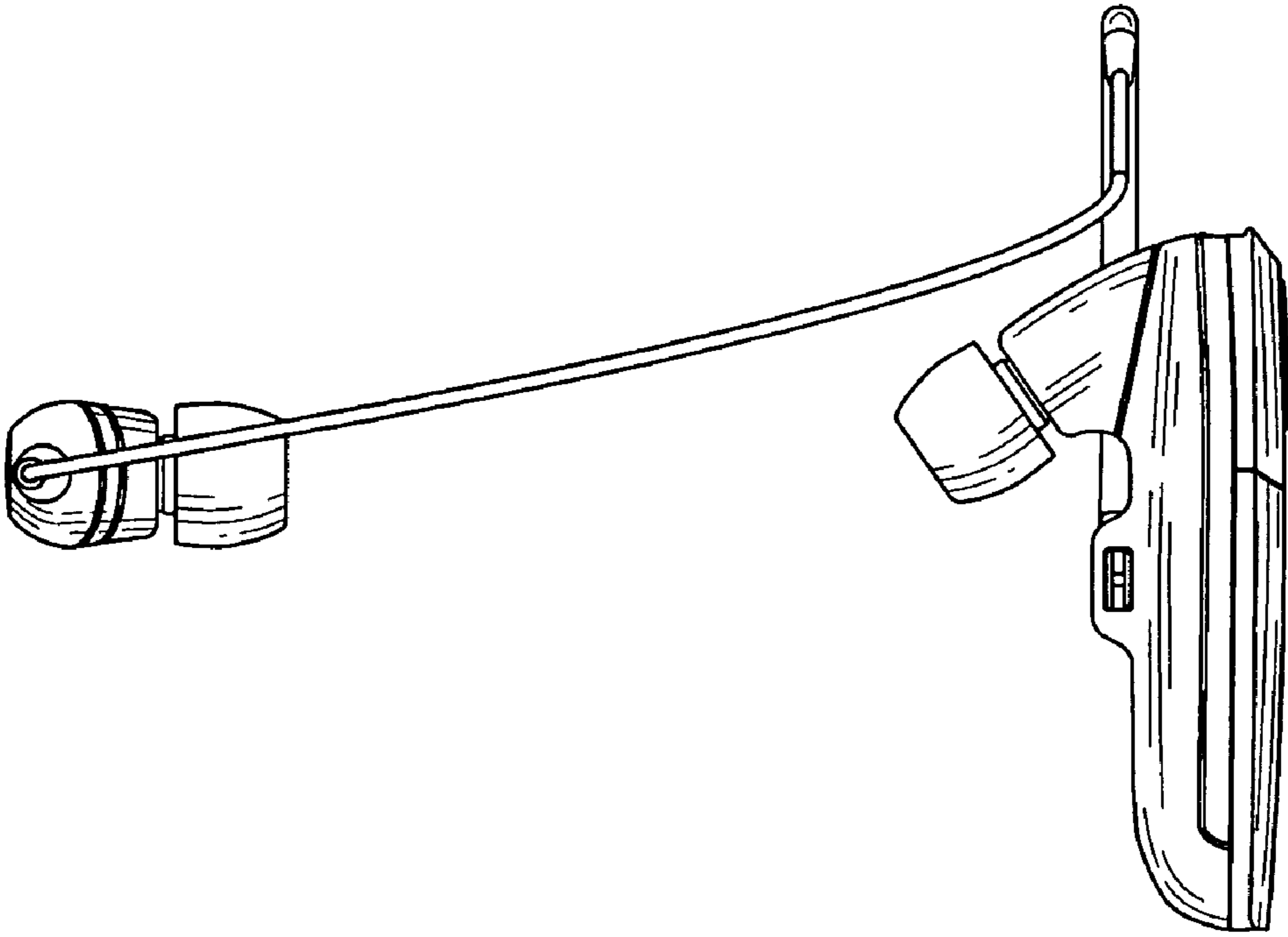


FIG. 7

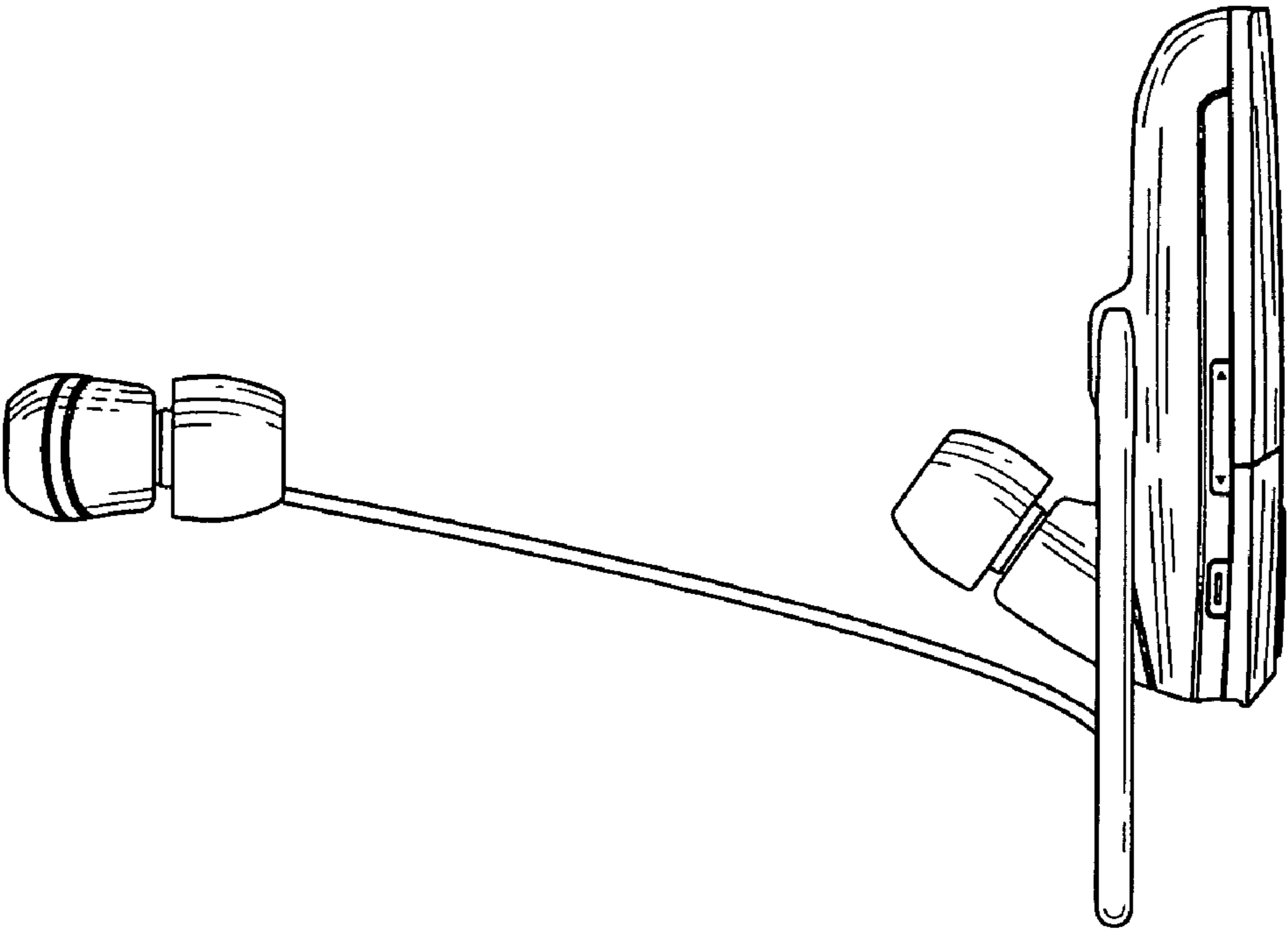


FIG. 6