



US00D577002S

(12) **United States Design Patent**
Kurihara

(10) **Patent No.:** **US D577,002 S**
(45) **Date of Patent:** **** Sep. 16, 2008**

(54) **CLOCK RADIO WITH DOCKING STATION**

D563,386 S * 3/2008 Foster D14/214
D563,387 S * 3/2008 Aquillano D14/214
D566,101 S * 4/2008 Griffin et al. D14/214

(75) Inventor: **Daisuke Kurihara**, Tokyo (JP)

(73) Assignee: **Sony Corporation**, Tokyo (JP)

(**) Term: **14 Years**

(21) Appl. No.: **29/287,498**

(22) Filed: **Aug. 15, 2007**

(51) **LOC (8) Cl.** **14-03**

(52) **U.S. Cl.** **D14/170; D14/171**

(58) **Field of Classification Search** D14/137,
D14/155, 156, 168, 170, 171, 188, 193-198,
D14/210, 212, 214, 217, 496; D10/1, 2,
D10/15; 312/7.1; 455/91, 95, 100, 128,
455/344, 347, 350, 351; 369/6-12
See application file for complete search history.

(56) **References Cited**

U.S. PATENT DOCUMENTS

D514,090 S * 1/2006 Carbone et al. D14/214
D514,546 S * 2/2006 Chan D14/171
D523,419 S * 6/2006 Joseph D14/214
D532,773 S * 11/2006 Langberg et al. D14/214
D545,810 S * 7/2007 Hussaini et al. D14/168
D547,303 S * 7/2007 Westrup et al. D14/214
D550,650 S * 9/2007 Patel et al. D14/214
D552,080 S * 10/2007 Langberg et al. D14/214
D553,611 S * 10/2007 Gan D14/214
D557,251 S * 12/2007 Nohara D14/194
D558,185 S * 12/2007 Schul et al. D14/214

FOREIGN PATENT DOCUMENTS

JP D1257385 S 12/2005
JP D1276032 S 7/2006
JP D1289832 S 12/2006

* cited by examiner

Primary Examiner—Stella M. Reid

Assistant Examiner—Keli L Acker

(74) *Attorney, Agent, or Firm*—Rader, Fishman & Grauer, PLLC

(57) **CLAIM**

The ornamental design for a clock radio with docking station, as shown.

DESCRIPTION

FIG. 1 is a perspective view of a clock radio with docking station showing my new design;

FIG. 2 is a front elevational view thereof;

FIG. 3 is a rear elevation view thereof;

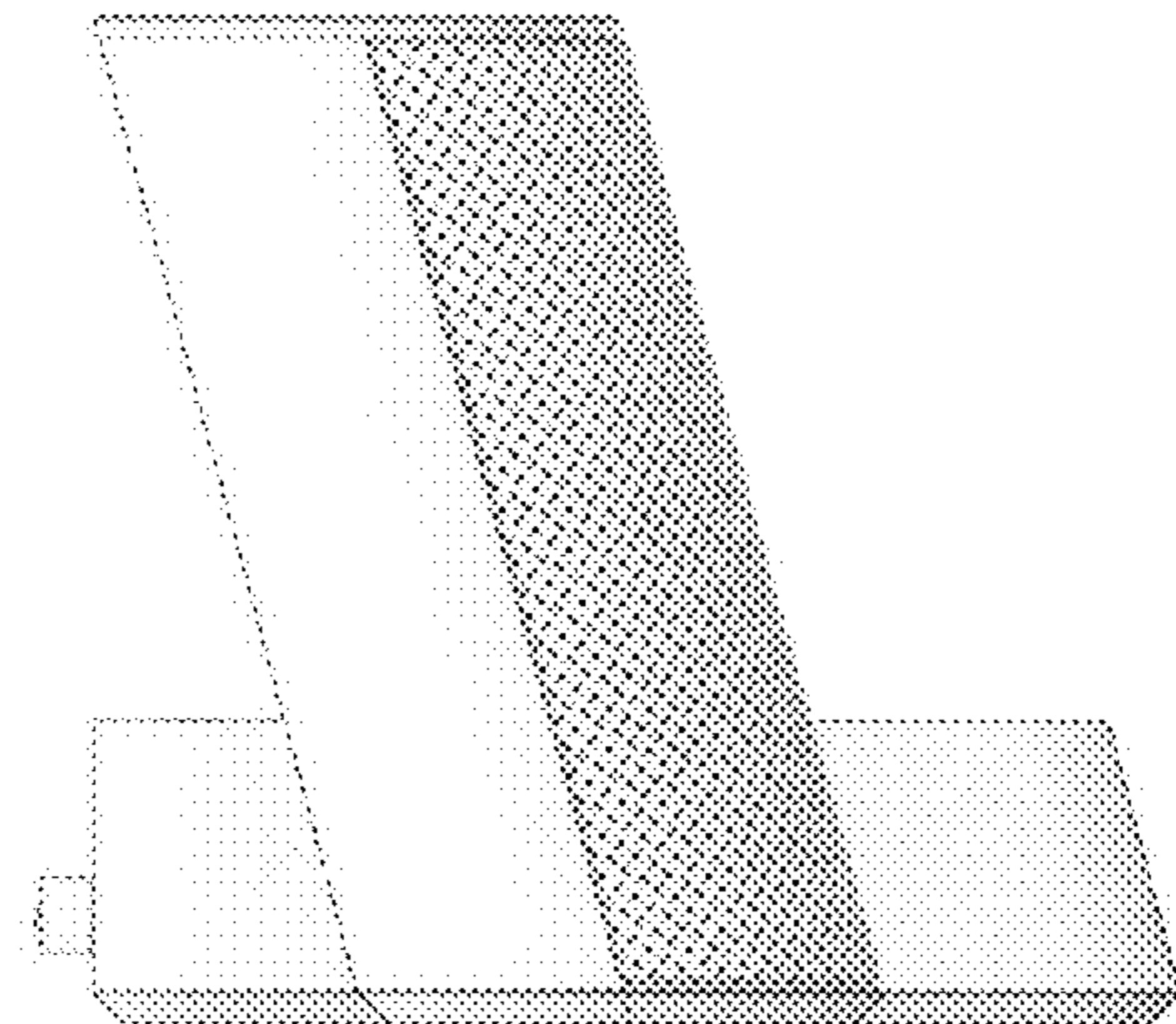
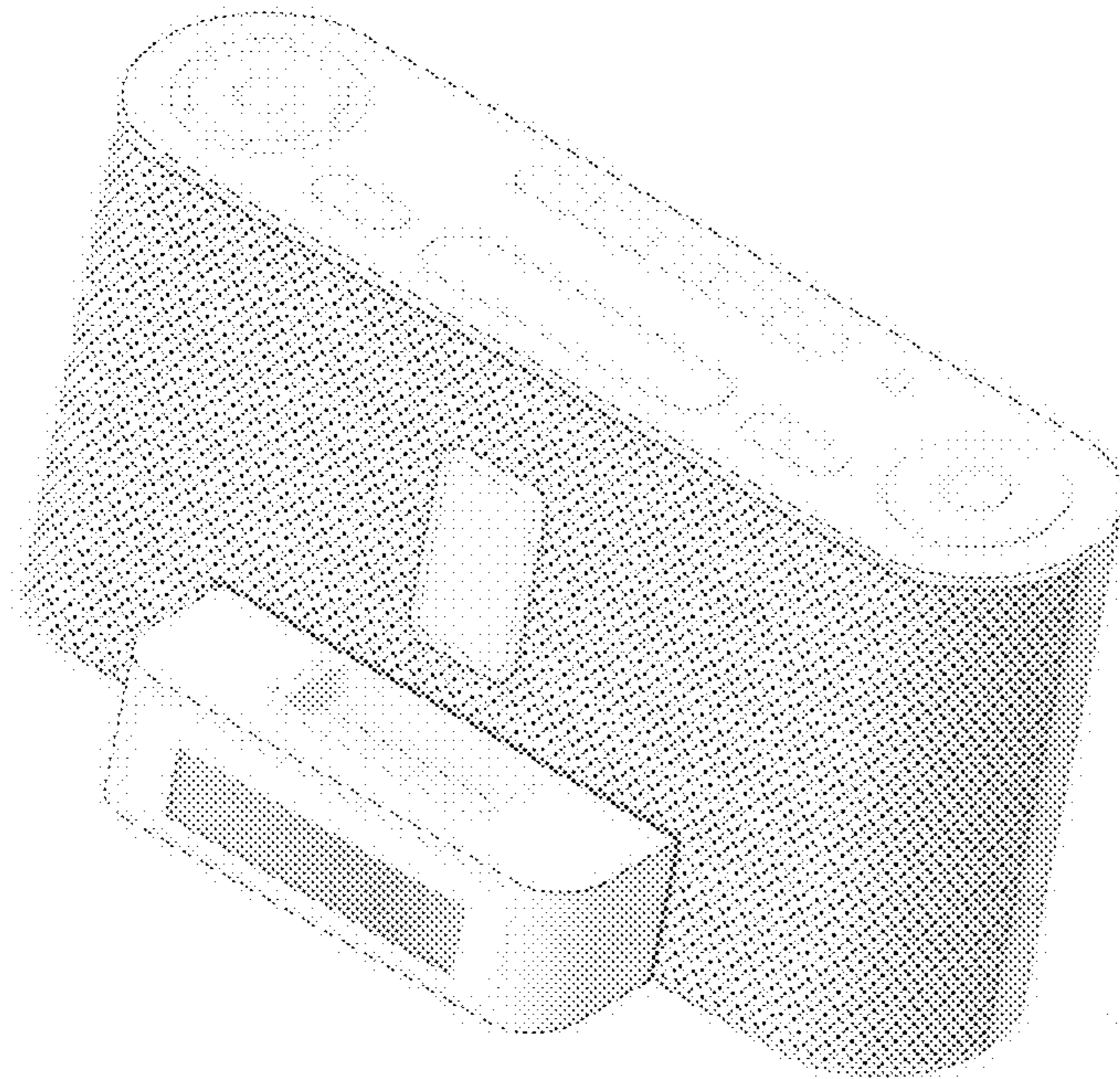
FIG. 4 is a left side elevational view thereof;

FIG. 5 is a right side elevational view thereof;

FIG. 6 is a top plan view thereof; and,

FIG. 7 is a bottom plan view thereof.

1 Claim, 7 Drawing Sheets



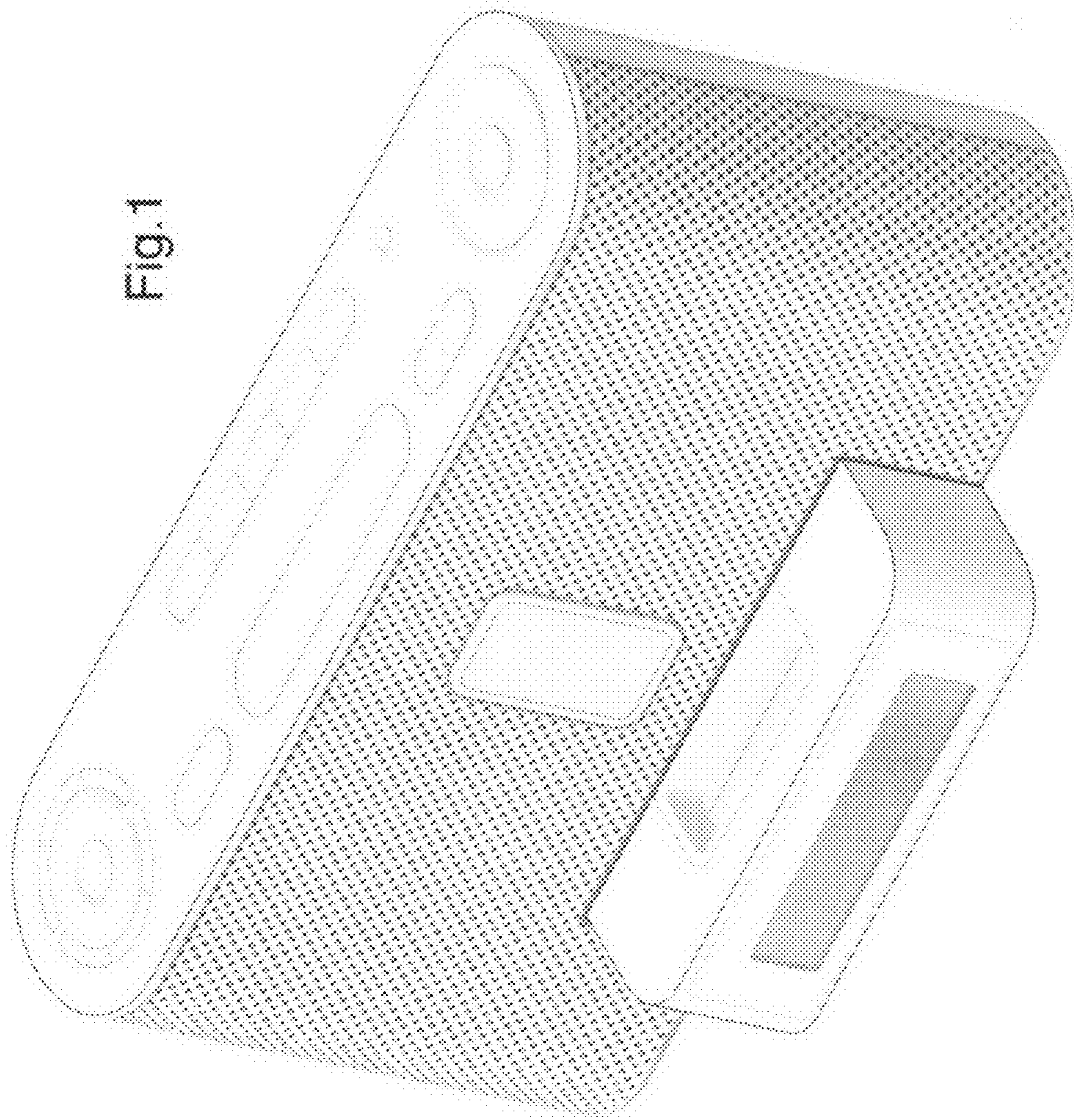


Fig.1

Fig.2

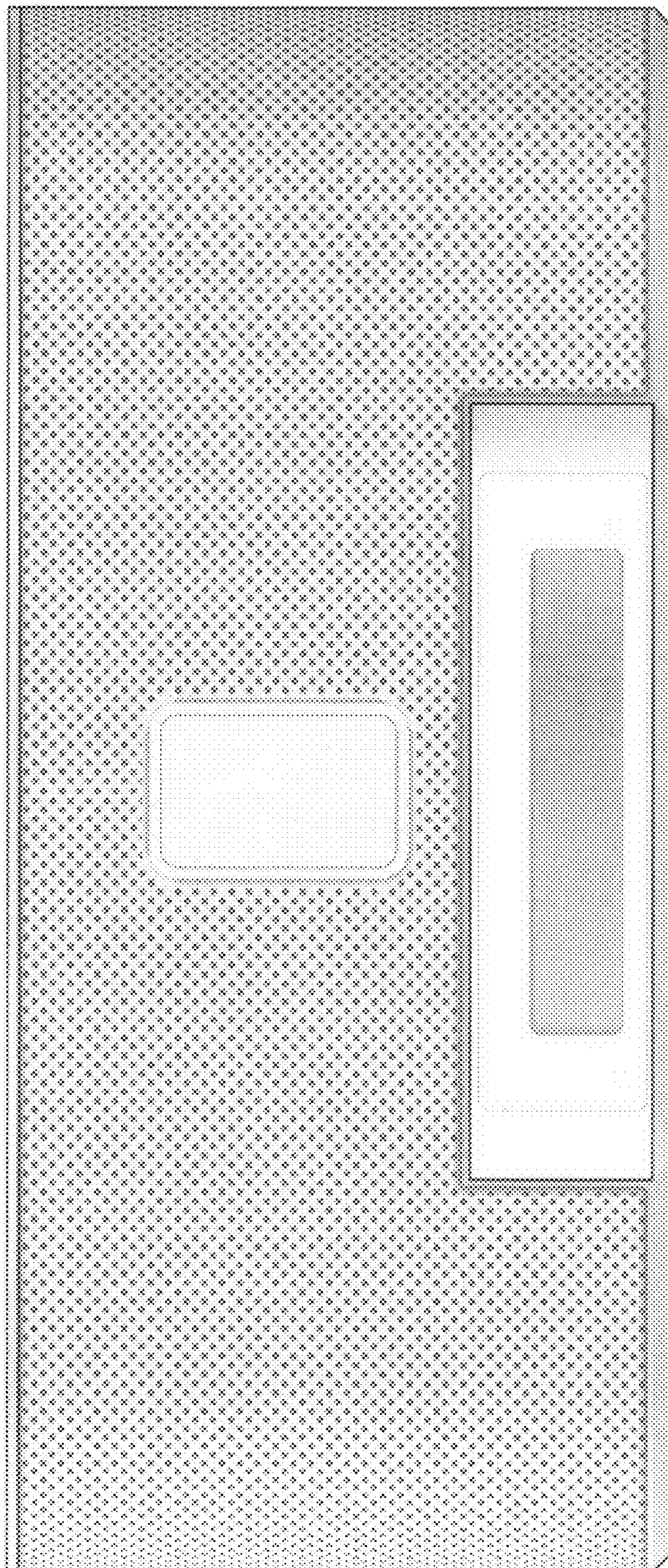


Fig. 3

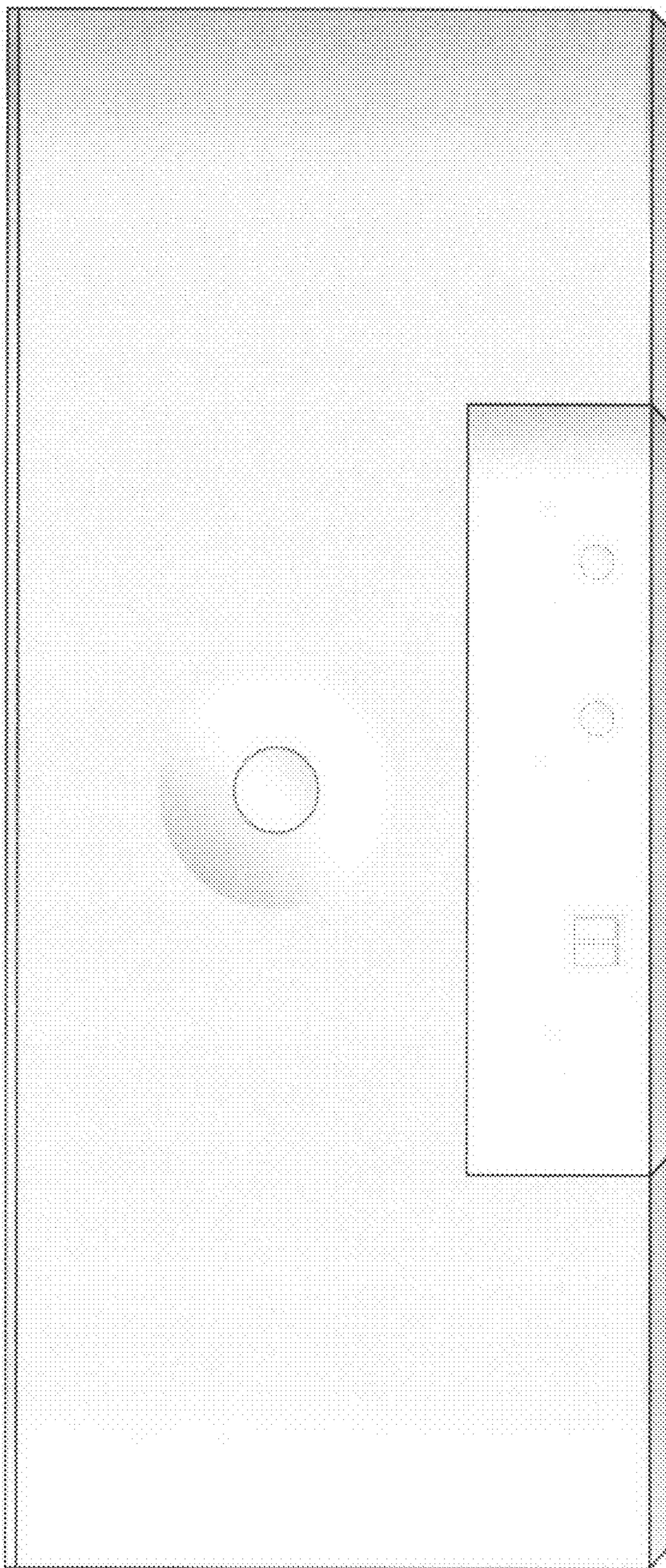


Fig.4

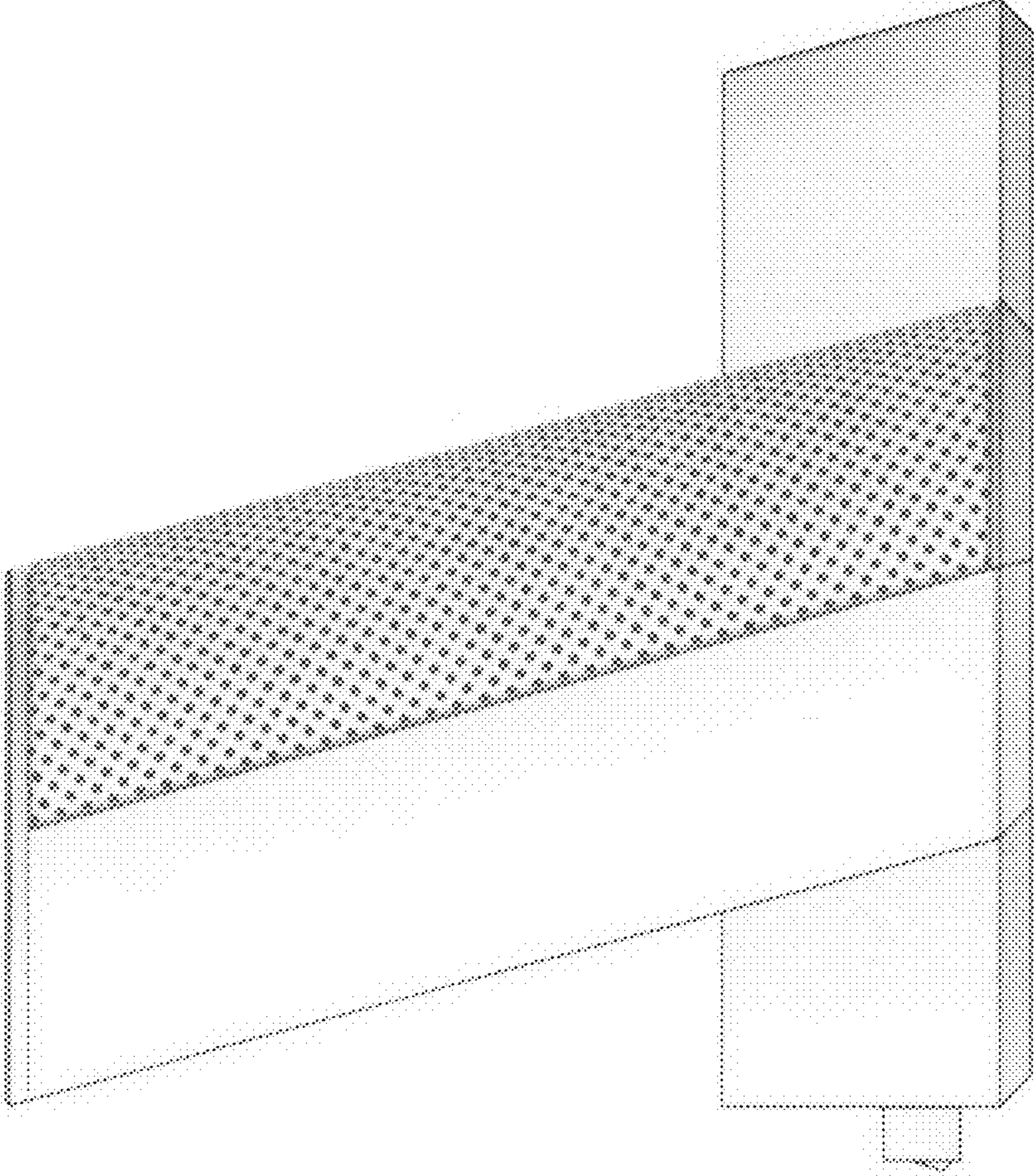


Fig. 5

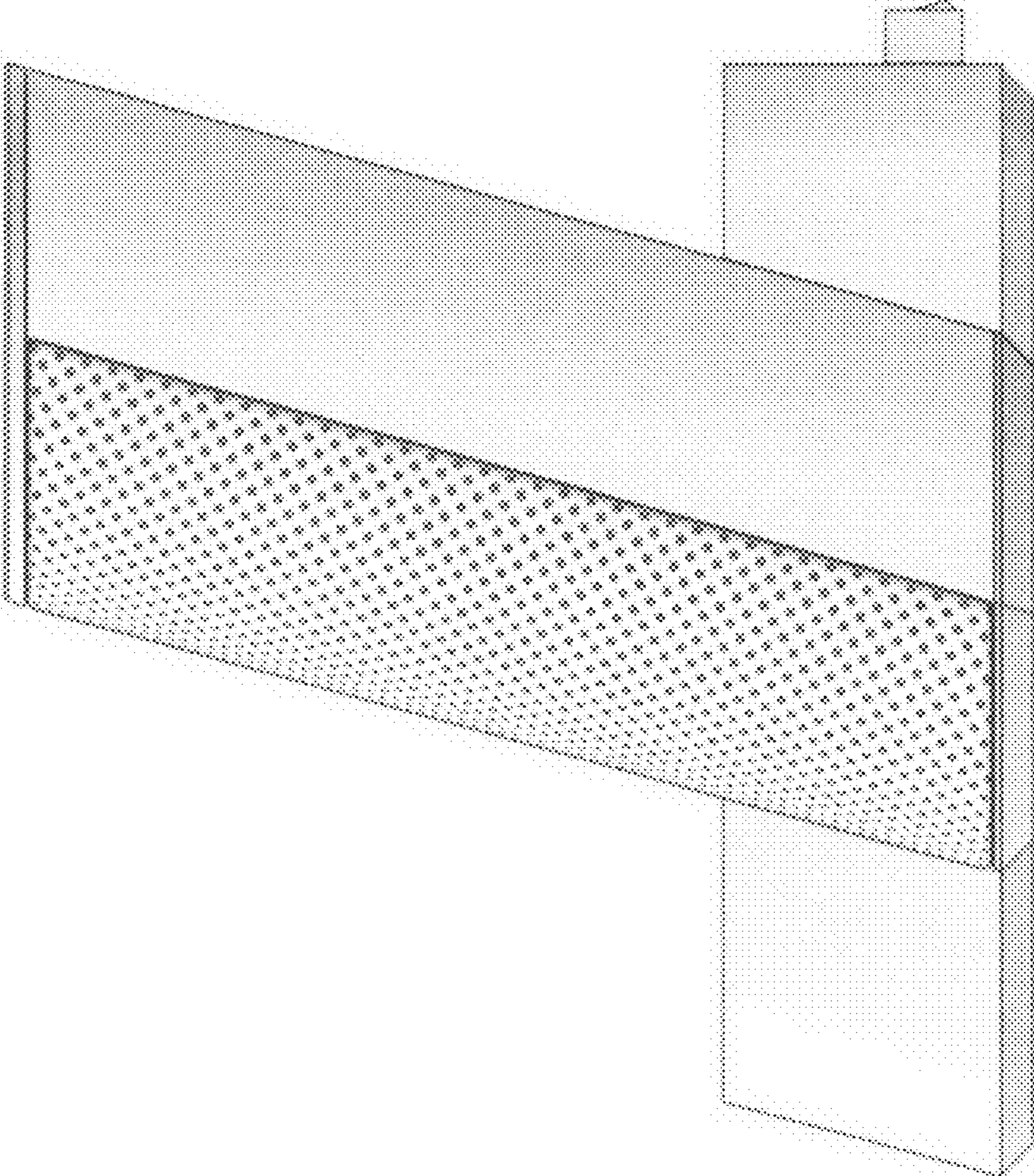


Fig. 6

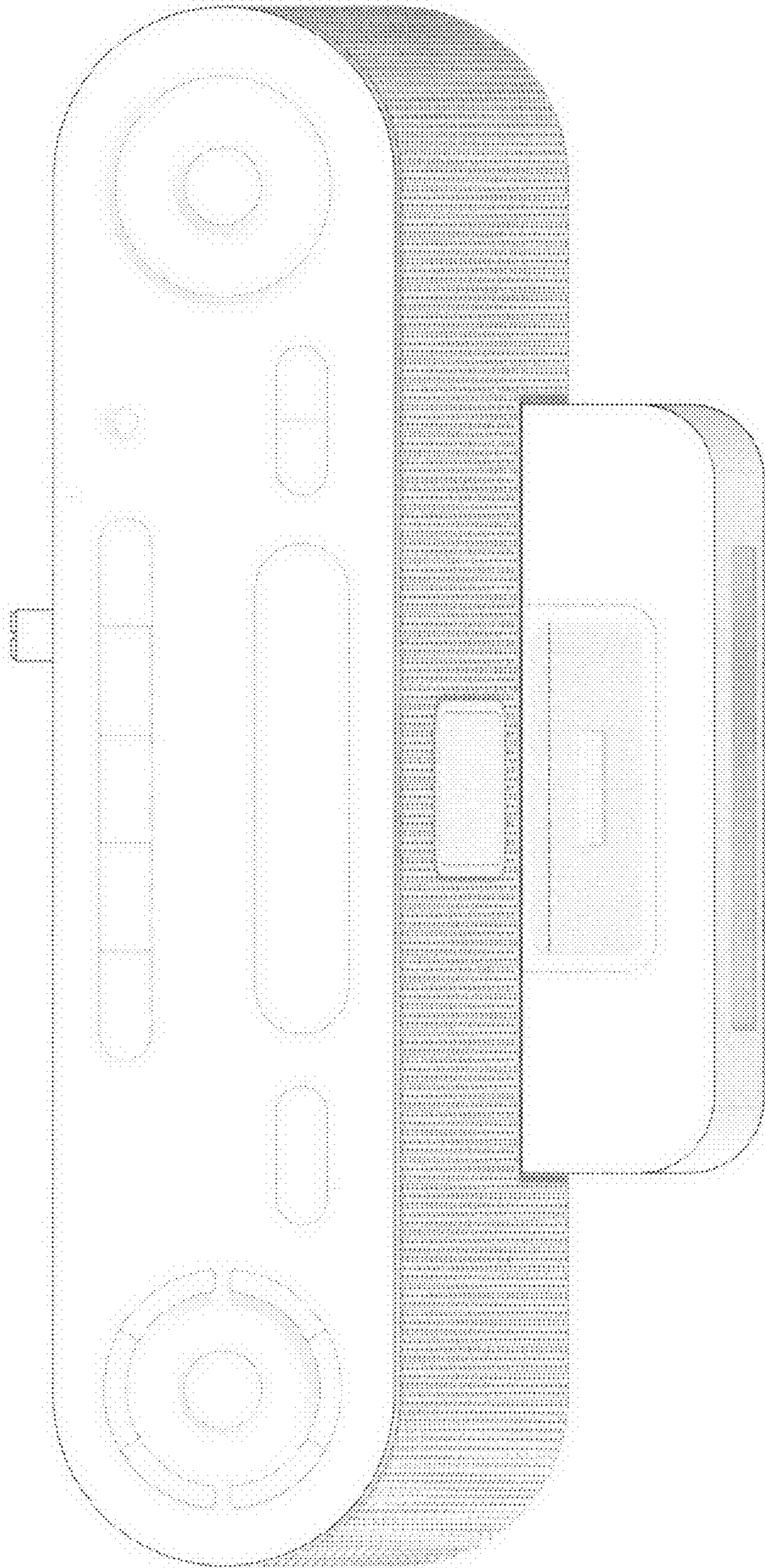


Fig.7

