



US00D577000S

(12) **United States Design Patent**
Nakajima

(10) **Patent No.:** **US D577,000 S**

(45) **Date of Patent:** **** Sep. 16, 2008**

(54) **VOICE RECORDING/REPRODUCING
DEVICE**

(75) Inventor: **Kenzo Nakajima**, Hachioji (JP)

(73) Assignee: **Olympus Imaging Corp.**, Tokyo (JP)

(**) Term: **14 Years**

(21) Appl. No.: **29/292,563**

(22) Filed: **Oct. 16, 2007**

Related U.S. Application Data

(62) Division of application No. 29/270,717, filed on Dec. 29, 2006.

(30) **Foreign Application Priority Data**

Dec. 12, 2006 (JP) 2006-034155
Dec. 12, 2006 (JP) 2006-034156

(51) **LOC (8) Cl.** **14-01**

(52) **U.S. Cl.** **D14/167**

(58) **Field of Classification Search** D14/167,
D14/154, 168, 188, 496, 156, 160, 161, 162,
D14/163, 164, 165, 192, 230; D16/208;
D26/38; D13/168; D9/432, 435, 449, 636,
D9/417; 206/406; 220/254.2; 229/407;
345/156

See application file for complete search history.

(56) **References Cited**

U.S. PATENT DOCUMENTS

2,029,662 A * 2/1936 Kernen 206/557

(Continued)

Primary Examiner—Cathron Brooks

Assistant Examiner—Austin Murphy

(74) *Attorney, Agent, or Firm*—Straub and Pokotylo; John C. Pokotylo

(57) **CLAIM**

The ornamental design for a voice recording/reproducing device, as shown and described.

DESCRIPTION

FIG. 1 is a front, top and right side perspective view of a voice recording/reproducing device showing my new design, in which the portion shown with solid lines is the one for which the design patent is sought, and the portion shown with dotted lines is the one for which the design patent is not sought;

FIG. 2 is a front elevational view thereof, in which the portion shown with solid lines is the one for which the design patent is sought, and the portion shown with dotted lines is the one for which the design patent is not sought;

FIG. 3 is a rear elevational view thereof, in which the portion shown with solid lines is the one for which the design patent is sought, and the portion shown with dotted lines is the one for which the design patent is not sought;

FIG. 4 is a top plan view thereof, in which the portion shown with solid lines is the one for which the design patent is sought, and the portion shown with dotted lines is the one for which the design patent is not sought;

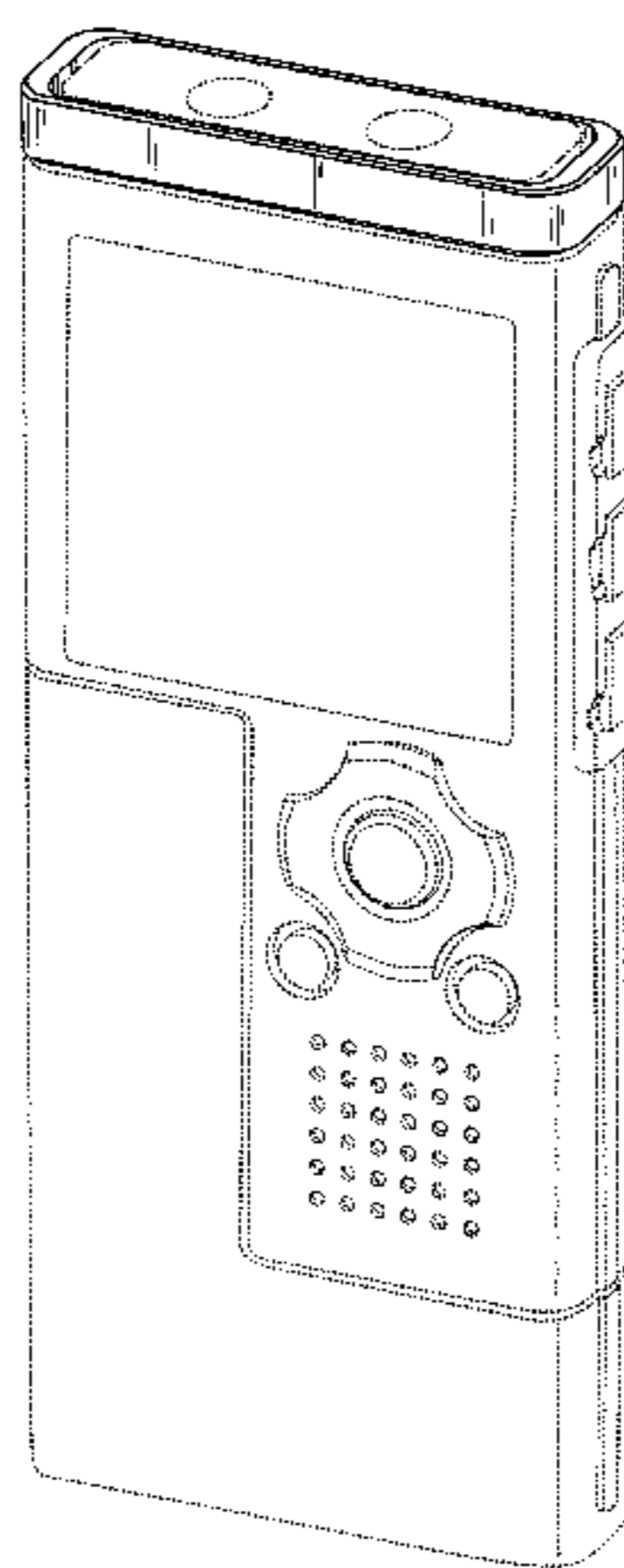
FIG. 5 is a bottom plan view thereof, in which the portion shown with solid lines is the one for which the design patent is sought, and the portion shown with dotted lines is the one for which the design patent is not sought;

FIG. 6 is a left side elevational view thereof, in which the portion shown with solid lines is the one for which the design patent is sought, and the portion shown with dotted lines is the one for which the design patent is not sought; and,

FIG. 7 is a right side elevational view thereof, in which the portion shown with solid lines is the one for which the design patent is sought, and the portion shown with dotted lines is the one for which the design patent is not sought.

The dashed-dot-dashed-dot broken lines shown in FIGS. 1 and 4 represent the bounds of the claim and all other broken lines are for illustrative purposes only. None of the broken lines form part of the claimed design.

1 Claim, 5 Drawing Sheets



US D577,000 S

Page 2

U.S. PATENT DOCUMENTS

D194,429 S *	1/1963	Kuhn	D11/156	D464,884 S *	10/2002	Sumpmann et al.	D9/432
D263,879 S *	4/1982	Mann	D24/144	D484,409 S *	12/2003	Haggerty et al.	D9/432
D271,554 S *	11/1983	Grusin	D7/392.1	D491,065 S *	6/2004	Solowiejko et al.	D9/449
D275,754 S *	10/1984	Matsuda et al.	D14/218	D494,469 S *	8/2004	Solowiejko	D9/435
D278,207 S *	4/1985	McLaughlin	D3/203.2	D495,256 S *	8/2004	Solowiejko	D9/449
D283,399 S *	4/1986	Forbes, Jr.	D9/416	D496,003 S *	9/2004	Spira	D13/168
D285,413 S *	9/1986	Carlson	D7/703	D506,612 S *	6/2005	Rosa et al.	D3/301
D293,298 S *	12/1987	Picard et al.	D9/636	D520,871 S *	5/2006	Geisselbrecht et al.	D9/435
4,899,925 A *	2/1990	Bowden et al.	229/407	D521,379 S *	5/2006	Geisselbrecht et al.	D9/435
D311,740 S *	10/1990	Wagner	D14/358	D525,948 S *	8/2006	Blair et al.	D13/168
D330,165 S *	10/1992	Brochu et al.	D9/435	D531,028 S *	10/2006	Weiss et al.	D9/435
D335,896 S *	5/1993	Evenson	D19/83	D536,695 S *	2/2007	Griffin	D14/230
D341,569 S *	11/1993	Prins et al.	D13/168	D536,962 S *	2/2007	Tanner	D9/424
D356,497 S *	3/1995	Zimmerman	D9/435	D554,502 S *	11/2007	Hoffman et al.	D9/432
D373,317 S *	9/1996	Feng et al.	D10/104	D557,666 S *	12/2007	Schroter	D13/168
D374,693 S *	10/1996	Osborne	D21/513	D561,047 S *	2/2008	Shields	D9/730
D385,787 S *	11/1997	Takano et al.	D9/432	D562,131 S *	2/2008	Wichowski	D9/440
D434,012 S *	11/2000	Krieser, Sr.	D13/168	2004/0125078 A1 *	7/2004	Nishimori et al.	345/156
6,422,411 B1 *	7/2002	Gray	220/254.2					

* cited by examiner

FIG. 1

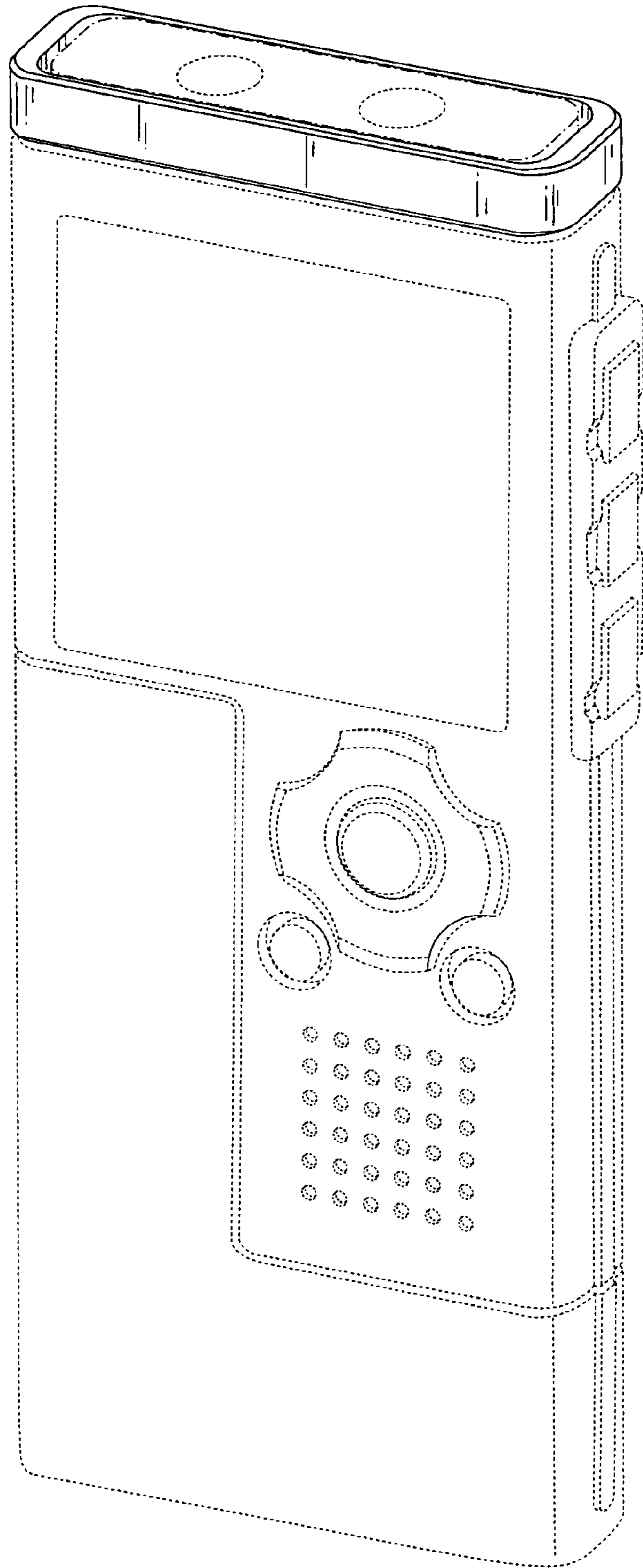


FIG.2

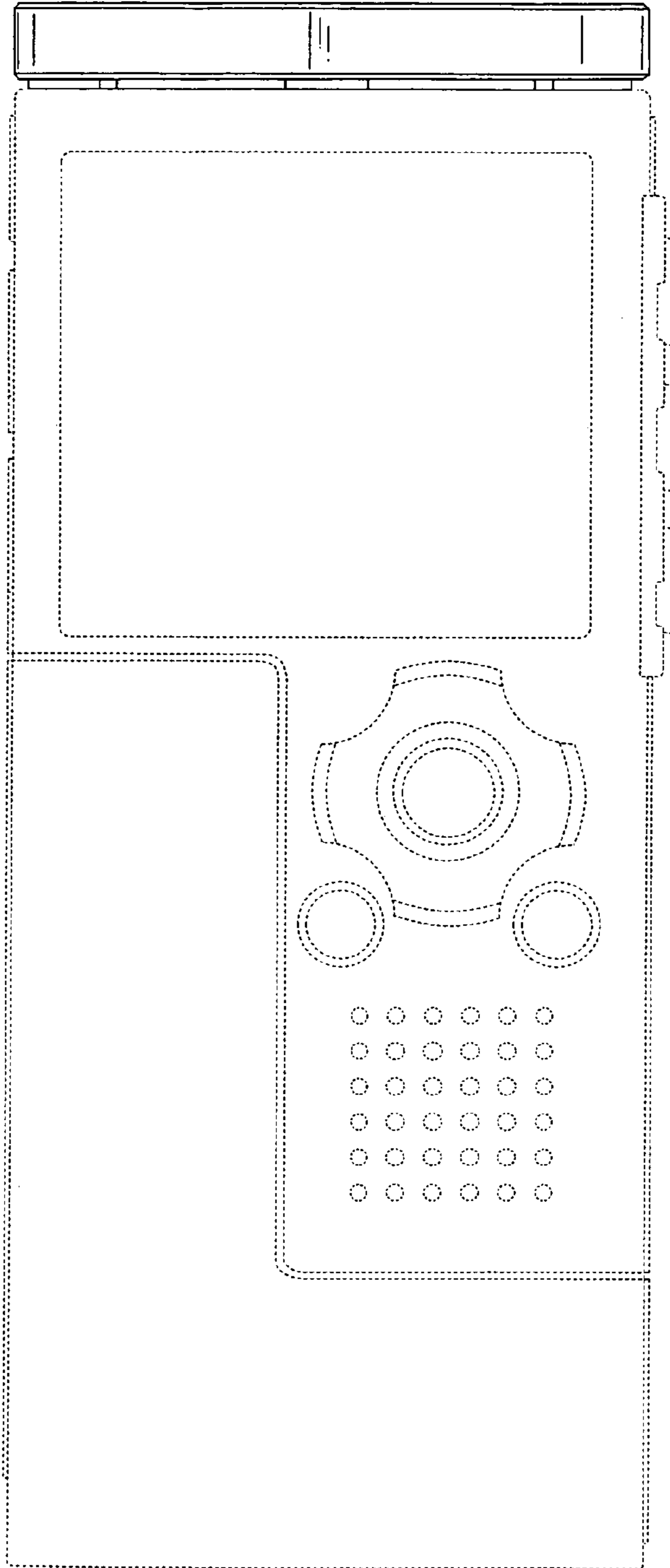


FIG.3

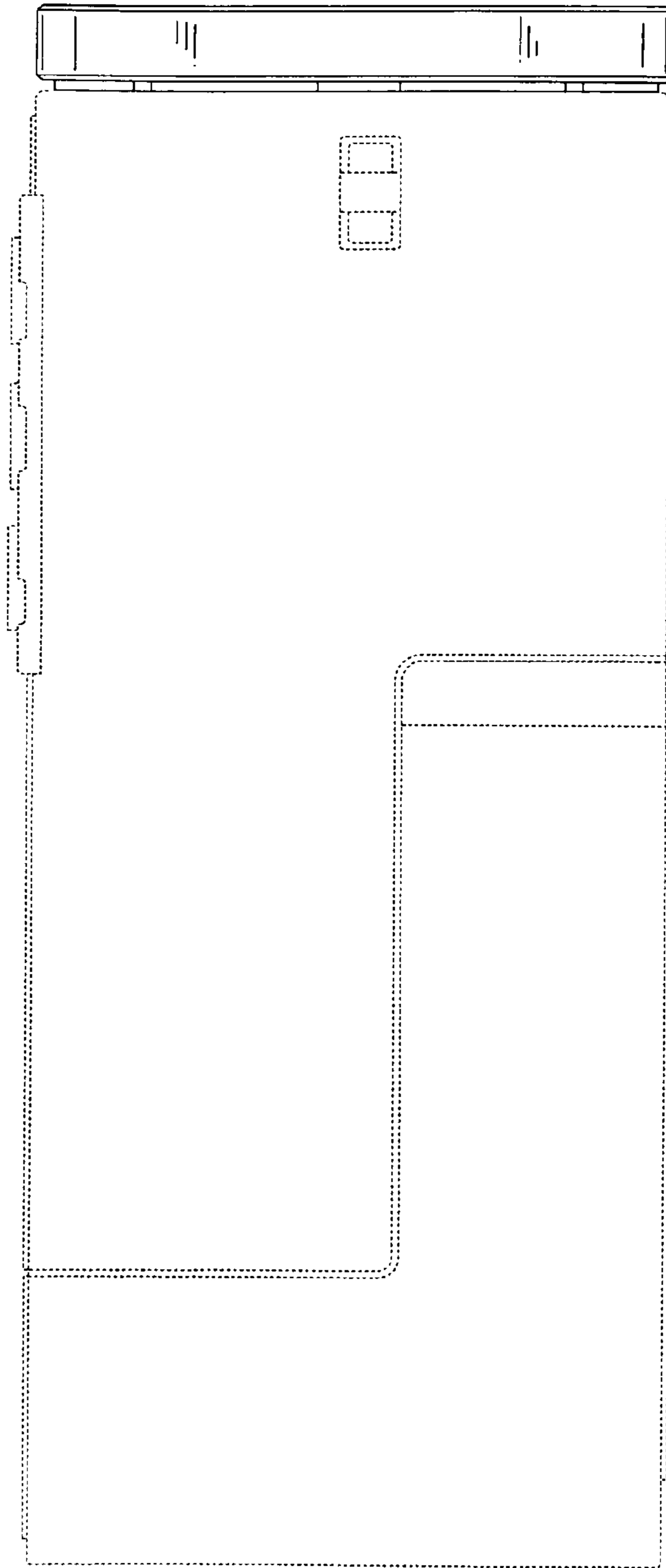


FIG.4

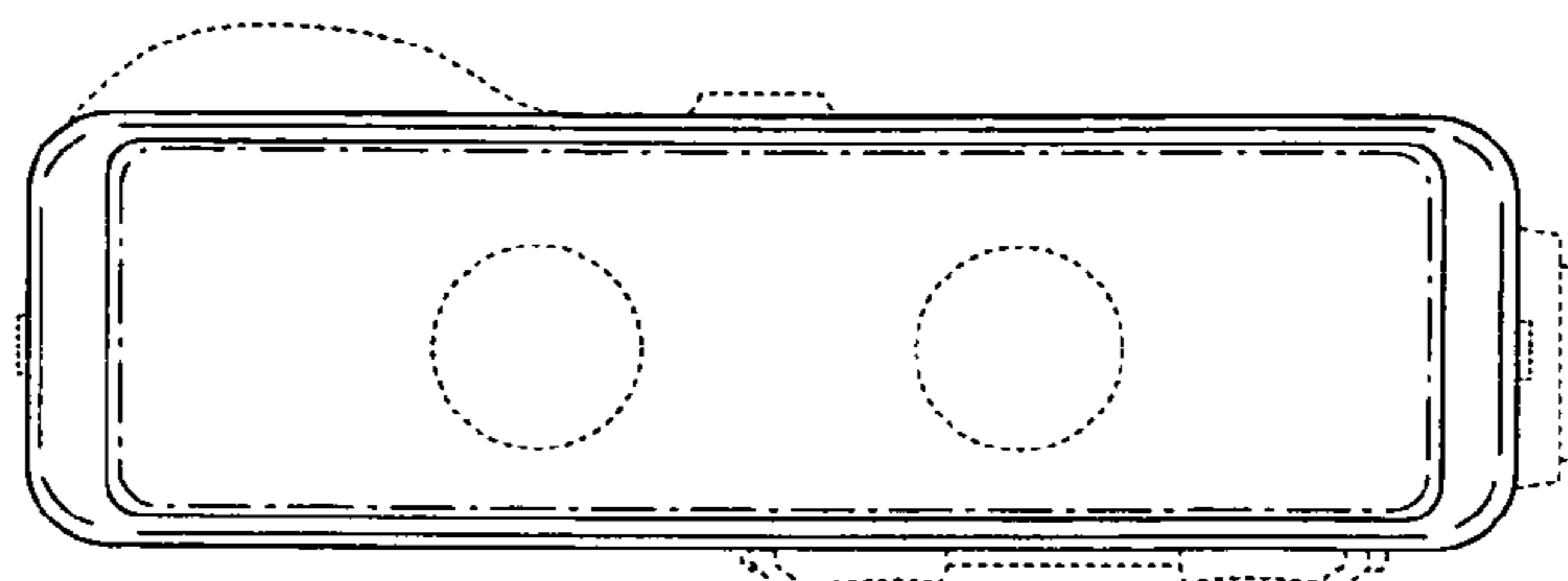


FIG.5

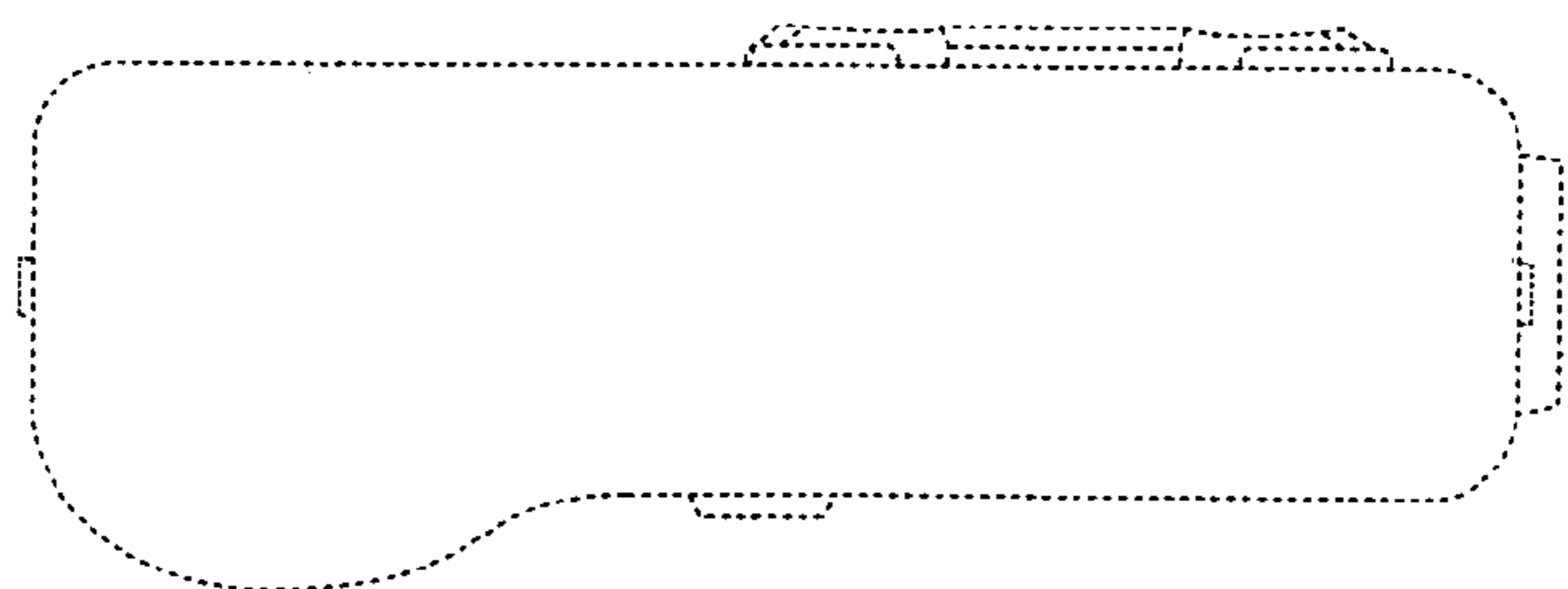


FIG. 6

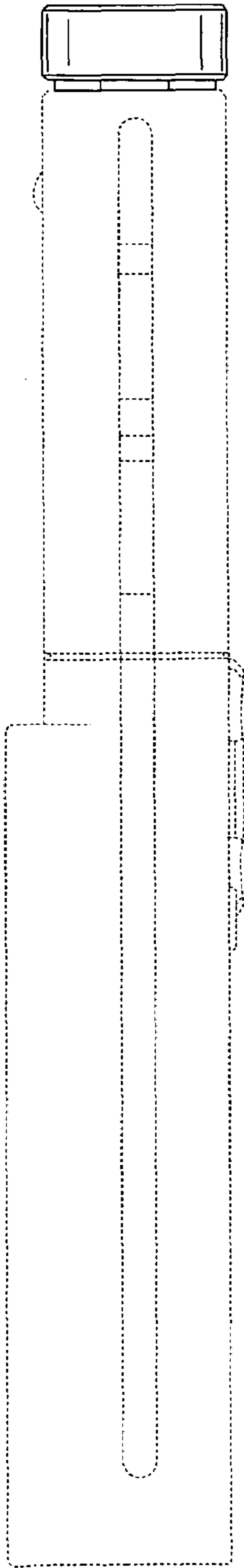


FIG. 7

