



US00D576999S

(12) **United States Design Patent**  
**Töfflinger**

(10) **Patent No.:** **US D576,999 S**

(45) **Date of Patent:** **\*\* Sep. 16, 2008**

(54) **DICTIONATION RECORDING DEVICE AND DOCKING STATION**

(75) Inventor: **Frank Töfflinger**, Baldham (DE)

(73) Assignee: **GBS Holding GmbH**, Baldhem (DE)

(\*\*) Term: **14 Years**

(21) Appl. No.: **29/261,680**

(22) Filed: **Jun. 16, 2006**

(51) **LOC (8) Cl.** ..... **14-01**

(52) **U.S. Cl.** ..... **D14/154; D14/168**

(58) **Field of Classification Search** ..... D14/135–136,  
D14/154–156, 167–168, 217, 496, 157–158;  
360/99.02, 99.07; 369/75.11, 75.21, 77.21,  
369/77.11; 720/612, 619, 647, 655; 455/344,  
455/347–351

See application file for complete search history.

(56) **References Cited**

**U.S. PATENT DOCUMENTS**

D426,537 S *	6/2000	Swinney	.....	D14/154
D473,203 S *	4/2003	Enos et al.	.....	D14/158
D473,204 S *	4/2003	Tanio	.....	D14/168
D506,740 S *	6/2005	Ashfield	.....	D14/167
D506,741 S *	6/2005	Juszkiewicz et al.	.....	D14/167

\* cited by examiner

*Primary Examiner*—Nanda Bondade

(74) *Attorney, Agent, or Firm*—RatnerPrestia

(57) **CLAIM**

The ornamental design for a dictation recording device and docking station, as shown and described.

**DESCRIPTION**

FIG. 1 is a front perspective view of a dictation recording device and docking station showing my new design;

FIG. 2 is rear elevational view of the dictation recording device of FIG. 1, shown separately for clarity of illustration;

FIG. 3 is a left side elevational view of FIG. 1;

FIG. 4 is a front elevational view of FIG. 1;

FIG. 5 is a right side elevational view of FIG. 1;

FIG. 6 is a top plan view of FIG. 1;

FIG. 7 is a rear elevational view of FIG. 1;

FIG. 8 is a left side elevational view of FIG. 2;

FIG. 9 is a front elevational view of FIG. 2;

FIG. 10 is a right side elevational view of FIG. 2;

FIG. 11 is a perspective view of FIG. 2;

FIG. 12 is a top plan view of FIG. 2;

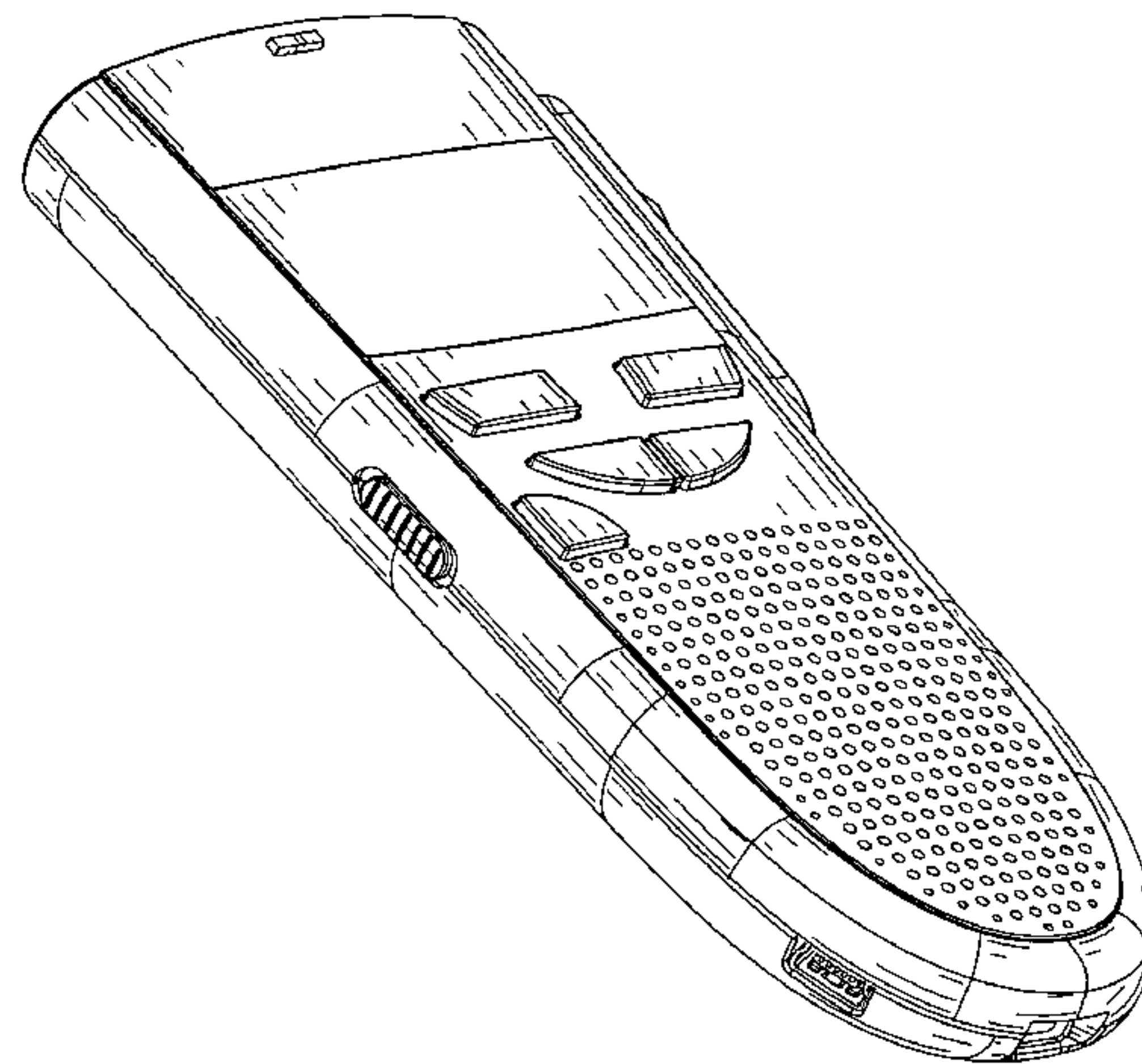
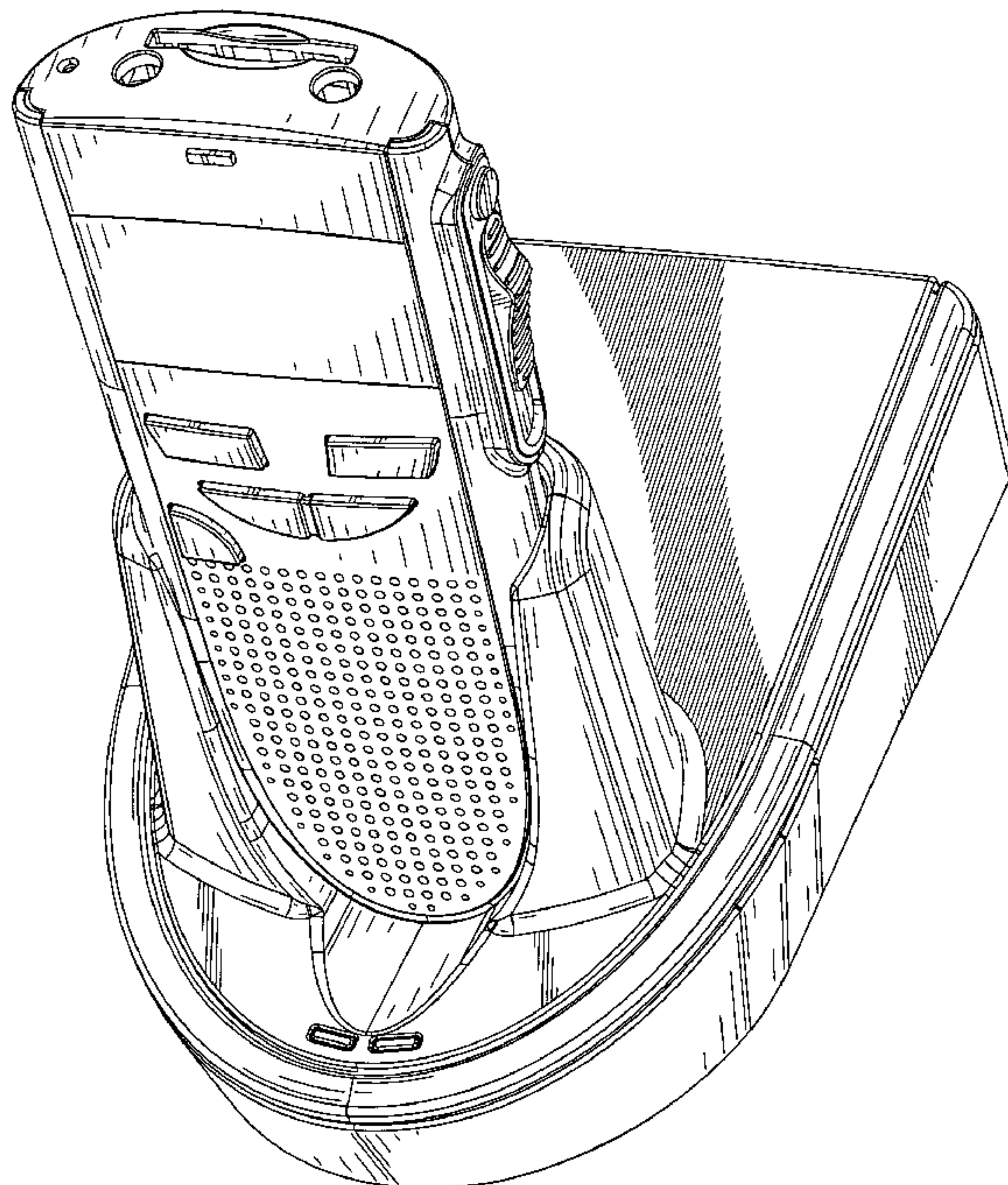
FIG. 13 is a top right perspective view of FIG. 2;

FIG. 14 is a top plan view of a second embodiment of FIG. 12;

FIG. 15 is a left side elevational view of FIG. 14; and,

FIG. 16 is a right side elevational view of FIG. 14.

**1 Claim, 13 Drawing Sheets**



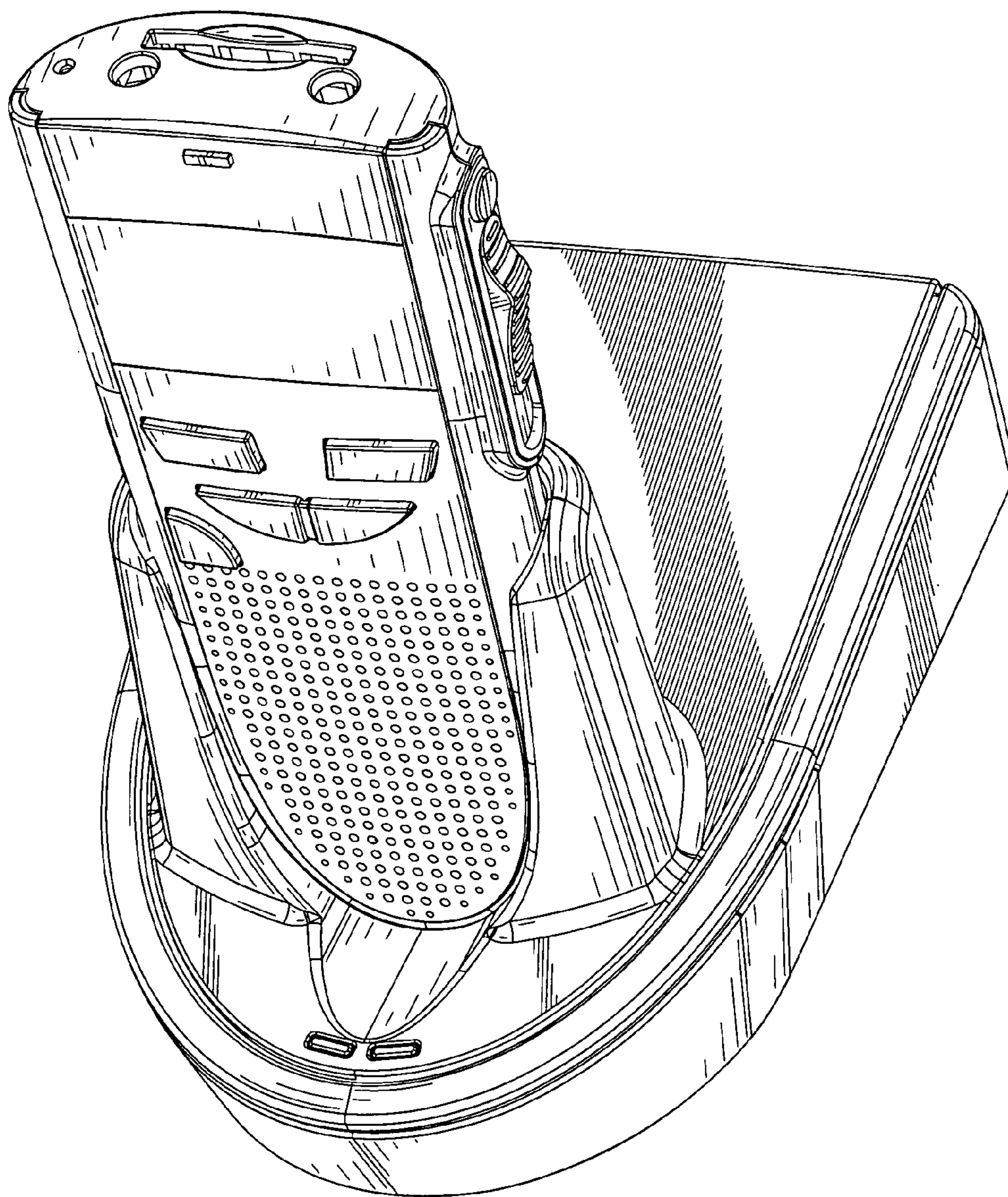


FIG. 1

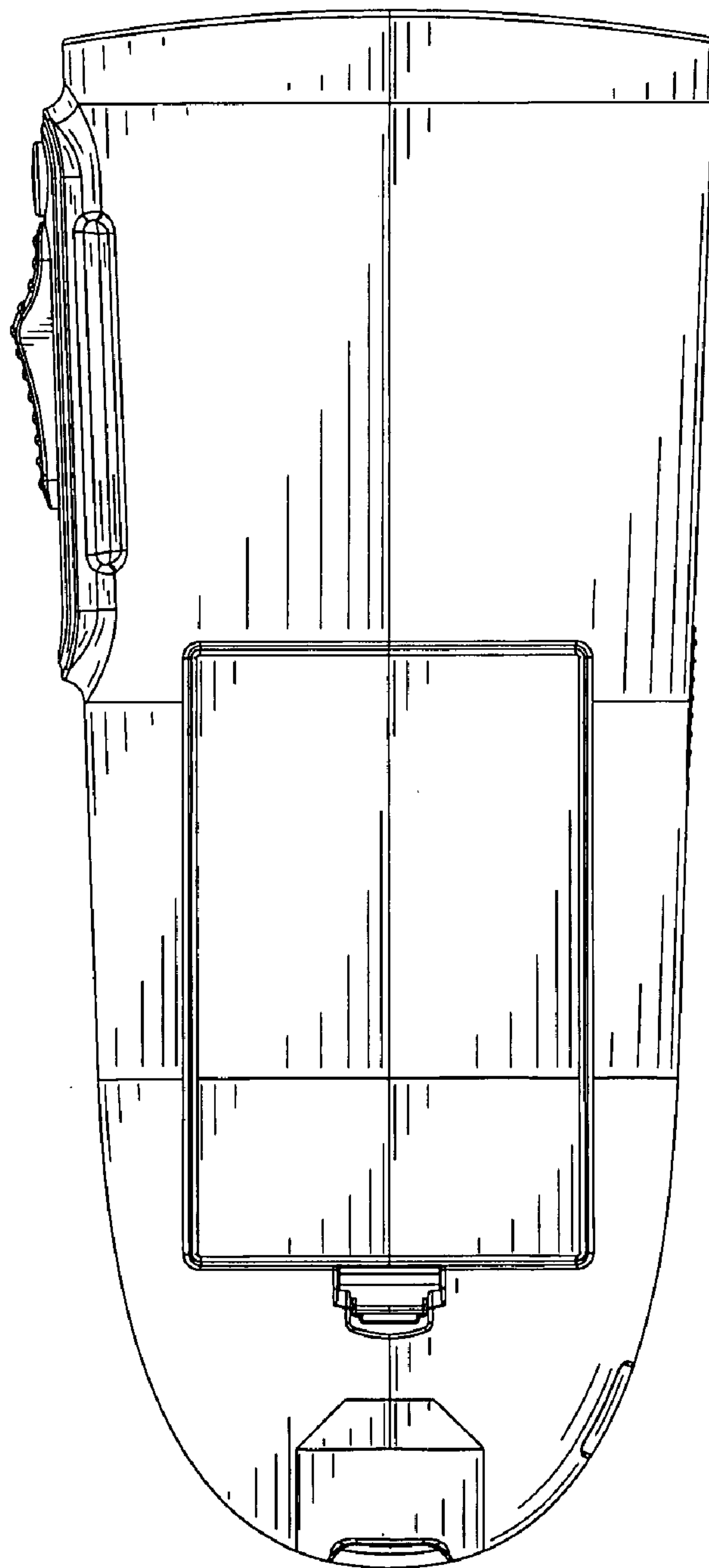


FIG. 2



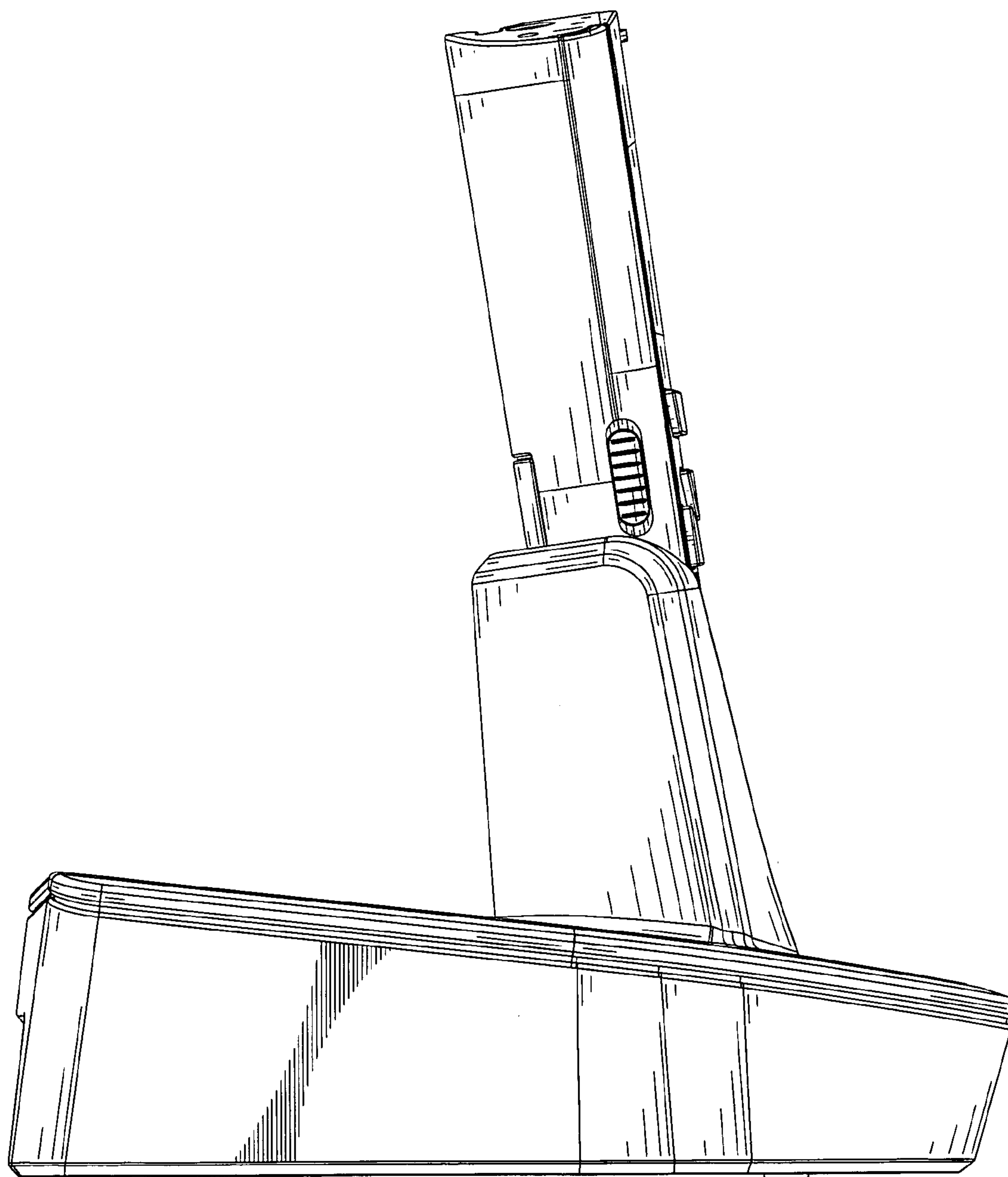


FIG. 3

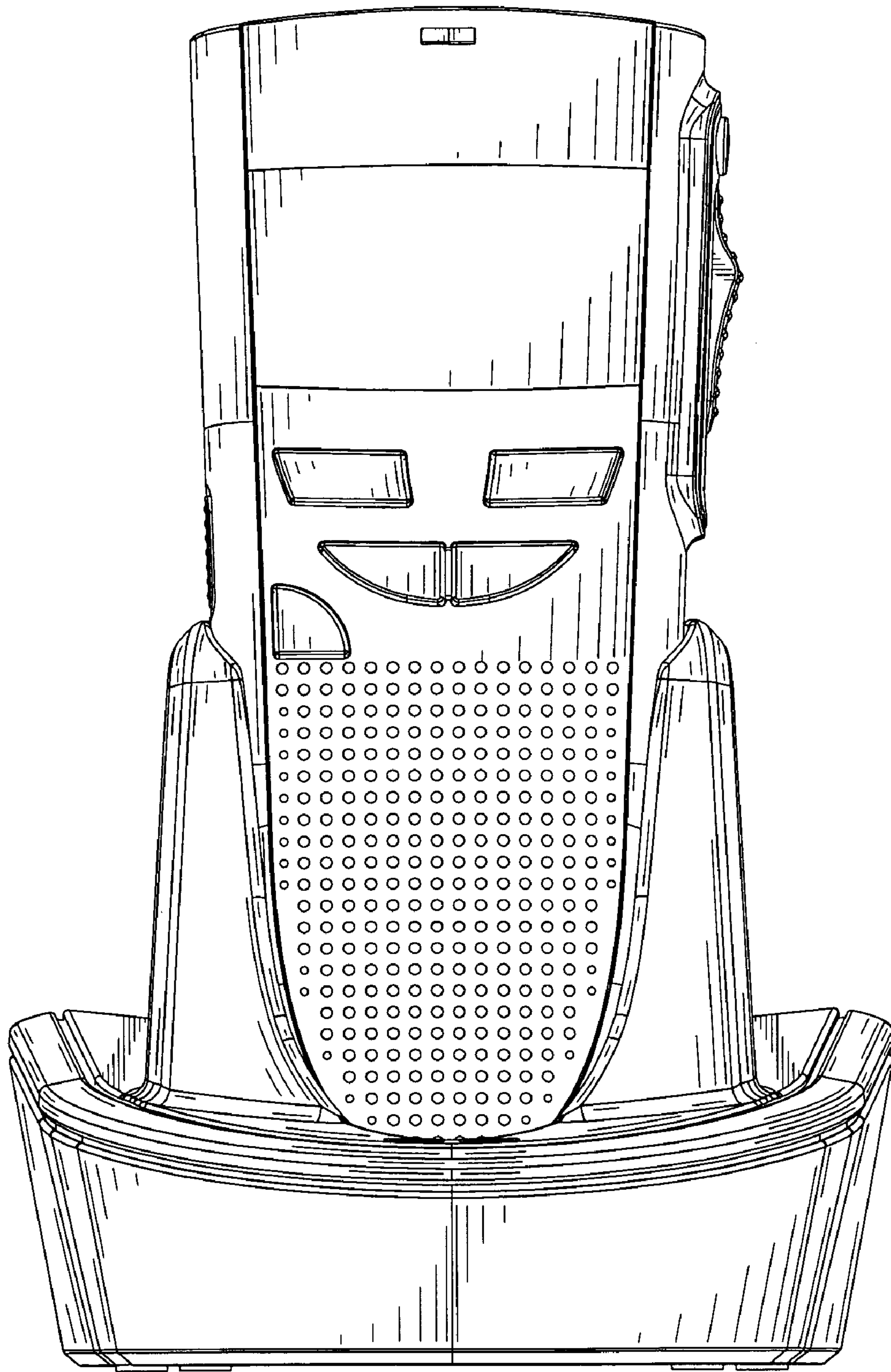


FIG. 4

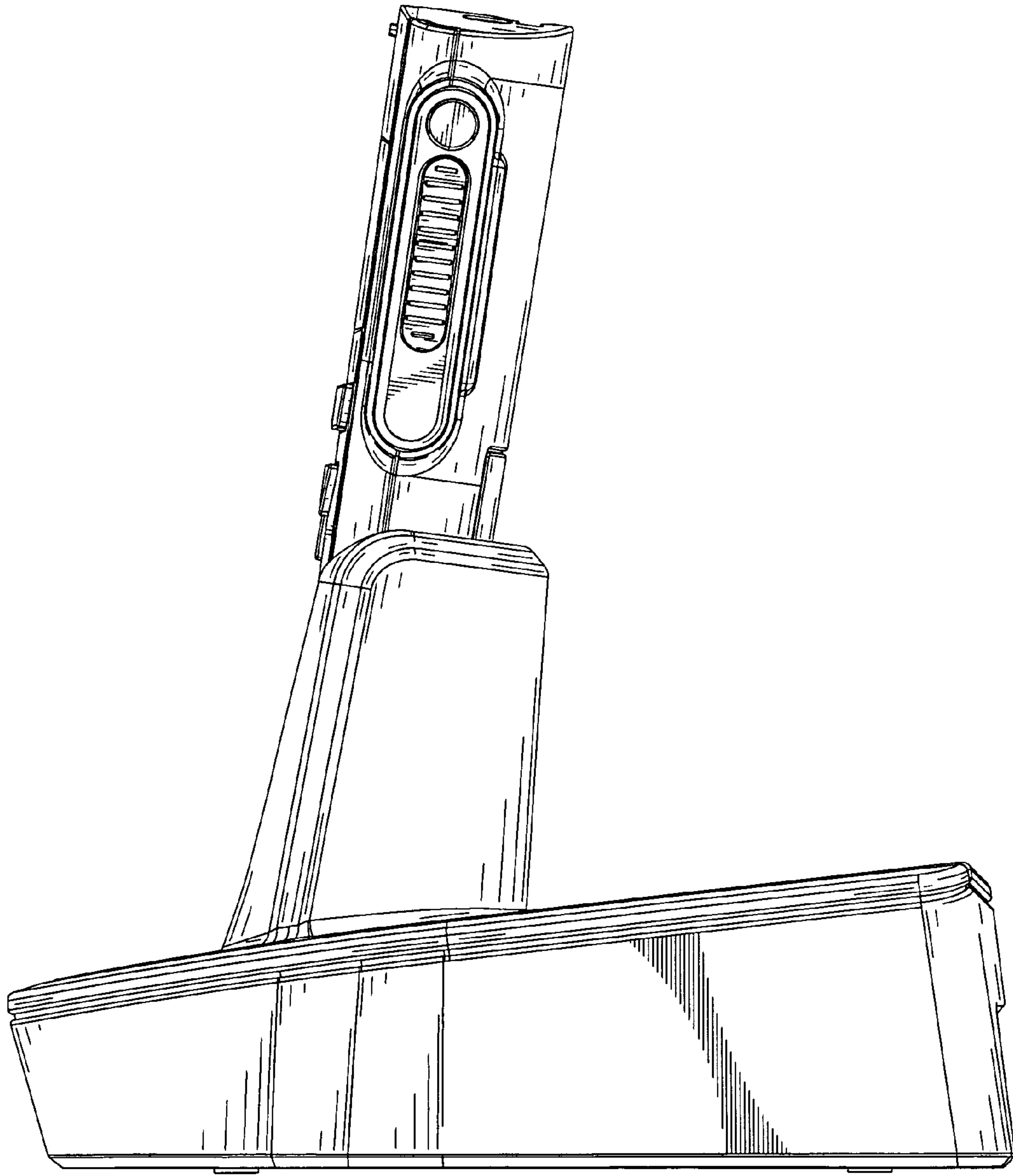


FIG. 5

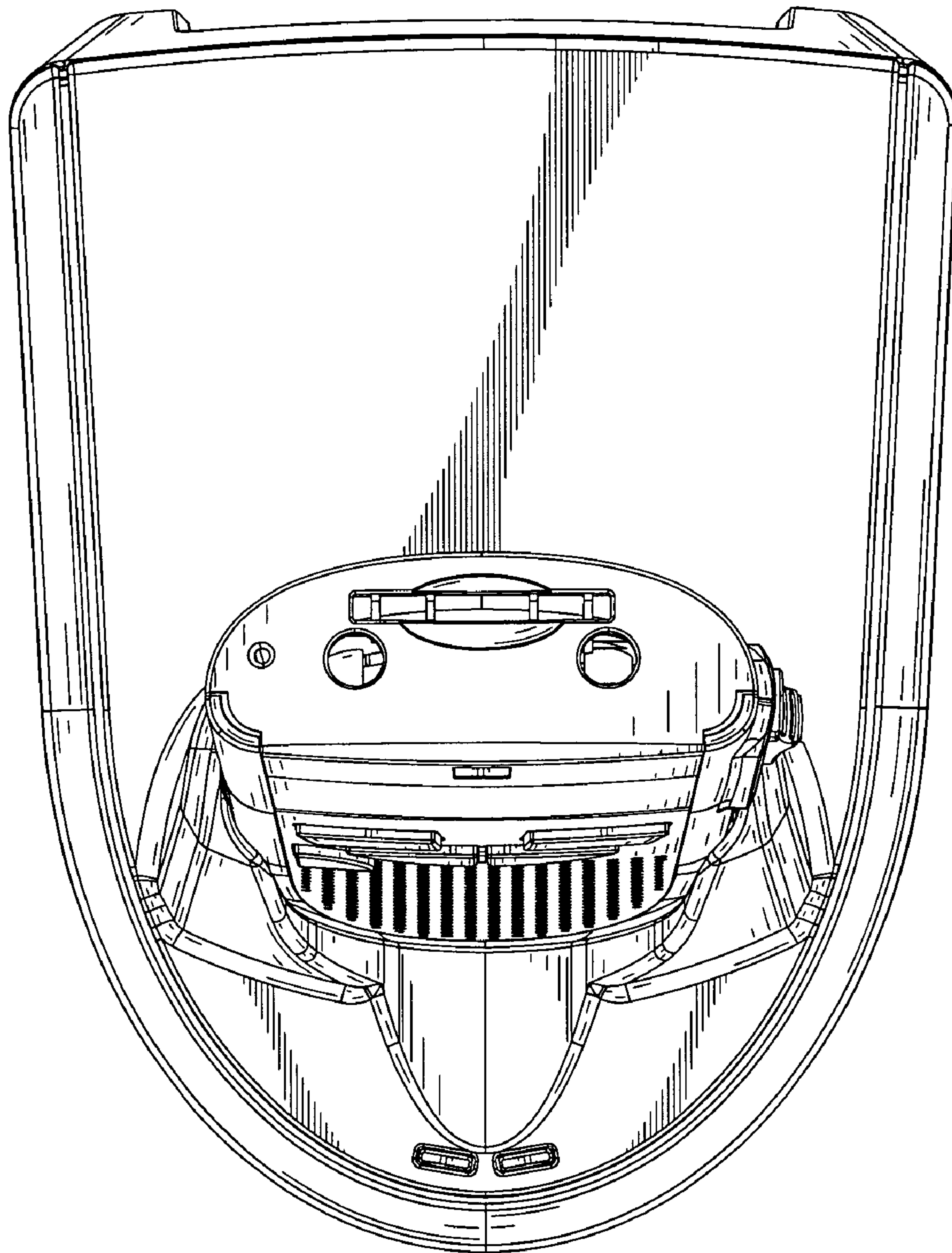


FIG. 6

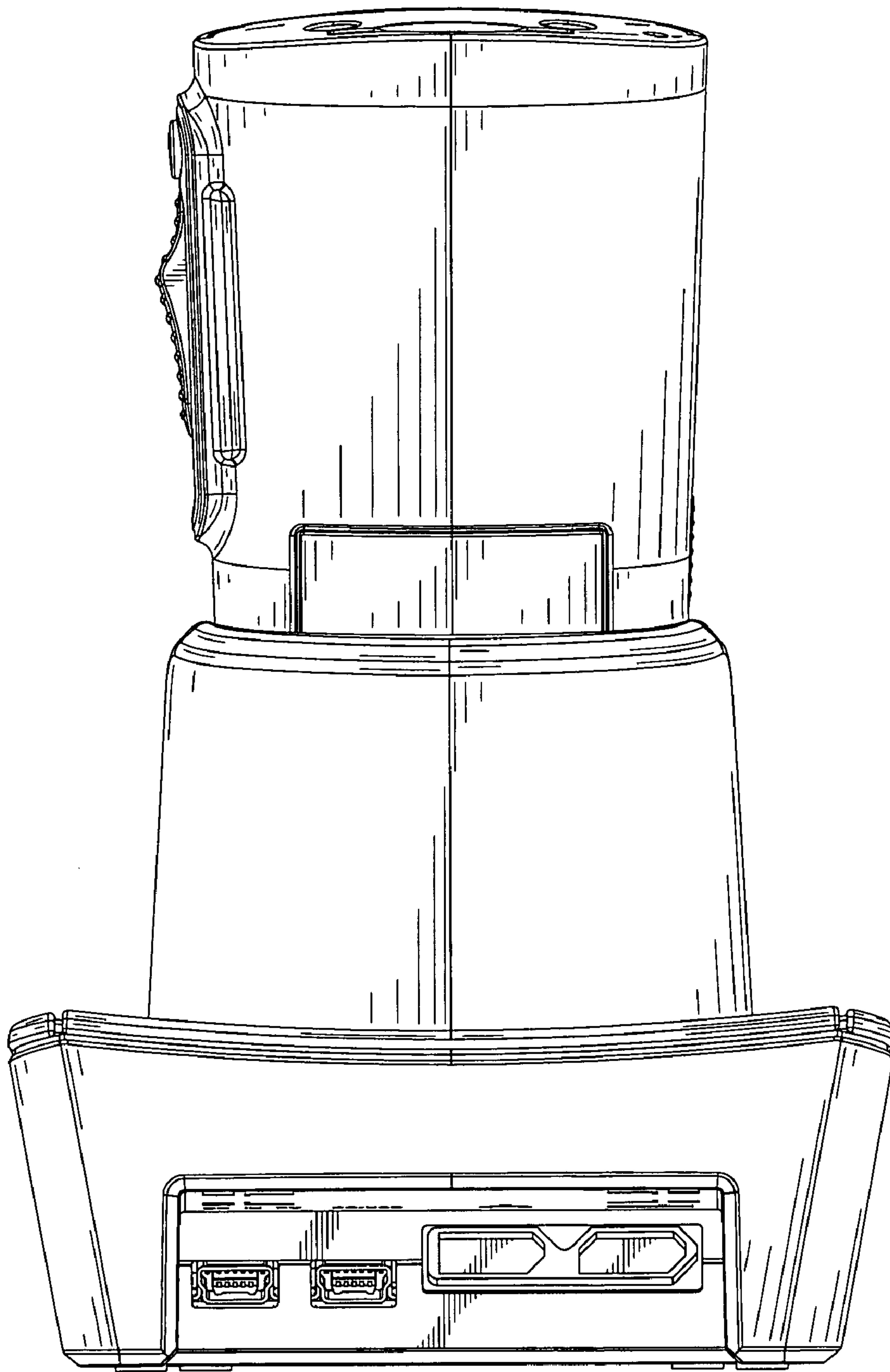


FIG. 7



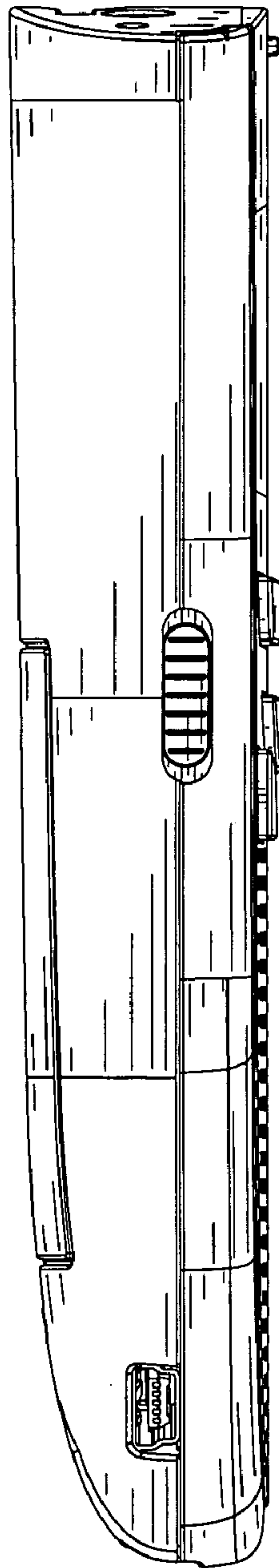


FIG. 8

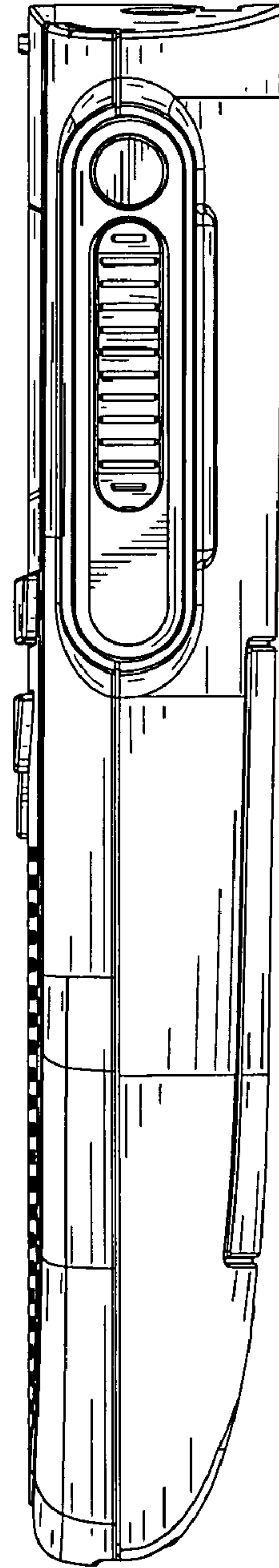


FIG. 10

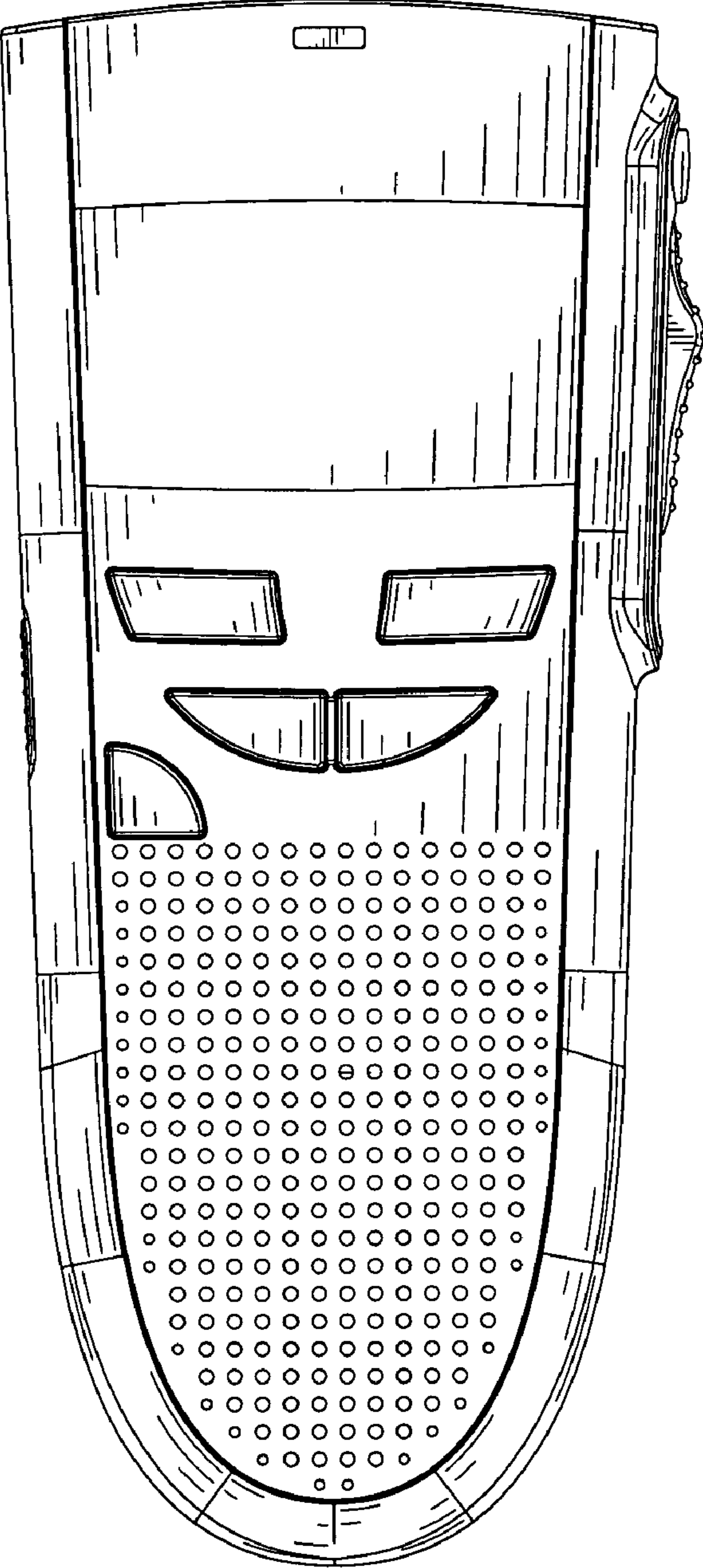


FIG. 9

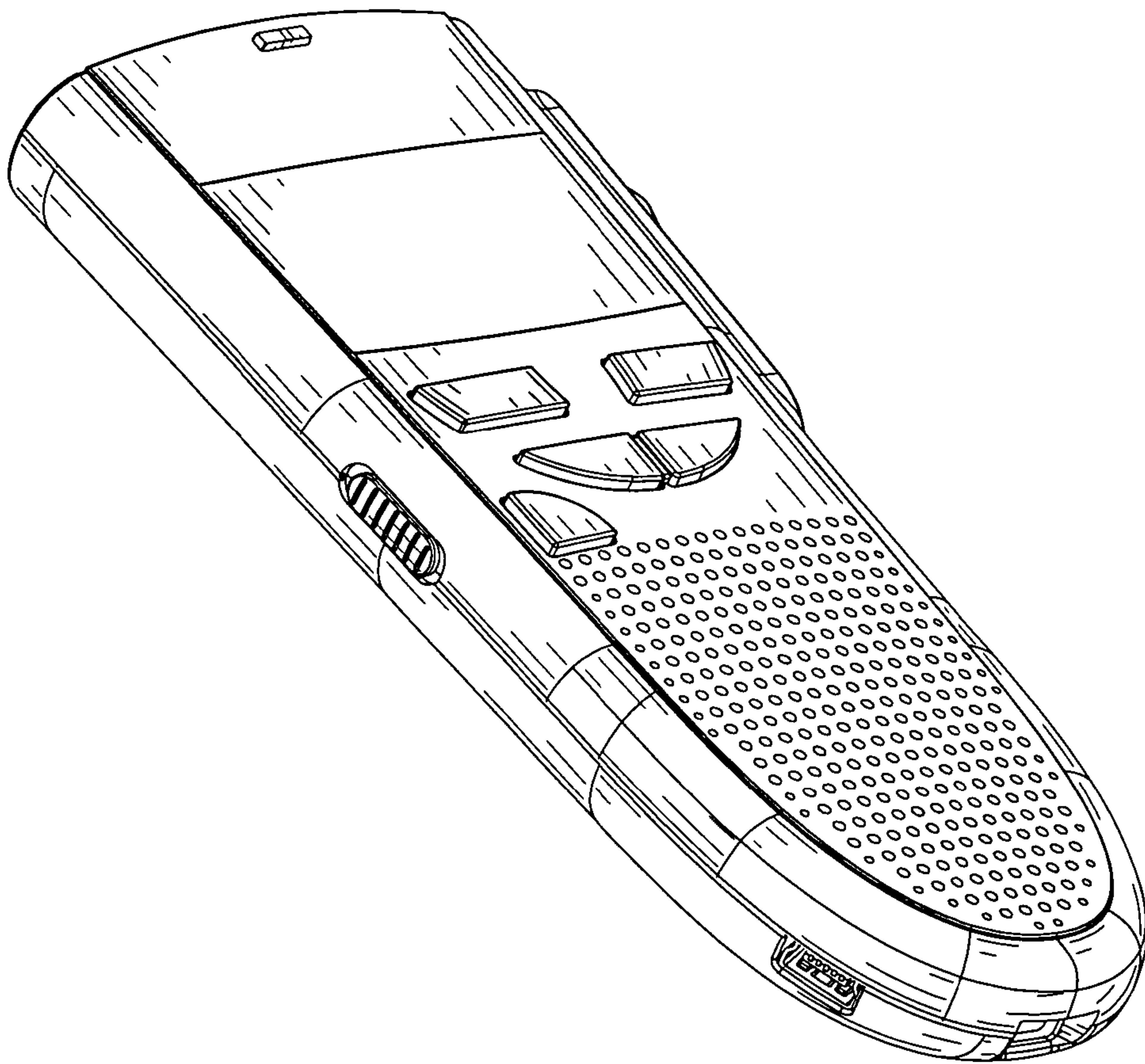


FIG. 11

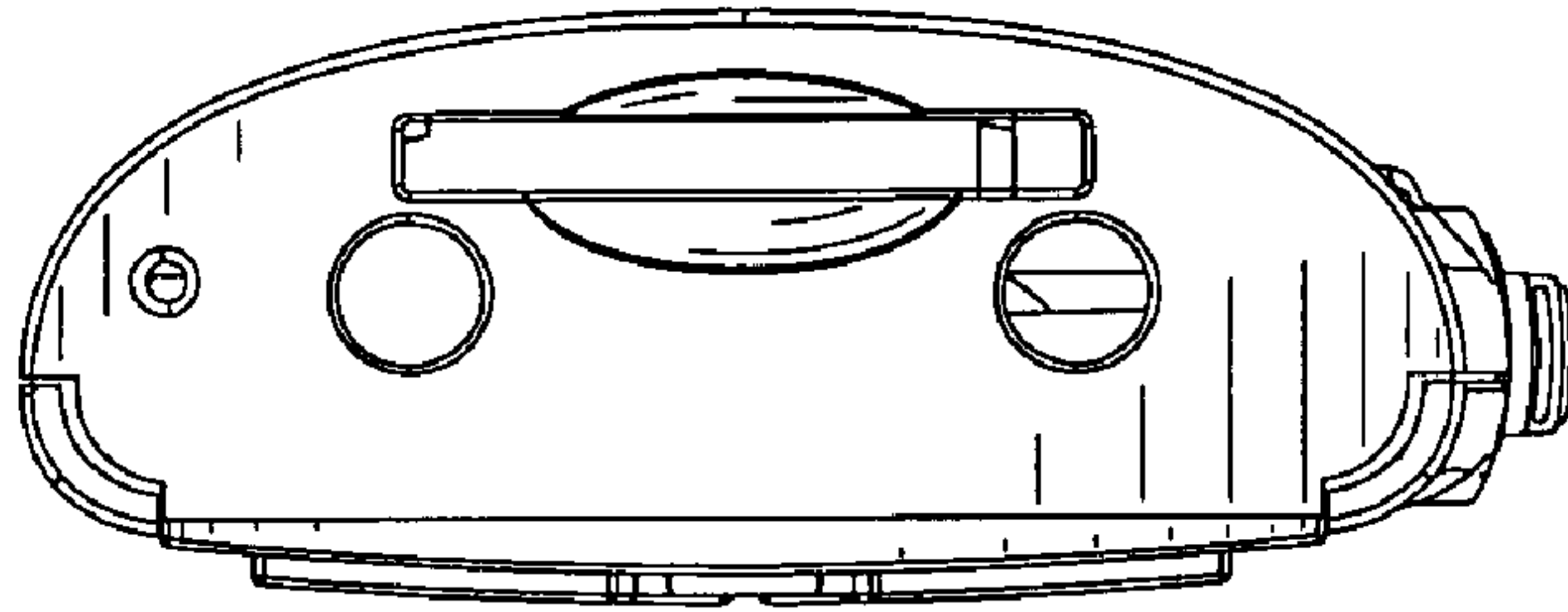


FIG. 12

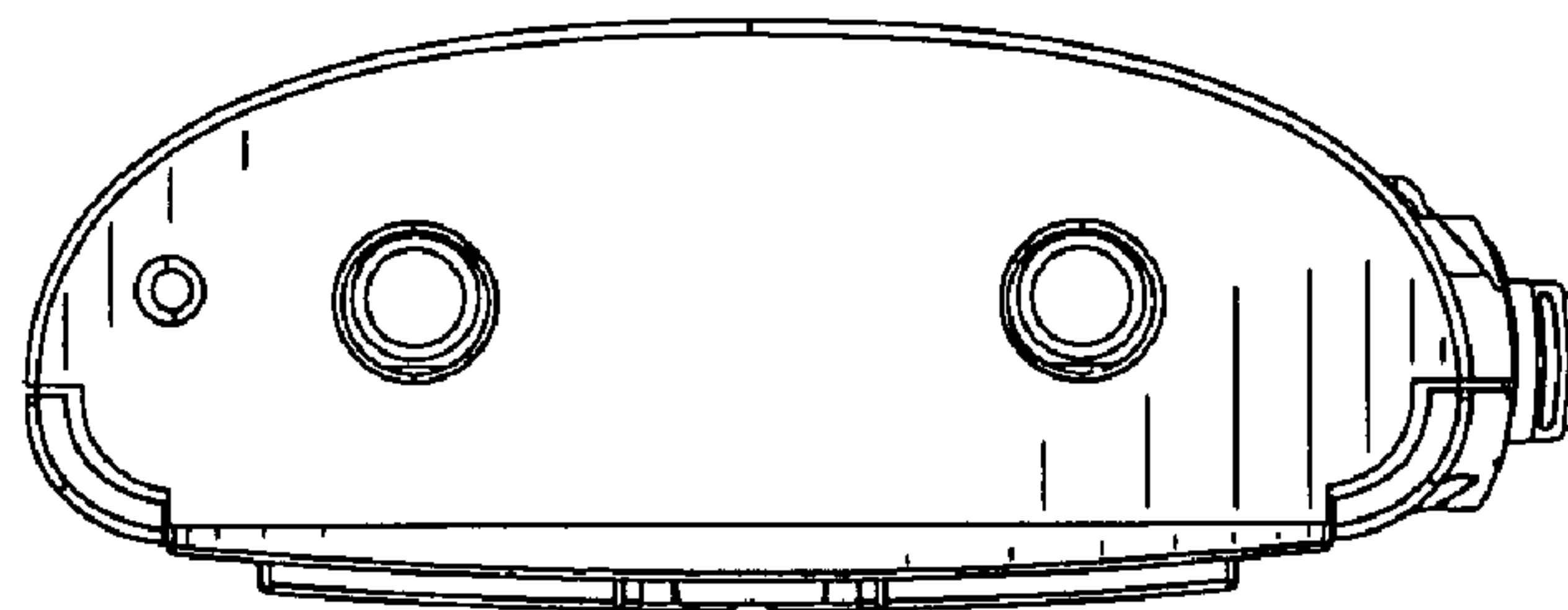


FIG. 14



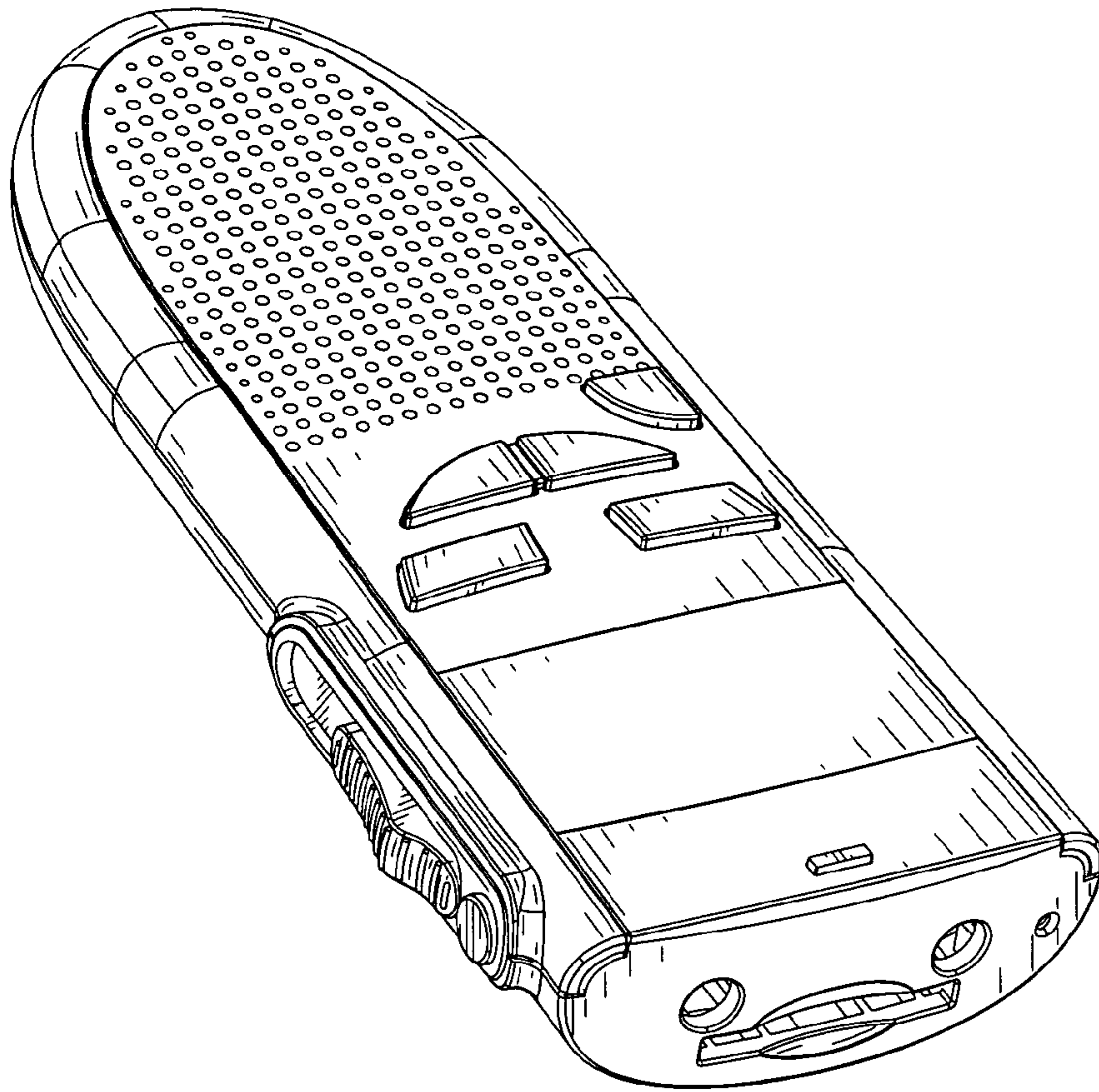


FIG. 13

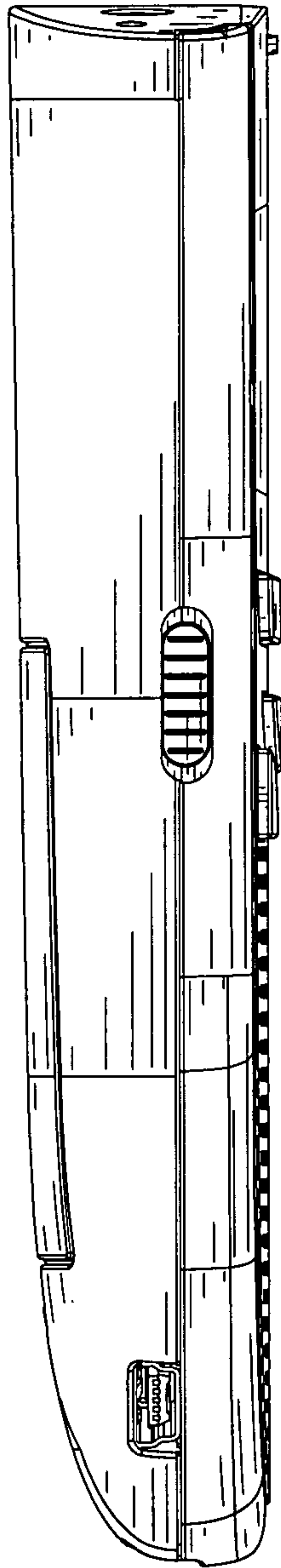


FIG. 15

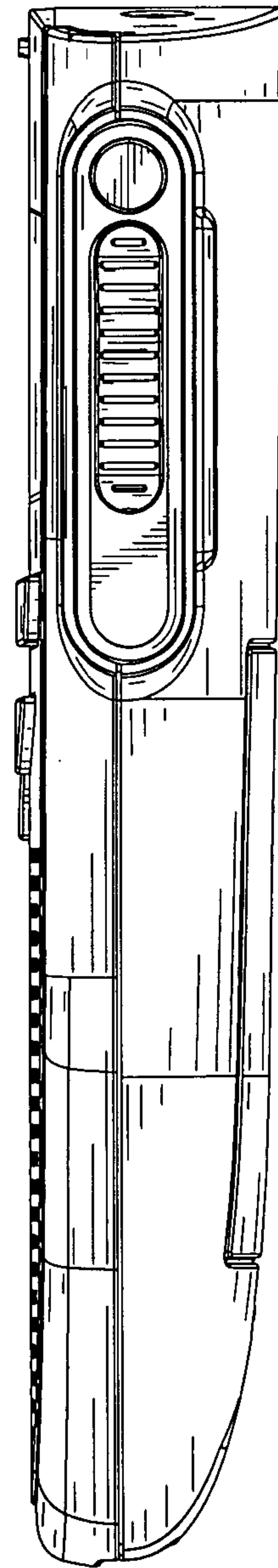


FIG. 16