



US00D576998S

(12) **United States Design Patent**
Furuno

(10) **Patent No.:** **US D576,998 S**
(45) **Date of Patent:** **** Sep. 16, 2008**

(54) **TELEPHONE BASE UNIT**

D562,303 S * 2/2008 Beasley et al. D14/151
D570,324 S * 6/2008 Furuno et al. D14/149
D571,777 S * 6/2008 Waterman et al. D14/151

(75) Inventor: **Masashi Furuno**, Kadoma (JP)

(73) Assignee: **Matsushita Electric Industrial Co., Ltd.**, Osaka (JP)

(**) Term: **14 Years**

(21) Appl. No.: **29/299,239**

(22) Filed: **Dec. 20, 2007**

(51) **LOC (8) Cl.** **14-03**

(52) **U.S. Cl.** **D14/151**

(58) **Field of Classification Search** D14/125-130,
D14/136-137, 140-142, 147-151, 158-159,
D14/171, 188, 225-226, 240, 243, 247, 251,
D14/253, 349, 356, 358, 434; 379/88.17,
379/90.01, 93.17, 387.01, 388.02, 419-420.04,
379/428.01-428.04, 434-436, 440, 446-447,
379/454-455; 381/16, 71.1; D13/107-108;
191/12.2 R; 320/108, 110, 113-115; 455/411,
455/550.1-90.3; 348/14.01-14.06

See application file for complete search history.

(56) **References Cited**

U.S. PATENT DOCUMENTS

D294,248 S * 2/1988 Richter et al. D14/151
5,121,427 A * 6/1992 Gumb et al. 379/435
D332,786 S 1/1993 Gagnon
D368,091 S * 3/1996 Yoshihiko et al. D14/151
D375,741 S * 11/1996 Mo D14/151
D394,259 S 5/1998 Langlois
D409,190 S * 5/1999 Tamura et al. D14/151
D413,120 S * 8/1999 Girardi et al. D14/151
D451,486 S * 12/2001 Sekiguchi D14/151
D463,390 S * 9/2002 Shen et al. D14/151
D464,636 S 10/2002 Shen et al.
D466,097 S * 11/2002 Geert D14/151
D556,180 S * 11/2007 Udagawa et al. D14/151

OTHER PUBLICATIONS

AT&T EP5632, <URL:http://www.101phones.com/details/7469-4252/ATT-5-8GHz-One-Handset-Cordless-Phones-EP5632.html>, retrieved from internet Jul. 3, 2008.*
Philips CD1551B, <URL:http://www.101phones.com/details/5714-5887/Whats-New-CD1551B.html>, retrieved from internet Jul. 3, 2008.*

* cited by examiner

Primary Examiner—Ian Simmons

Assistant Examiner—Carla Wright

(74) *Attorney, Agent, or Firm*—Brinks Hofer Gilson & Lione

(57) **CLAIM**

I claim the ornamental design for a telephone base unit, as shown and described.

DESCRIPTION

FIG. 1 is a front perspective view of a telephone base unit of the present invention;

FIG. 2 is a front view thereof;

FIG. 3 is a rear view thereof;

FIG. 4 is a first side view thereof;

FIG. 5 is a second side view thereof;

FIG. 6 is a top view thereof;

FIG. 7 is a bottom view thereof;

FIG. 8 is a rear perspective view thereof; and,

FIG. 9 is a front perspective view thereof.

The broken line showing of environmental structures is for illustrative purposes only and forms no part of the claimed design.

1 Claim, 9 Drawing Sheets

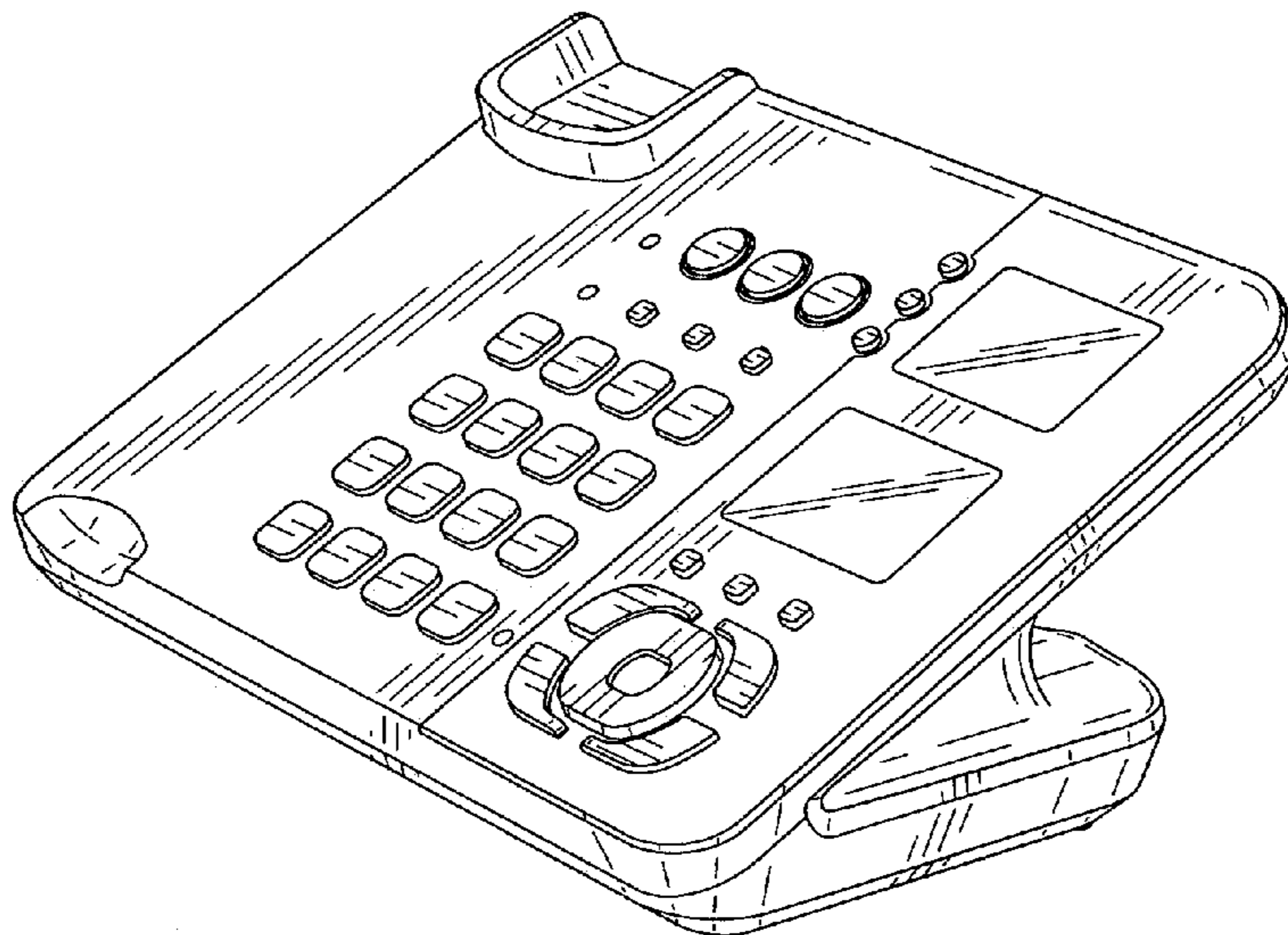


FIG.1

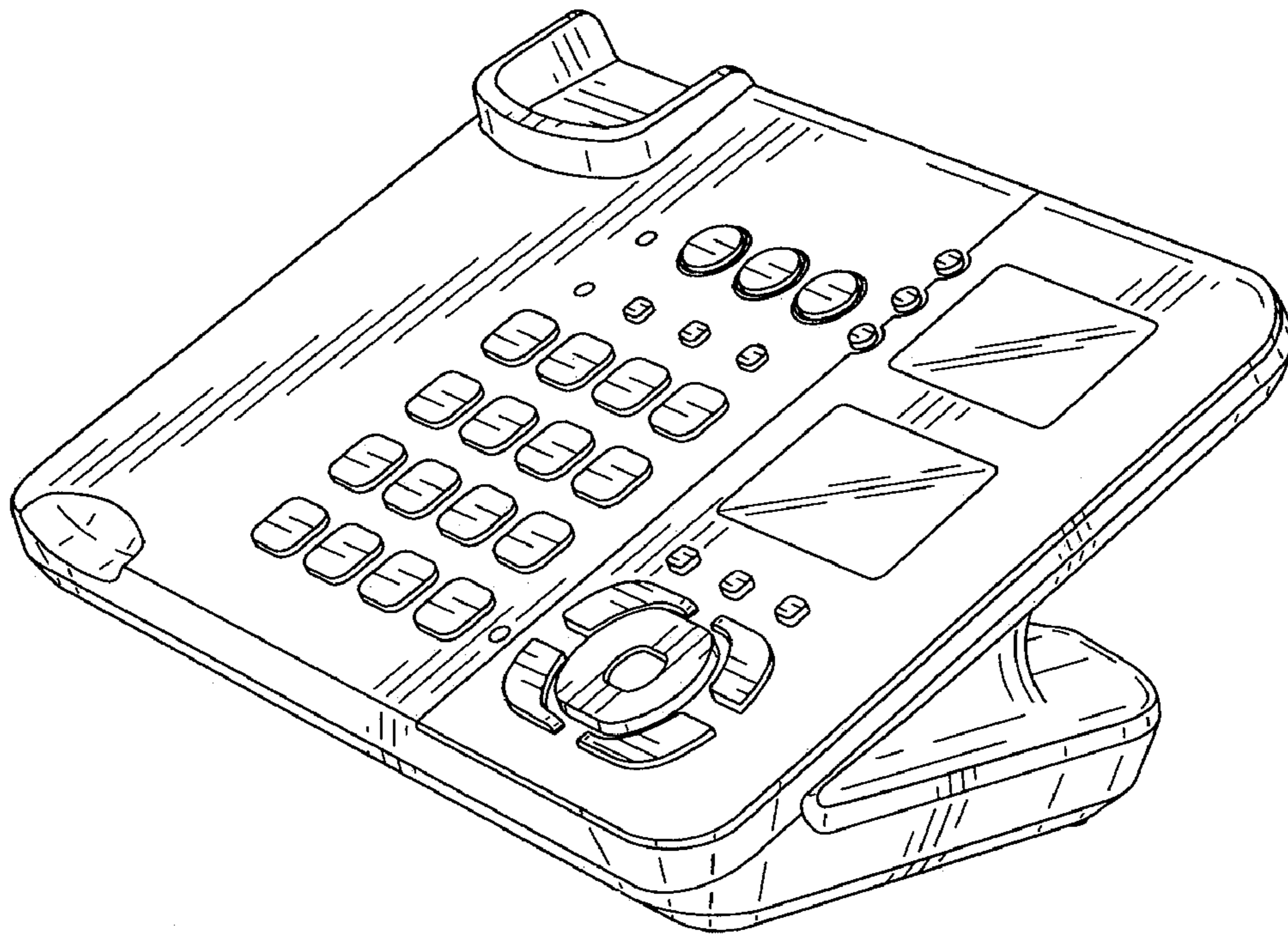


FIG.2

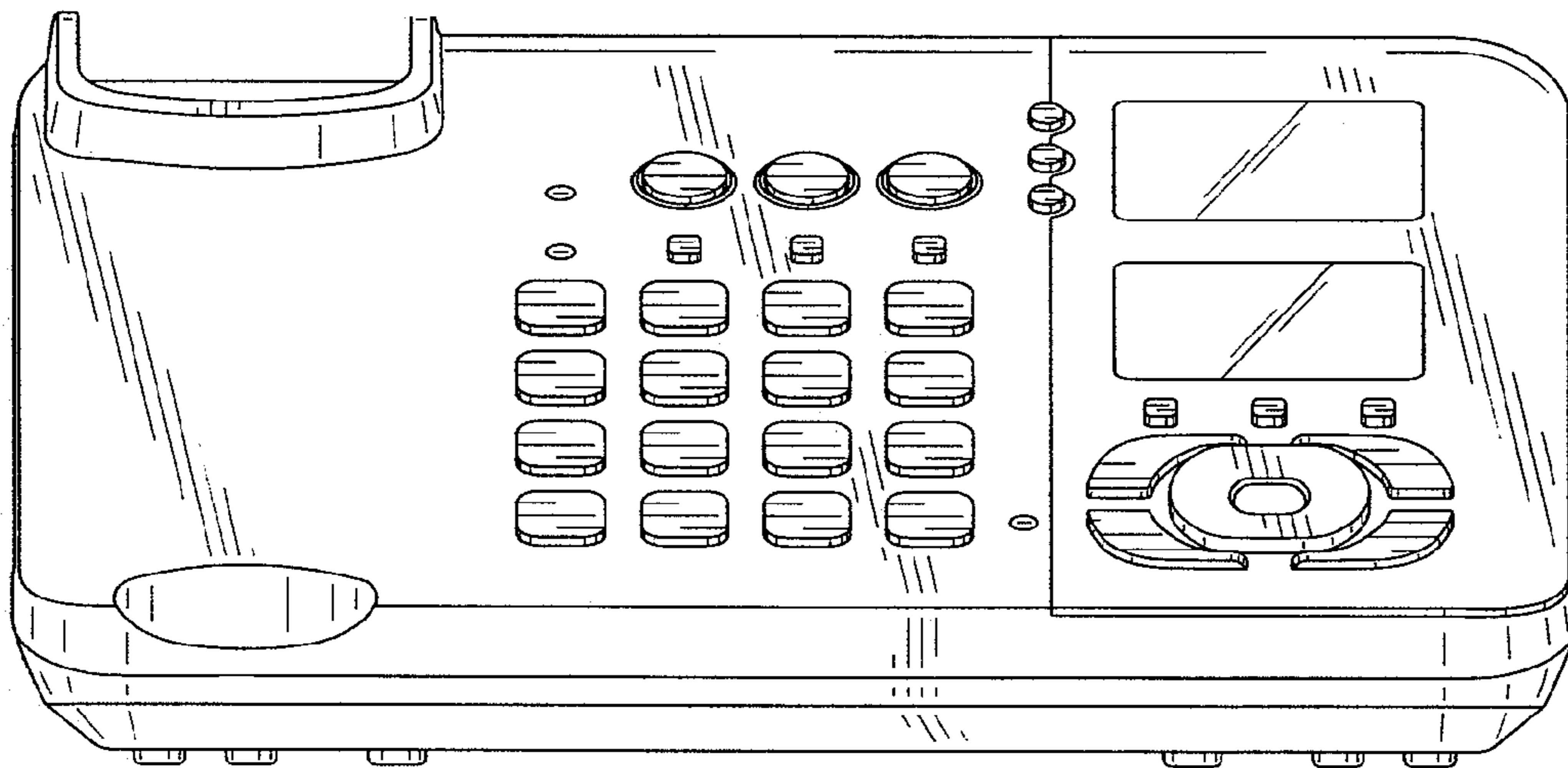


FIG.3

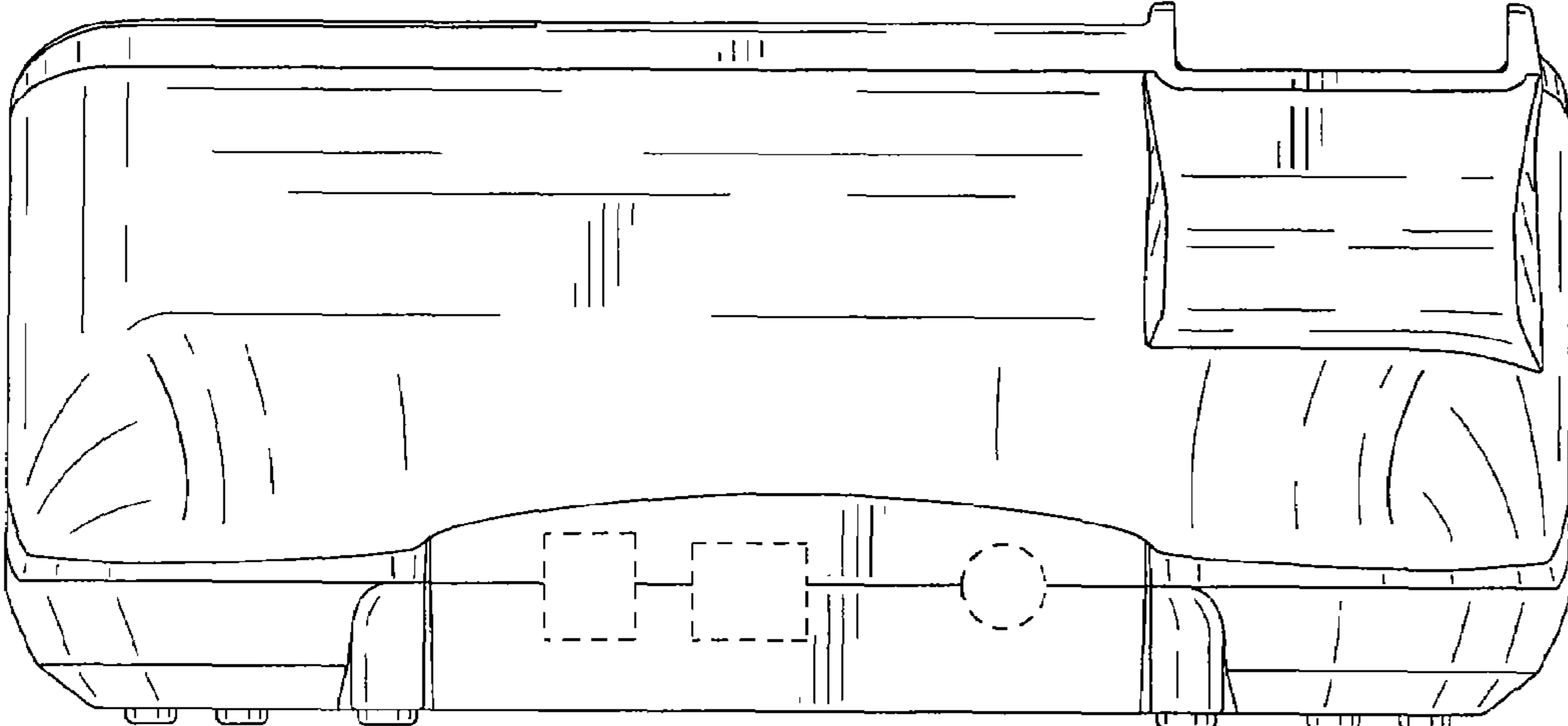


FIG.4

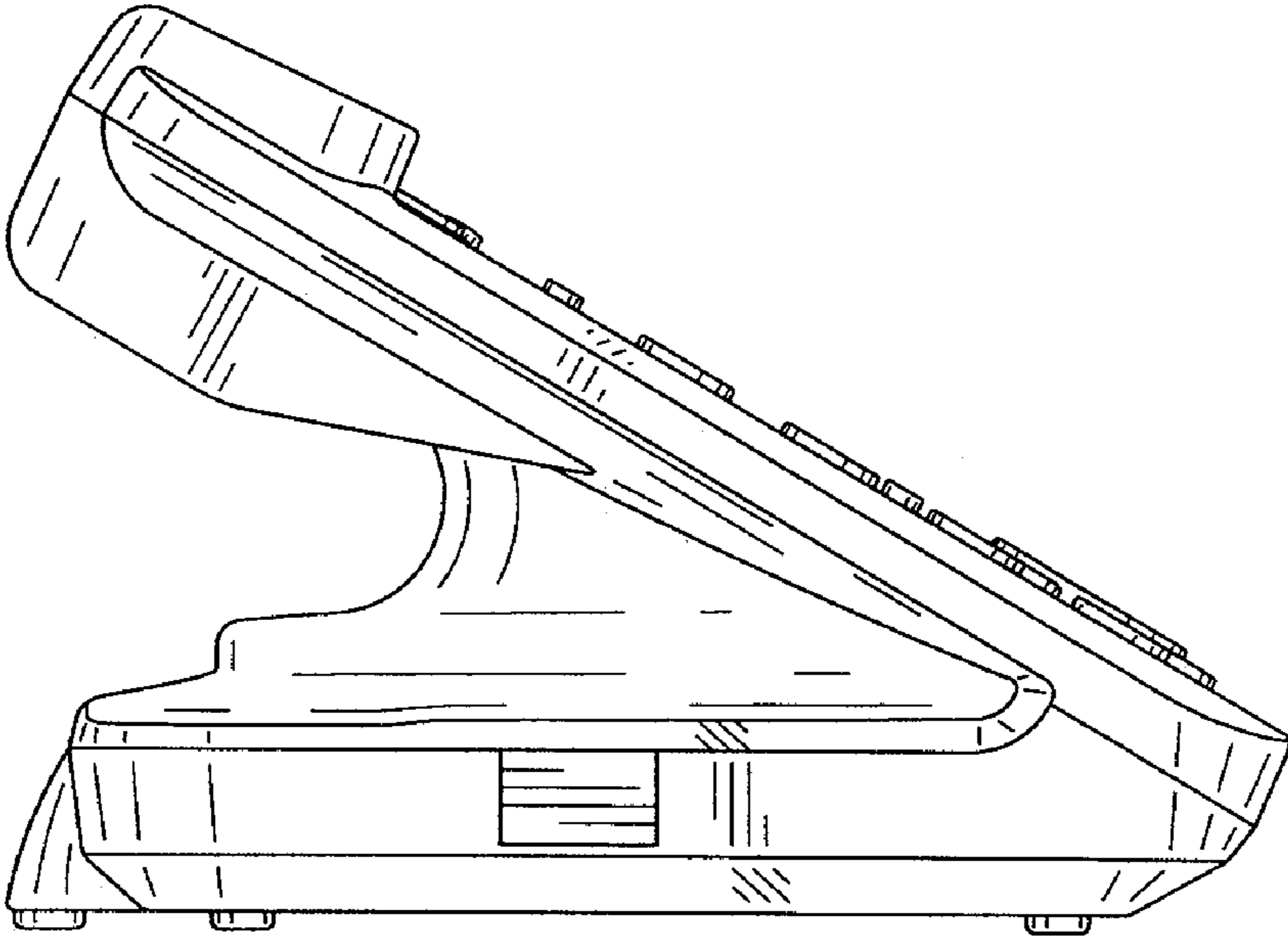


FIG.5

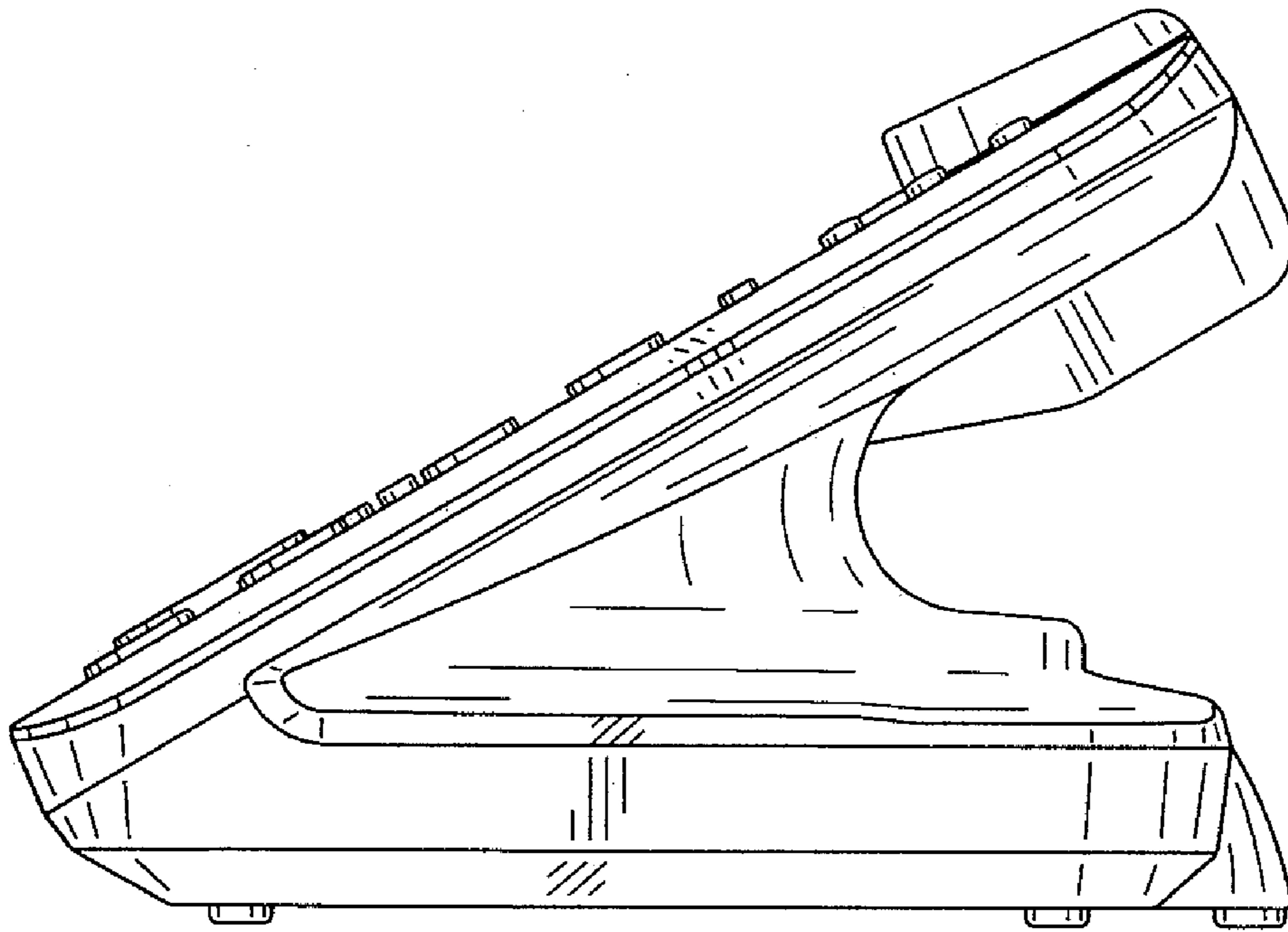


FIG.6

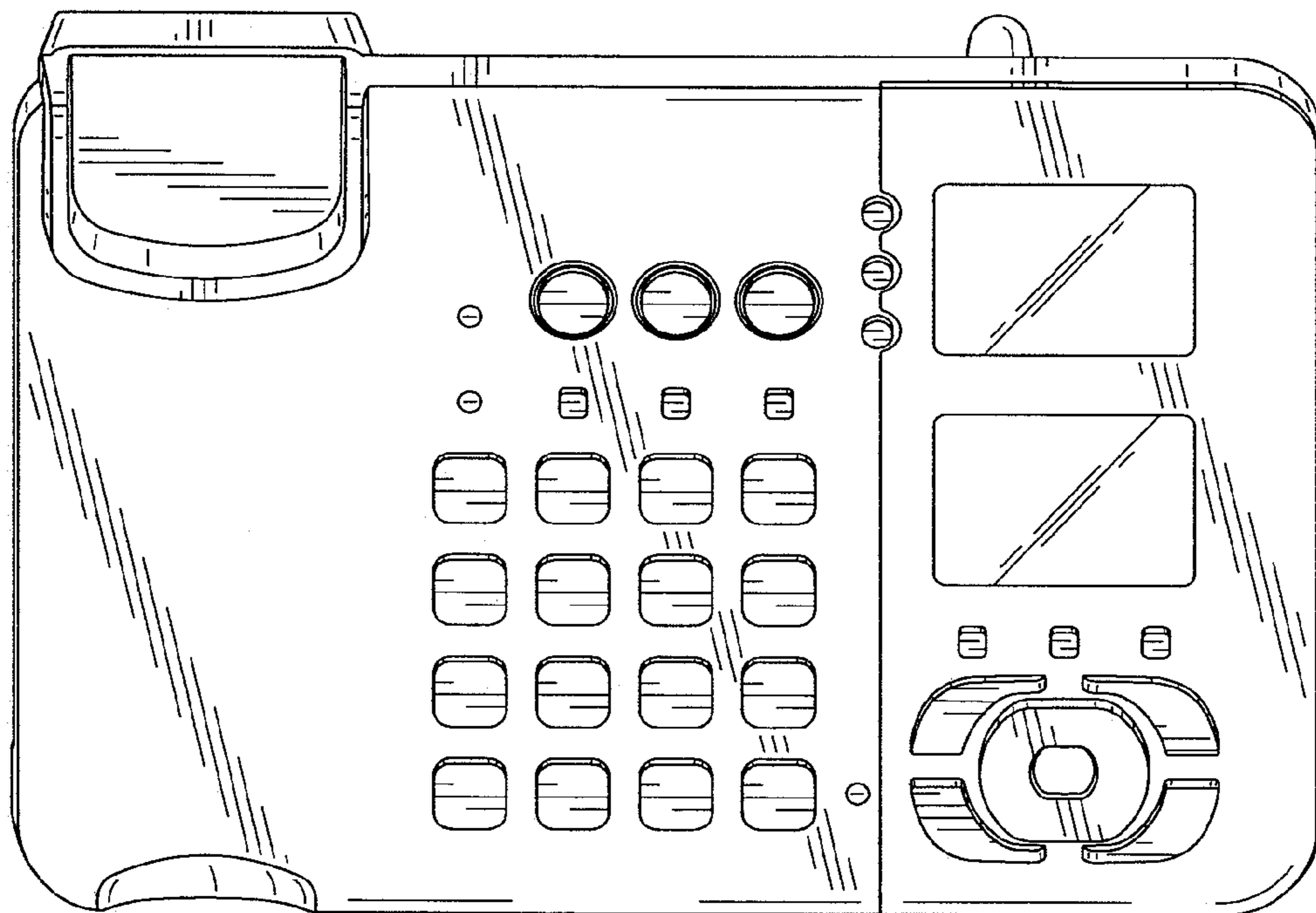


FIG.7

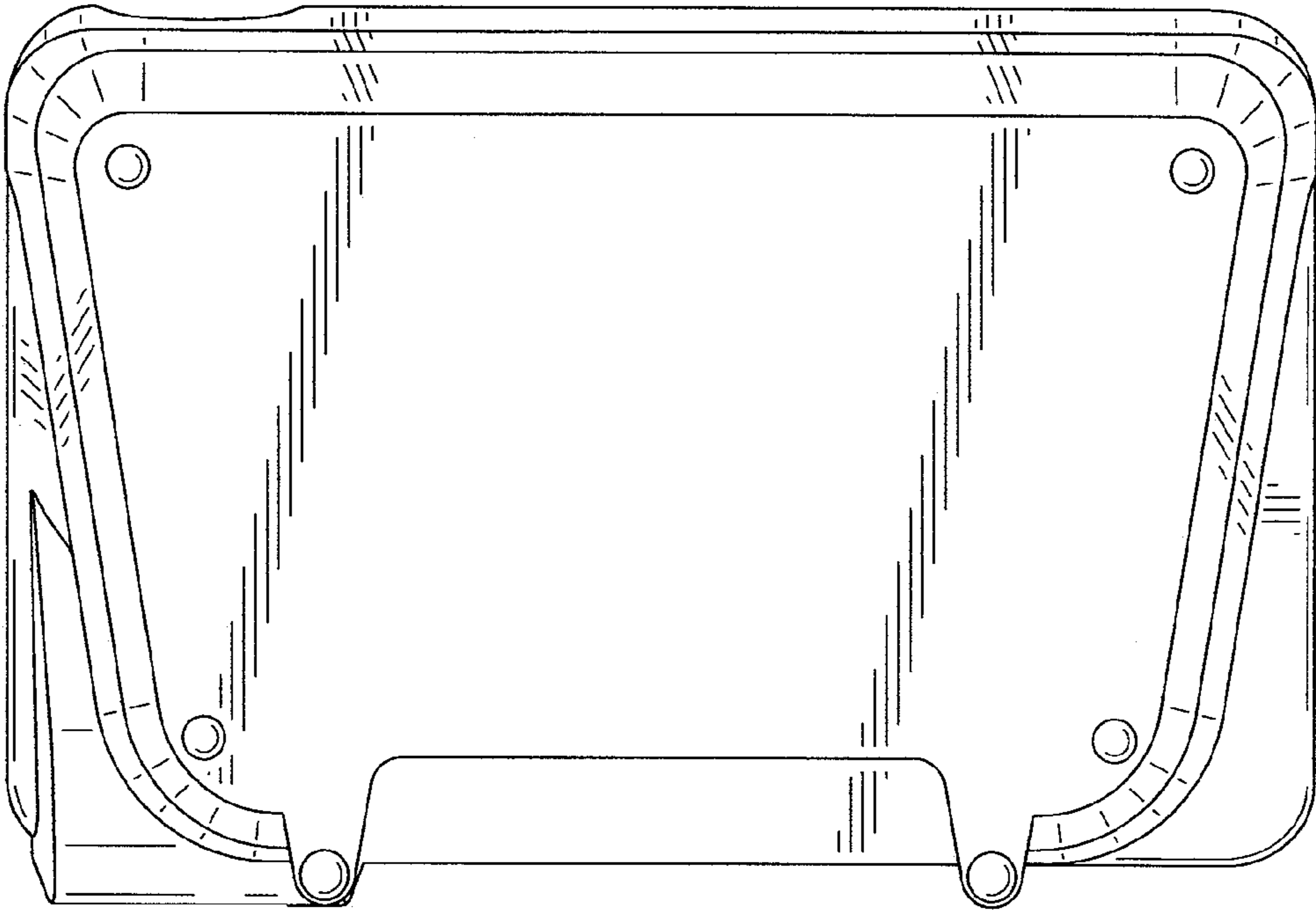


FIG.8

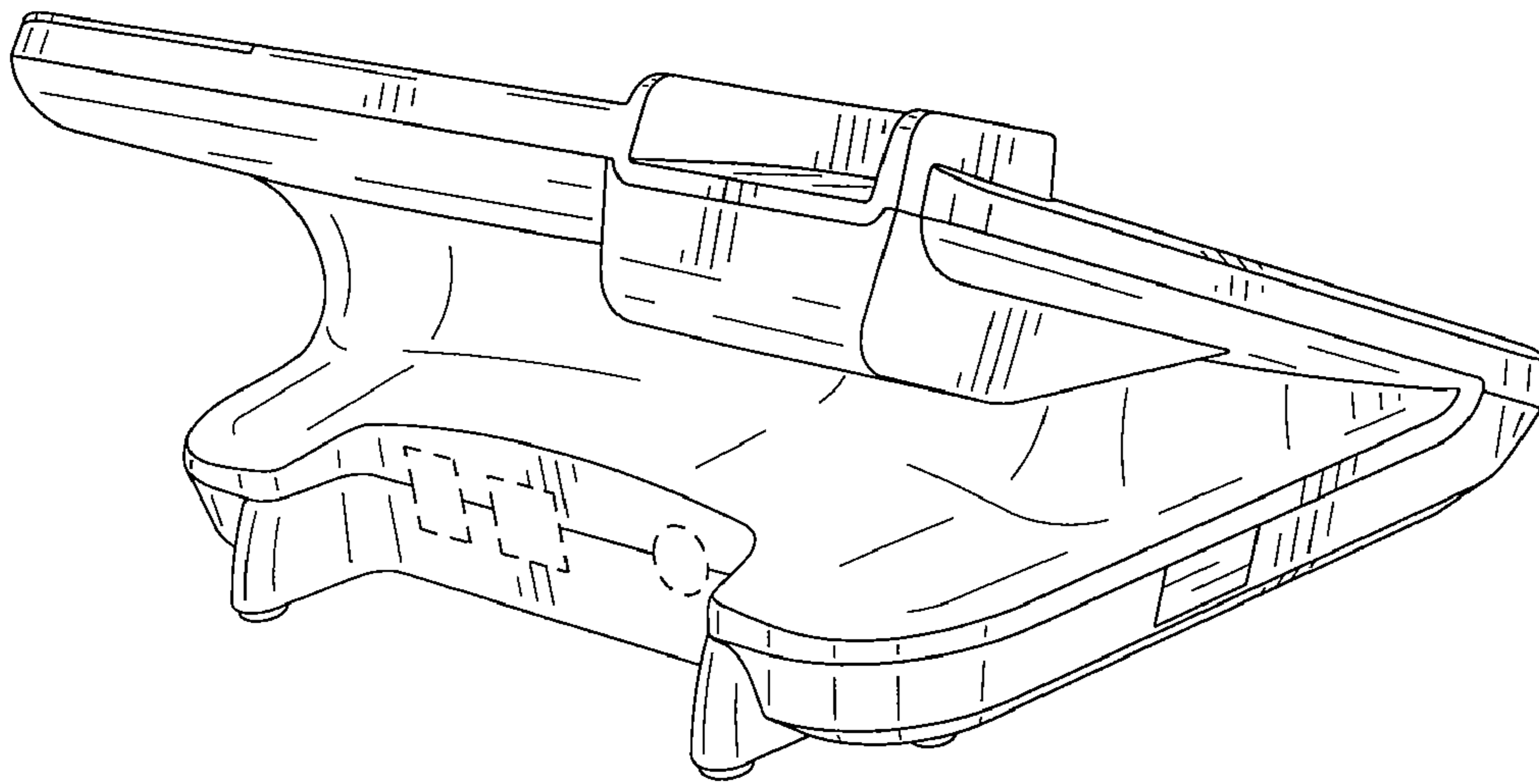


FIG.9

