



US00D576997S

(12) **United States Design Patent**  
**Furuno et al.**

(10) **Patent No.:** **US D576,997 S**  
(45) **Date of Patent:** **\*\* Sep. 16, 2008**

(54) **TELEPHONE BASE UNIT**  
(75) Inventors: **Masashi Furuno**, Kadoma (JP); **Toshiya Moriyama**, Kadoma (JP)  
(73) Assignee: **Matsushita Electric Industrial Co., Ltd.**, Osaka (JP)

D561,731 S \* 2/2008 Beasley et al. .... D14/149  
D562,797 S \* 2/2008 Beasley et al. .... D14/149  
D570,324 S \* 6/2008 Furuno et al. .... D14/149  
D570,325 S \* 6/2008 Hasegawa et al. .... D14/149

(\*\*) Term: **14 Years**  
(21) Appl. No.: **29/297,396**  
(22) Filed: **Nov. 9, 2007**

**FOREIGN PATENT DOCUMENTS**

WO DM/064090 \* 3/2002

**OTHER PUBLICATIONS**

Siemens Gigaset S455, <URL:http://www.101phones.com/details/2597-941/Siemens-DECT-6-Cordless-Phones-S455.html>, retrieved from internet Jul. 3, 2008.\*  
Vtech ia5851, <URL:http://www.101phones.com/details/2051-19/Vtech-5-8Ghz-Phones-Answering-System-IA5851.html>, retrieved from internet Jul. 3, 2008.\*

(51) **LOC (8) Cl.** ..... **14-03**  
(52) **U.S. Cl.** ..... **D14/149**  
(58) **Field of Classification Search** ..... D14/130, D14/137, 140, 140.1, 140.8, 141.1, 141.3, D14/142, 147-151, 158-159, 171, 188, 225-226, D14/240, 243, 247, 251, 253, 434; 379/387.01, 379/388.02, 420.02, 447; 381/16; D13/107-108; 191/12.2 R; 320/108, 114; 455/411  
See application file for complete search history.

\* cited by examiner

*Primary Examiner*—Ian Simmons  
*Assistant Examiner*—Carla Wright  
(74) *Attorney, Agent, or Firm*—Brinks Hofer Gilson & Lione

(56) **References Cited**

**U.S. PATENT DOCUMENTS**

D385,558 S \* 10/1997 Liu ..... D14/148  
5,952,814 A \* 9/1999 Van Lerberghe ..... 320/108  
D442,939 S \* 5/2001 Goldenburg ..... D14/191  
D456,795 S \* 5/2002 Hughes et al. .... D14/149  
D469,074 S \* 1/2003 Muenscher et al. .... D14/149  
D495,312 S \* 8/2004 Fitzgerald ..... D14/147  
D510,091 S \* 9/2005 Mori et al. .... D14/434  
D524,789 S \* 7/2006 Beasley et al. .... D14/149  
D525,233 S 7/2006 Franck et al.  
D528,979 S 9/2006 Franck et al.  
D530,302 S 10/2006 Franck et al.  
D558,749 S \* 1/2008 Furuno et al. .... D14/253

(57) **CLAIM**

The ornamental design for a telephone base unit, as shown and described.

**DESCRIPTION**

FIG. 1 is a top perspective view of a telephone base unit of the present invention;  
FIG. 2 is a front view thereof;  
FIG. 3 is a rear view thereof;  
FIG. 4 is a first side view thereof;  
FIG. 5 is a second side view thereof;  
FIG. 6 is a top view thereof; and,  
FIG. 7 is a bottom view thereof.

**1 Claim, 7 Drawing Sheets**

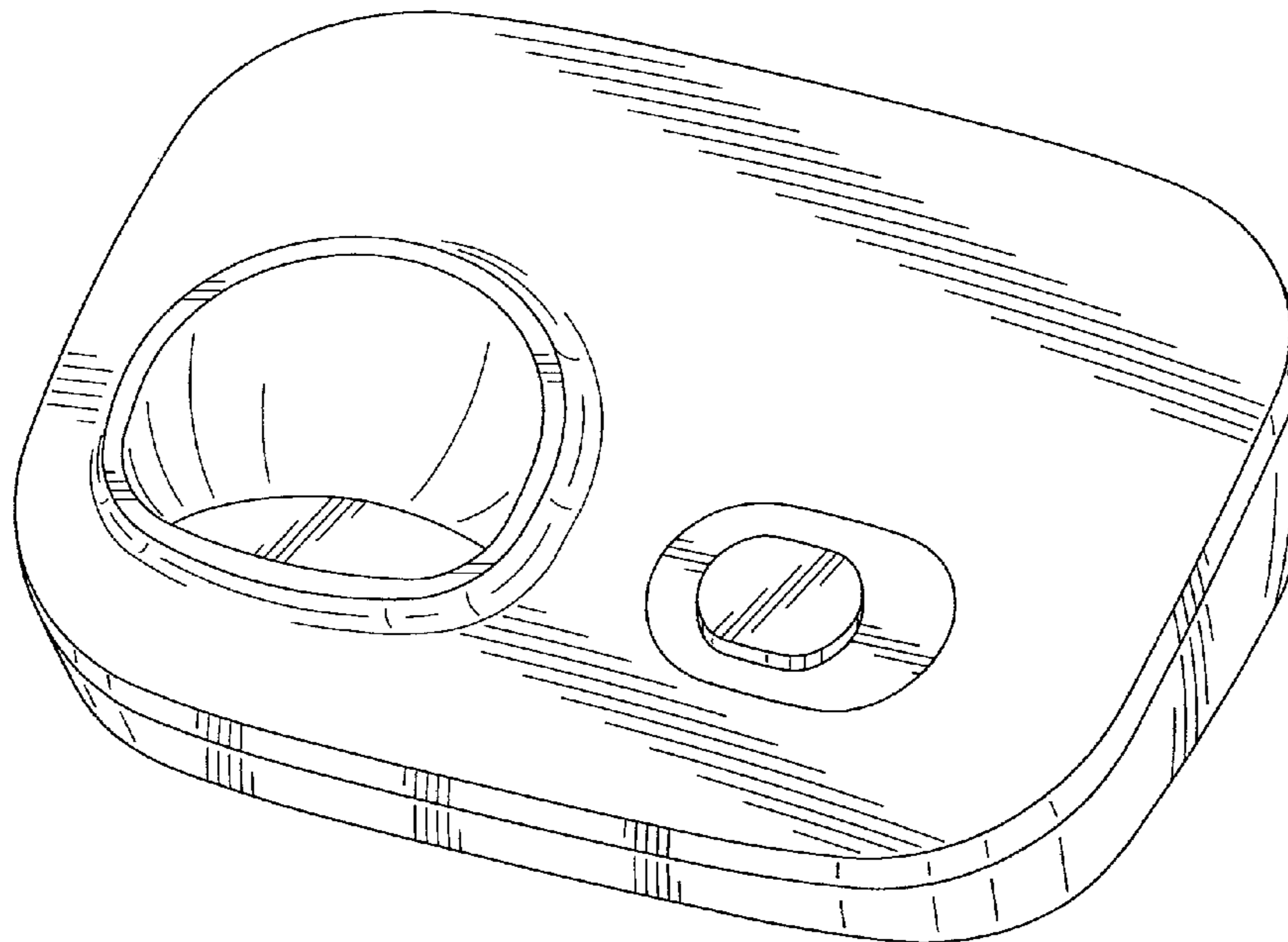


FIG.1

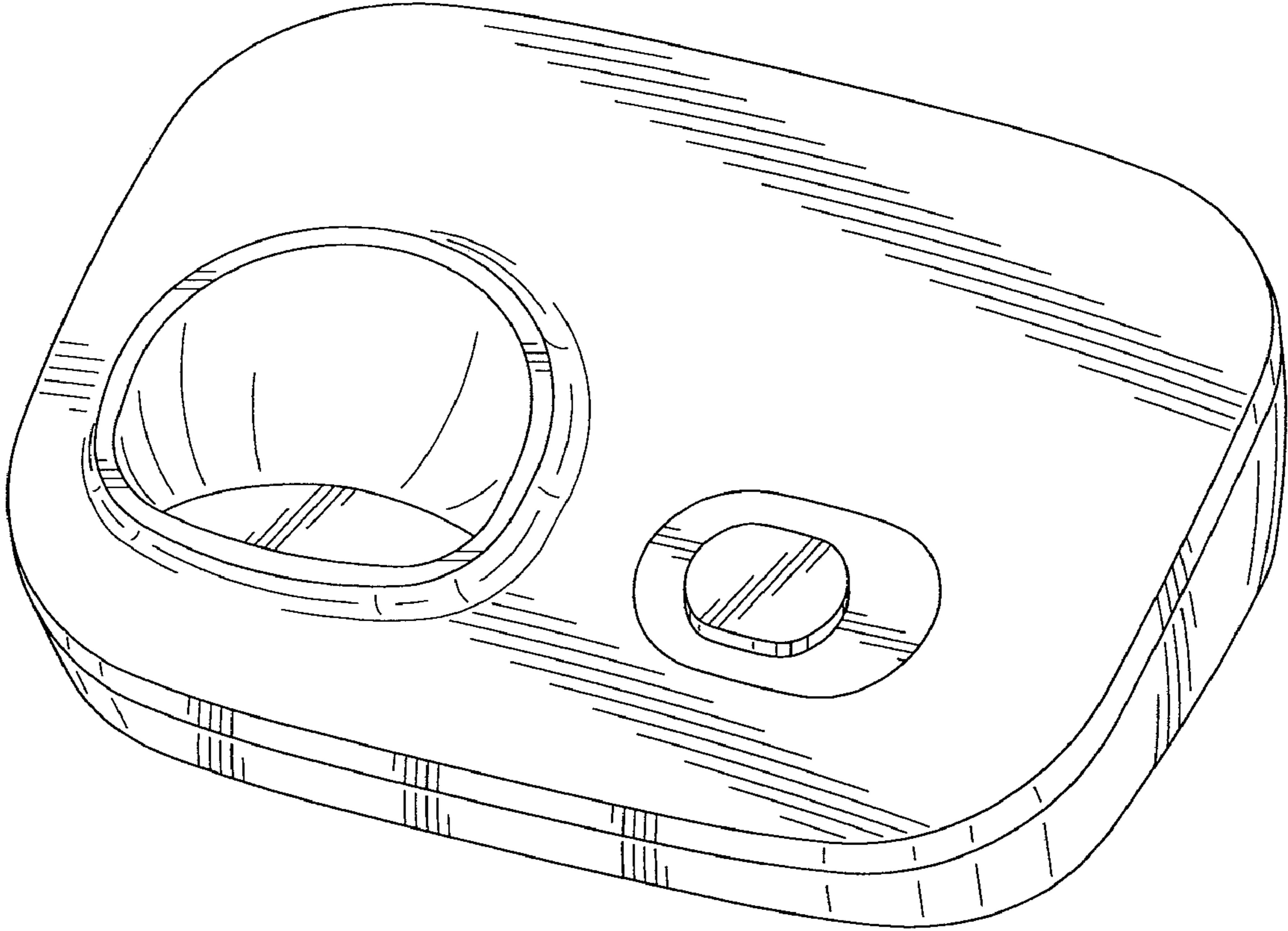


FIG. 2

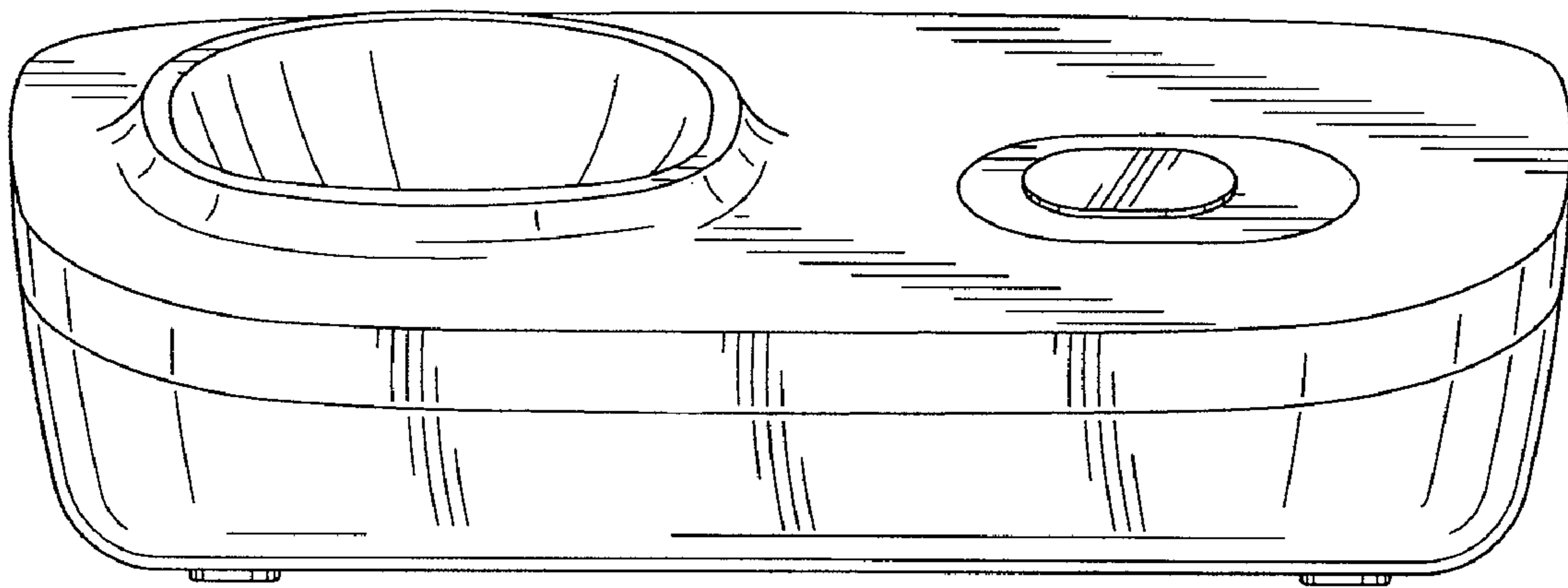


FIG.3

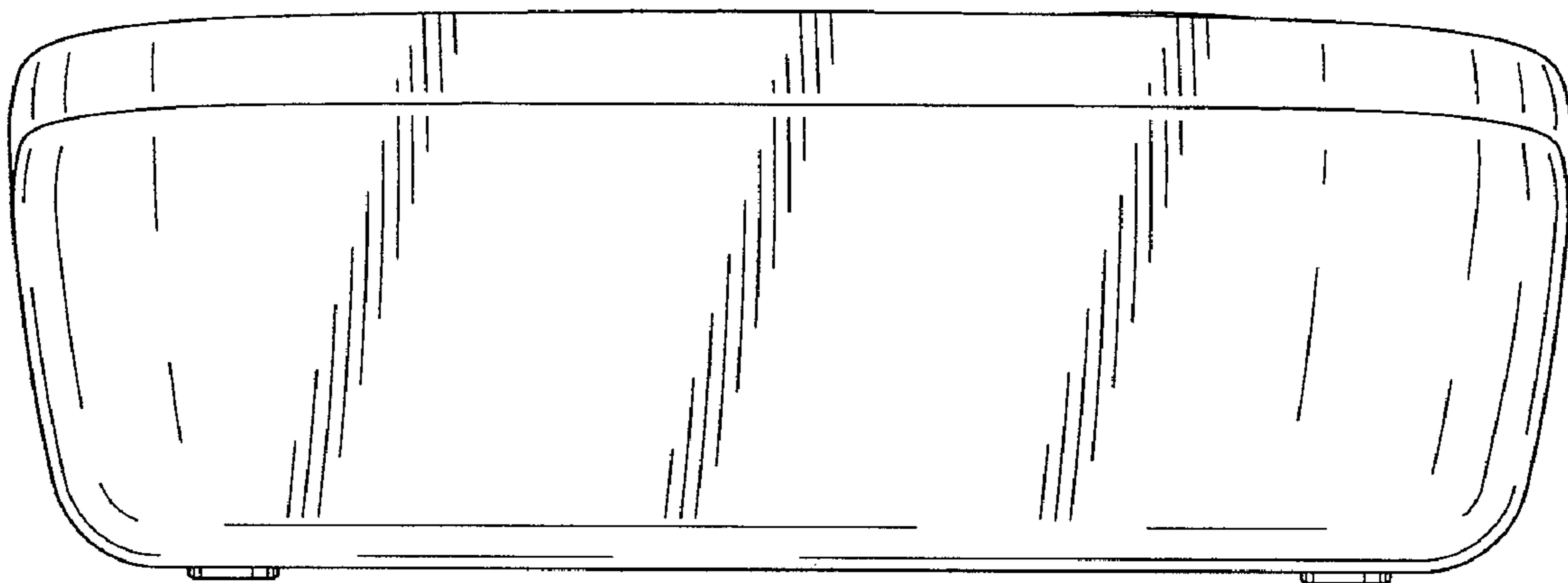
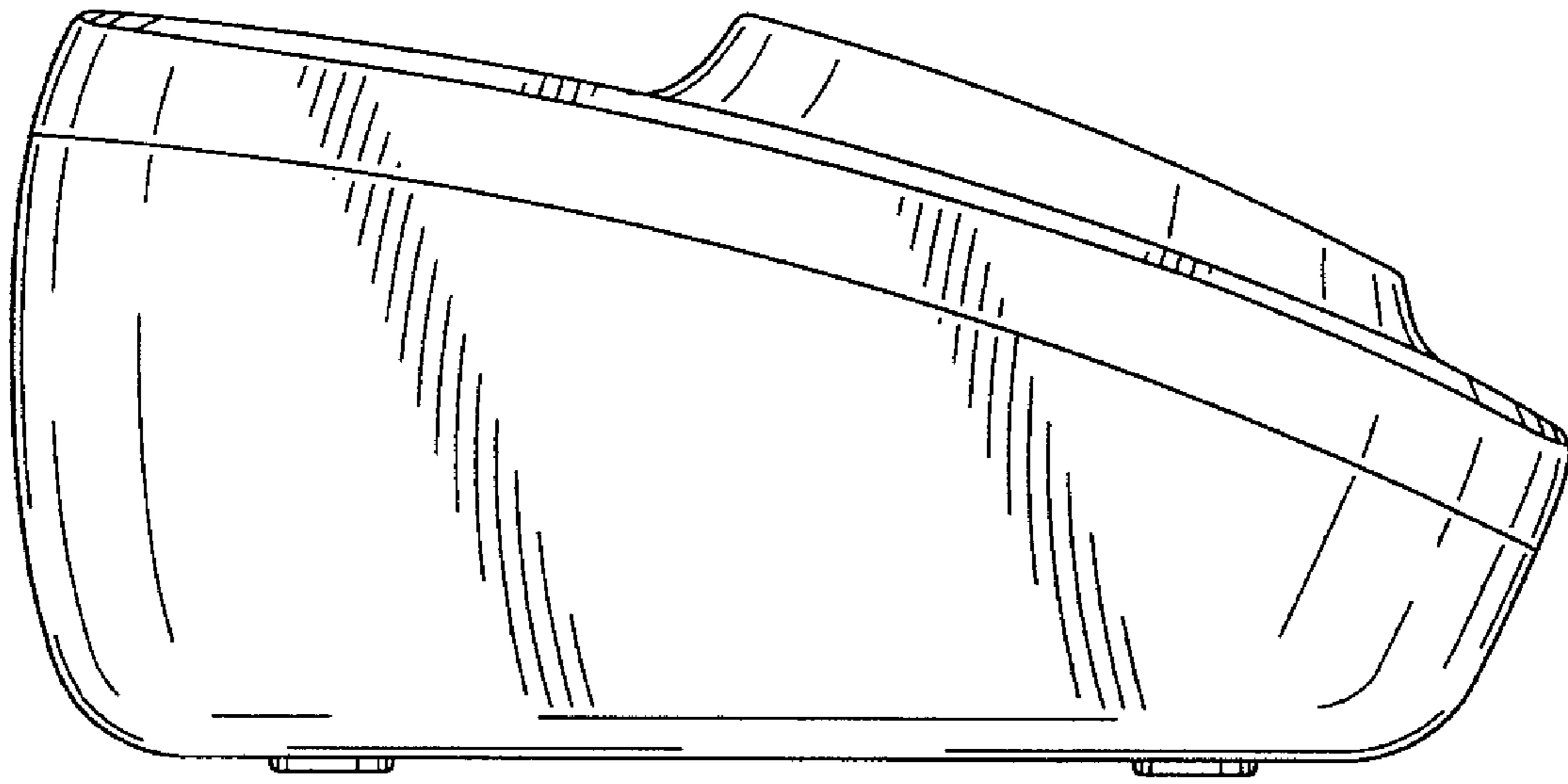


FIG.4



*FIG. 5*

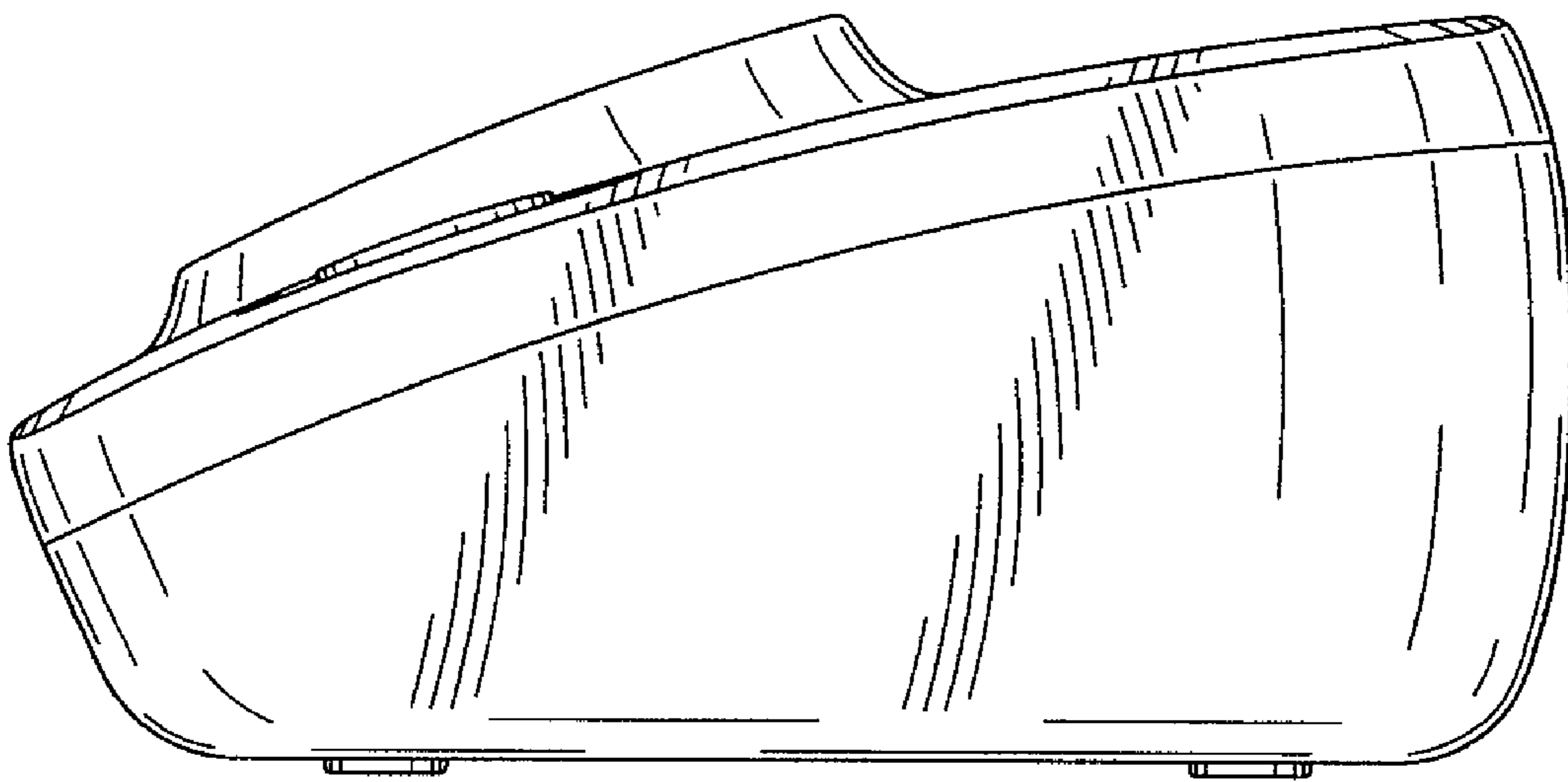


FIG.6

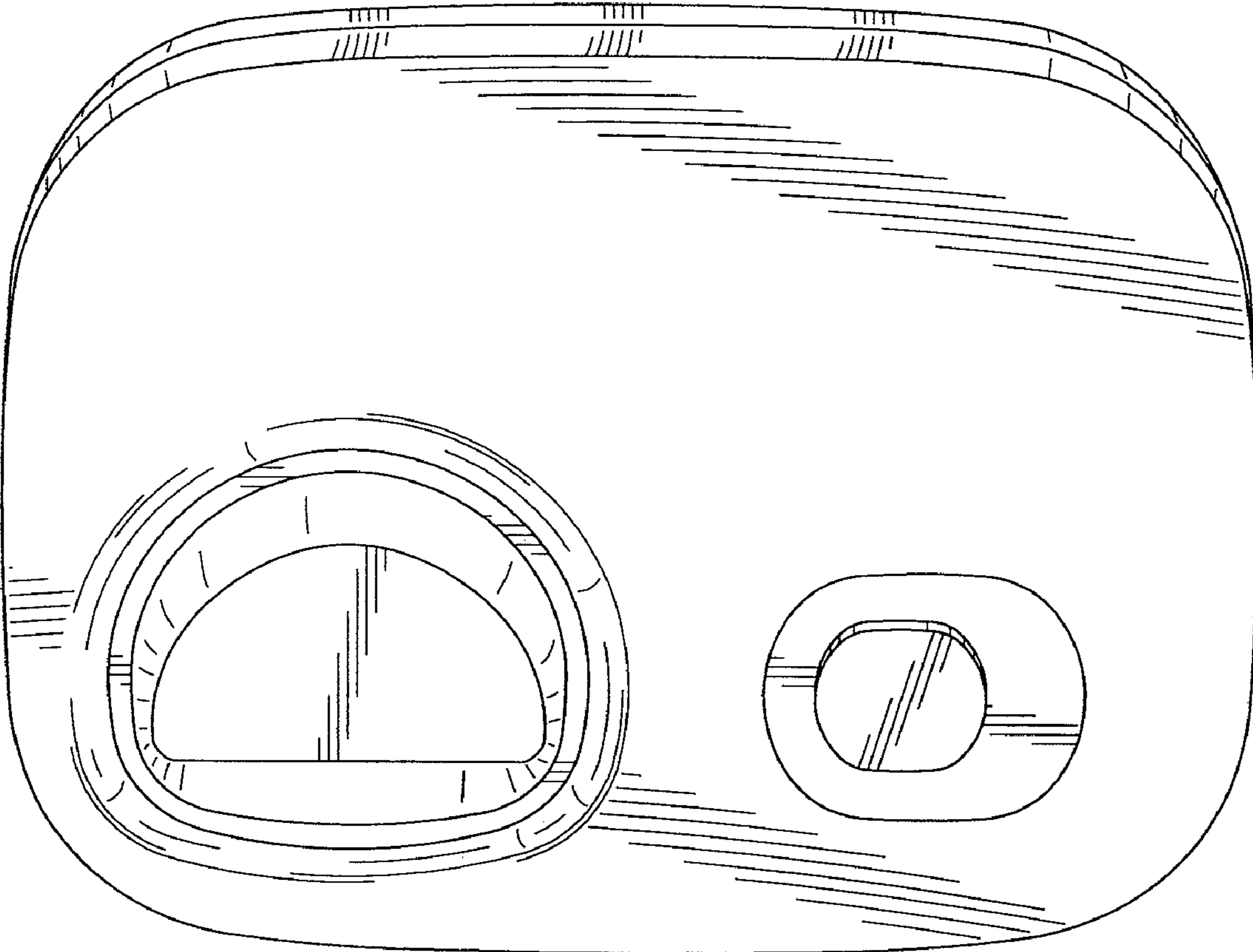


FIG. 7

