



US00D576994S

(12) **United States Design Patent**
Oh et al.

(10) **Patent No.:** **US D576,994 S**

(45) **Date of Patent:** **** Sep. 16, 2008**

(54) **PORTABLE PHONE**

(75) Inventors: **Jong-Hoon Oh**, Seoul (KR); **Young-Ju Yeo**, Seoul (KR); **Chang-Soo Lee**, Incheon-Si (KR)

(73) Assignee: **Samsung Electronics Co., Ltd.**, Suwon-Si (KR)

(**) Term: **14 Years**

(21) Appl. No.: **29/294,209**

(22) Filed: **Dec. 28, 2007**

(30) **Foreign Application Priority Data**

Sep. 18, 2007 (KR) 30-2007-0039804

(51) **LOC (8) Cl.** **14-03**

(52) **U.S. Cl.** **D14/138**

(58) **Field of Classification Search** D14/137-138, D14/147-148, 156, 218, 247-248, 341-347, D14/390, 399, 455-456, 496; D16/208; D21/329, 331, 333, 517; 348/14.01-14.02; 361/814; 379/433.01-433.13; 455/90.3, 455/556.1-556.2, 566, 575.1, 575.3, 575.4; D13/164, 168; 439/165; 343/702

See application file for complete search history.

(56) **References Cited**

U.S. PATENT DOCUMENTS

D339,338 S *	9/1993	Tattari et al.	D14/138
D479,514 S *	9/2003	Chan	D14/138
D480,057 S *	9/2003	Ho-Cheun et al.	D14/138
D490,406 S *	5/2004	He et al.	D14/247
D496,342 S *	9/2004	Clemens et al.	D14/138
D524,274 S *	7/2006	Choi et al.	D14/138

D554,100 S *	10/2007	Kim et al.	D14/138
D558,179 S *	12/2007	Hansen	D14/138
D560,645 S *	1/2008	Park	D14/138
D560,646 S *	1/2008	Yun et al.	D14/138
D560,647 S *	1/2008	Choi et al.	D14/138
2005/0186987 A1 *	8/2005	Liu	455/556.1
2007/0294633 A1 *	12/2007	Aarras et al.	715/781

OTHER PUBLICATIONS

Motorola E365, announced 2Q 2003, <URL:http://www.gsmarena.com/motorola_e365-pictures-492.php>, retrieved from internet May 8, 2008.*

Philips 768, announced 4Q 2005, <URL:http://www.gsmarena.com/philips_768-pictures-1386.php>, retrieved from internet May 8, 2008.*

* cited by examiner

Primary Examiner—Ian Simmons

Assistant Examiner—Carla Wright

(74) *Attorney, Agent, or Firm*—Staas & Halsey LLP

(57) **CLAIM**

The ornamental design for a portable phone, as shown and described.

DESCRIPTION

FIG. 1 is a perspective view of a portable phone;
FIG. 2 is a front view of the portable phone of FIG. 1;
FIG. 3 is a rear view of the portable phone of FIG. 1;
FIG. 4 is a left-side view of the portable phone of FIG. 1;
FIG. 5 is a right-side view of the portable phone of FIG. 1;
FIG. 6 is a top plan view of the portable phone of FIG. 1; and,
FIG. 7 is a bottom plan view of the portable phone of FIG. 1.

1 Claim, 4 Drawing Sheets

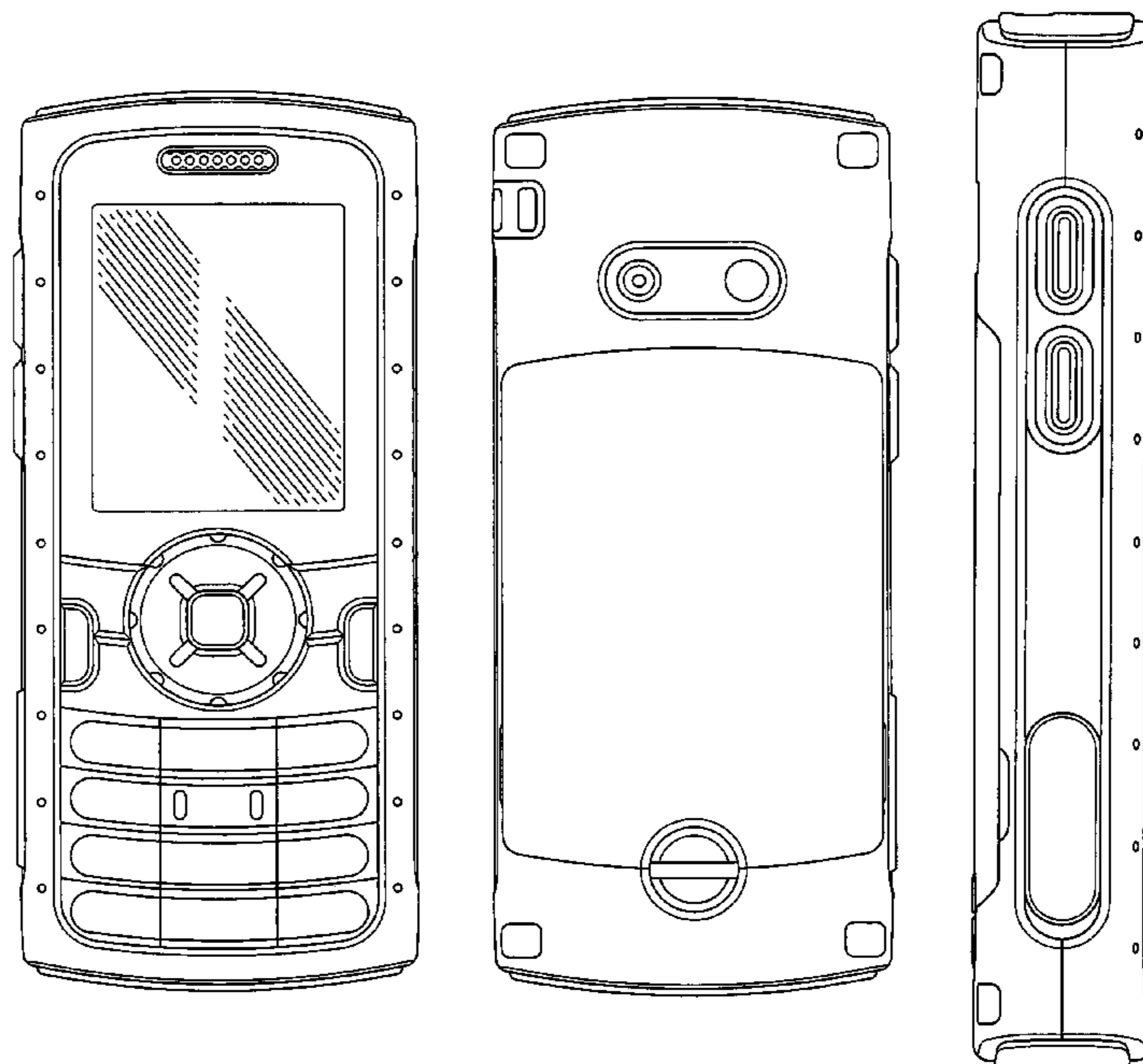


FIG. 1

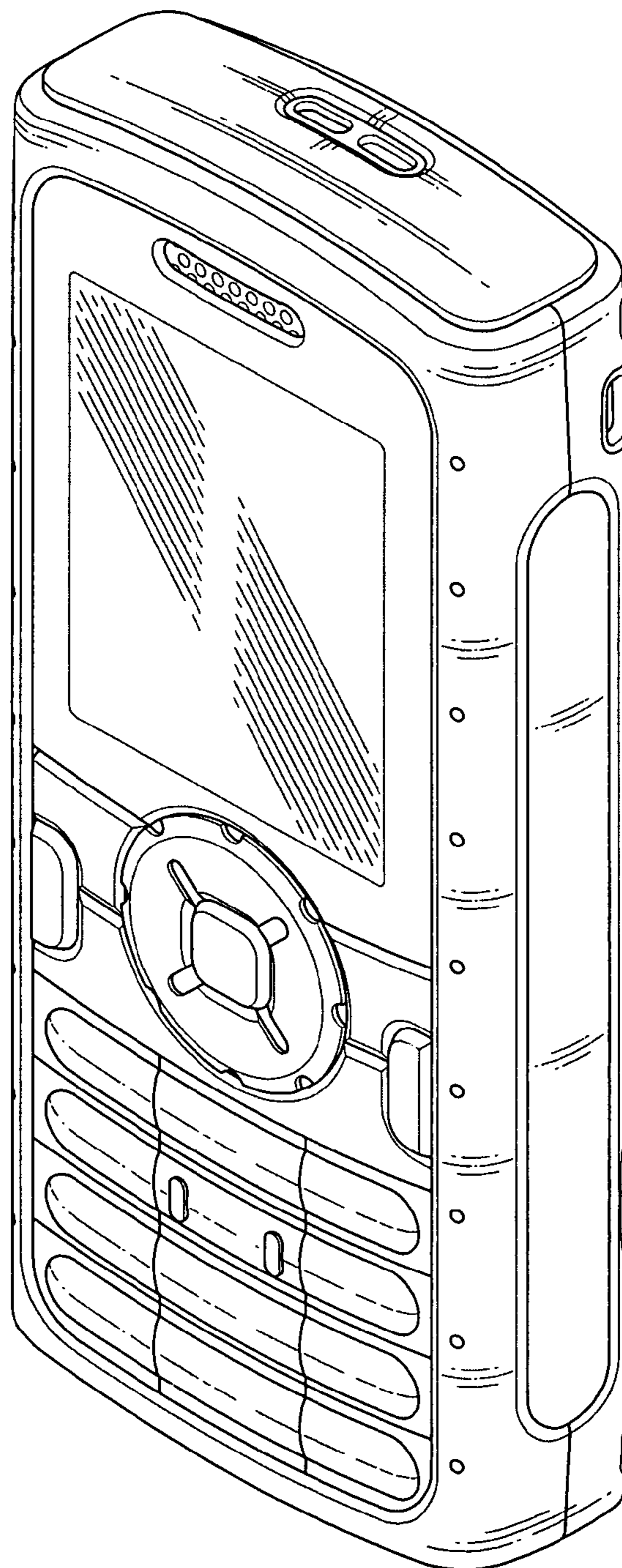


FIG. 2

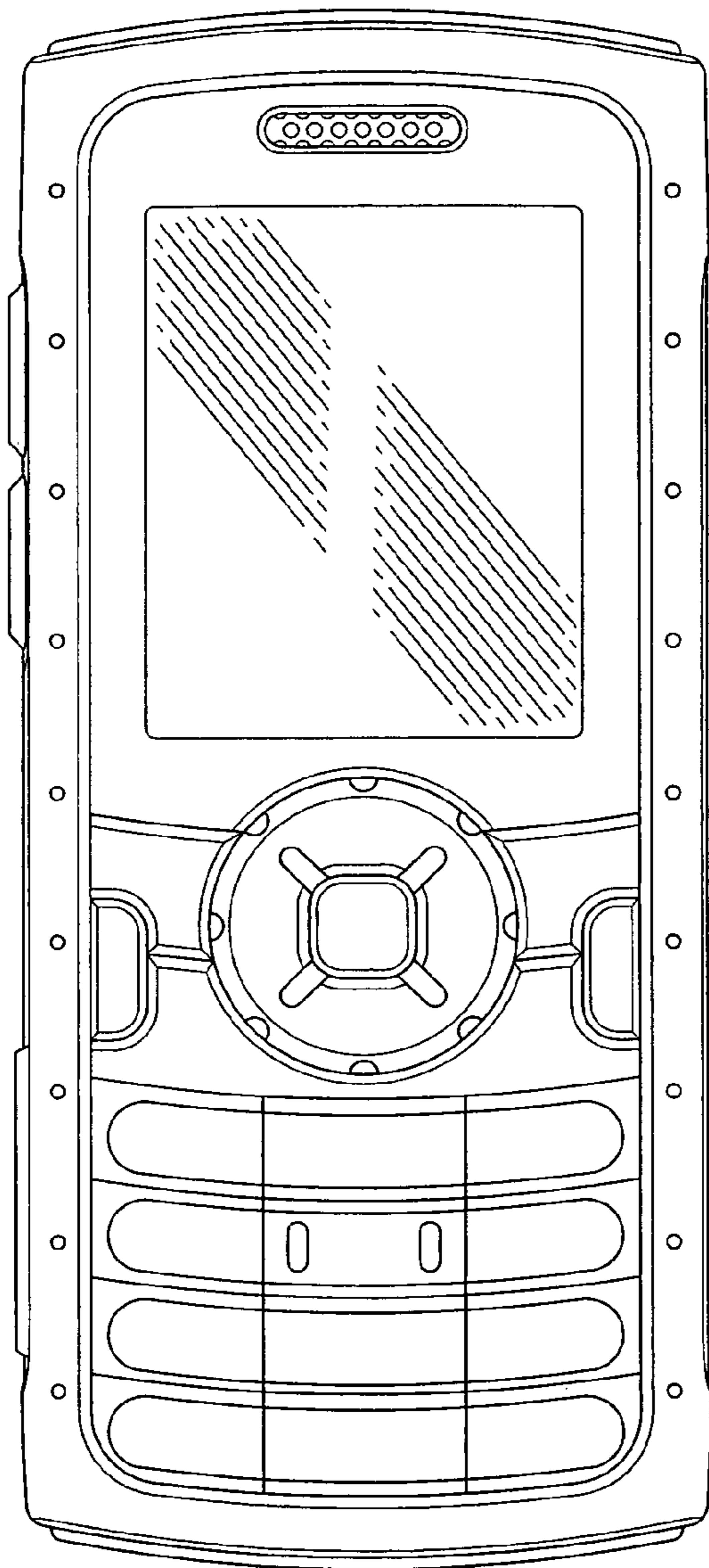


FIG. 3

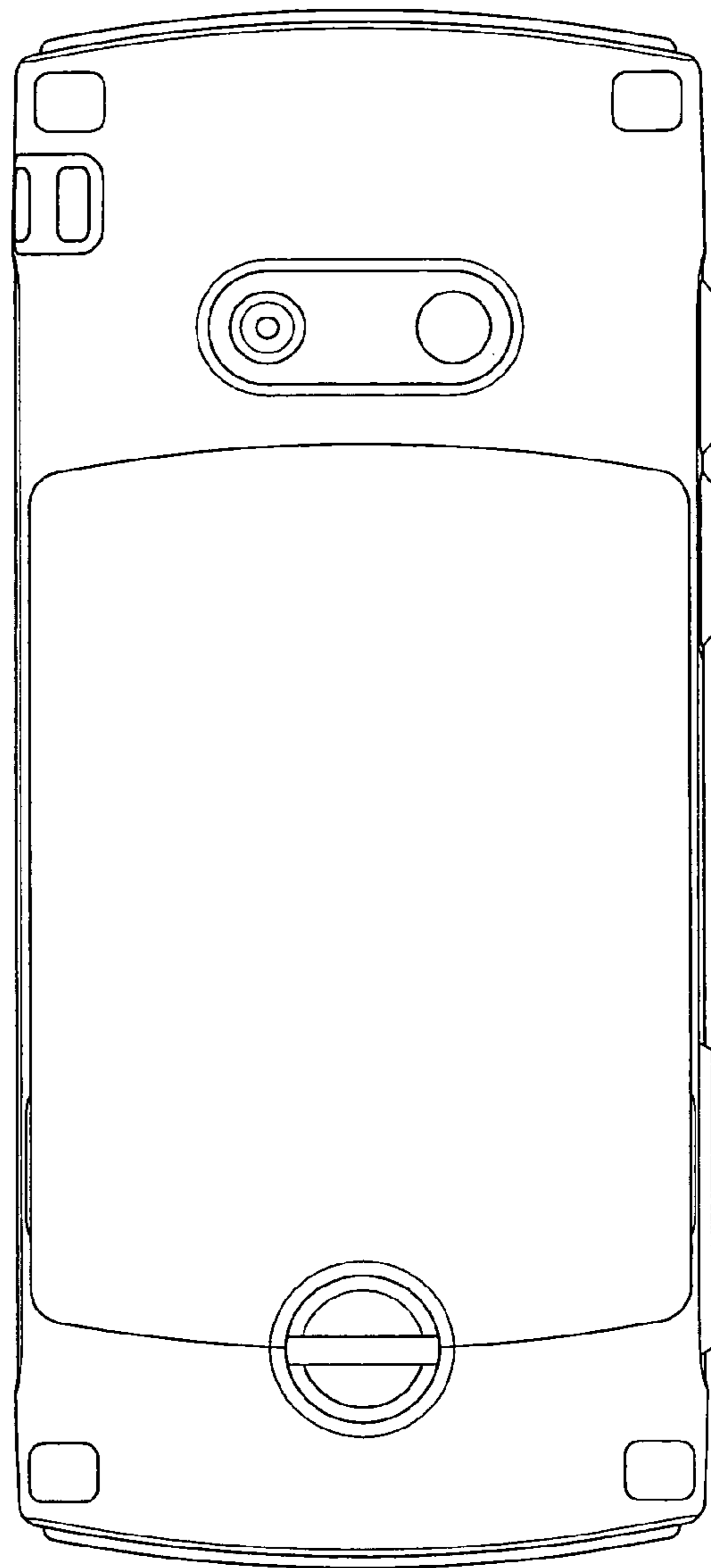


FIG. 4

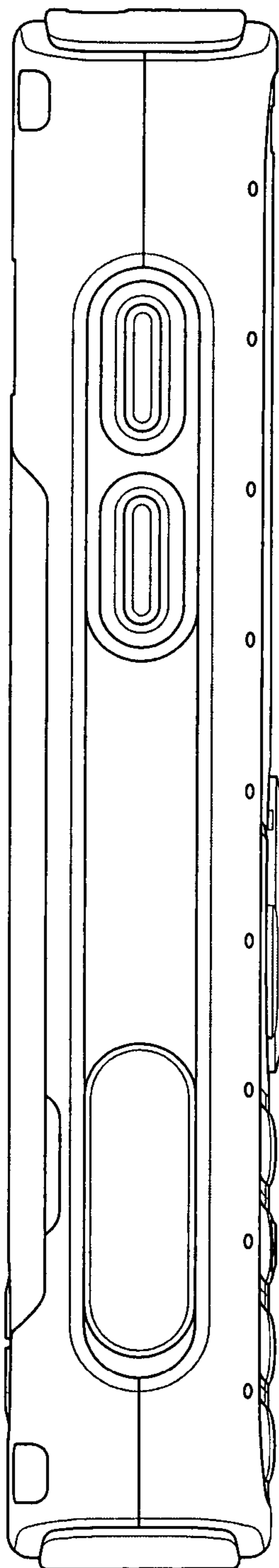


FIG. 5

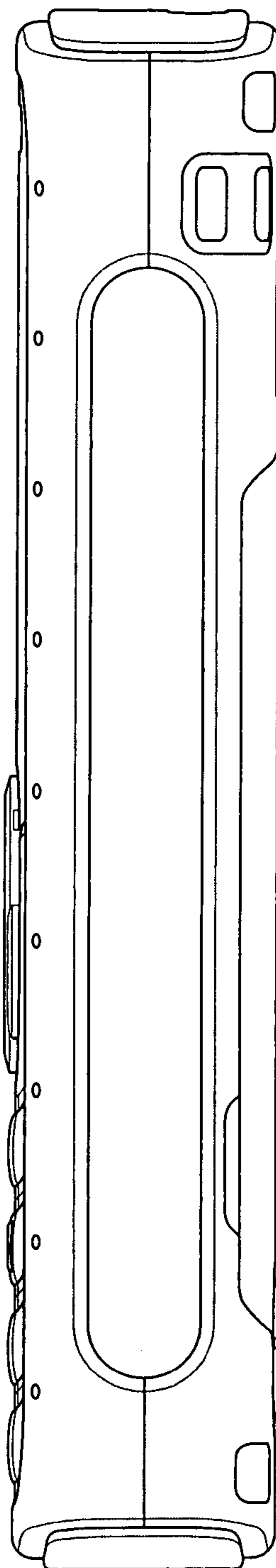


FIG. 6

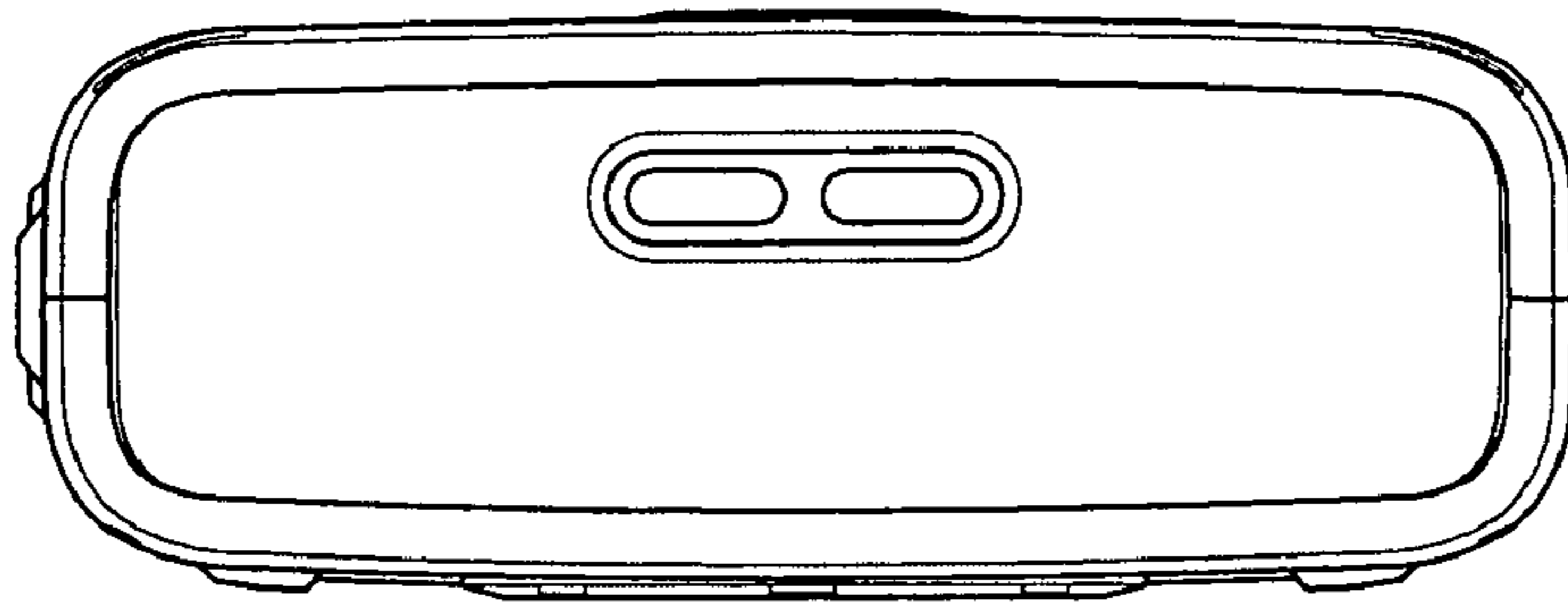


FIG. 7

