



US00D576989S

(12) **United States Design Patent**
Lee et al.

(10) **Patent No.:** **US D576,989 S**
(45) **Date of Patent:** **** Sep. 16, 2008**

(54) **MOBILE PHONE**

(75) Inventors: **Ji-Young Lee**, Seoul (KR); **Sang-Min Hyun**, Seoul (KR); **Chang-Hwan Hwang**, Goyang-si (KR)

(73) Assignee: **Samsung Electronics Co., Ltd.**, Suwon-Si (KR)

(**) Term: **14 Years**

(21) Appl. No.: **29/290,034**

(22) Filed: **Oct. 12, 2007**

(30) **Foreign Application Priority Data**

Jul. 20, 2007 (KR) 30-2007-0031497

(51) **LOC (8) Cl.** **14-03**

(52) **U.S. Cl.** **D14/138**

(58) **Field of Classification Search** D14/137, D14/138, 147, 191, 218, 247-248, 341-347, D14/496; D10/65, 78, 104; D13/168; D18/7; 455/556.1, 566, 575.1, 575.3; 345/169
See application file for complete search history.

(56) **References Cited**

U.S. PATENT DOCUMENTS

6,622,031	B1 *	9/2003	McCleary et al.	455/575.7
D495,695	S *	9/2004	Yugaya	D14/346
D496,645	S *	9/2004	Yoo et al.	D14/138
D503,642	S *	4/2005	Hutchison et al.	D10/81
D517,042	S *	3/2006	Byun et al.	D14/191
D525,609	S *	7/2006	Kim et al.	D14/138
D528,094	S *	9/2006	Hwang	D14/138
D529,471	S *	10/2006	Park	D14/138
D530,297	S *	10/2006	Moon et al.	D14/138
D532,425	S *	11/2006	Kim	D14/496
D536,691	S *	2/2007	Park	D14/138
D545,843	S *	7/2007	Song	D14/496
D549,205	S *	8/2007	Cho	D14/138
D550,189	S *	9/2007	Kim et al.	D14/138

D552,579	S *	10/2007	Lee et al.	D14/138
D554,149	S *	10/2007	Kim	D14/496
D555,170	S *	11/2007	Dai	D14/496
D558,789	S *	1/2008	Yu et al.	D14/496

(Continued)

FOREIGN PATENT DOCUMENTS

WO DM/069443 * 10/2007

OTHER PUBLICATIONS

Motorola ROKR E6, announced Dec. 2006, [online], [retrieved on Feb. 16, 2007]. Retrieved from Internet ,<URL: http://www.gsmarena.com>.*

LG KF600, announced Feb. 2008, [online], [retrieved on Mar. 21, 2008]. Retrieved from Internet ,<URL: http://www.gsmarena.com>.*

(Continued)

Primary Examiner—Jeffrey D. Asch

Assistant Examiner—Bridget L Eland

(74) *Attorney, Agent, or Firm*—Staas & Halsey LLP

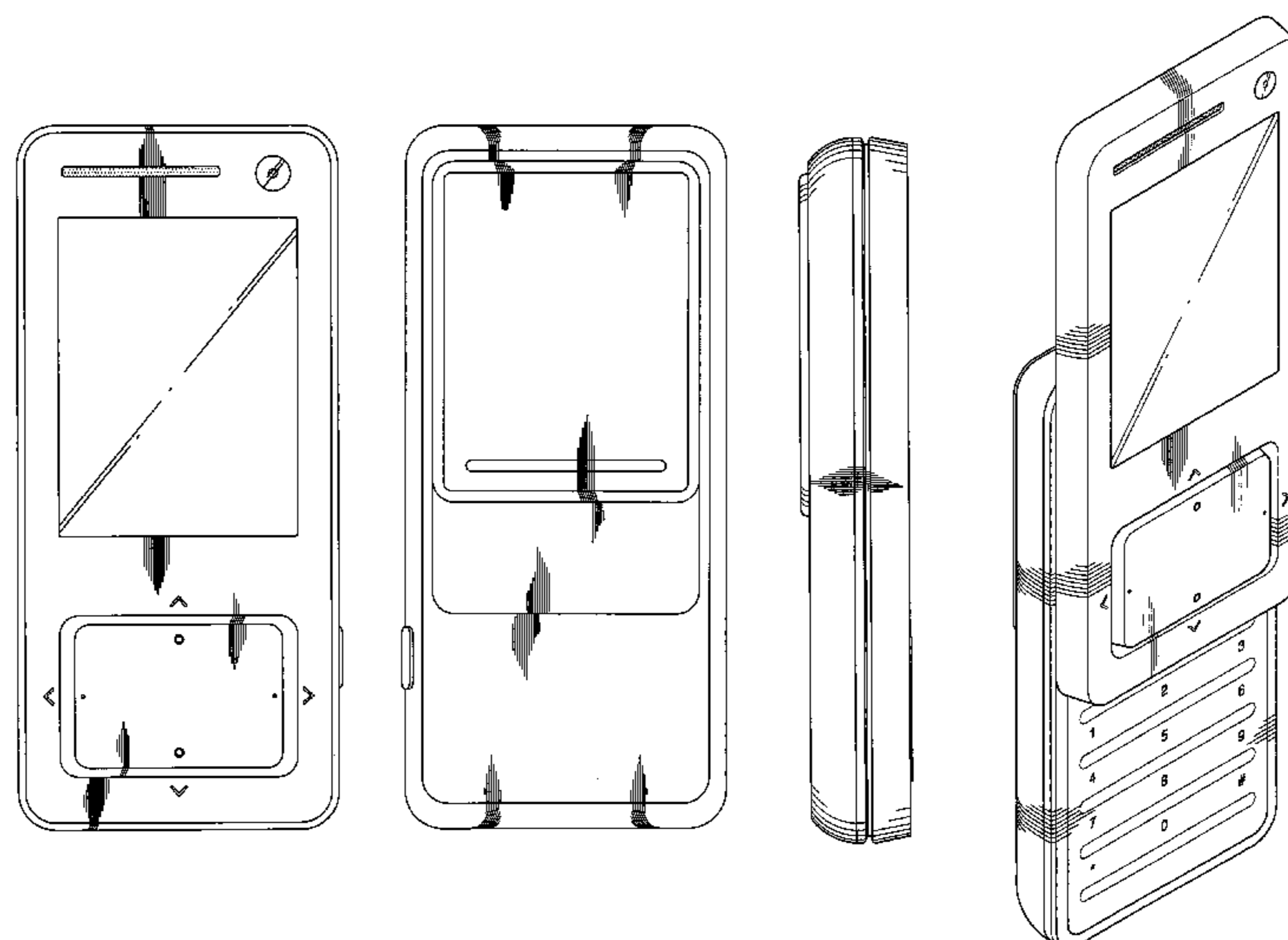
(57) **CLAIM**

The ornamental design for a mobile phone, as shown and described.

DESCRIPTION

FIG. 1 is a perspective view of a mobile phone;
FIG. 2 is a front view of the mobile phone of FIG. 1;
FIG. 3 is a rear view of the mobile phone of FIG. 1;
FIG. 4 is left-side of the mobile phone of FIG. 1;
FIG. 5 is right-side of the mobile phone of FIG. 1;
FIG. 6 is top plan view of the mobile phone of FIG. 1;
FIG. 7 is bottom plan view of the mobile phone of FIG. 1; and,
FIG. 8 is an open perspective view of the mobile phone of FIG. 1.

1 Claim, 6 Drawing Sheets



US D576,989 S

Page 2

U.S. PATENT DOCUMENTS

D560,192 S * 1/2008 Lee et al. D14/138
D561,148 S * 2/2008 Chen et al. D14/138
D561,204 S * 2/2008 Toh D14/496
D563,804 S * 3/2008 Kimura et al. D10/65
D563,929 S * 3/2008 Park D14/138
2005/0277439 A1 * 12/2005 Brelo et al. 455/556.2
2007/0049358 A1 * 3/2007 Kang et al. 455/575.1
2007/0242048 A1 * 10/2007 Yang 345/169

OTHER PUBLICATIONS

Asus J501, announced Feb. 2007, [online], [retrieved on Sep. 15, 2007]. Retrieved from Internet ,<URL: <http://www.gsmarena.com>>.*

BenQ-Siemens EL71, announced Feb. 2006, [online], [retrieved on Feb. 16, 2007]. Retrieved from Internet ,<URL: <http://www.gsmarena.com>>.*

* cited by examiner

FIG. 1

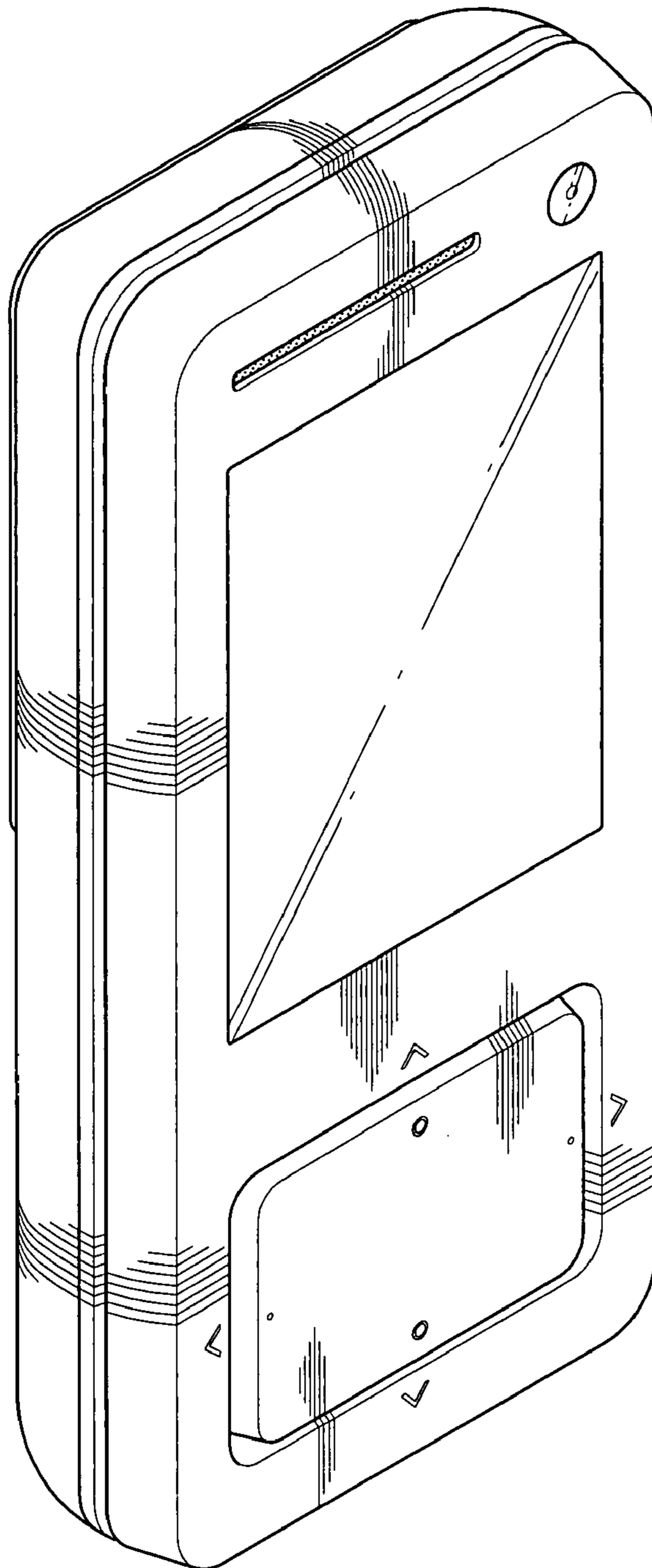


FIG. 2

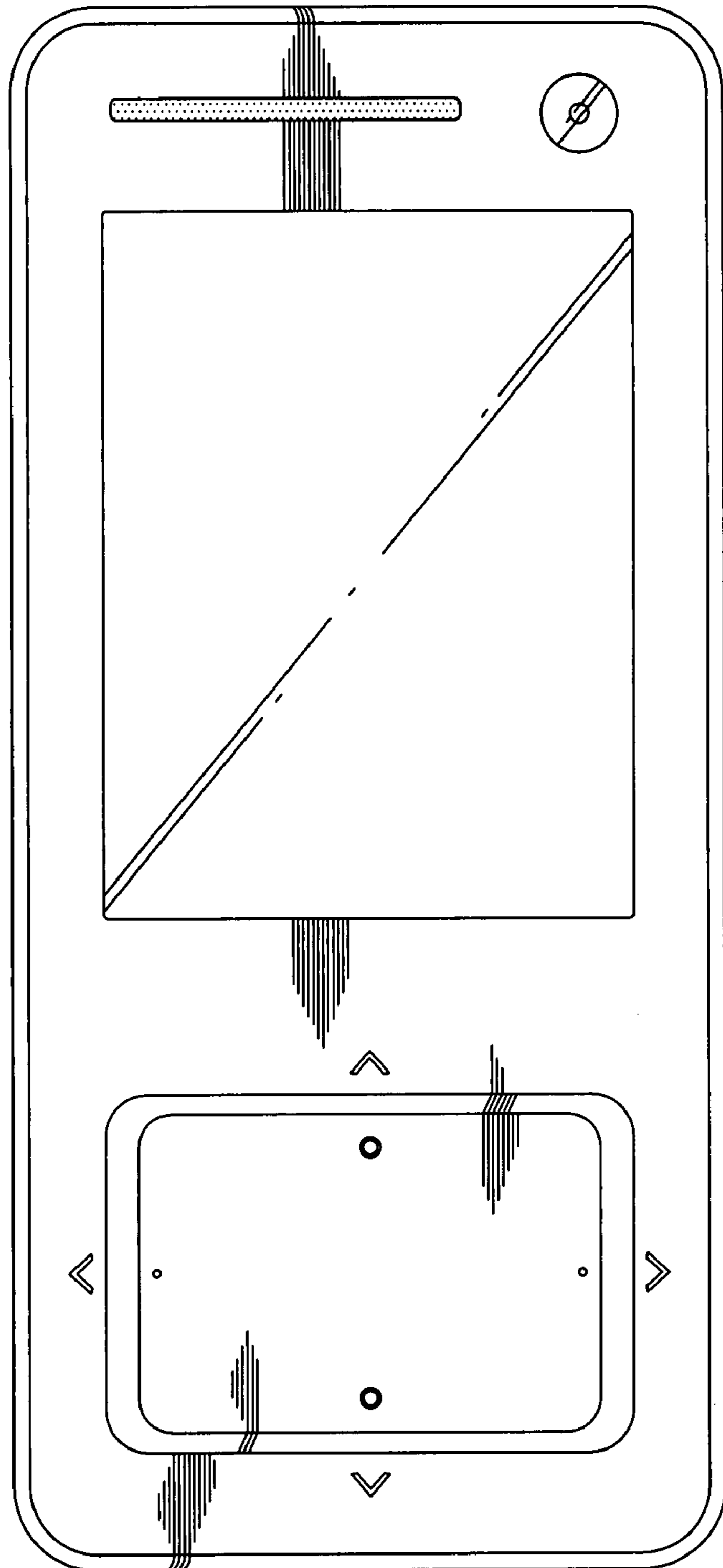


FIG. 3

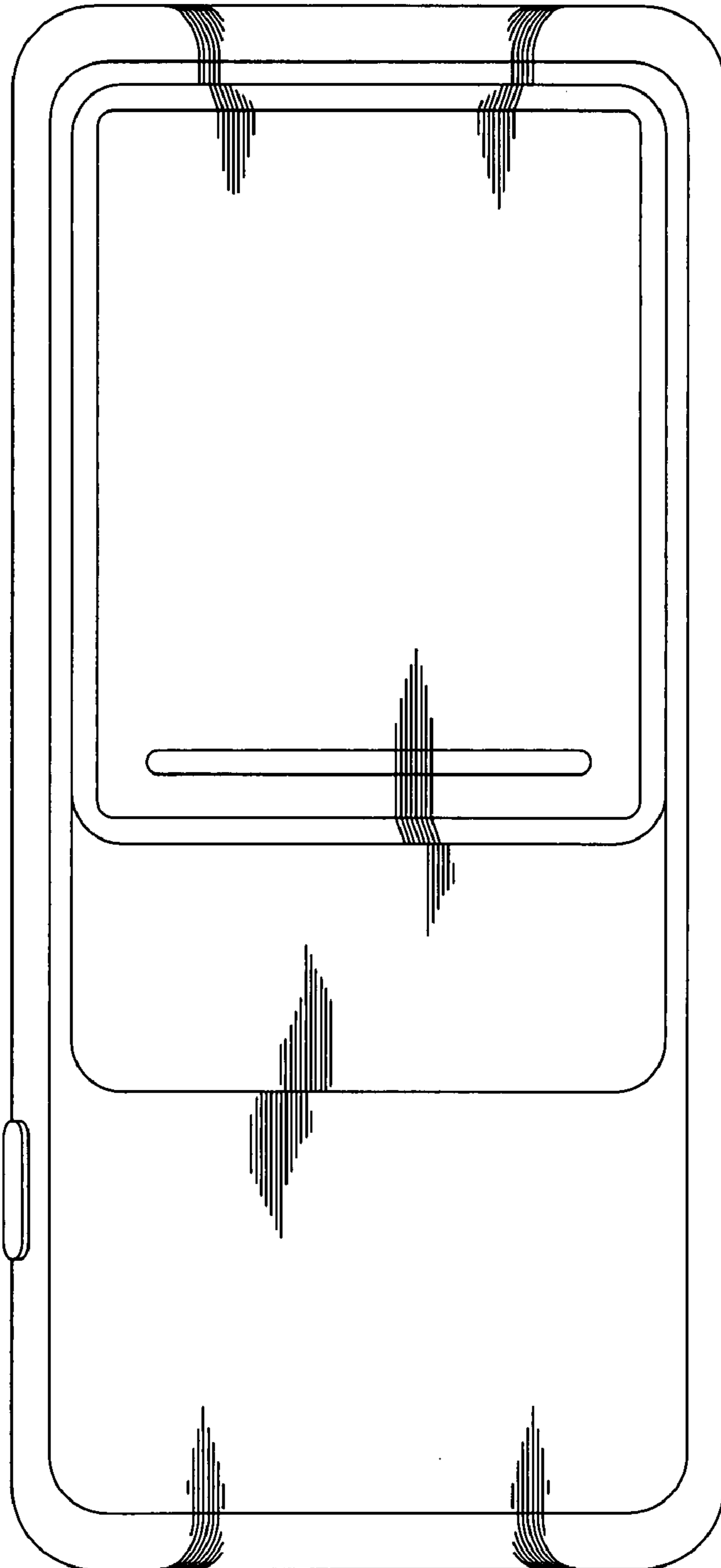


FIG. 4

FIG. 5

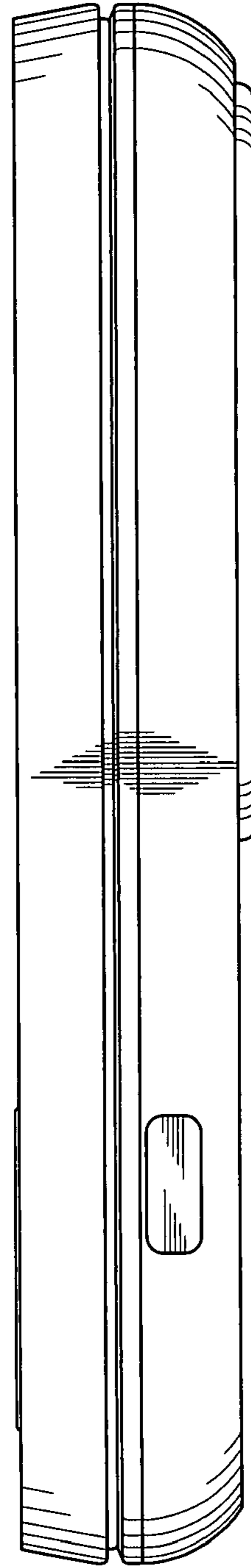
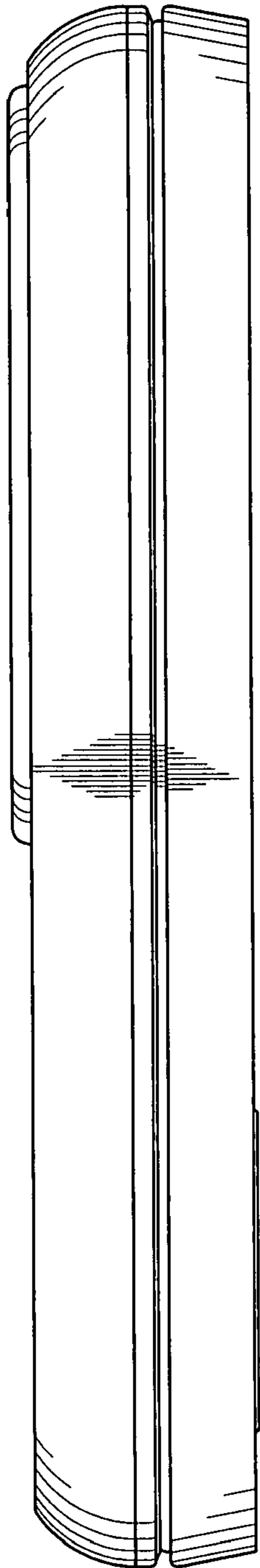


FIG. 6

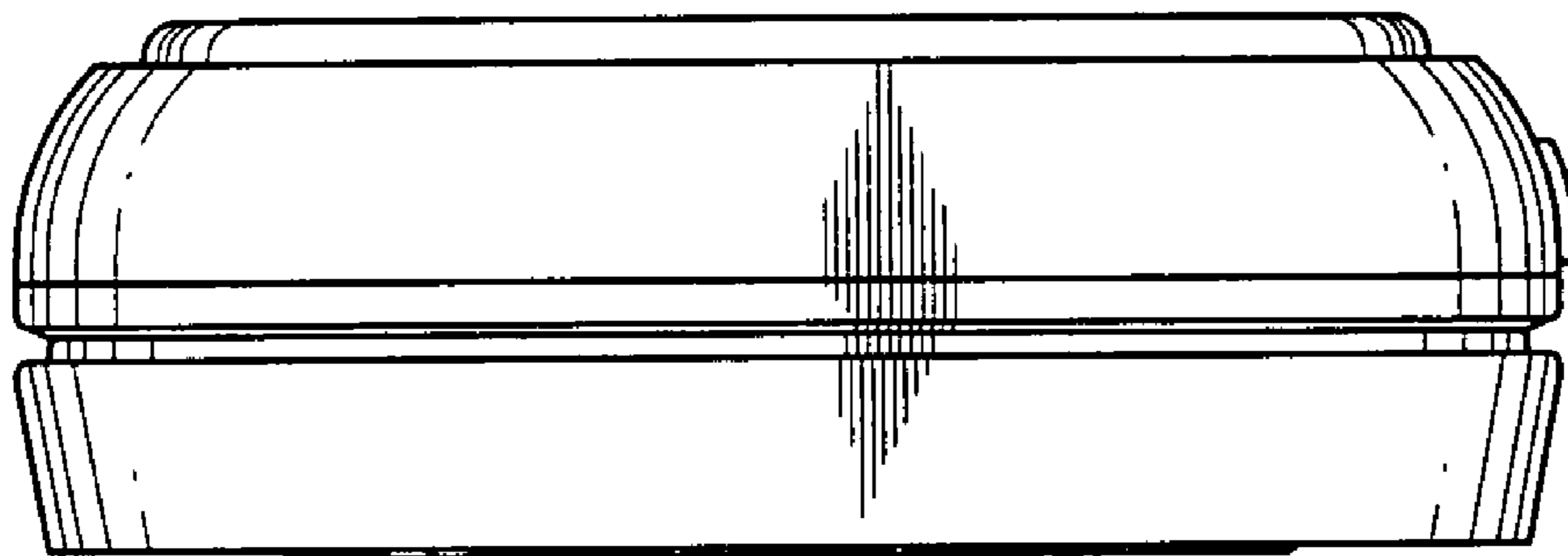


FIG. 7

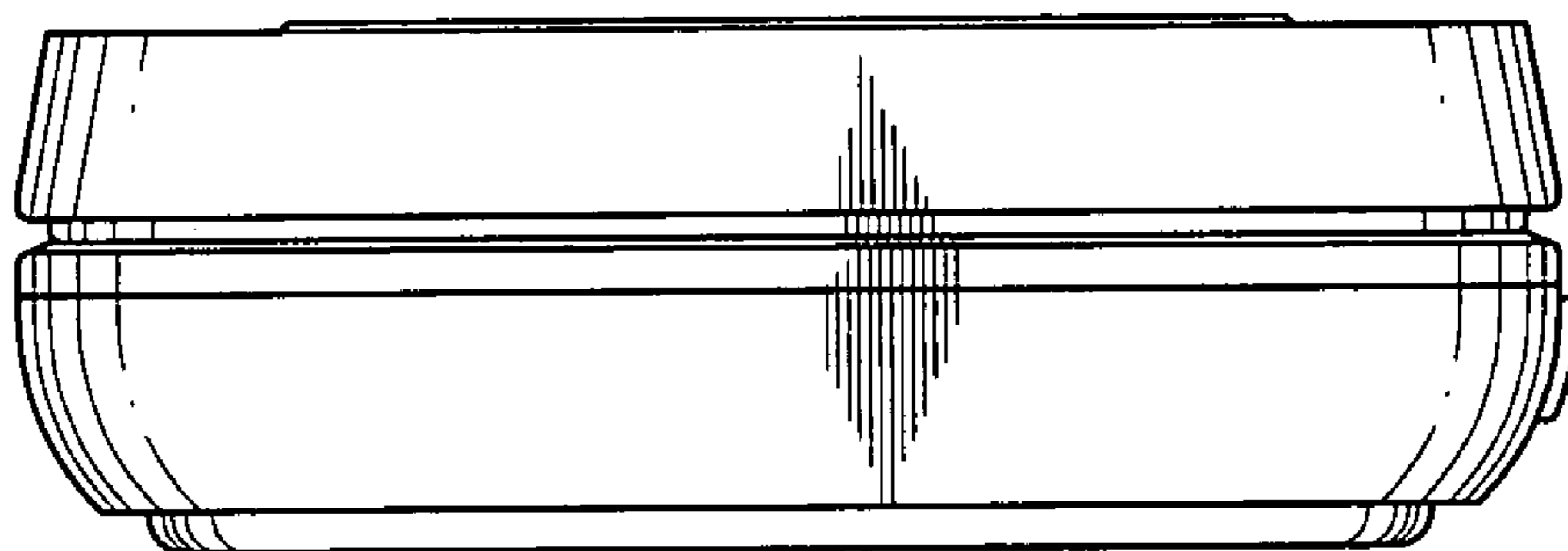


FIG. 8

