



US00D576987S

(12) **United States Design Patent**
Minamide et al.

(10) **Patent No.:** **US D576,987 S**
(45) **Date of Patent:** **** Sep. 16, 2008**

(54) **MOBILE PHONE**

(75) Inventors: **Keiichi Minamide**, Tokyo (JP);
Jong-Seong Lee, Seoul (KR); **Yusuru Masuda**, Tokyo (JP)

(73) Assignee: **Samsung Electronics Co., Ltd.**,
Suwon-Si (KR)

(**) Term: **14 Years**

(21) Appl. No.: **29/287,447**

(22) Filed: **Aug. 9, 2007**

(30) **Foreign Application Priority Data**

Jun. 18, 2007 (KR) 30-2007-0026036

(51) **LOC (8) Cl.** **14-03**

(52) **U.S. Cl.** **D14/138**

(58) **Field of Classification Search** D14/138,
D14/496, 341-347; 455/575.3, 575.1
See application file for complete search history.

(56) **References Cited**

U.S. PATENT DOCUMENTS

6,230,028 B1 *	5/2001	Shirakawa	455/566
D455,135 S *	4/2002	Hyun	D14/138
D459,330 S *	6/2002	Suzuki et al.	D14/138
D486,464 S *	2/2004	Lee	D14/138
D486,809 S *	2/2004	Hwang	D14/138
D501,189 S *	1/2005	Lodato et al.	D14/138
D506,985 S *	7/2005	Koo et al.	D14/138
D517,517 S *	3/2006	Li et al.	D14/138
D533,876 S *	12/2006	Kim	D14/496
D535,959 S *	1/2007	Cho et al.	D14/138
D536,685 S *	2/2007	Feng et al.	D14/138
7,181,253 B2 *	2/2007	Kim	455/575.1
D540,767 S *	4/2007	Kim et al.	D14/138
7,269,443 B2 *	9/2007	Park et al.	455/556.2
D556,719 S *	12/2007	Lee	D14/138
D560,643 S *	1/2008	Kim et al.	D14/138
D563,359 S *	3/2008	Kim et al.	D14/138
D565,004 S *	3/2008	Oh et al.	D14/138

D566,081 S *	4/2008	Kim et al.	D14/138
D566,087 S *	4/2008	Choi	D14/138
D566,670 S *	4/2008	Huang	D14/138
D566,675 S *	4/2008	Lee	D14/138
7,352,330 B2 *	4/2008	Komine	343/702
D568,278 S *	5/2008	Kim et al.	D14/138
2004/0174430 A1 *	9/2004	Sawahara et al.	348/14.02
2006/0105820 A1 *	5/2006	Takahashi	455/575.1
2006/0142053 A1 *	6/2006	Garcia et al.	455/556.1

OTHER PUBLICATIONS

Samsung E230 telephone, announced Aug. 2007, [online], [site visited May 7, 2008]. Available from Internet ,<URL: <http://www.gsmarena.com>>.*

Samsung E750 telephone, announced 1st quarter 2005, [online], [site visited May 7, 2008]. Available from Internet ,<URL: <http://www.gsmarena.com>>.*

Motorola V220 telephone, announced 4th quarter 2003, [online], [site visited May 7, 2008]. Available from Internet ,<URL: <http://www.gsmarena.com>>.*

i-mate Smartflip telephone, announced Feb. 2006, [online], [site visited May 7, 2008]. Available from Internet ,<URL: <http://www.gsmarena.com>>.*

(Continued)

Primary Examiner—Jeffrey D Asch

(74) *Attorney, Agent, or Firm*—Staas & Halsey LLP

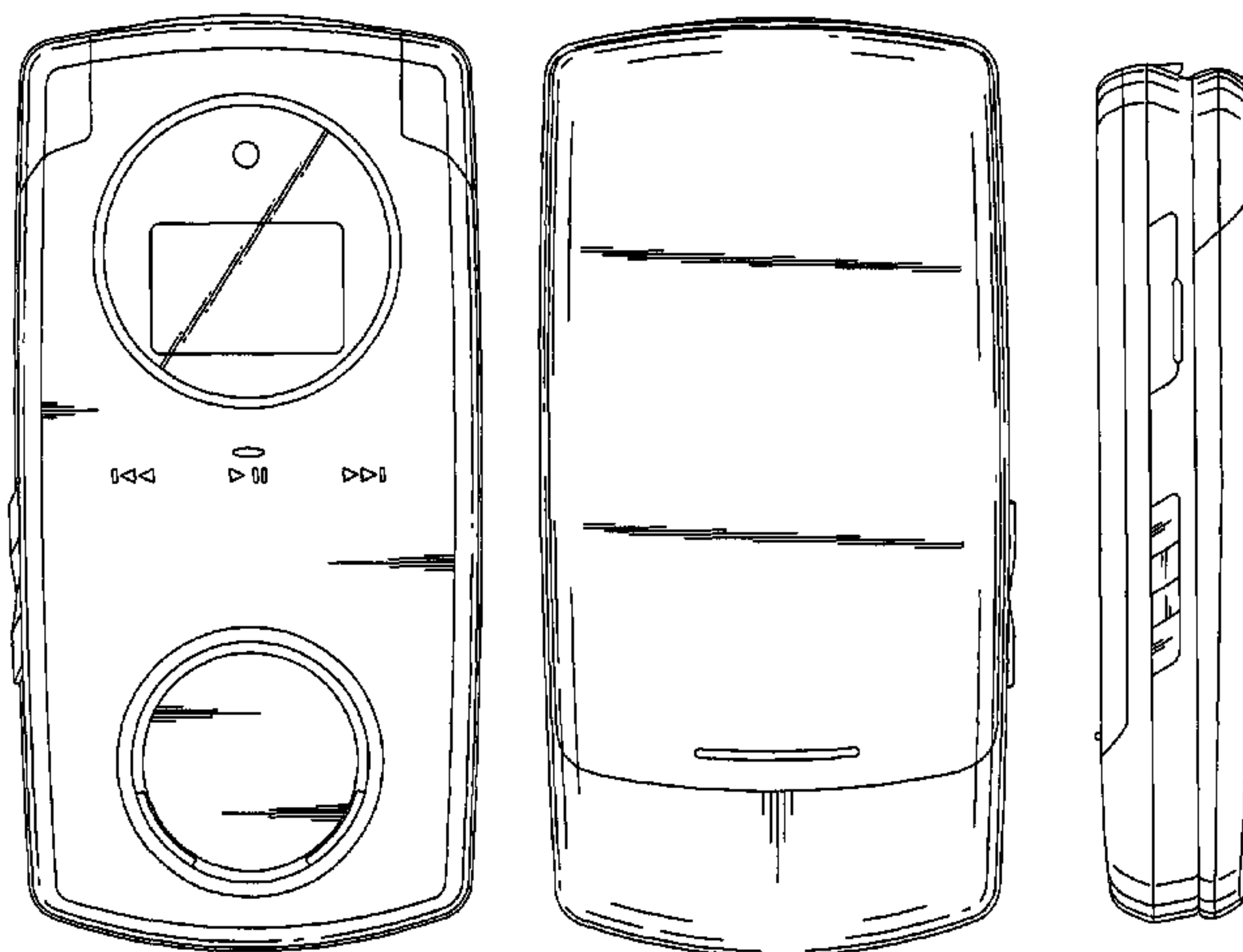
(57) **CLAIM**

The ornamental design for a mobile phone, as shown and described.

DESCRIPTION

FIG. 1 is a perspective view of a mobile phone;
FIG. 2 is a front view of the mobile phone of FIG. 1;
FIG. 3 is a rear view of the mobile phone of FIG. 1;
FIG. 4 is left-side of the mobile phone of FIG. 1;
FIG. 5 is right-side of the mobile phone of FIG. 1;
FIG. 6 is top plan view of the mobile phone of FIG. 1; and,
FIG. 7 is bottom plan view of the mobile phone of FIG. 1.

1 Claim, 5 Drawing Sheets



OTHER PUBLICATIONS

Qtek 8500 telephone, announced Feb. 2006, [online], [site visited May 7, 2008]. Available from Internet ,<URL: <http://www.gsmarena.com>>.*

Sagem MY C-5w telephone, announced 3rd quarter 2003, [online], [site visited May 7, 2008]. Available from Internet ,<URL: <http://www.gsmarena.com>>.*

Philips 655 telephone, announced 3rd quarter 2004, [online], [site visited May 7, 2008]. Available from Internet ,<URL: <http://www.gsmarena.com>>.*

NEC 804N telephone, announced Apr. 2006, [online], [site visited May 7, 2008]. Available from Internet ,<URL: <http://www.gsmarena.com>>.*

Bird M01 telephone, announced 2007, [online], [site visited May 7, 2008]. Available from Internet ,<URL: <http://www.gsmarena.com>>.*

Motorola V188 telephone, announced 4th quarter 2004, [online], [site visited May 7, 2008]. Available from Internet ,<URL: <http://www.gsmarena.com>>.*

Sharp TM200 telephone, announced 4th quarter 2004, [online], [site visited May 7, 2008]. Available from Internet ,<URL: <http://www.gsmarena.com>>.*

* cited by examiner

FIG. 1

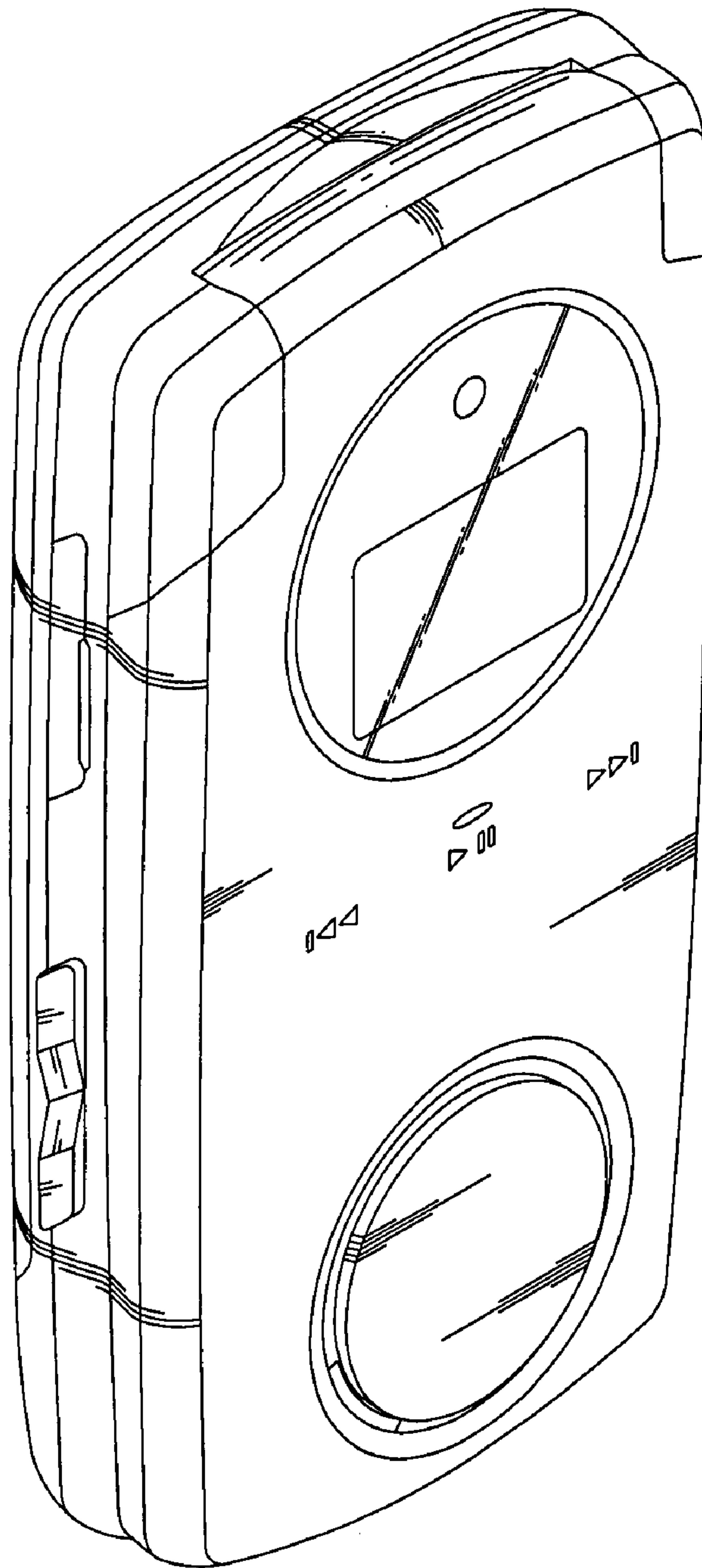


FIG. 2

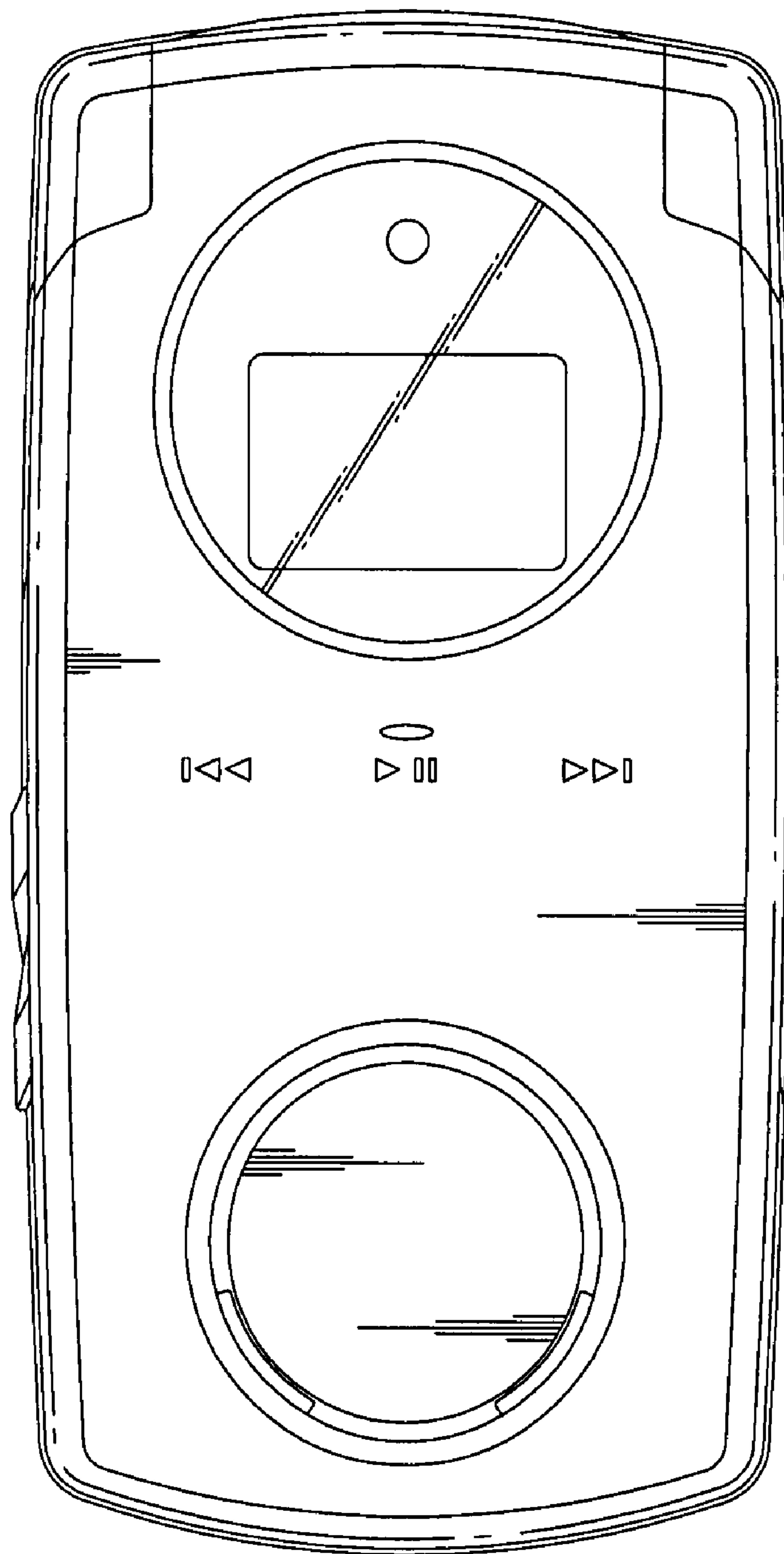


FIG. 3

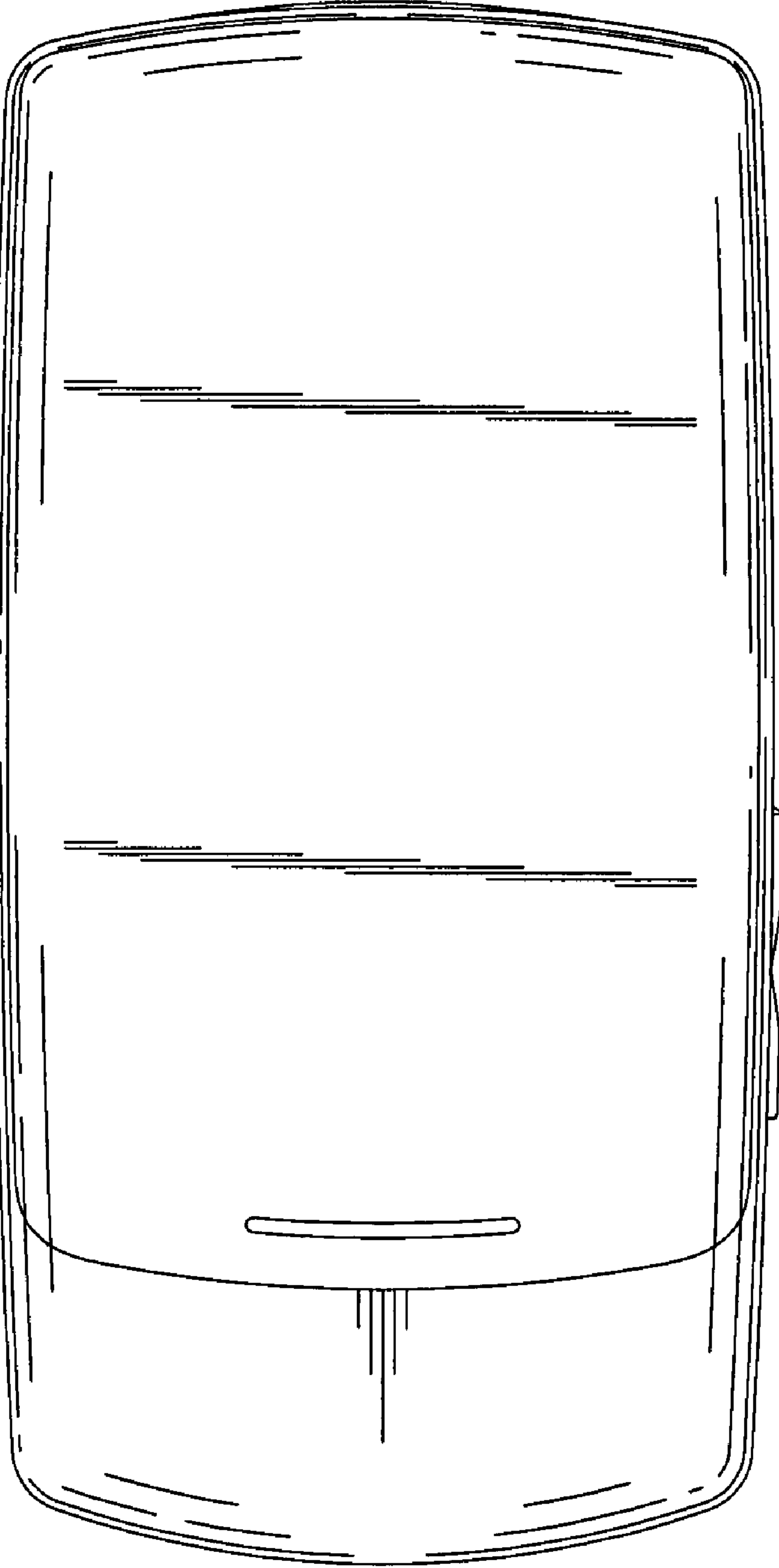


FIG. 4

FIG. 5

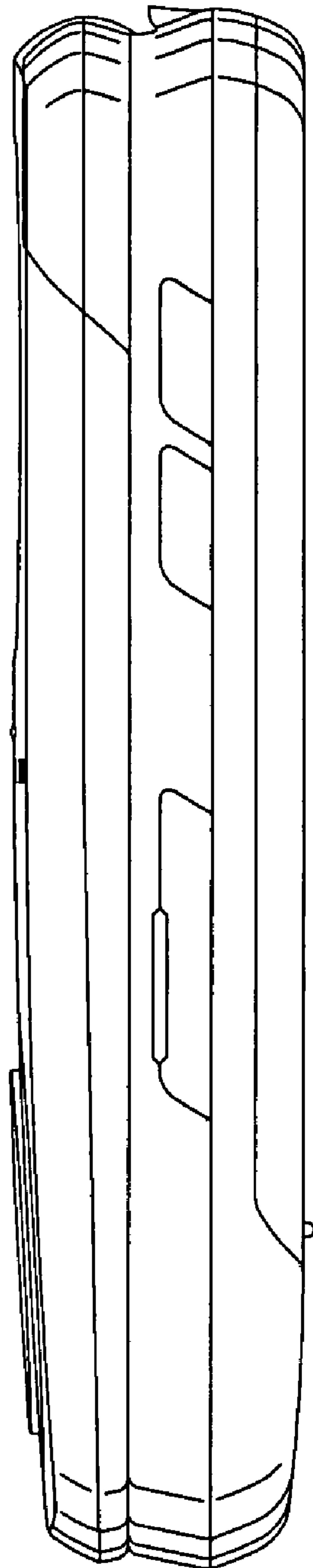
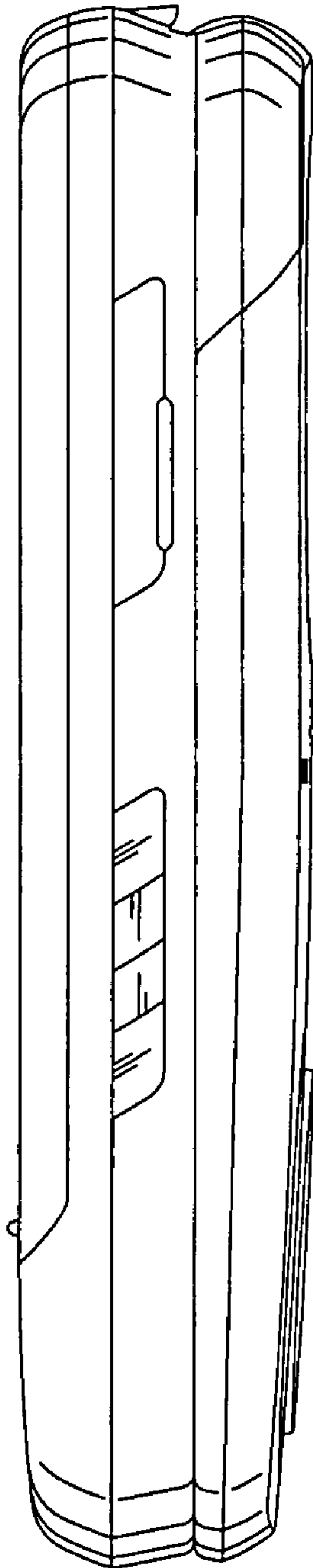


FIG. 6

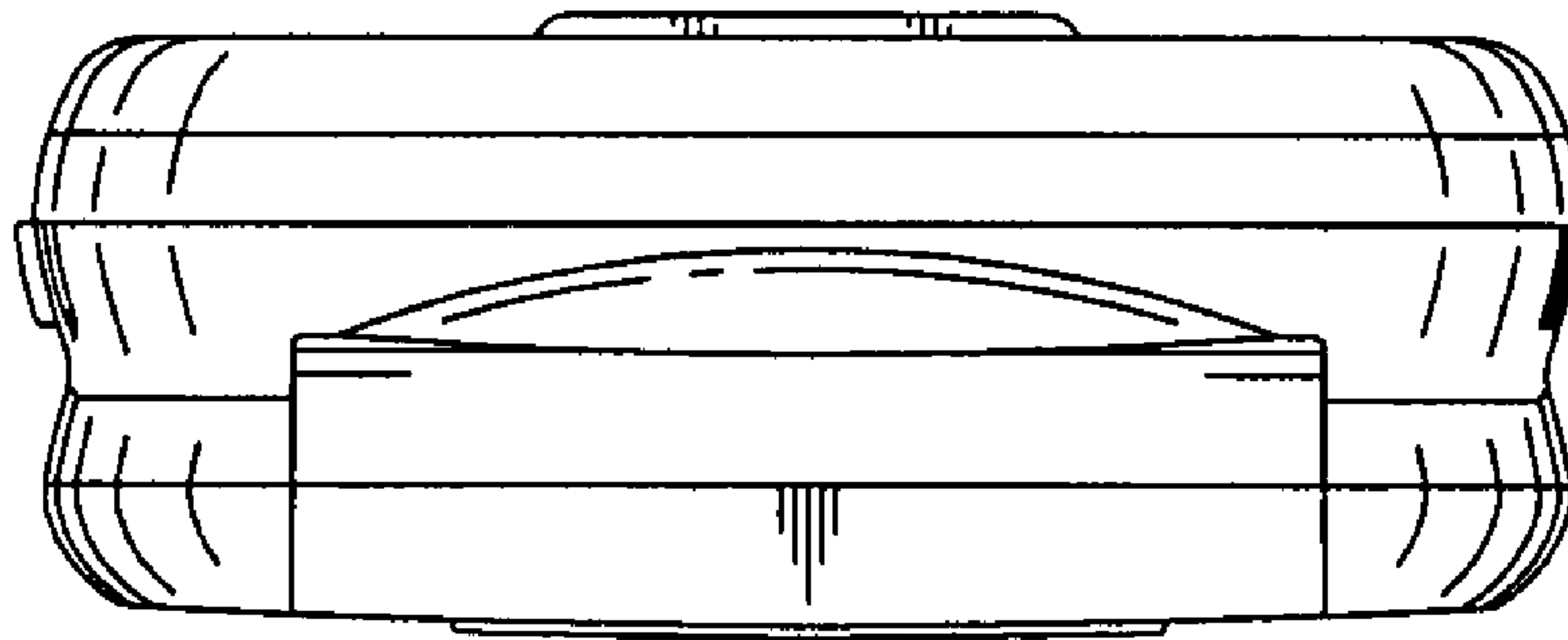


FIG. 7

