



US00D576982S

(12) **United States Design Patent**
Seo

(10) **Patent No.:** **US D576,982 S**

(45) **Date of Patent:** **** Sep. 16, 2008**

(54) **MOBILE PHONE**

(75) Inventor: **Hyun Seung Seo**, Seoul (KR)

(73) Assignee: **LG Electronics Inc.**, Seoul (KR)

(**) Term: **14 Years**

(21) Appl. No.: **29/262,873**

(22) Filed: **Jul. 13, 2006**

(30) **Foreign Application Priority Data**

Jan. 16, 2006 (KR) 30-2006-0001652

(51) **LOC (8) Cl.** **14-03**

(52) **U.S. Cl.** **D14/138**

(58) **Field of Classification Search** D14/496,
D14/138, 341-347; 455/575.3, 575.1; D21/517,
D21/329, 333

See application file for complete search history.

(56) **References Cited**

U.S. PATENT DOCUMENTS

D498,736 S *	11/2004	Lee	D14/138
D503,697 S *	4/2005	Kim	D14/138
D508,035 S *	8/2005	Kim et al.	D14/138
D513,505 S *	1/2006	Lee	D14/138
D517,517 S *	3/2006	Li et al.	D14/138
D519,969 S *	5/2006	Sutherland et al.	D14/138
D521,480 S *	5/2006	Ou et al.	D14/138
D521,968 S *	5/2006	Jung et al.	D14/138
D534,145 S *	12/2006	Lheem	D14/138
D534,893 S *	1/2007	Jo et al.	D14/138
D535,959 S *	1/2007	Cho et al.	D14/138
D536,319 S *	2/2007	Kim	D14/138
D537,059 S *	2/2007	Hwang	D14/138
D537,061 S *	2/2007	Oh	D14/138
D537,808 S *	3/2007	Lee	D14/156
D540,767 S *	4/2007	Kim et al.	D14/138
D540,769 S *	4/2007	Lee et al.	D14/138
D541,248 S *	4/2007	Lee et al.	D14/138
D545,287 S *	6/2007	Han et al.	D14/138
D545,796 S *	7/2007	Kim et al.	D14/138
D546,313 S *	7/2007	Lheem	D14/138
D549,680 S *	8/2007	Lee et al.	D14/138
D551,639 S *	9/2007	Kim	D14/138
D552,057 S *	10/2007	Kim	D14/138

2004/0192220 A1* 9/2004 Huang et al. 455/74

OTHER PUBLICATIONS

Samsung E230 telephone, announced Aug. 2007, [online], [site visited Dec. 16, 2007]. Available from Internet ,<URL: http://www.gsmarena.com>.*

Nokia N71 telephone, announced 4th quarter 2005, [online], [site visited Dec. 16, 2007]. Available from Internet ,<URL: http://www.gsmarena.com>.*

Samsung X900, announced 1st quarter 2004, [online], [site visited Dec. 16, 2007]. Available from Internet ,<URL: http://www.gsmarena.com>.*

Motorola V220, announced 4th quarter 2003, [online], [site visited Dec. 16, 2007]. Available from Internet ,<URL: http://www.gsmarena.com>.*

Alcatel OT 835, announced 1st quarter 2004, [online], [site visited Dec. 16, 2007]. Available from Internet ,<URL: http://www.gsmarena.com>.*

Sagem my9000C telephone, announced Mar. 2006, [online], [site visited Dec. 16, 2007]. Available from Internet ,<URL: http://www.gsmarena.com>.*

Bird M01 telephone, announced 2007, [online], [site visited Dec. 16, 2007]. Available from Internet ,<URL: http://www.gsmarena.com>.*

* cited by examiner

Primary Examiner—Jeffrey D Asch

(74) *Attorney, Agent, or Firm*—Birch, Stewart, Kolasch & Birch, LLP

(57) **CLAIM**

The ornamental design for a mobile phone, as shown and described.

DESCRIPTION

FIG. 1 is a perspective view of a mobile phone showing my (our) new design;

FIG. 2 is a front view thereof;

FIG. 3 is a rear view thereof;

FIG. 4 is a left side view thereof;

FIG. 5 is a right side view thereof;

FIG. 6 is a top plan view thereof; and,

FIG. 7 is a bottom plan view thereof.

1 Claim, 6 Drawing Sheets

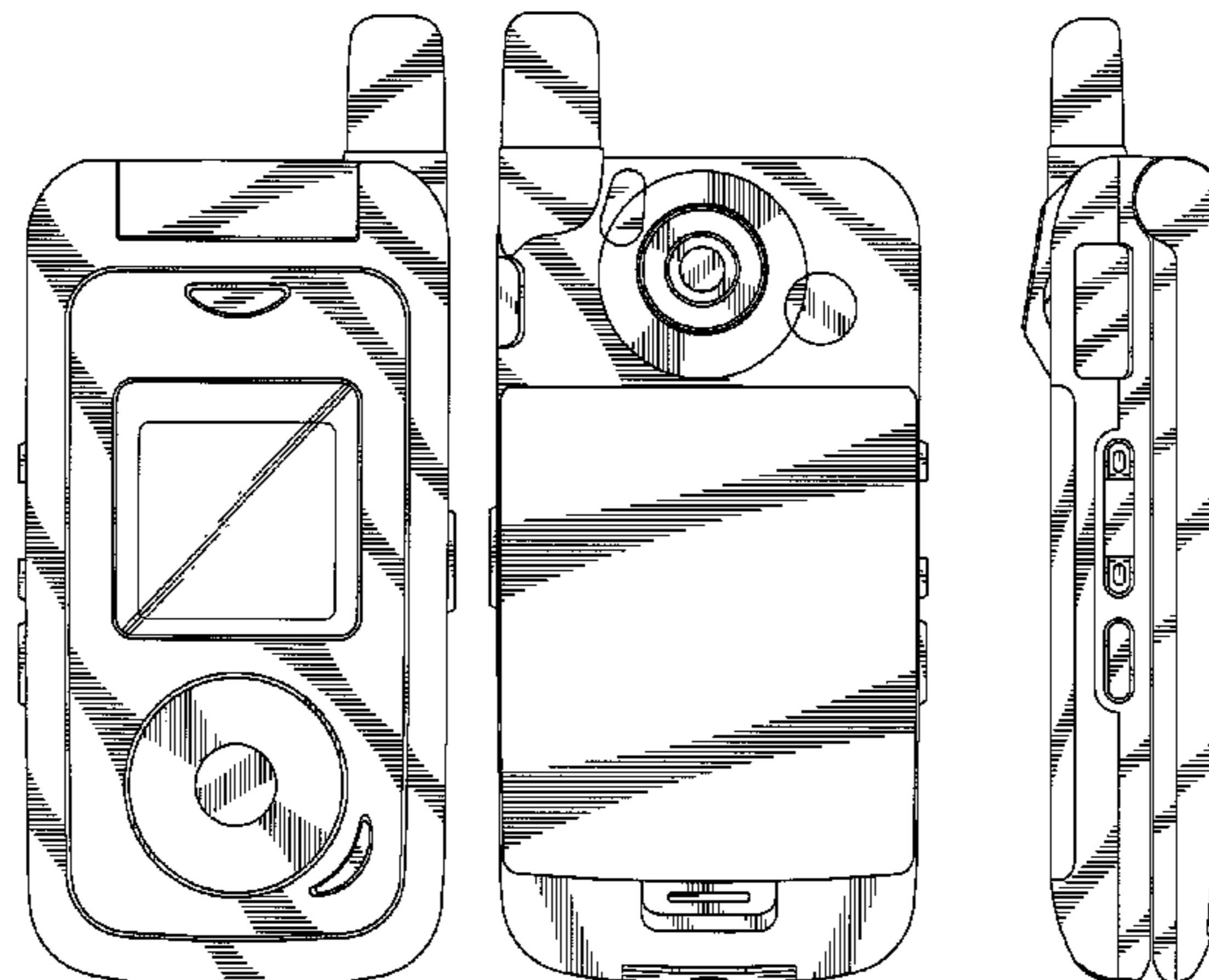


FIG. 1

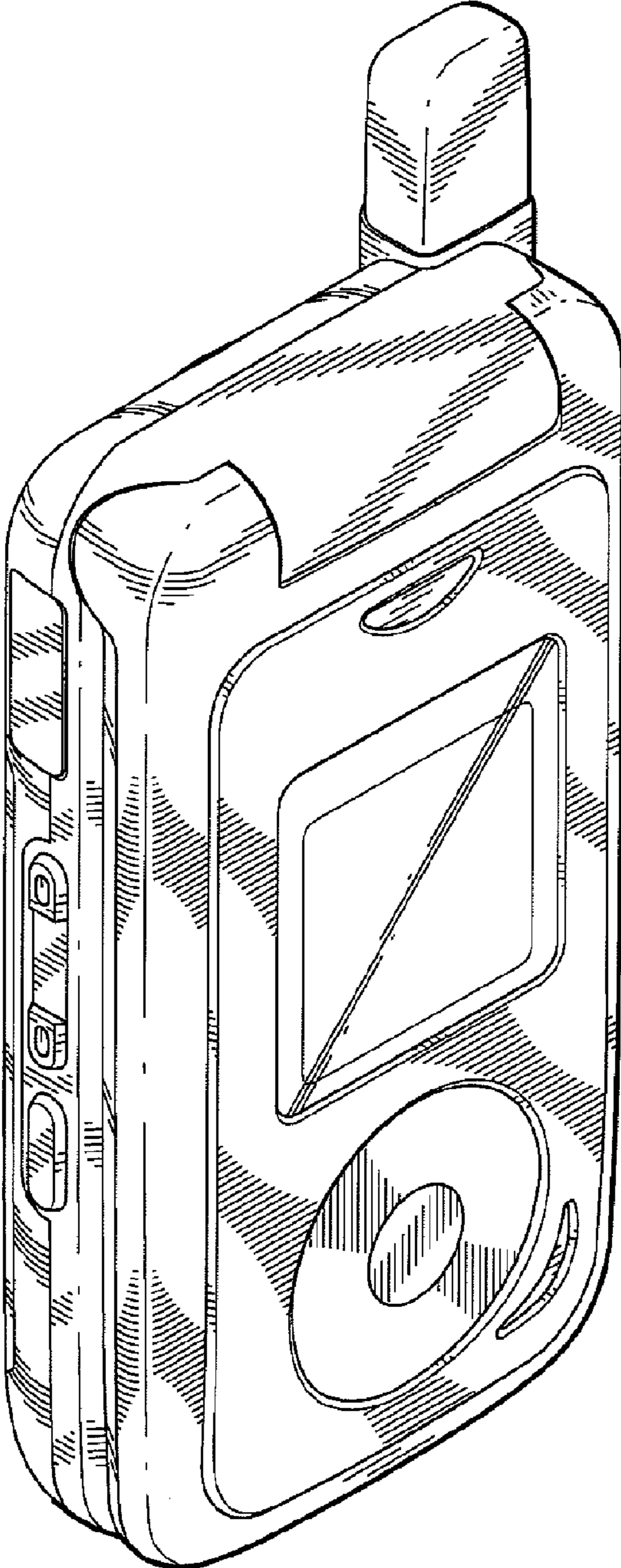


FIG. 2

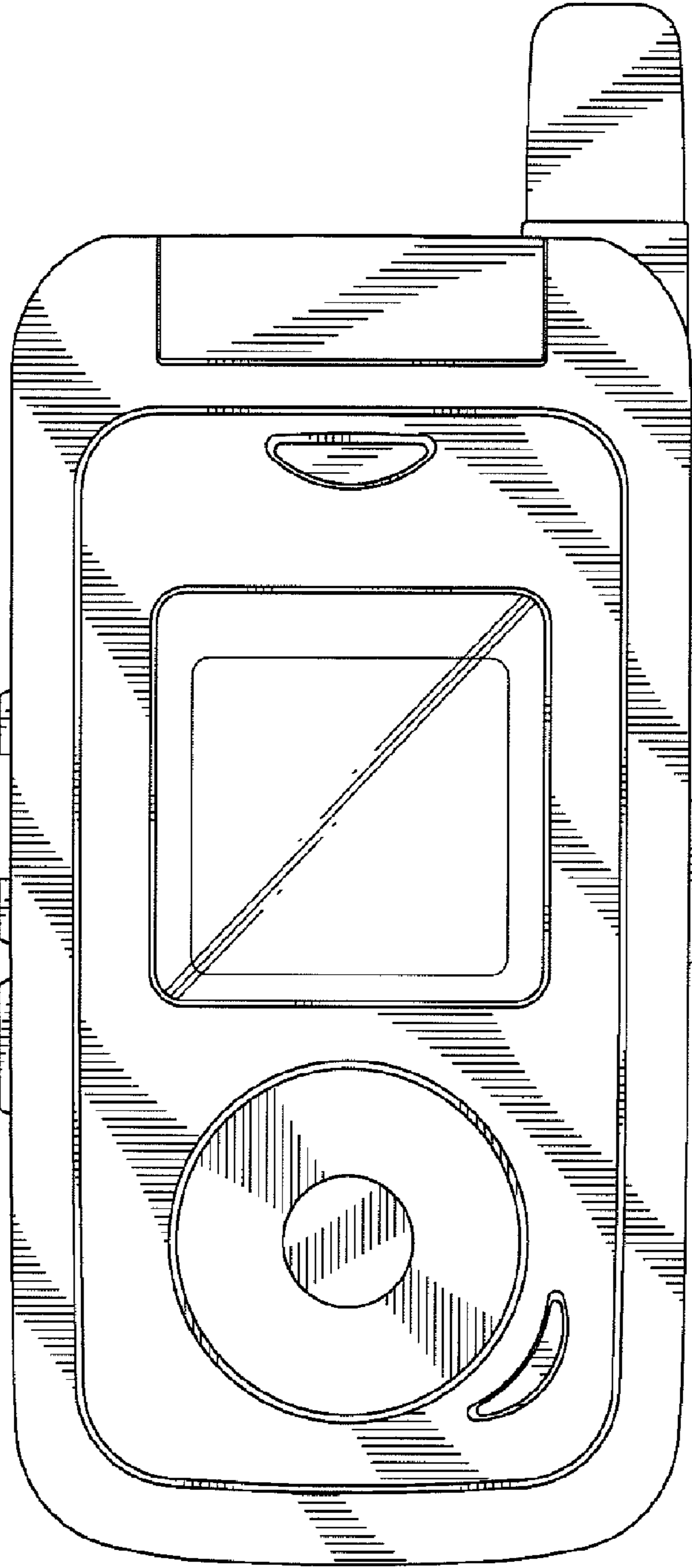


FIG. 3

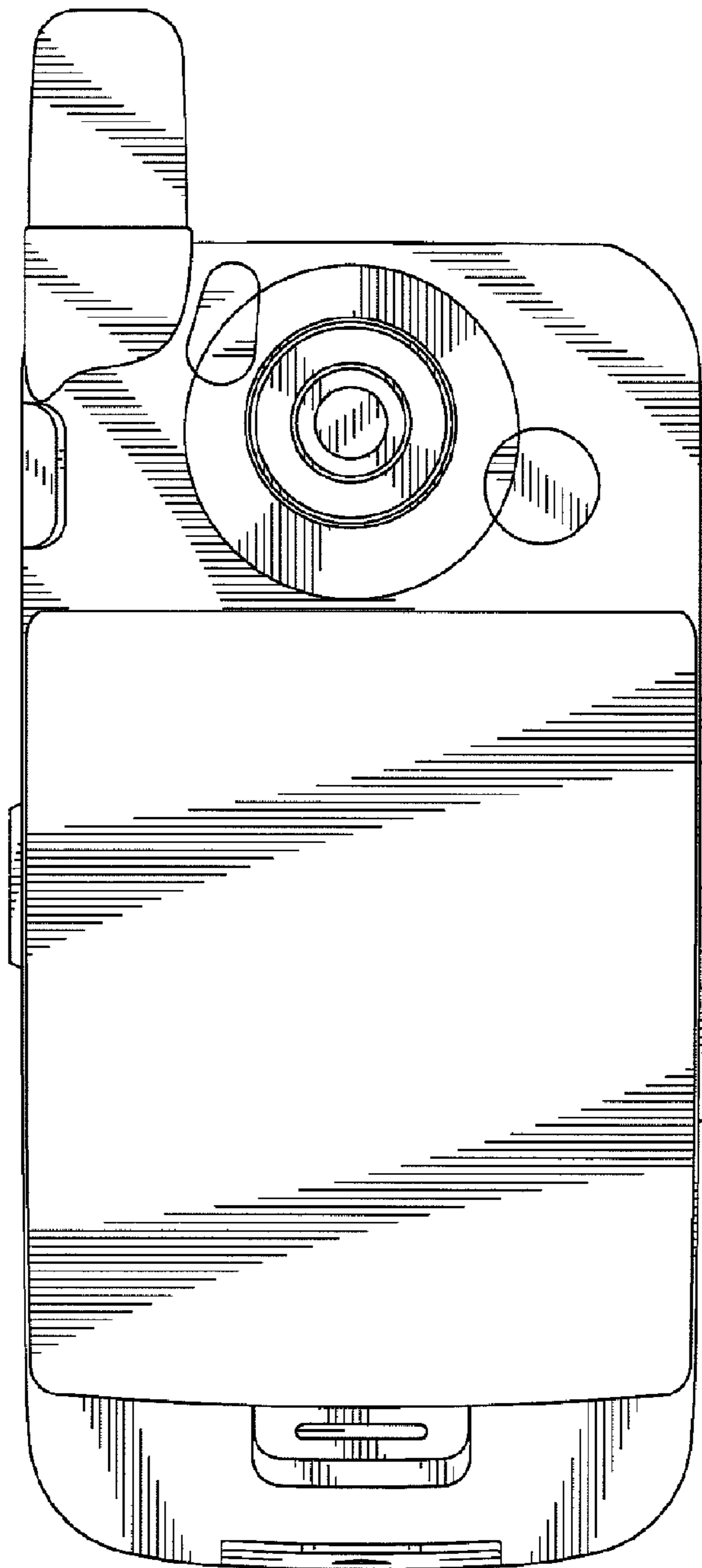


FIG. 4

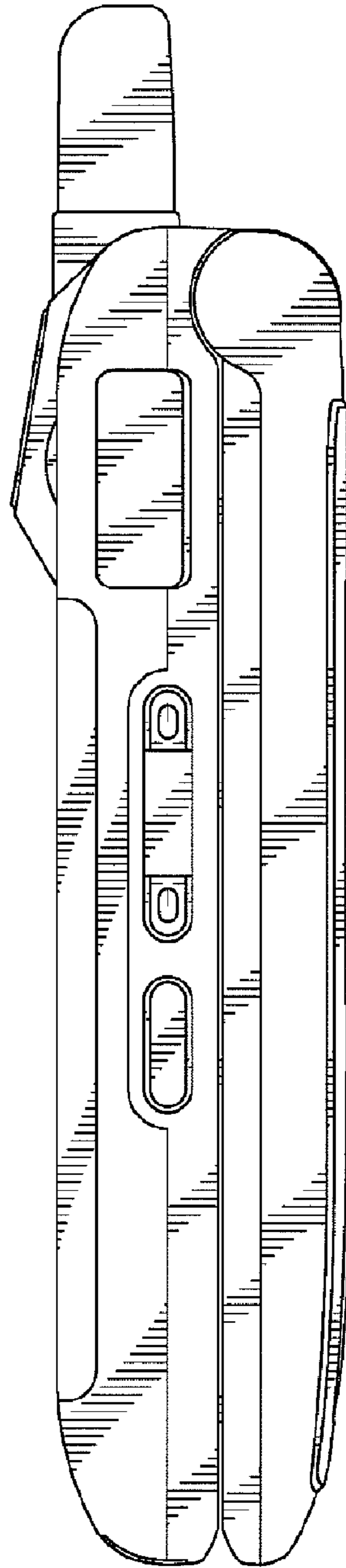


FIG. 5

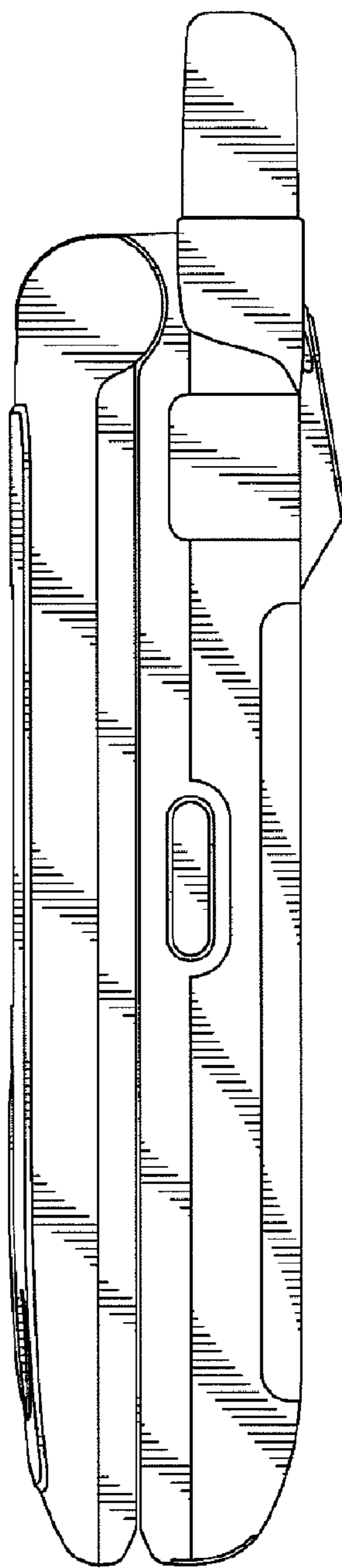


FIG. 6

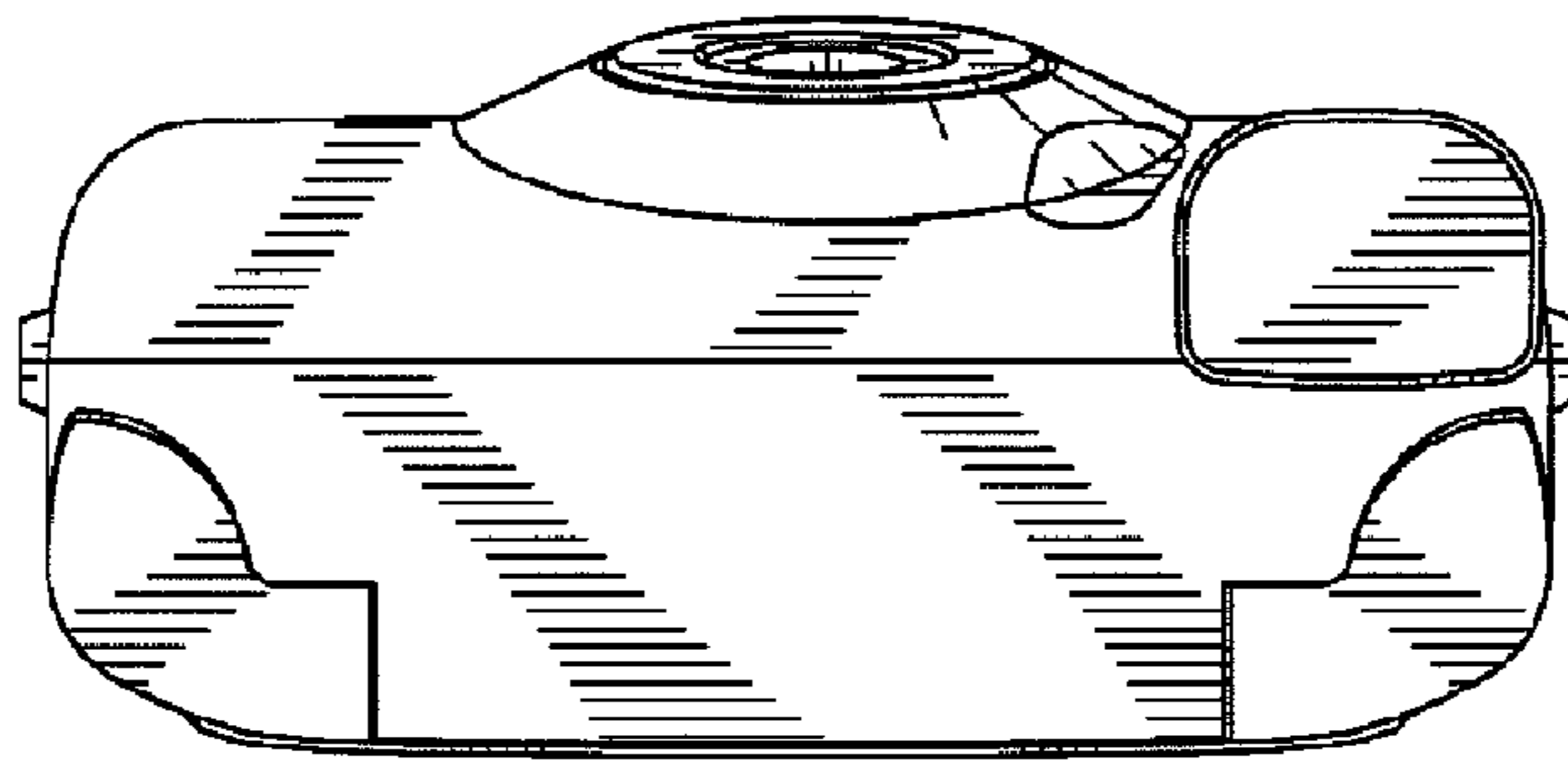


FIG. 7

