



US00D576979S

(12) **United States Design Patent**
Yagihashi

(10) **Patent No.:** **US D576,979 S**

(45) **Date of Patent:** **** Sep. 16, 2008**

(54) **DISC PLAYER**

(75) Inventor: **Tatsuya Yagihashi**, Tokyo (JP)

(73) Assignee: **Sony Corporation**, Tokyo (JP)

(**) Term: **14 Years**

(21) Appl. No.: **29/290,011**

(22) Filed: **Oct. 11, 2007**

(30) **Foreign Application Priority Data**

Jun. 29, 2007 (CN) 2007 3 0159942

(51) **LOC (8) Cl.** **14-01**

(52) **U.S. Cl.** **D14/136**

(58) **Field of Classification Search** D14/135-136,
D14/156-157, 167-168, 198, 188, 217, 257,
D14/258, 445; 360/99.02, 137, 99.07; 369/75.11,
369/75.21, 77.21, 77.11; 720/612, 619, 647,
720/655; 455/344, 347-351

See application file for complete search history.

(56) **References Cited**

U.S. PATENT DOCUMENTS

5,848,042 A * 12/1998 Takahashi et al. 720/647

D427,627 S 7/2000 Ikenaga
D475,690 S * 6/2003 Nose et al. D14/157
D532,007 S * 11/2006 Park D14/258
D538,776 S * 3/2007 Suzuki D14/156

* cited by examiner

Primary Examiner—Nanda Bondade

(74) *Attorney, Agent, or Firm*—Rader, Fishman & Grauer,
PLLC

(57) **CLAIM**

The ornamental design for a disc player, as shown.

DESCRIPTION

FIG. 1 is a perspective view of a disc player showing my new design;

FIG. 2 is a front elevational view thereof;

FIG. 3 is a rear elevational view thereof;

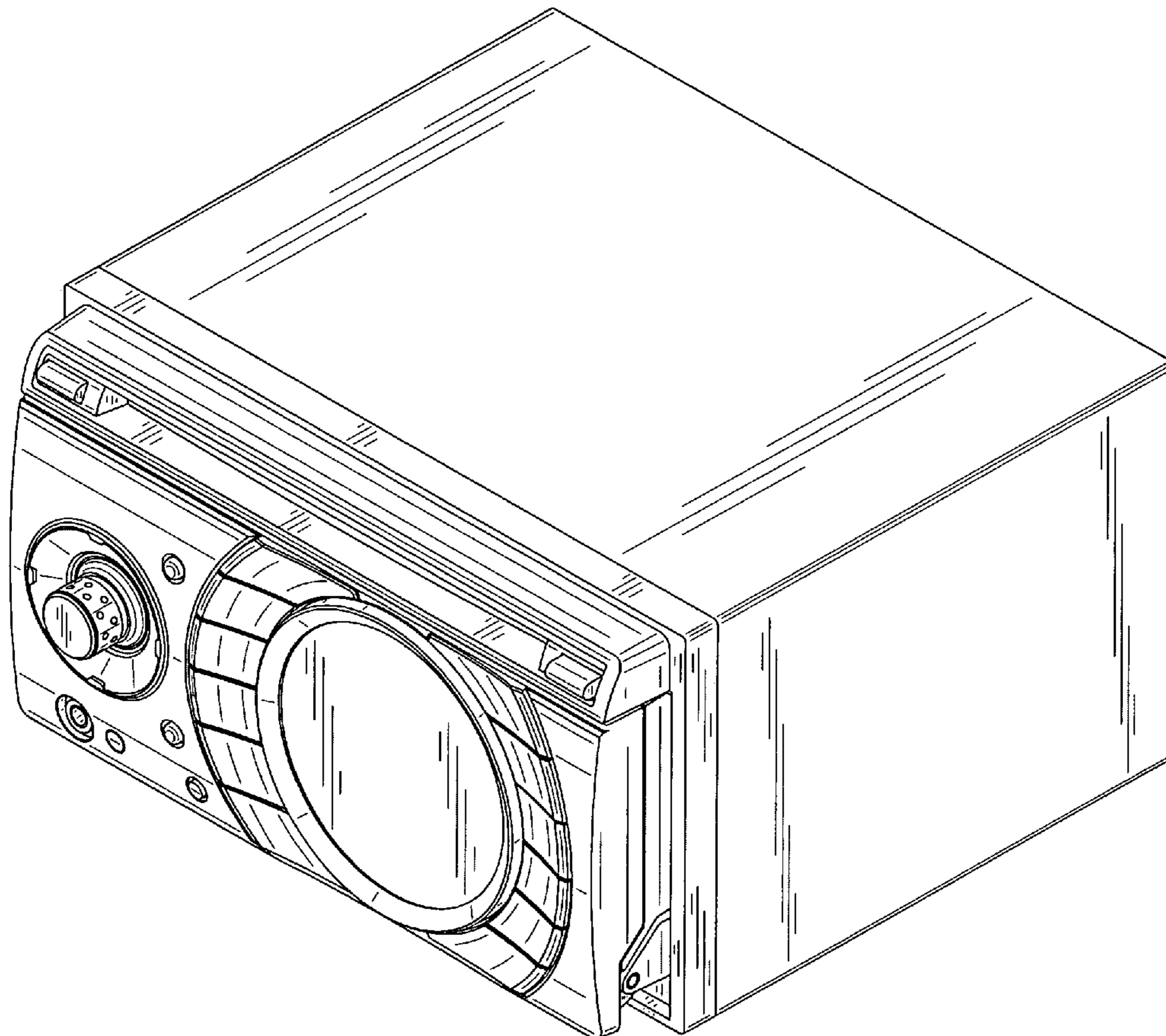
FIG. 4 is a left side elevational view thereof;

FIG. 5 is a right side elevational view thereof;

FIG. 6 is a top plan view thereof; and,

FIG. 7 is a bottom plan view thereof.

1 Claim, 7 Drawing Sheets



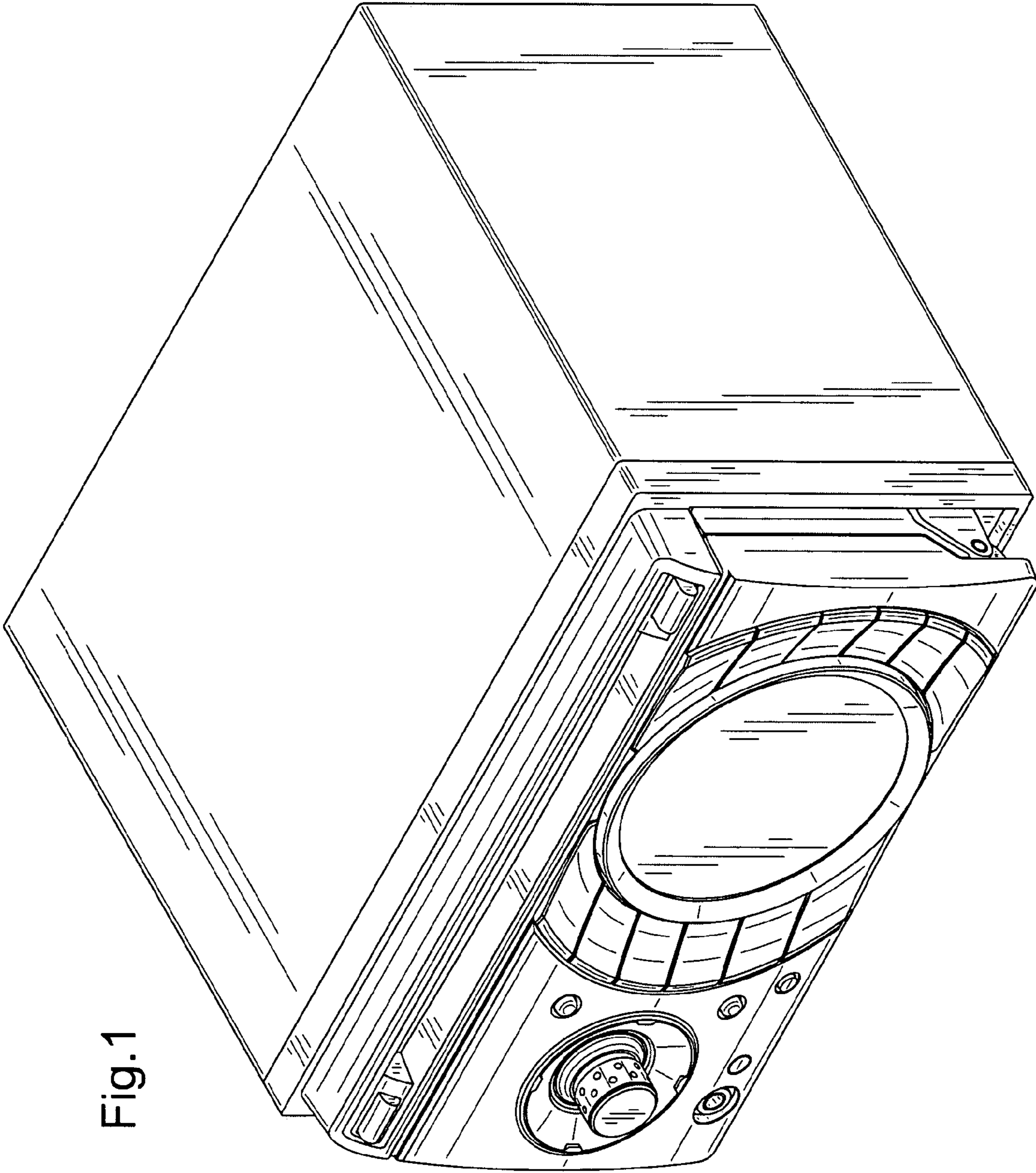


Fig.1

Fig.2

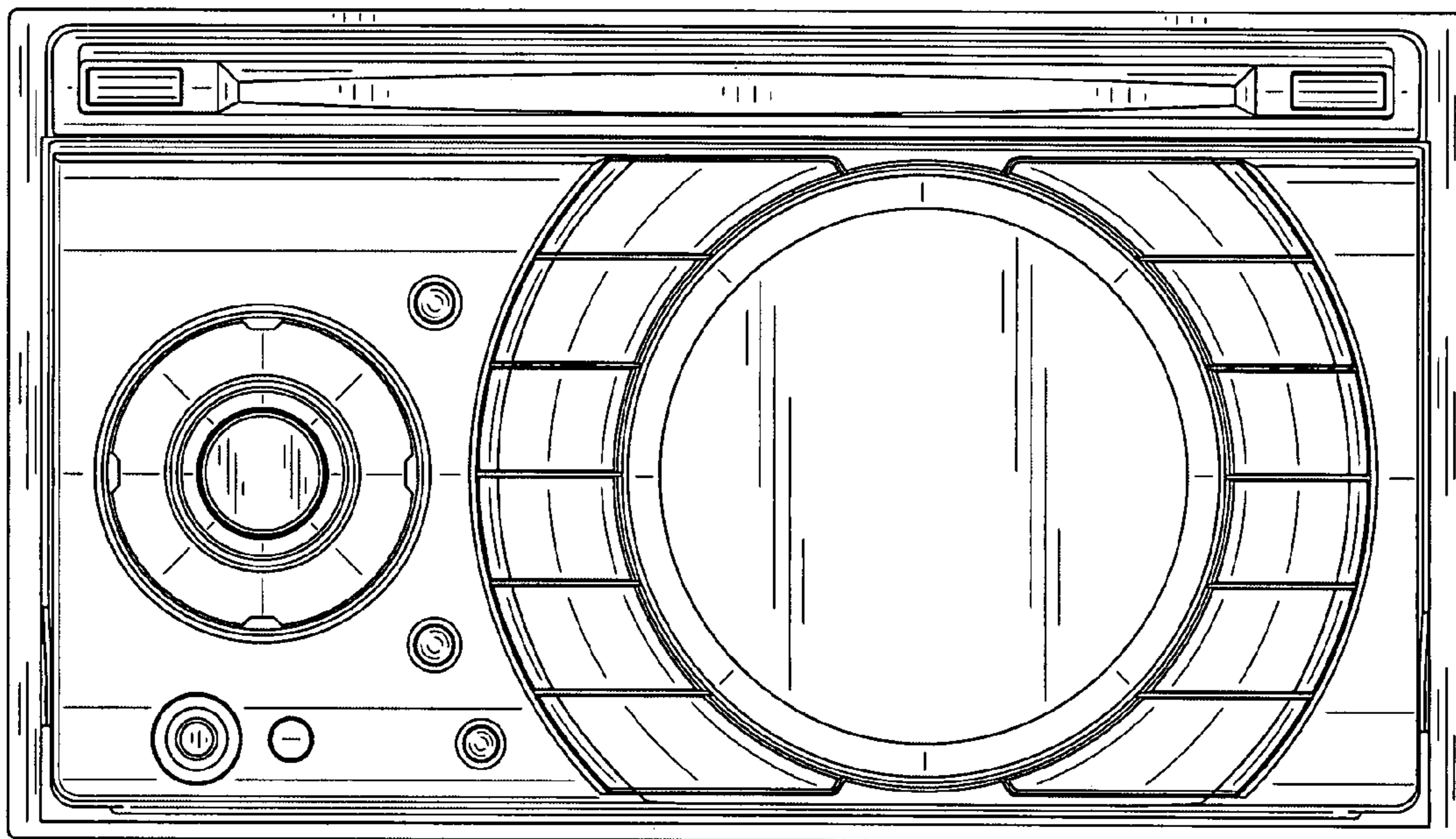


Fig.3

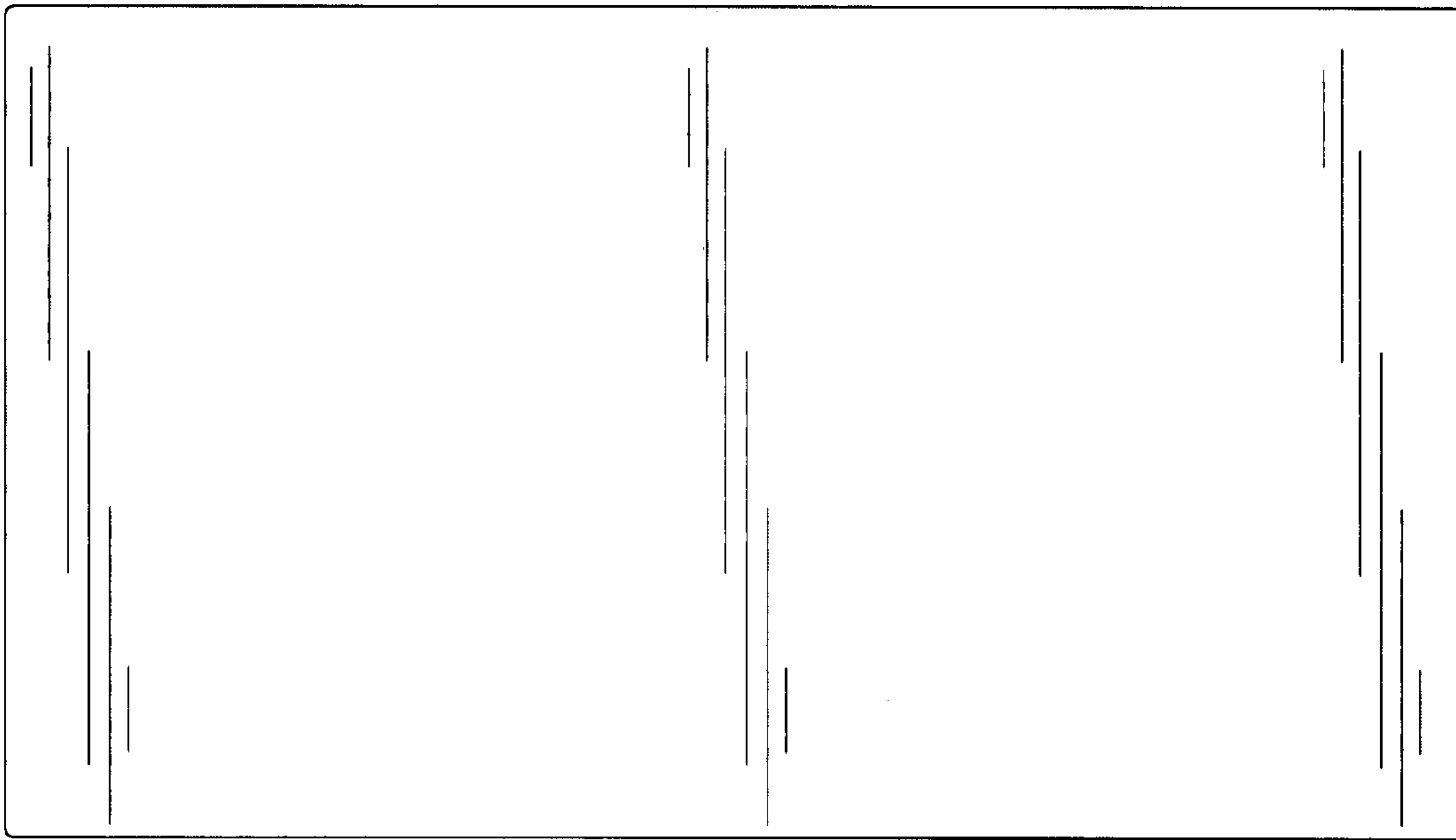


Fig.4

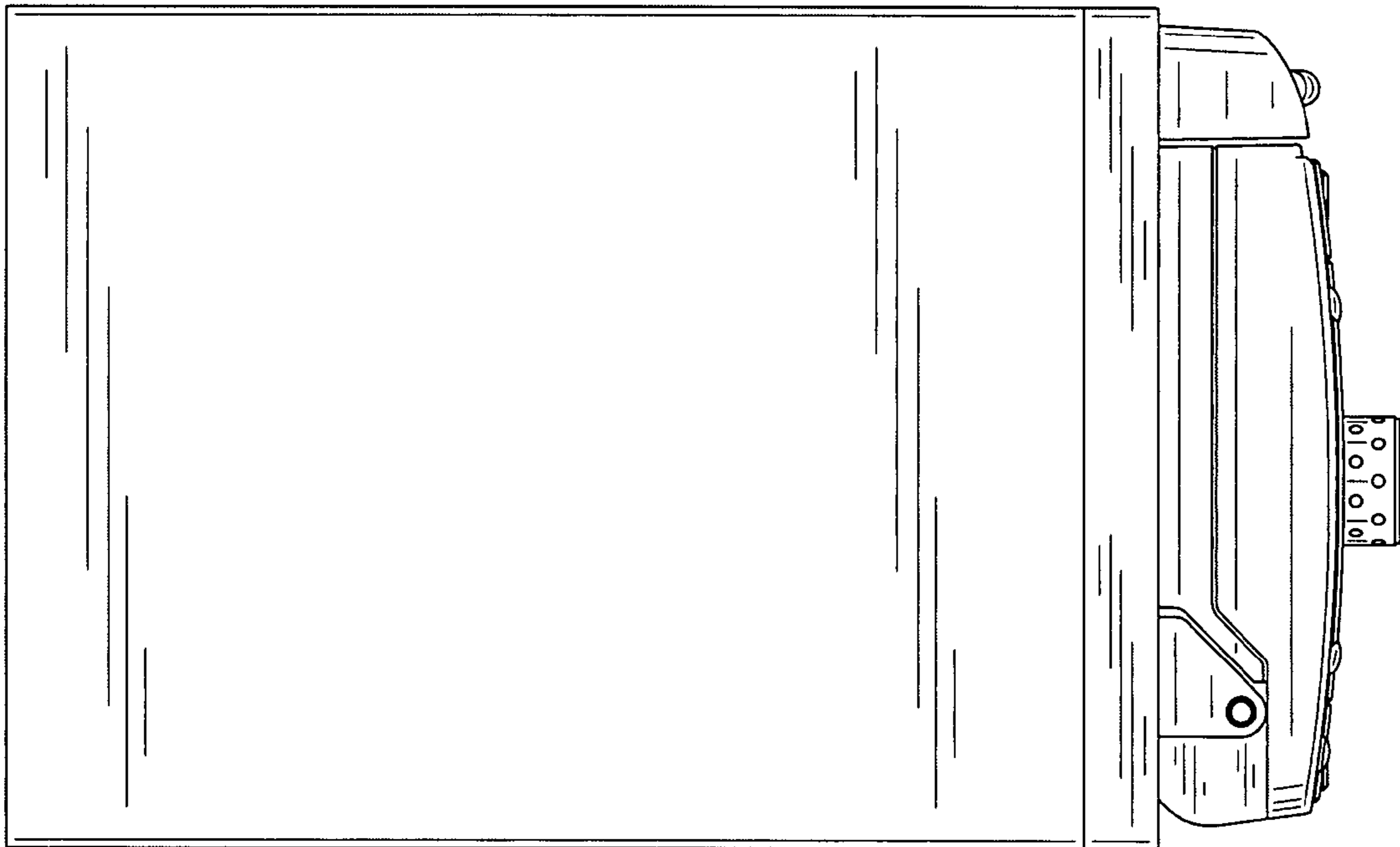


Fig.5



Fig.6

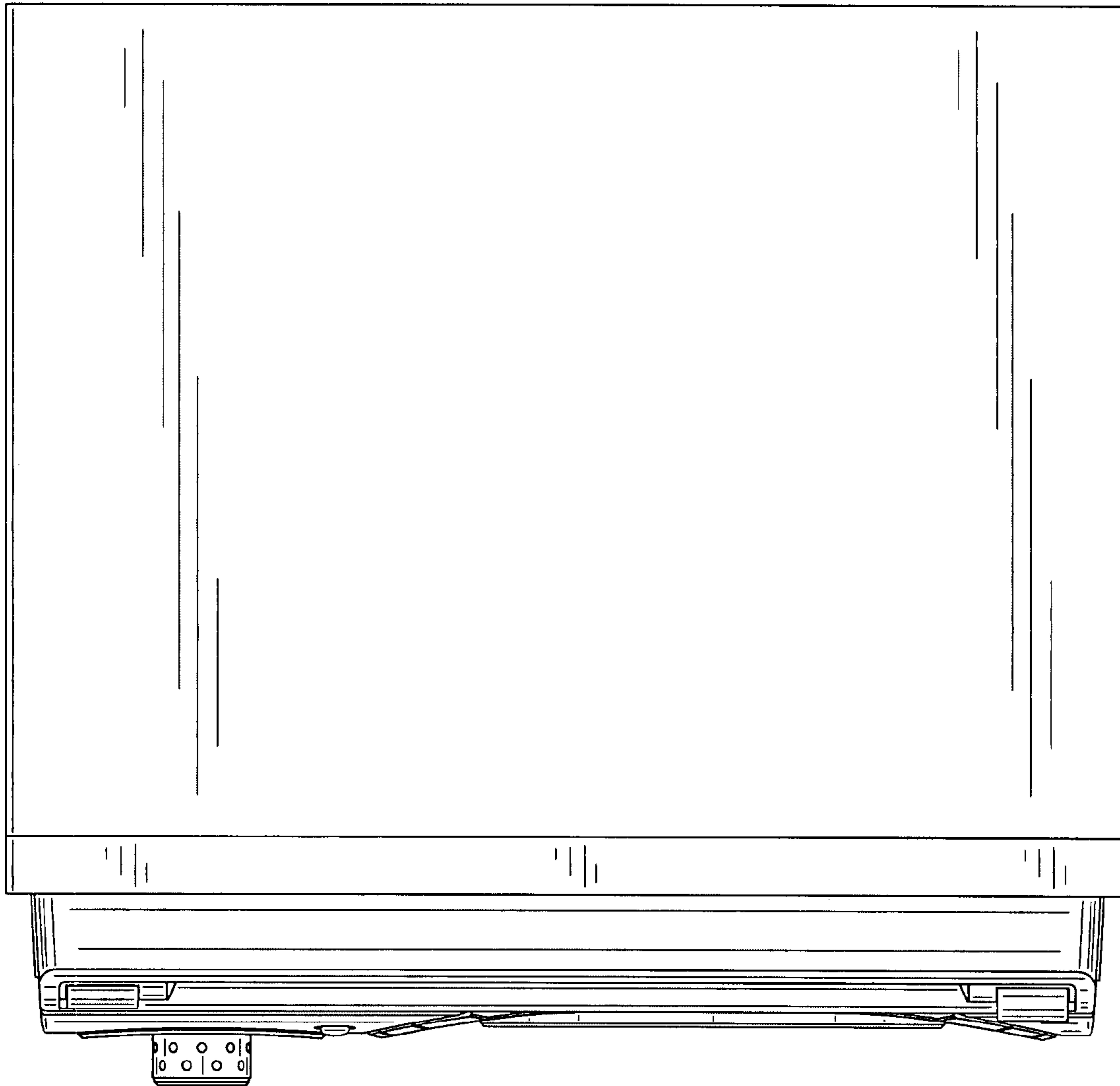


Fig.7

