



US00D576977S

(12) **United States Design Patent**
Ferguson

(10) **Patent No.:** **US D576,977 S**
(45) **Date of Patent:** **** Sep. 16, 2008**

(54) **DISPLAY SYSTEM**

(75) Inventor: **James L. Ferguson**, Menlo Park, CA
(US)

(73) Assignee: **Ferguson Patent Properties LLC**,
Menlo Park, CA (US)

(**) Term: **14 Years**

(21) Appl. No.: **29/295,345**

(22) Filed: **Sep. 27, 2007**

Related U.S. Application Data

(60) Division of application No. 29/248,538, filed on Aug. 21, 2006, now Pat. No. Des. 556,710, which is a division of application No. 29/217,344, filed on Nov. 16, 2004, now Pat. No. Des. 533,524, which is a continuation of application No. 10/721,968, filed on Nov. 24, 2003, which is a continuation-in-part of application No. 09/611,541, filed on Jul. 7, 2000, now Pat. No. 6,703,988.

(51) **LOC (8) Cl.** **14-03**

(52) **U.S. Cl.** **D14/127**

(58) **Field of Classification Search** D14/125-134,
D14/239, 371, 136, 374-377, 440, 450, 448,
D14/336, 342; 312/7.2; 348/836, 838, 180,
348/184, 325, 739; 341/12; 248/917-924,
248/465; 345/104, 133, 156, 168, 87, 173;
720/605, 669, 600, 655; 369/99, 197; 455/344,
455/347; D21/329, 515, 577, 622, 333, 433,
D21/448, 452, 450, 331; D6/477, 479; 273/148 B;
446/484, 175, 356; D10/15, 26

See application file for complete search history.

(56) **References Cited**

U.S. PATENT DOCUMENTS

2,845,618 A 7/1958 Huffman
5,074,645 A 12/1991 Gold et al.
5,421,589 A 6/1995 Monroe
5,453,859 A 9/1995 Sannohe et al.

5,598,282 A 1/1997 DeGroof
5,644,427 A 7/1997 Omori et al.
D385,533 S 10/1997 Adams
5,777,665 A 7/1998 McNelley et al.
D415,124 S 10/1999 Rooyakkers et al.
5,976,017 A 11/1999 Omori et al.
D428,864 S 8/2000 Rooyakkers et al.
6,124,920 A 9/2000 Moseley
6,130,784 A 10/2000 Takahashi
D438,206 S 2/2001 Joshi
D440,543 S 4/2001 Kodimer
6,212,068 B1 4/2001 Rooyakkers et al.
6,215,532 B1 4/2001 Takagi et al.
6,271,924 B1 8/2001 Ngoi et al.
D455,427 S 4/2002 Vejbrink
6,400,394 B1 6/2002 Kim et al.
6,449,090 B1 9/2002 Omar et al.
6,522,310 B1 2/2003 Kim
6,593,957 B1 7/2003 Christie

(Continued)

FOREIGN PATENT DOCUMENTS

DE 19534750 3/1997

(Continued)

Primary Examiner—Raphael Barkai
(74) *Attorney, Agent, or Firm*—Renner, Otto, Boisselle & Sklar, LLP

(57) **CLAIM**

I claim the ornamental design for a display system, as shown and described.

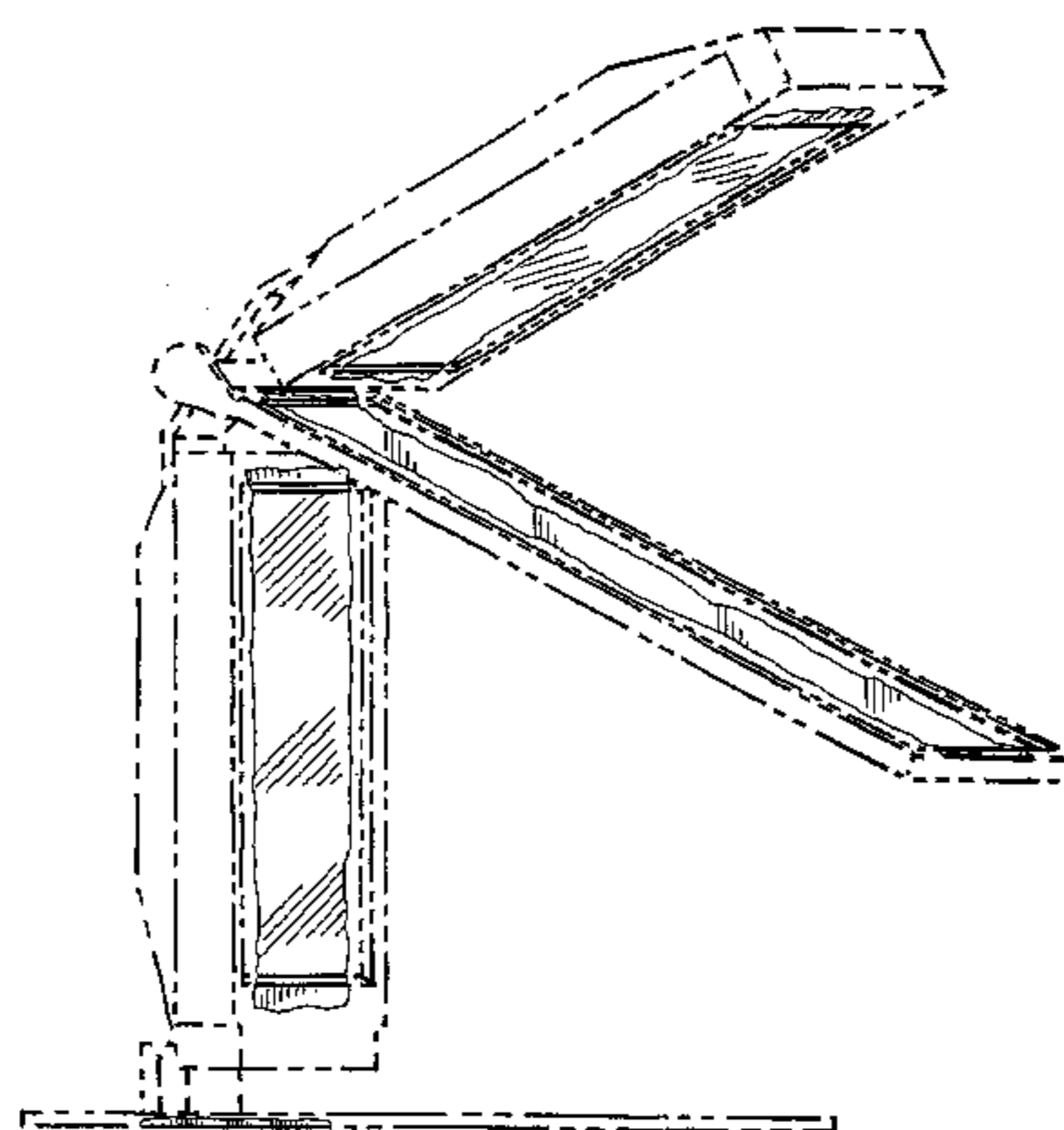
DESCRIPTION

FIG. 1 is a front perspective view of a display system showing my new design; and,

FIG. 2 is a front view of the display system.

The broken lines shown in FIGS. 7-8 are for illustrative purposes only and form no part of the claimed design.

1 Claim, 2 Drawing Sheets



US D576,977 S

Page 2

U.S. PATENT DOCUMENTS

6,611,241	B1	8/2003	Firester et al.
D492,676	S	7/2004	Monson et al.
6,765,640	B1	7/2004	Acosta et al.
2005/0185139	A1	8/2005	Yamanaka et al.
2006/0232719	A1	10/2006	Abileah
2006/0268407	A1	11/2006	Ferguson et al.

2006/0290889 A1 12/2006 Robinson et al.

FOREIGN PATENT DOCUMENTS

EP	0505998	9/1992
ES	2024269	2/1992
JP	63-74027	4/1988
JP	5-168046	7/1993
JP	06160834	6/1994

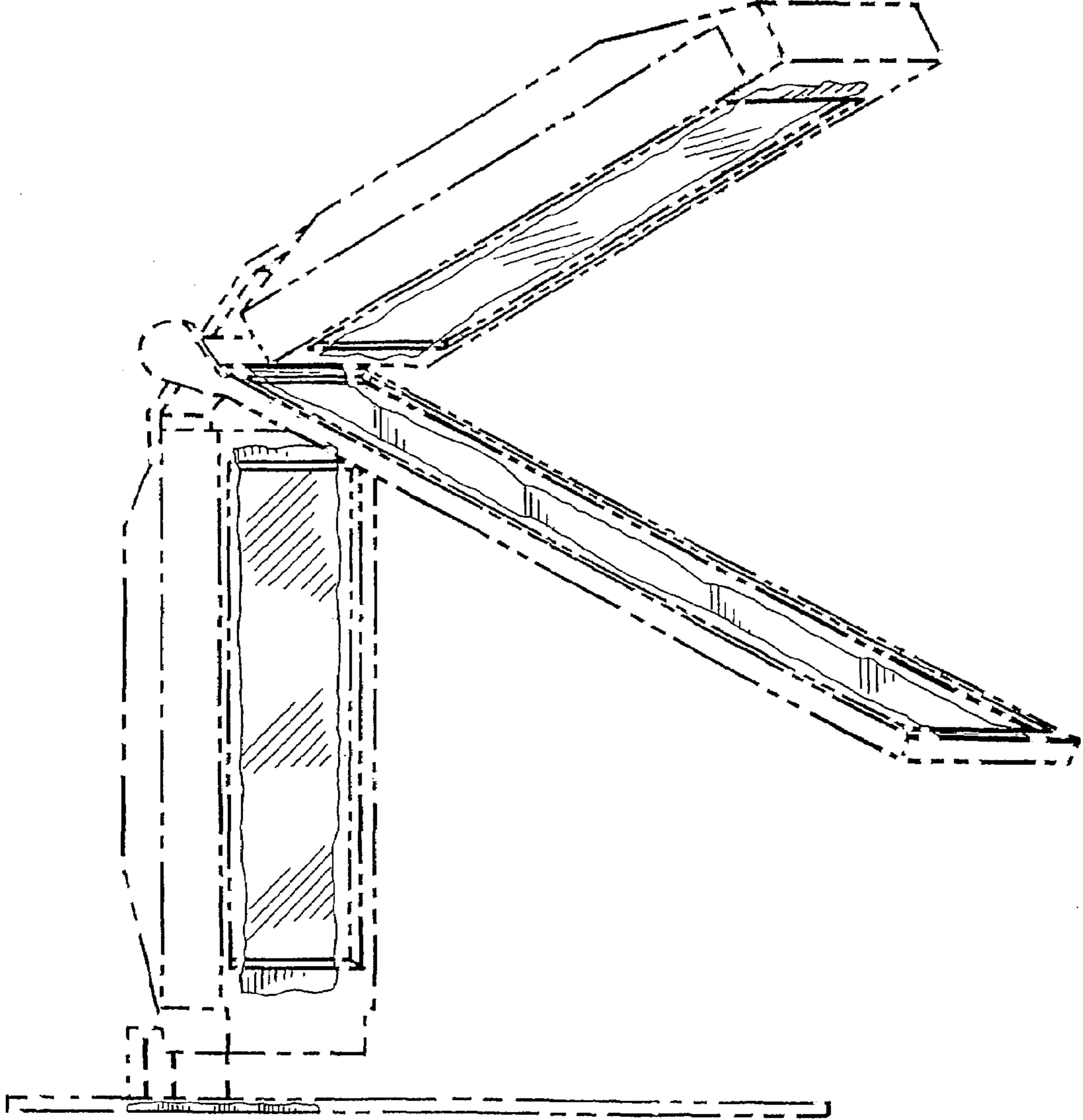


FIG. 1

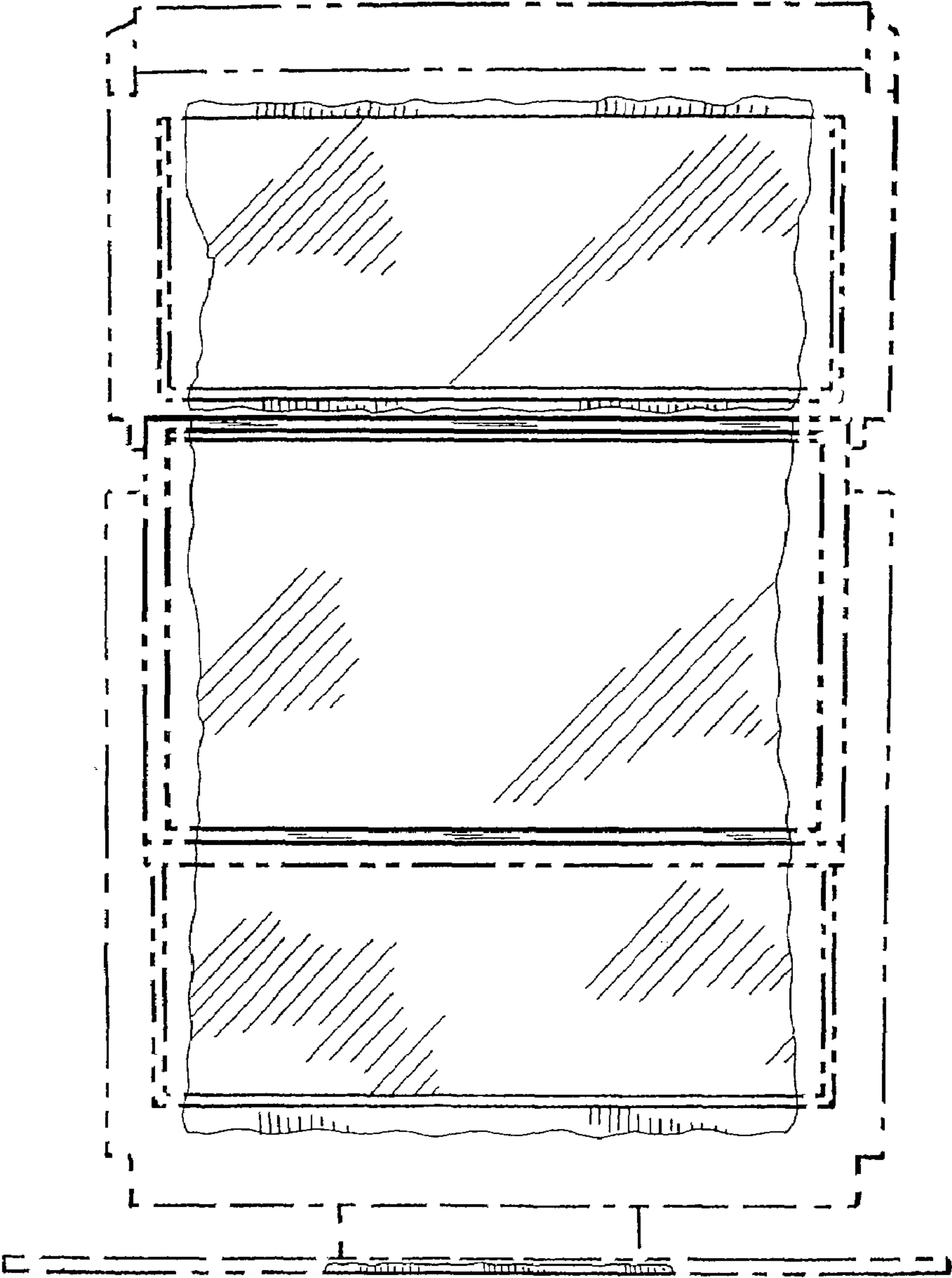


FIG. 2