

US00D576972S

(12) **United States Design Patent**
Niitsu

(10) **Patent No.:** **US D576,972 S**
(45) **Date of Patent:** **** Sep. 16, 2008**

(54) **TELEVISION RECEIVER**

(75) Inventor: **Takuya Niitsu**, Tokyo (JP)

(73) Assignee: **Sony Corporation**, Tokyo (JP)

(**) Term: **14 Years**

(21) Appl. No.: **29/274,101**

(22) Filed: **Mar. 28, 2007**

(30) **Foreign Application Priority Data**

Sep. 29, 2006 (JP) D2006-026463

(51) **LOC (8) Cl.** **14-03**

(52) **U.S. Cl.** **D14/126**

(58) **Field of Classification Search** D14/125-134,
D14/239, 371, 136, 374-377, 440, 450, 448,
D14/336, 342; 312/7.2; 348/836, 838, 180,
348/184, 325, 739; 341/12; 248/917-924,
248/465; 345/104, 133, 156, 168, 87, 173;
720/605, 669, 600, 655; 369/99, 197; 455/344,
455/347; D21/329, 515, 577, 622, 333, 433,
D21/448, 452, 450, 331; D6/477, 479; 273/148 B;
446/484, 175, 356; D10/15, 26

See application file for complete search history.

(56) **References Cited**

U.S. PATENT DOCUMENTS

D427,169 S * 6/2000 Saeki et al. D14/126
D492,270 S * 6/2004 Natori et al. D14/126
D524,841 S 7/2006 Ikenaga
D541,772 S * 5/2007 Kita D14/126
D543,517 S * 5/2007 Chikuma et al. D14/126
D550,176 S * 9/2007 Asanuma et al. D14/126
D553,592 S * 10/2007 Asanuma D14/134

D555,117 S * 11/2007 Tanaka et al. D14/126
D557,227 S * 12/2007 Isshiki D14/126

* cited by examiner

Primary Examiner—Raphael Barkai

(74) *Attorney, Agent, or Firm*—Rader, Fishman & Grauer,
PLLC

(57) **CLAIM**

The ornamental design for a television receiver, as shown and described.

DESCRIPTION

FIG. 1 is a perspective view of a television receiver showing my new design;

FIG. 2 is a front elevational view thereof;

FIG. 3 is a rear elevational view thereof;

FIG. 4 is a left side elevational view thereof;

FIG. 5 is a right side elevational view thereof;

FIG. 6 is a top plan view thereof;

FIG. 7 is a bottom plan view thereof;

FIG. 8 is a reference front elevational view thereof, showing a line 9—9 and portions 10, 11, and 12;

FIG. 9 is a reference cross-sectional view thereof, taken along a line 9—9 in a direction of arrows of FIG. 8;

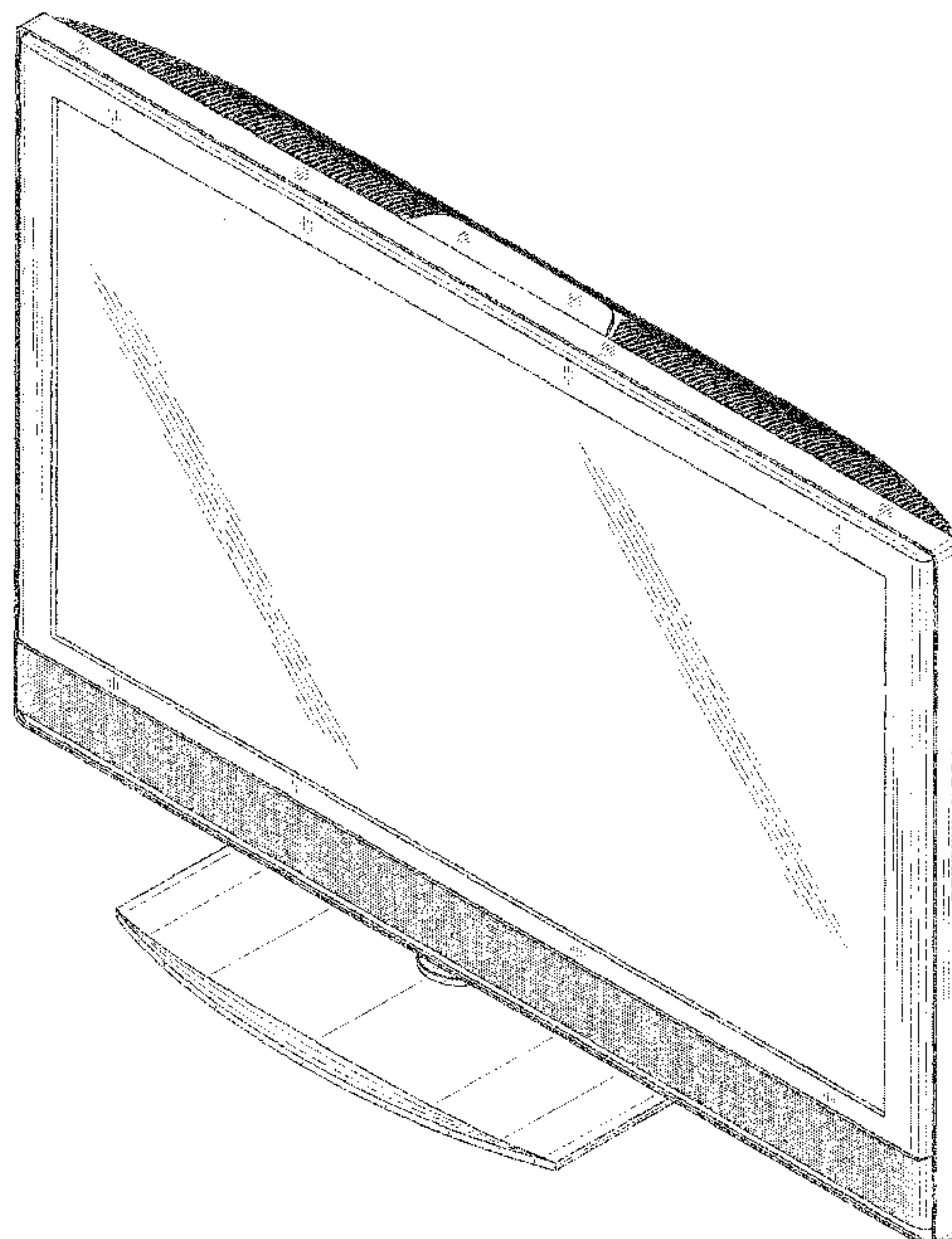
FIG. 10 is a reference enlarged view of a portion 10 of FIG. 8;

FIG. 11 is a reference enlarged view of a portion 11 of FIG. 8; and,

FIG. 12 is a reference enlarged view of a portion 12 of FIG. 8.

The broken lines shown in drawings are for illustrative purposes only and form no part of the claimed design.

1 Claim, 12 Drawing Sheets



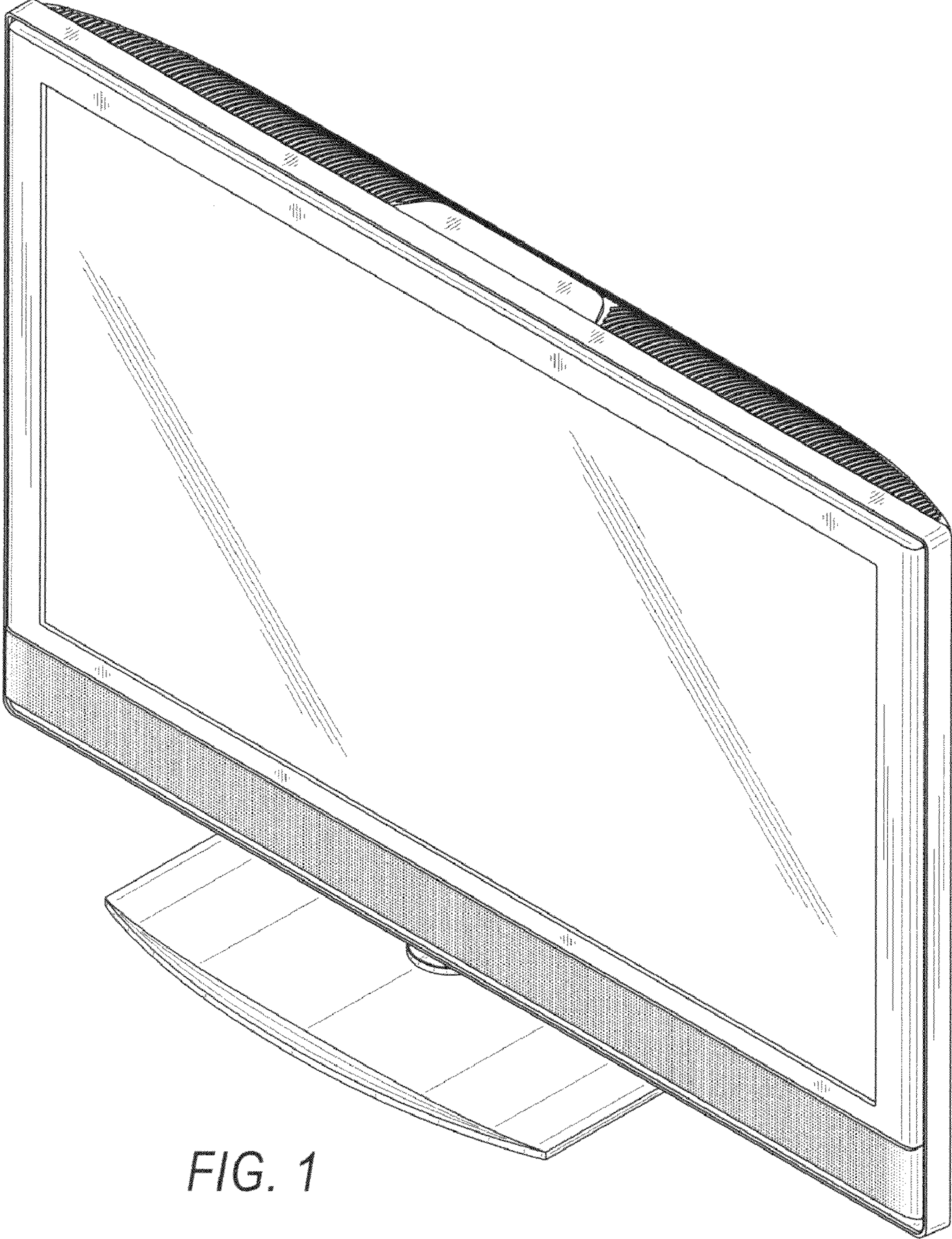


FIG. 1

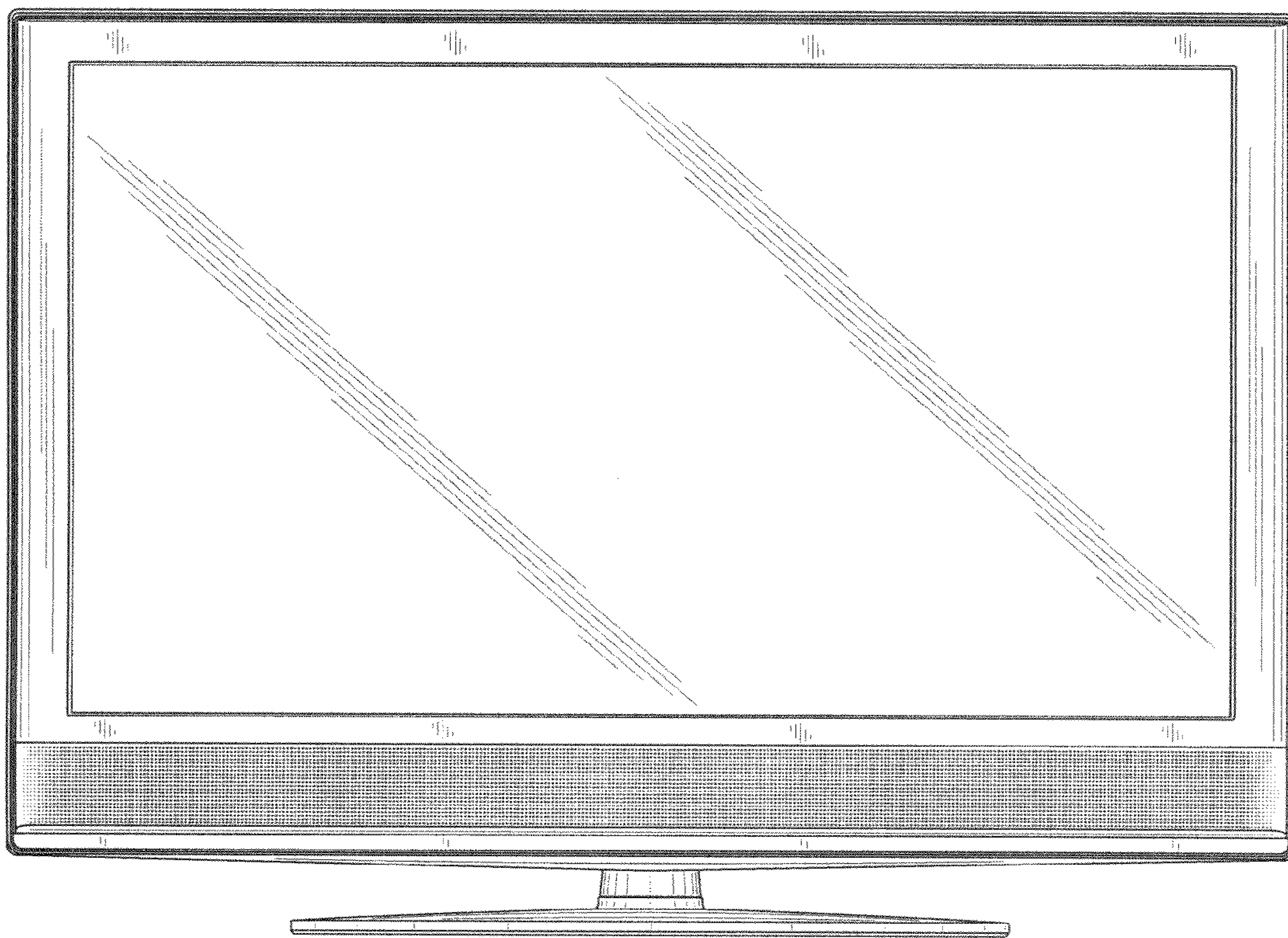


FIG. 2

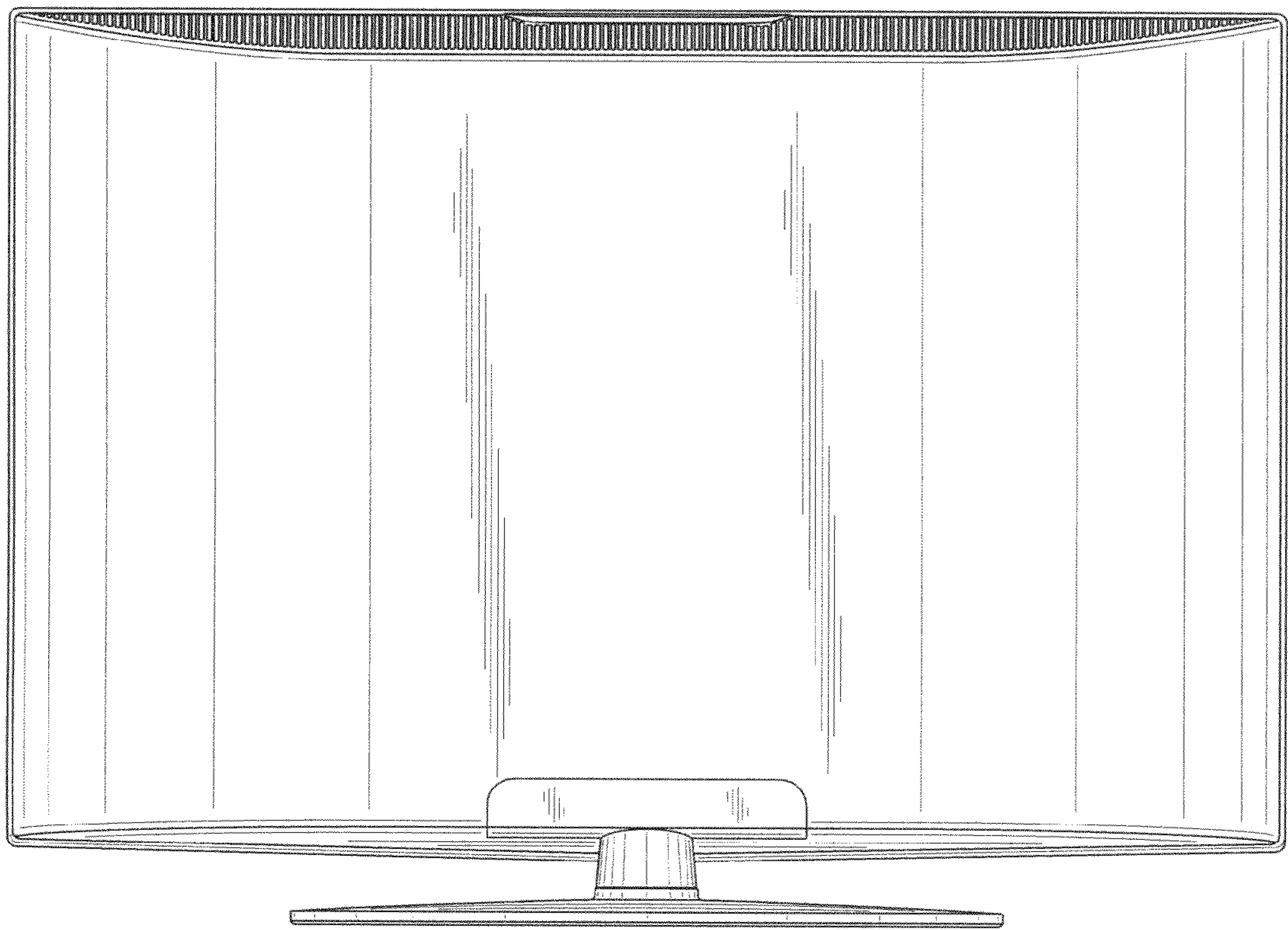


FIG. 3

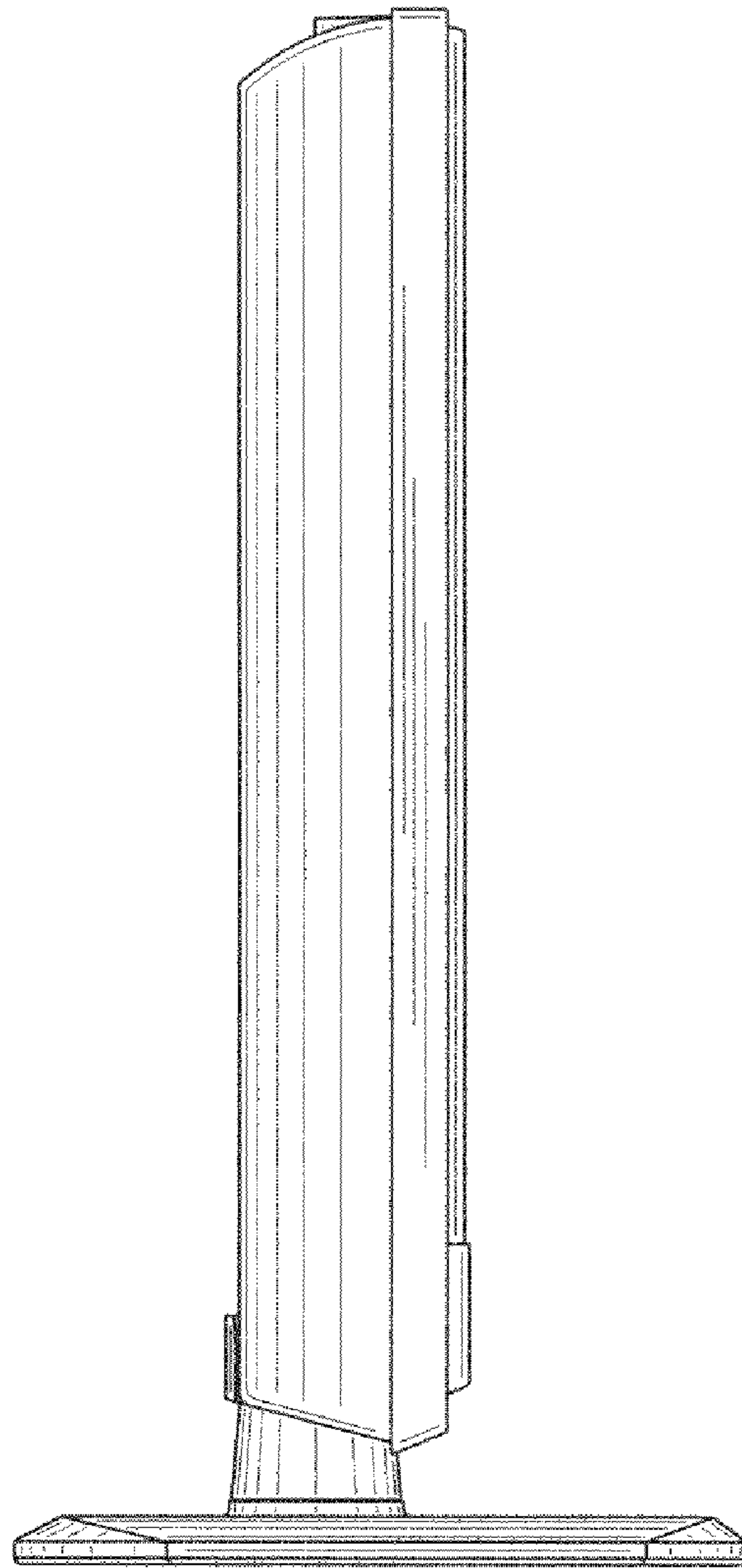


FIG. 4

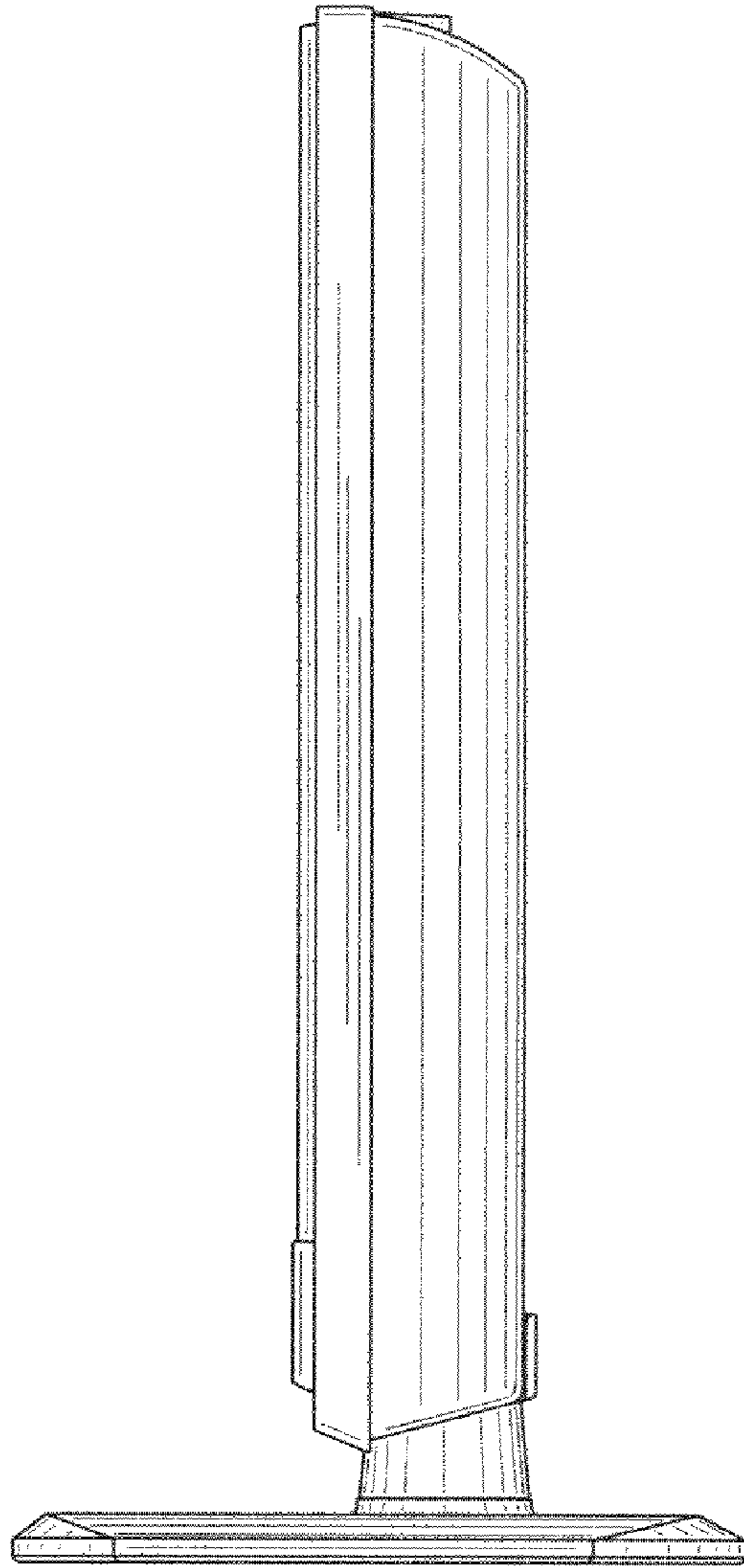


FIG. 5

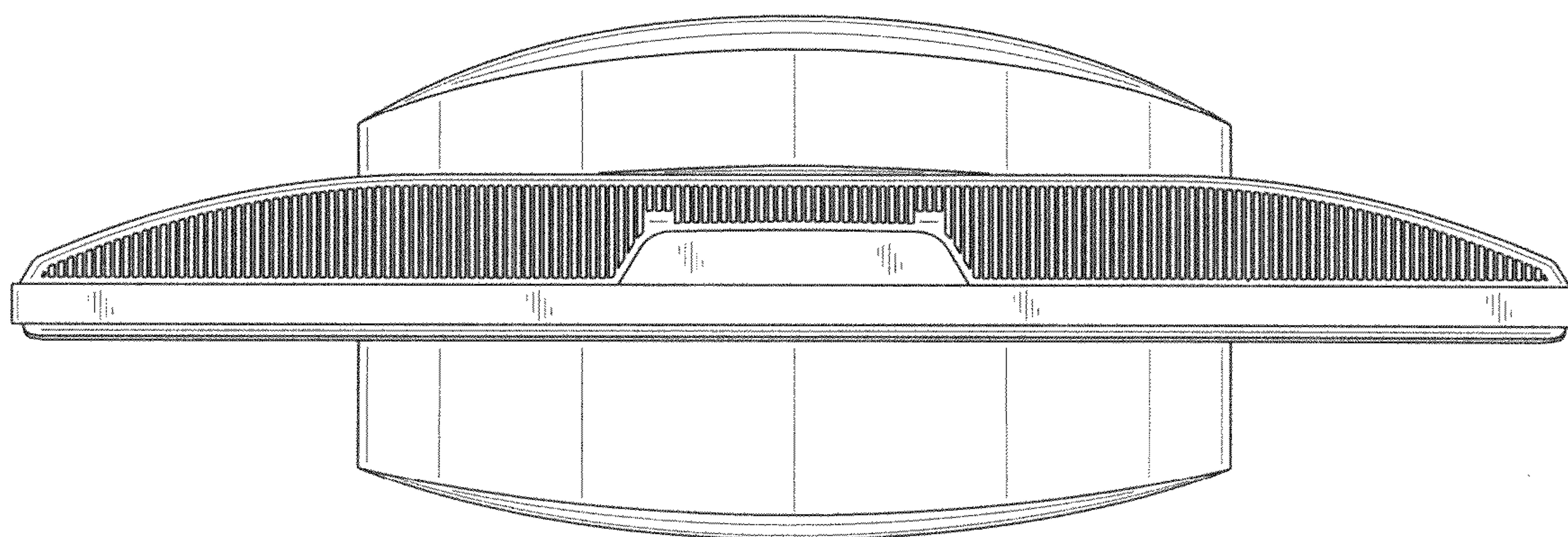


FIG. 6

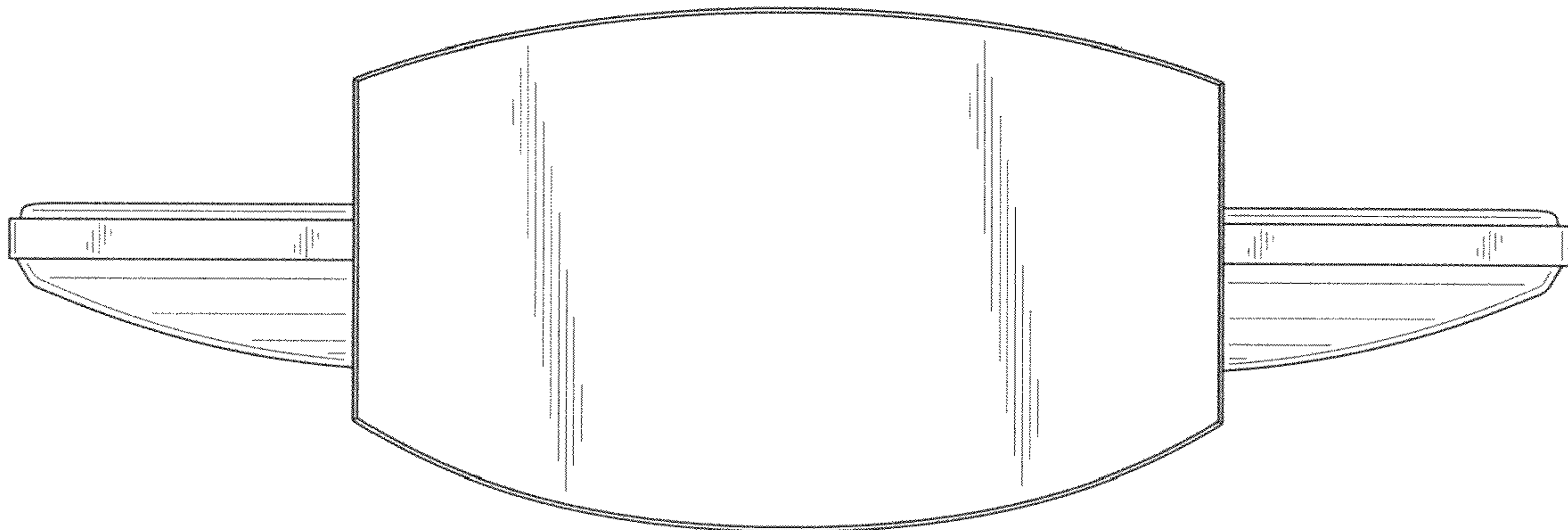


FIG. 7

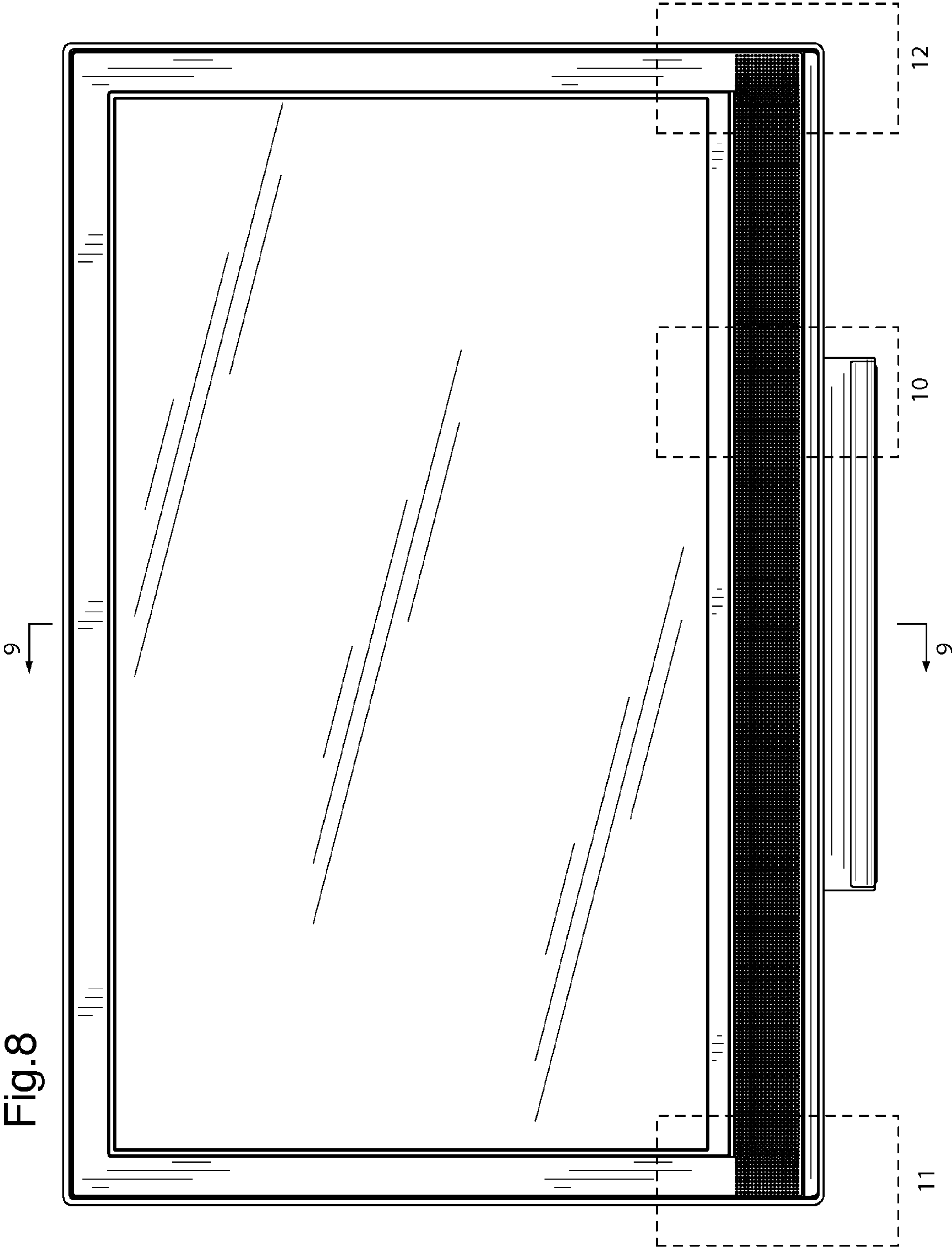
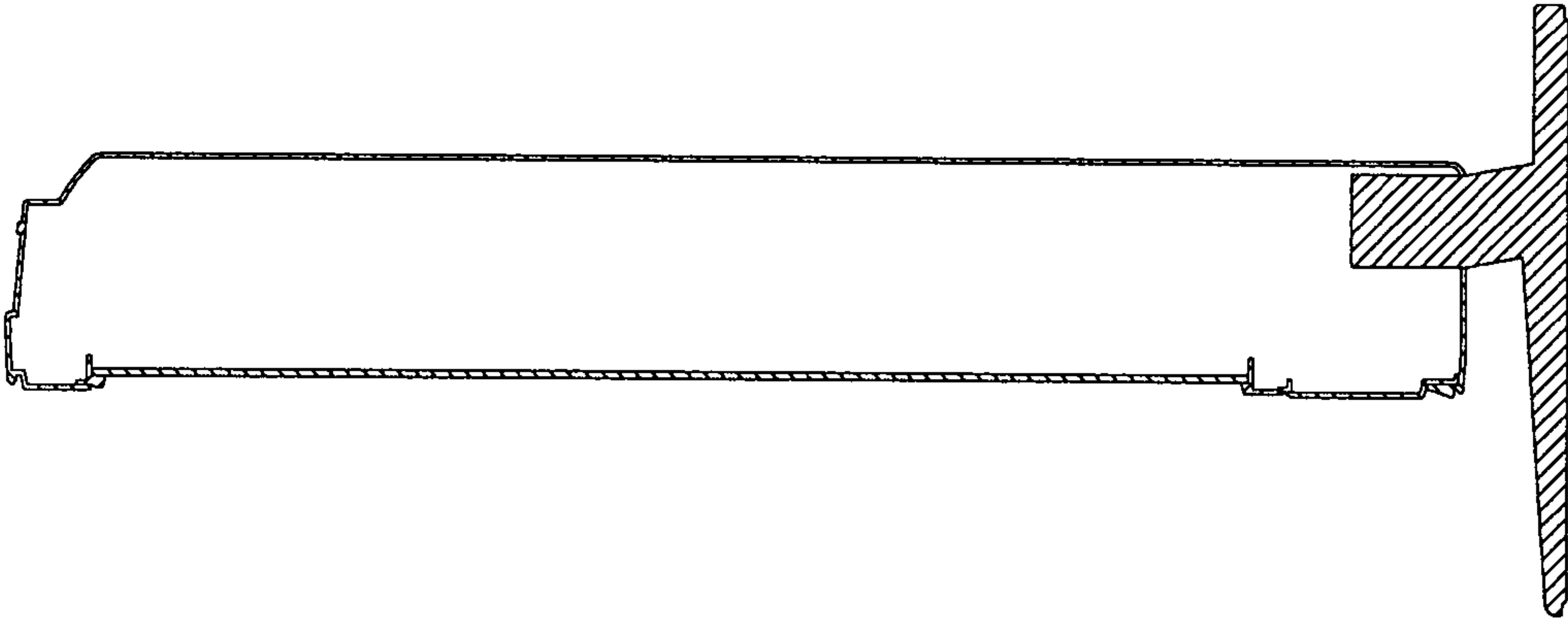


Fig. 9



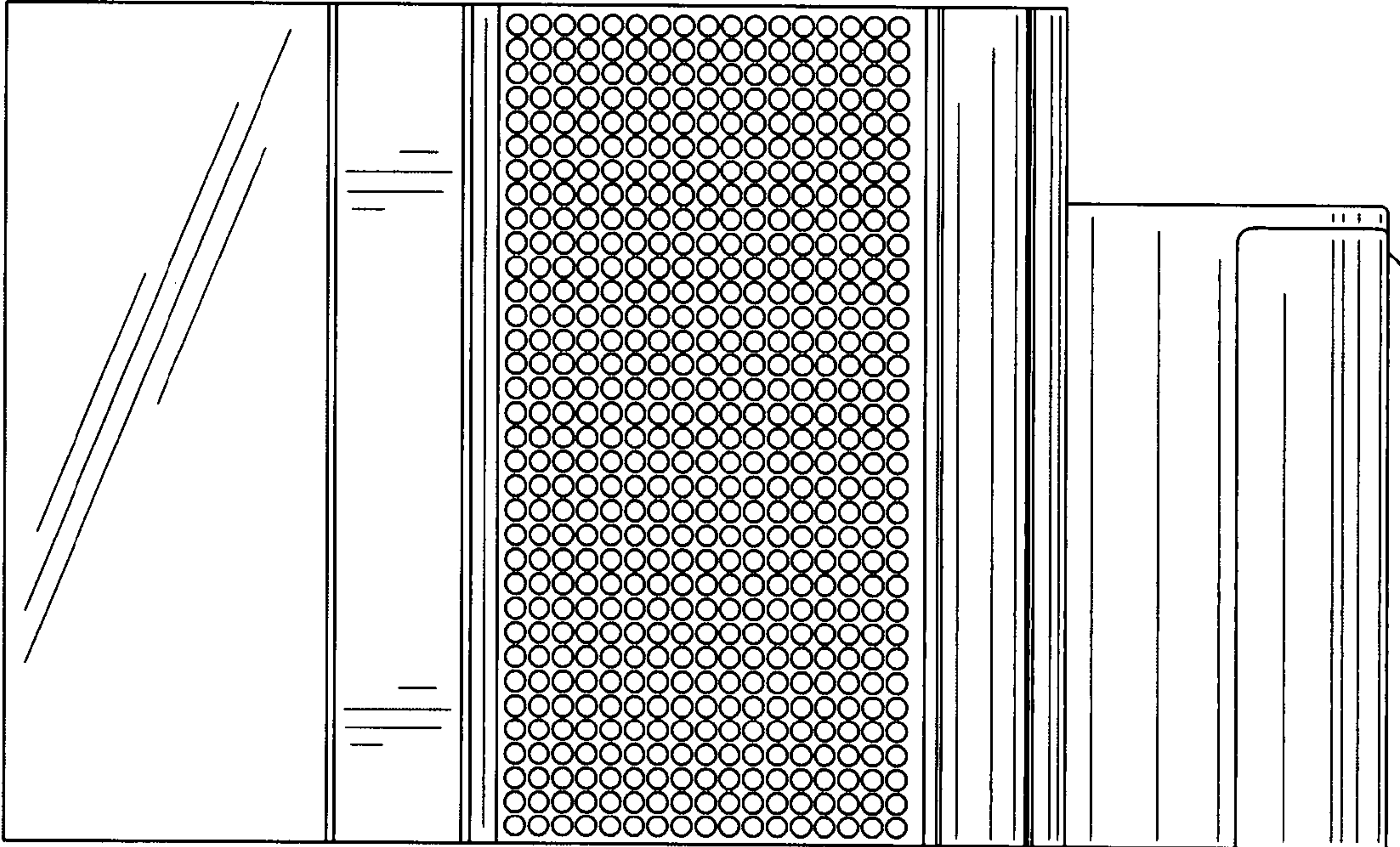


Fig.10

Fig. 11

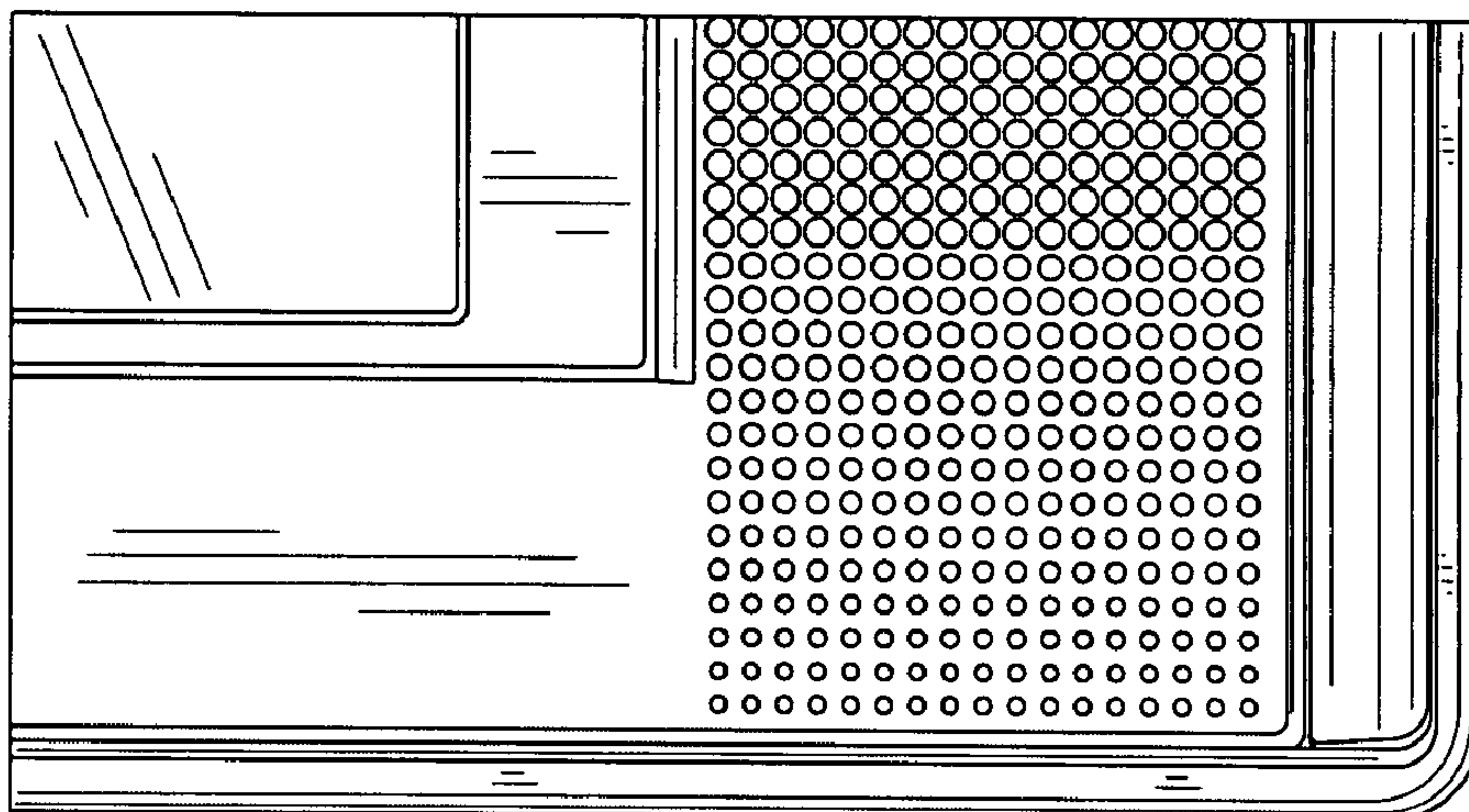


Fig.12

