

US00D576971S

(12) **United States Design Patent**
Yokota

(10) **Patent No.:** **US D576,971 S**
(45) **Date of Patent:** **** Sep. 16, 2008**

(54) **TELEVISION RECEIVER**

D534,139 S * 12/2006 Yokota D14/126
D539,763 S * 4/2007 Yamada D14/126
D542,246 S * 5/2007 Han et al. D14/126

(75) Inventor: **Hiroaki Yokota**, Tokyo (JP)

(73) Assignee: **Sony Corporation**, Tokyo (JP)

(**) Term: **14 Years**

(21) Appl. No.: **29/223,129**

(22) Filed: **Feb. 10, 2005**

(51) **LOC (8) Cl.** **14-03**

(52) **U.S. Cl.** **D14/126**

(58) **Field of Classification Search** D14/125-134,
D14/239, 371, 136, 374-377; 312/7.2; 348/836,
348/838, 180, 184, 325, 739; 341/12; 248/917-924,
248/465; 345/104, 133, 156, 168, 87, 173;
720/605, 669, 600, 655; 369/99, 197; 455/344-347
See application file for complete search history.

(56) **References Cited**

U.S. PATENT DOCUMENTS

D474,162 S 5/2003 Kubota
D491,541 S 6/2004 Kubota
D494,163 S 8/2004 Ishii
D499,386 S * 12/2004 Yang D14/126
D510,918 S * 10/2005 Kubota et al. D14/126
D510,919 S * 10/2005 Kubota et al. D14/126
D531,592 S * 11/2006 Yamamoto et al. D14/126
D533,848 S * 12/2006 Lee et al. D14/126

FOREIGN PATENT DOCUMENTS

JP D1220608 S 10/2004
JP D1235516 S 4/2005

OTHER PUBLICATIONS

U.S. Appl. No. 29/222,346, filed Jan. 31, 2005.

* cited by examiner

Primary Examiner—Raphael Barkai

(74) *Attorney, Agent, or Firm*—Rader, Fishman & Grauer, PLLC

(57) **CLAIM**

The ornamental design for a television receiver, as shown and described.

DESCRIPTION

FIG. 1 is a perspective view of a television receiver showing my new design; and,

FIG. 2 is a front elevational view thereof.

Portions of FIGS. 1 and 2 that are shown as broken lines are for illustrative purpose only and form no part of the claimed design.

1 Claim, 2 Drawing Sheets

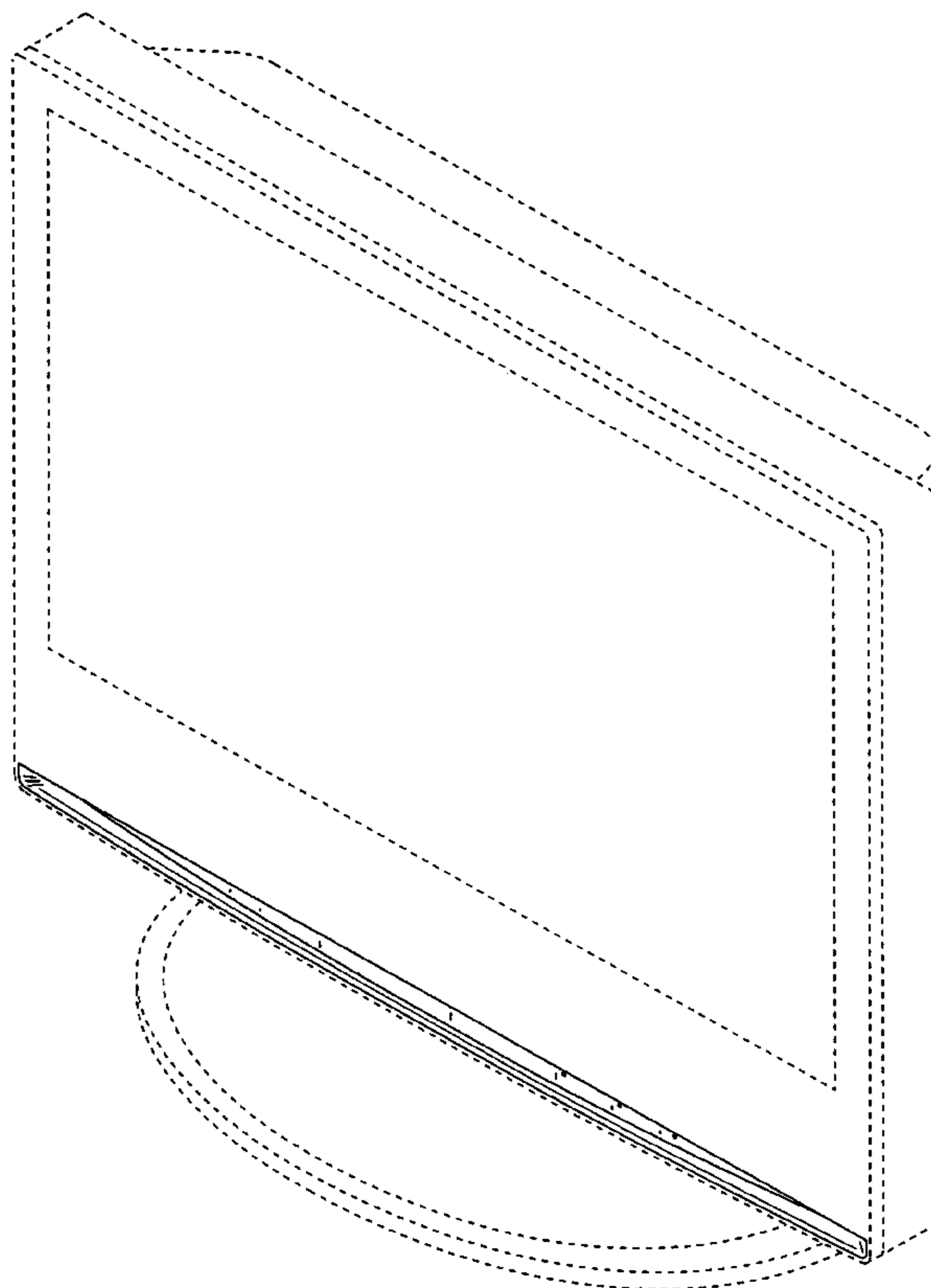
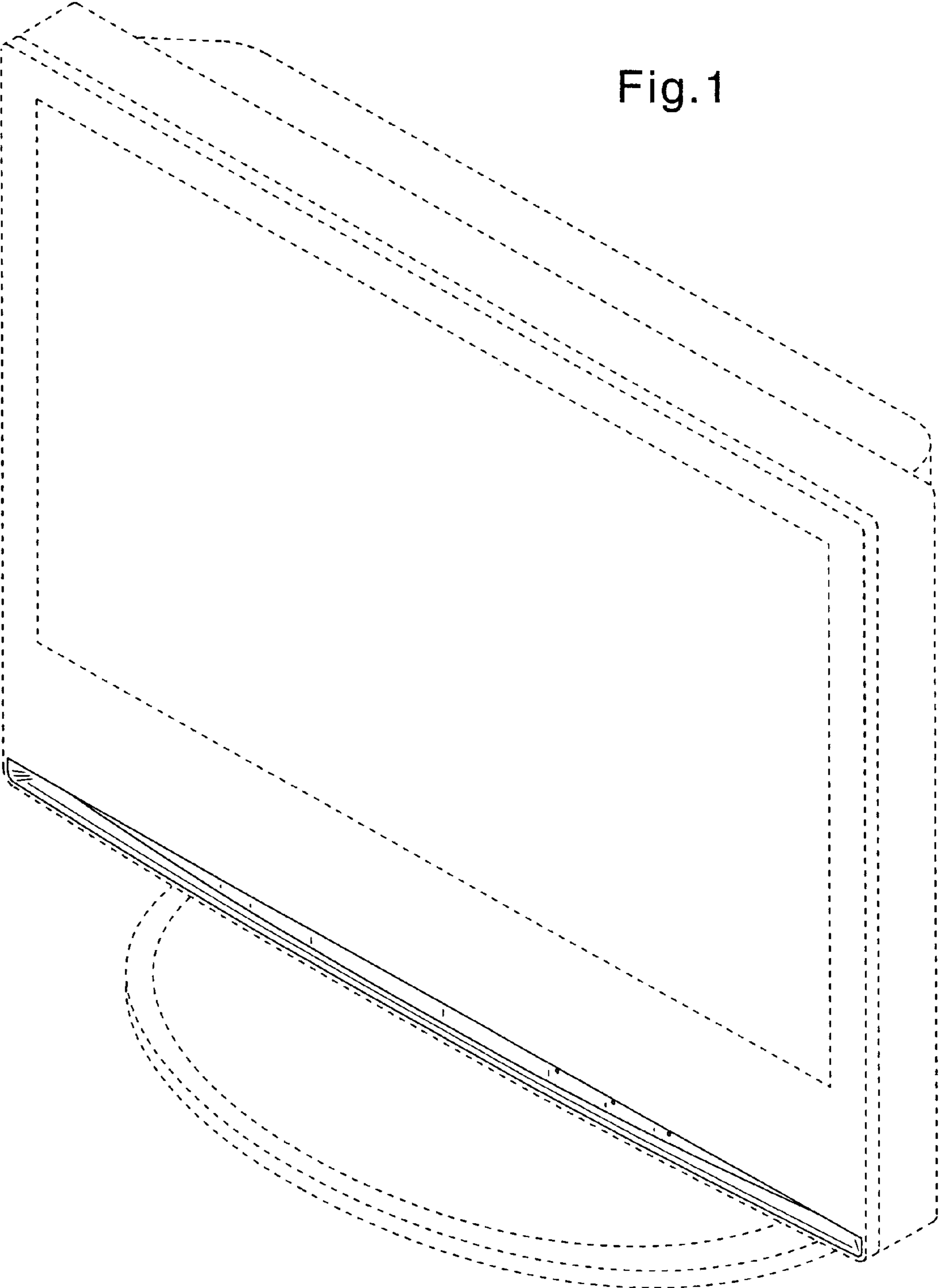


Fig. 1



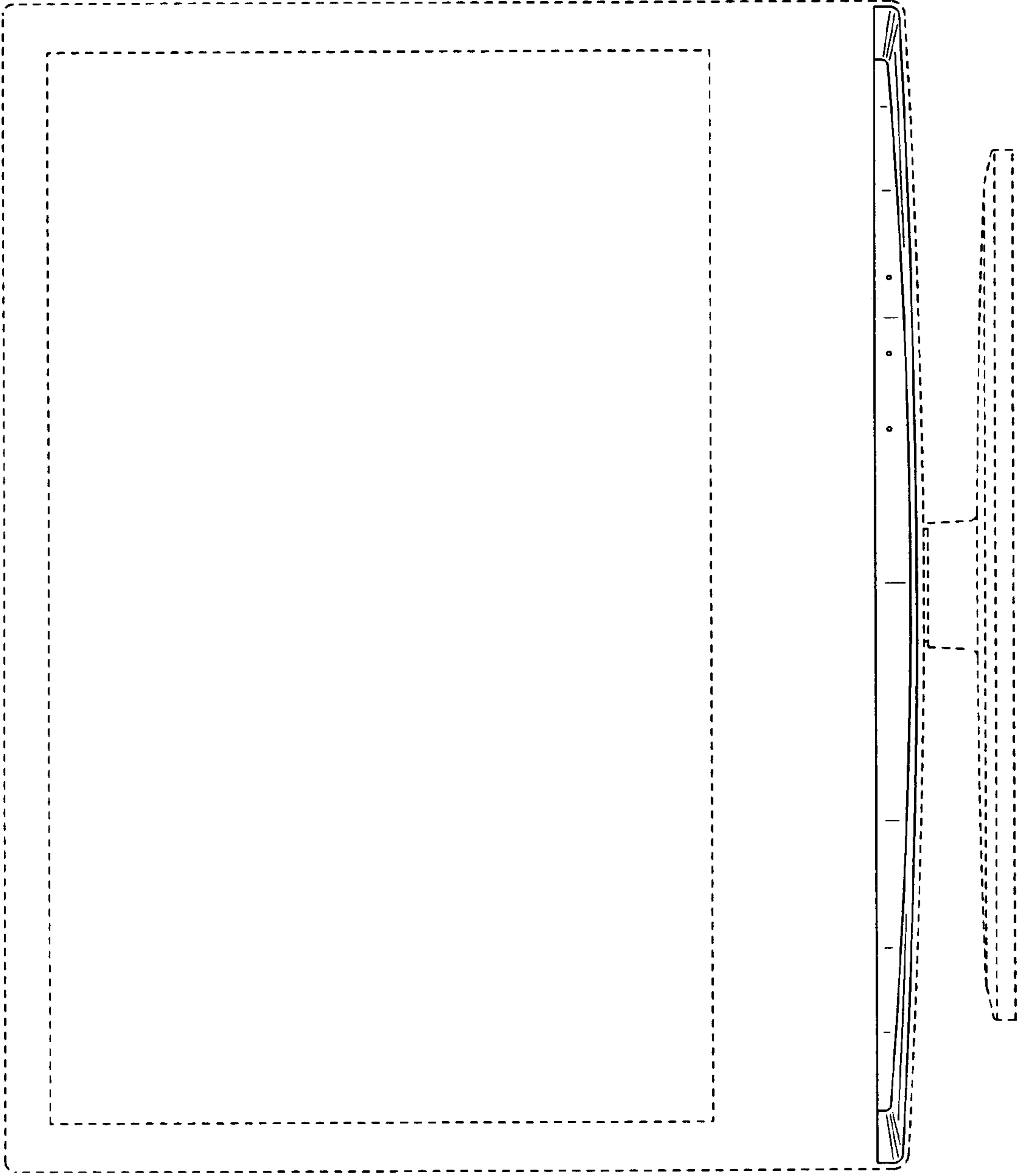


Fig.2

UNITED STATES PATENT AND TRADEMARK OFFICE
CERTIFICATE OF CORRECTION

PATENT NO. : Des. 576,971 S
APPLICATION NO. : 29/223129
DATED : September 16, 2008
INVENTOR(S) : Hiroaki Yokota

Page 1 of 4

It is certified that error appears in the above-identified patent and that said Letters Patent is hereby corrected as shown below:

Delete Title page showing an illustrative figure and drawing sheets 1 & 2

Substitute the attached Title page and drawing sheets 1 & 2 therefor

Signed and Sealed this

Twenty-fourth Day of March, 2009



JOHN DOLL
Acting Director of the United States Patent and Trademark Office

(12) **United States Design Patent**
Yokota

(10) **Patent No.:** **US D576,971 S**
(45) **Date of Patent:** **** Sep. 16, 2008**

(54) **TELEVISION RECEIVER**

(75) **Inventor:** **Hiroaki Yokota, Tokyo (JP)**

(73) **Assignee:** **Sony Corporation, Tokyo (JP)**

(**) **Term:** **14 Years**

(21) **Appl. No.:** **29/223,129**

(22) **Filed:** **Feb. 10, 2005**

(51) **LOC (8) Cl.** **14-03**

(52) **U.S. Cl.** **D14/126**

(58) **Field of Classification Search** **D14/125-134,**
D14/239, 371, 136, 374-377; 312/7.2; 348/836,
348/838, 180, 184, 325, 739; 341/12; 248/917-924,
248/465; 345/104, 133, 156, 168, 87, 173;
720/605, 669, 600, 655; 369/99, 197; 455/344-347
See application file for complete search history.

(56) **References Cited**

U.S. PATENT DOCUMENTS

D474,162 S	5/2003	Kubota	
D491,541 S	6/2004	Kubota	
D494,163 S	8/2004	Ishii	
D499,386 S *	12/2004	Yang	D14/126
D510,918 S *	10/2005	Kubota et al.	D14/126
D510,919 S *	10/2005	Kubota et al.	D14/126
D531,592 S *	11/2006	Yamamoto et al.	D14/126
D533,848 S *	12/2006	Lee et al.	D14/126

D534,139 S *	12/2006	Yokota	D14/126
D539,763 S *	4/2007	Yamada	D14/126
D542,246 S *	5/2007	Han et al.	D14/126

FOREIGN PATENT DOCUMENTS

JP	D1220608 S	10/2004
JP	D1235516 S	4/2005

OTHER PUBLICATIONS

U.S. Appl. No. 29/222,346, filed Jan. 31, 2005.

* cited by examiner

Primary Examiner—Raphael Barkai

(74) *Attorney, Agent, or Firm*—Rader, Fishman & Grauer, PLLC

(57) **CLAIM**

The ornamental design for a television receiver, as shown and described.

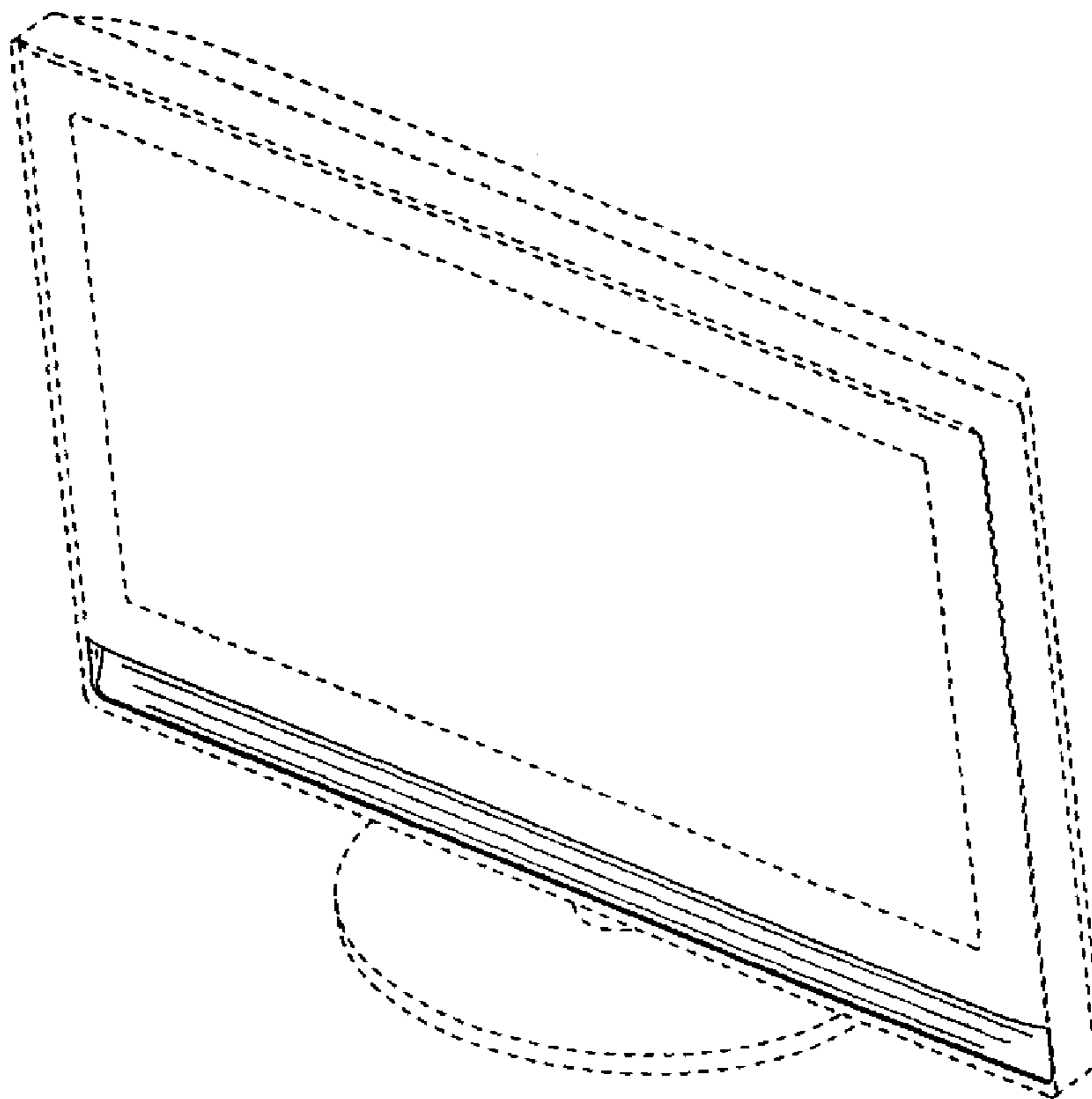
DESCRIPTION

FIG. 1 is a perspective view of a television receiver showing my new design; and,

FIG. 2 is a front elevational view thereof.

Portions of FIGS. 1 and 2 that are shown as broken lines are for illustrative purpose only and form no part of the claimed design.

1 Claim, 2 Drawing Sheets



U.S. Patent

Sep. 16, 2008

Sheet 1 of 5

D576,971 S

FIG. 1

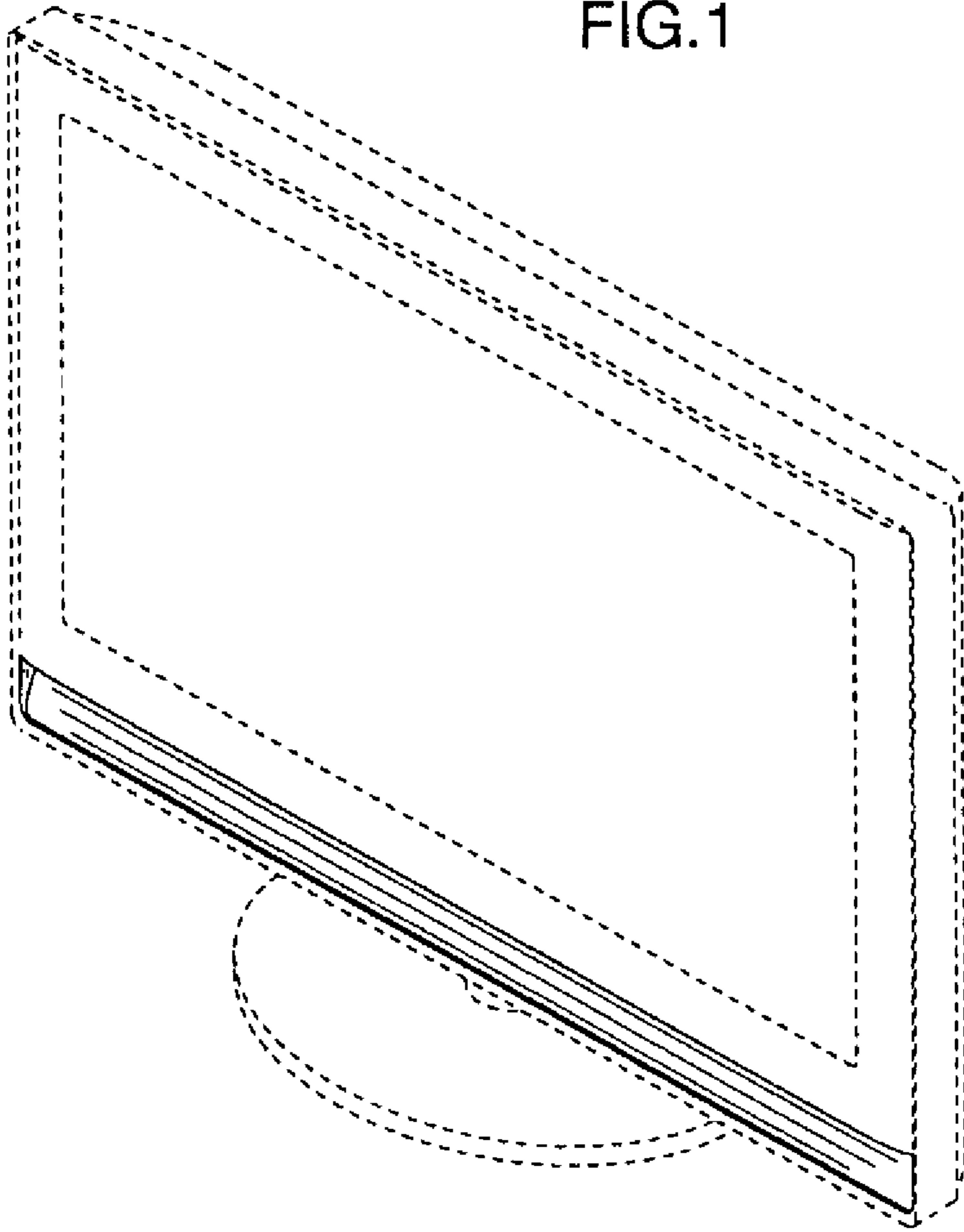


FIG.2

