



US00D576970S

(12) **United States Design Patent**
Uemoto et al.

(10) **Patent No.:** **US D576,970 S**
(45) **Date of Patent:** **** Sep. 16, 2008**

(54) **LIGHT SOURCE OF LIGHT-EMITTING DIODE**

(75) Inventors: **Takaari Uemoto**, Kadoma (JP); **Keiji Nishimoto**, Kadoma (JP); **Satoshi Shida**, Kadoma (JP); **Hiroyuki Naito**, Kadoma (JP)

(73) Assignee: **Matsushita Electric Industrial Co., Ltd.**, Osaka (JP)

(**) Term: **14 Years**

(21) Appl. No.: **29/317,275**

(22) Filed: **Apr. 25, 2008**

Related U.S. Application Data

(62) Division of application No. 29/283,235, filed on Aug. 8, 2007, now Pat. No. Des. 573,553.

(30) **Foreign Application Priority Data**

Feb. 9, 2007 (JP) 2007-003126
Feb. 9, 2007 (JP) 2007-003127

(51) **LOC (8) Cl.** **13-03**

(52) **U.S. Cl.** **D13/180**

(58) **Field of Classification Search** D13/180;
D26/2, 24; 257/79, 80, 81, 88, 89, 95, 98,
257/99, 100; 313/483, 498, 500; 362/555,
362/800

See application file for complete search history.

(56) **References Cited**

U.S. PATENT DOCUMENTS

D512,694 S * 12/2005 Kim et al. D13/180
D514,530 S * 2/2006 Matsui et al. D13/180

D517,027 S * 3/2006 Suenaga D13/180
D522,975 S * 6/2006 Egawa et al. D13/180
D528,672 S * 9/2006 Nagai et al. D26/1
D528,996 S * 9/2006 Egawa D13/180
7,115,979 B2 * 10/2006 Park et al. 257/676
D532,383 S * 11/2006 Nagai et al. D13/180
D535,262 S * 1/2007 Saito et al. D13/180
D541,761 S * 5/2007 Saito et al. D13/180
D551,180 S * 9/2007 Song et al. D13/180
2006/0092637 A1 * 5/2006 Yeh 362/249
2007/0018295 A1 * 1/2007 Kim et al. 257/678

OTHER PUBLICATIONS

Catalog for LL41279-THWWS dated Oct. 24, 2006 in IDEC website, "Ultrahigh Brightness Power LED Realizing World's Highest Light Emission Efficiency".

* cited by examiner

Primary Examiner—Selina Sikder

(74) *Attorney, Agent, or Firm*—Brinks Hofer Gilson & Lione

(57) **CLAIM**

We claim the ornamental design for a light source of light-emitting diode, as shown and described.

DESCRIPTION

FIG. 1 is a front perspective view of a light source of light-emitting diode of the present invention;

FIG. 2 is a front view thereof;

FIG. 3 is a rear view thereof;

FIG. 4 is a first side view thereof;

FIG. 5 is a second side view thereof;

FIG. 6 is a top view thereof; and,

FIG. 7 is a bottom view thereof.

1 Claim, 7 Drawing Sheets

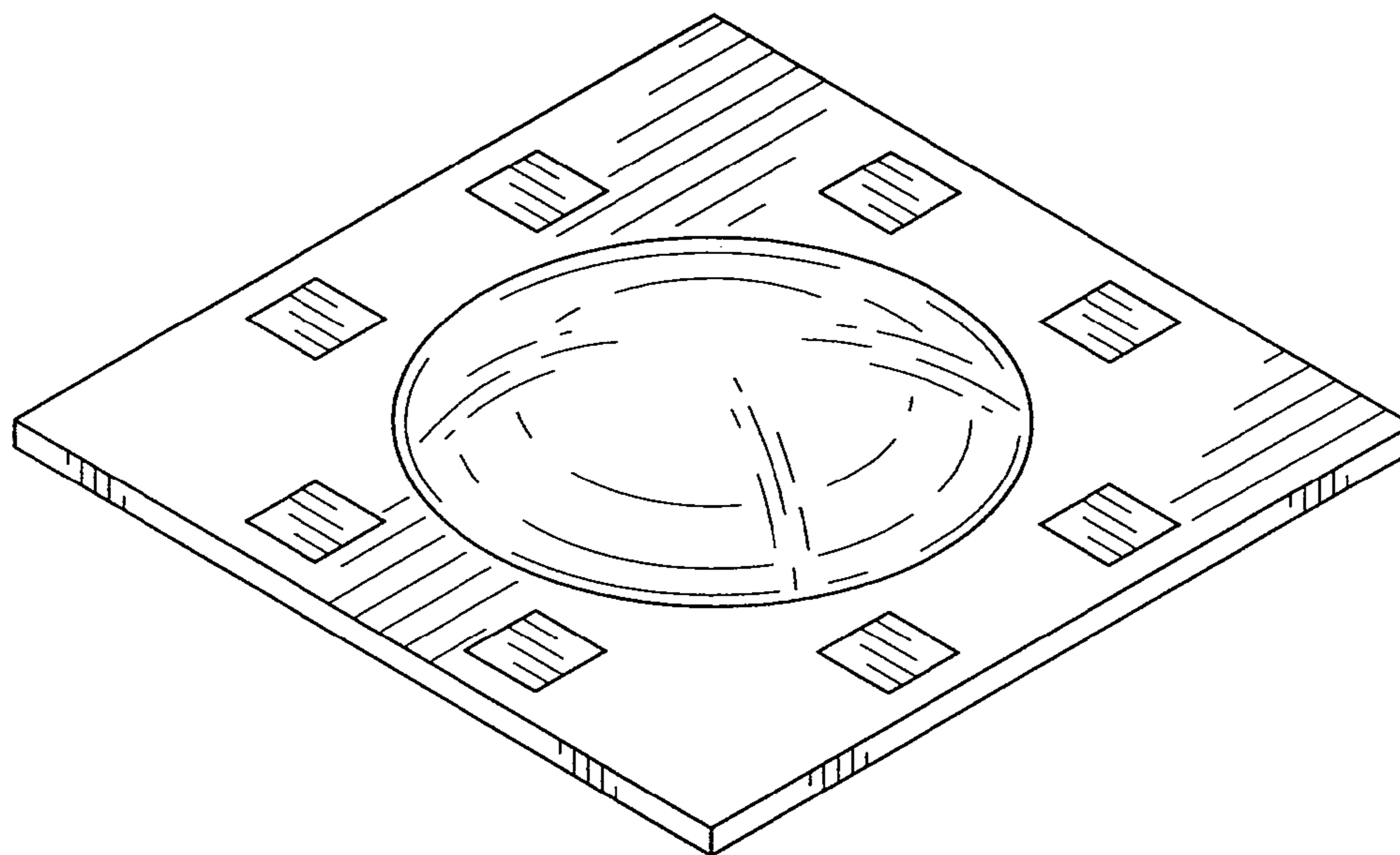


FIG. 1

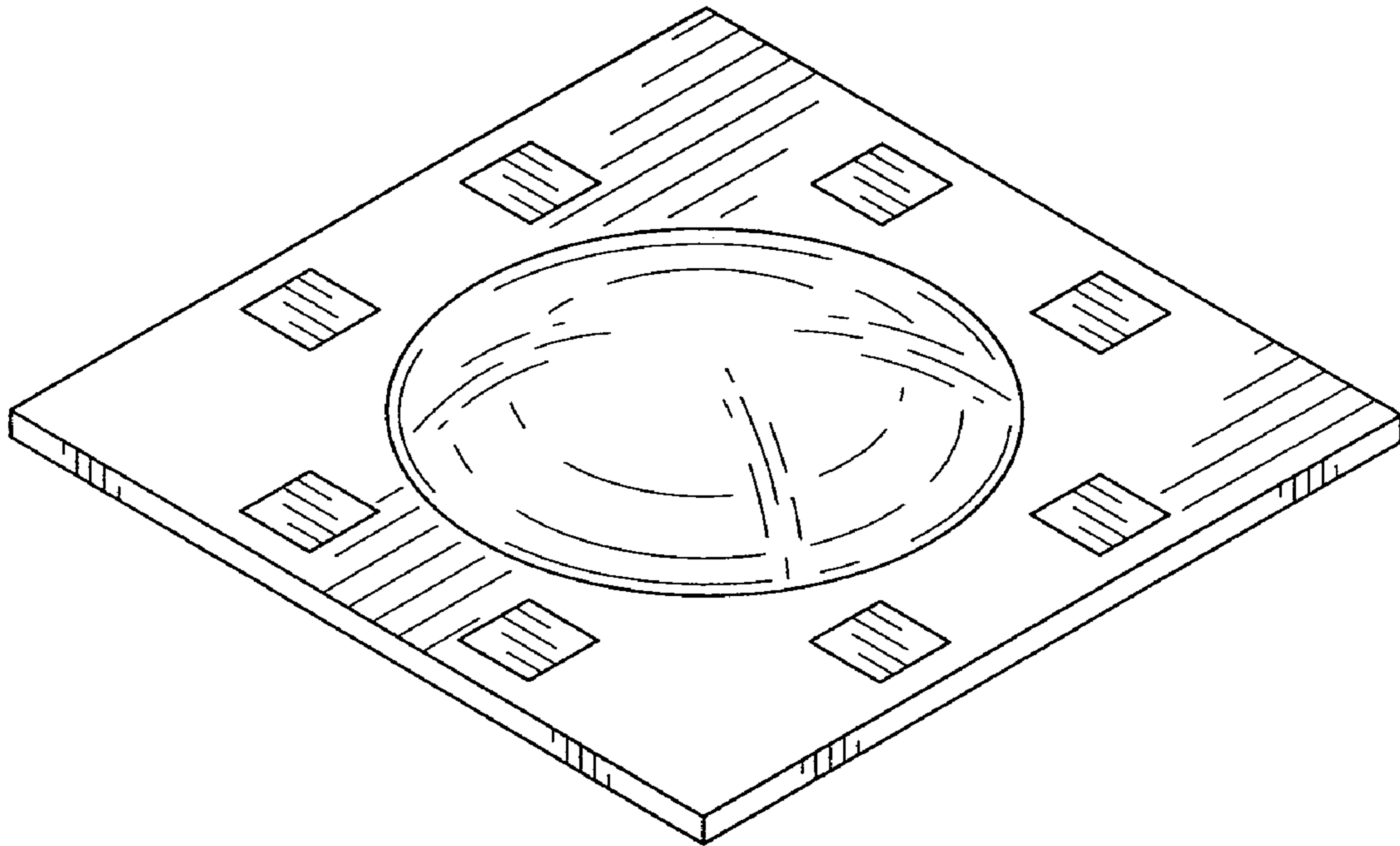


FIG. 2

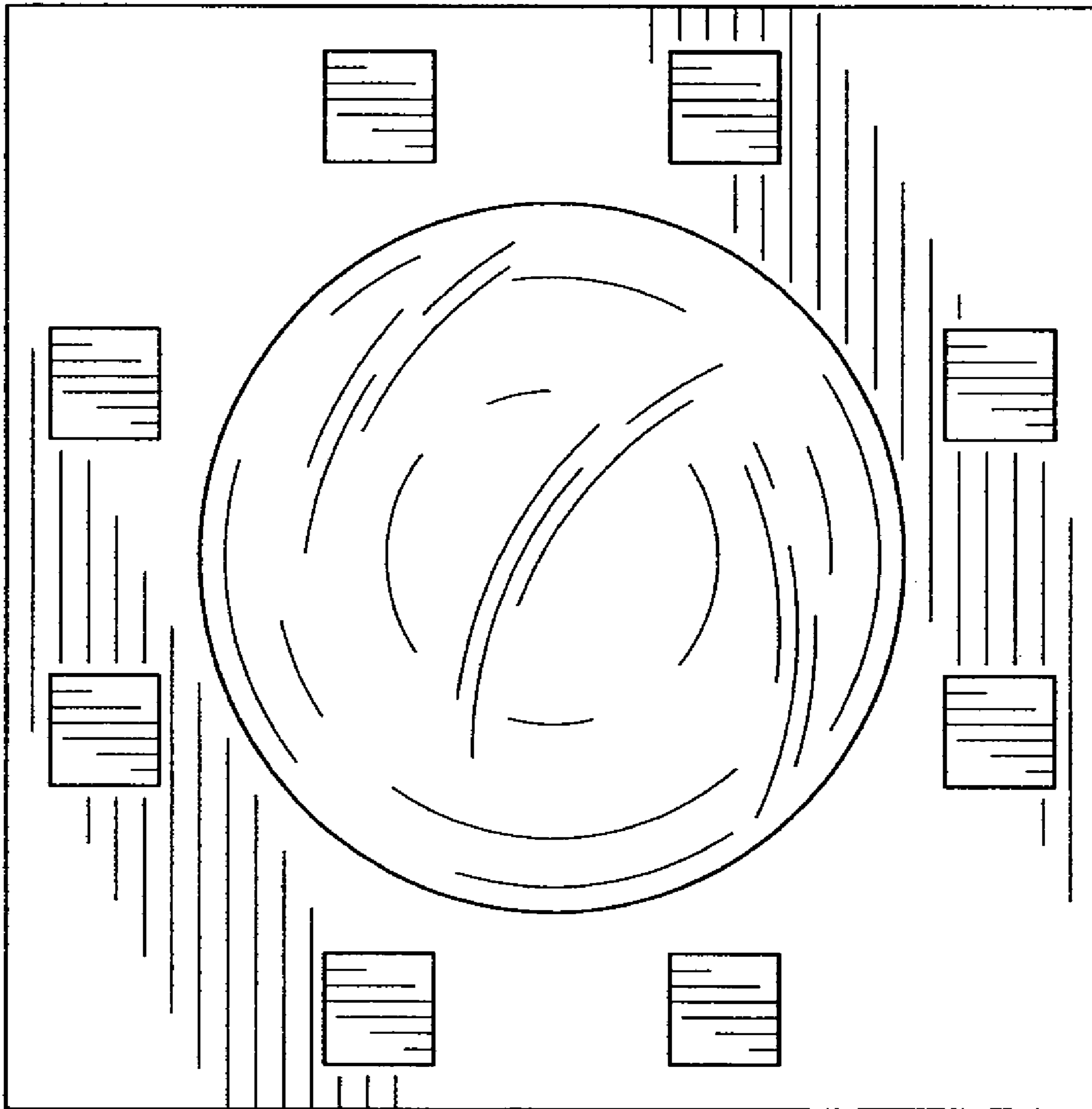


FIG.3

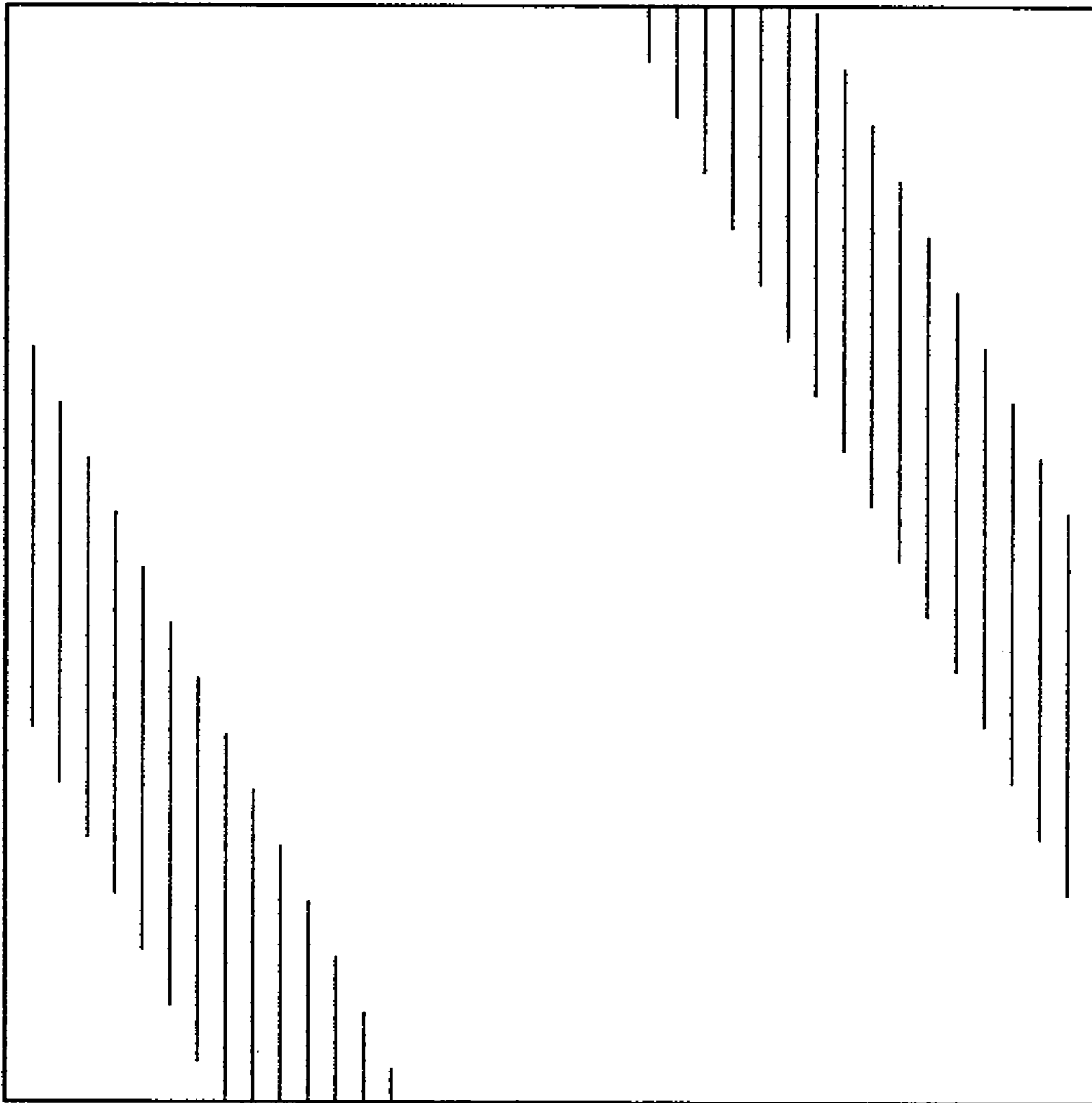


FIG. 4



FIG. 5



FIG.6

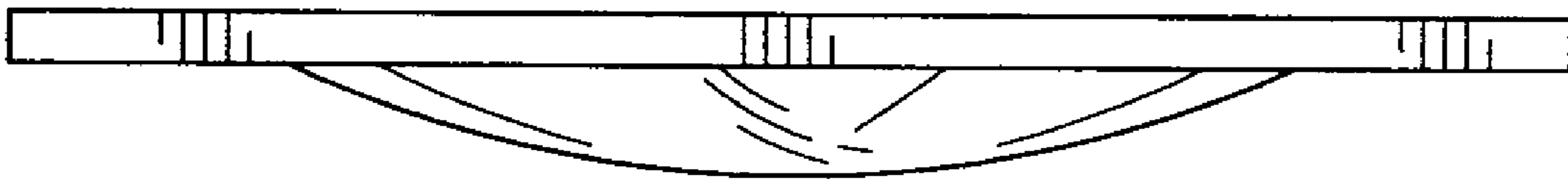


FIG.7

