

US00D576966S

(12) **United States Design Patent**
Ng et al.

(10) **Patent No.:** **US D576,966 S**
(45) **Date of Patent:** **** Sep. 16, 2008**

(54) **LIGHT EMITTING DIODE**

2006/0102917 A1 5/2006 Oyama et al.
2006/0157726 A1 7/2006 Loh et al.
2007/0029569 A1 2/2007 Andrews

(75) Inventors: **Keat Chuan Ng**, Penang (MY); **Chiau Jin Lee**, Penang (MY); **Kheng Leng Tan**, Penang (MY); **Wei Liam Loo**, Penang (MY)

FOREIGN PATENT DOCUMENTS

JP 1223316 11/2004
KR 3003392050000 7/2003
TW 577708 4/2002
TW 596227 1/2003

(73) Assignee: **Avago Technologies General IP (Singapore) Pte Ltd.**, Singapore (SG)

(**) Term: **14 Years**

* cited by examiner

(21) Appl. No.: **29/262,136**

Primary Examiner—Selina Sikder

(22) Filed: **Jun. 26, 2006**

(57) **CLAIM**

(51) **LOC (8) Cl.** **13-03**

The ornamental design for a light emitting diode, as shown and described.

(52) **U.S. Cl.** **D13/180**

(58) **Field of Classification Search** D13/180;
D26/2; 257/79, 80, 81, 82, 88, 89, 95, 98,
257/99, 100, 678, 680, 433, 434; 313/483,
313/498, 500; 361/820; 362/555, 800
See application file for complete search history.

DESCRIPTION

FIG. 1 is a perspective view of the front, top, and left side of a light emitting diode showing the new design, the features shown in broken lines being for illustrative purpose only and forming no part of the claimed design.

(56) **References Cited**

U.S. PATENT DOCUMENTS

5,951,152 A * 9/1999 Zabawski et al. 362/368
D491,899 S * 6/2004 Yagi D13/180
D494,550 S * 8/2004 Hoshiba D13/180
D495,304 S * 8/2004 Kim et al. D13/180
D505,396 S * 5/2005 Hoshiba D13/180
D505,397 S 5/2005 Asakawa
D510,912 S 10/2005 Asakawa
D512,029 S * 11/2005 Kim et al. D13/180
D517,025 S 3/2006 Asakawa
D520,965 S 5/2006 Omata
D522,468 S * 6/2006 Song D13/180
D528,515 S * 9/2006 Sumitani D13/180
D528,997 S 9/2006 Jung et al.
2004/0079957 A1 4/2004 Andrews et al.
2004/0201987 A1 10/2004 Omata
2005/0051789 A1 3/2005 Negley et al.
2005/0127816 A1 * 6/2005 Sumitani 313/498

FIG. 2 is a perspective view of the front, top, and right side of the light emitting diode shown in FIG. 1, the features shown in broken lines being for illustrative purpose only and forming no part of the claimed design.

FIG. 3 is a top view of the light emitting diode shown in FIG. 1, the features shown in broken lines being for illustrative purpose only and forming no part of the claimed design.

FIG. 4 is a perspective view of the back, bottom and right side of the light emitting diode shown in FIG. 1, the features shown in broken lines being for illustrative purpose only and forming no part of the claimed design; and,

FIG. 5 is perspective view of the back, bottom and left side of the light emitting diode shown in FIG. 1, the features shown in broken lines being for illustrative purpose only and forming no part of the claimed design.

1 Claim, 2 Drawing Sheets

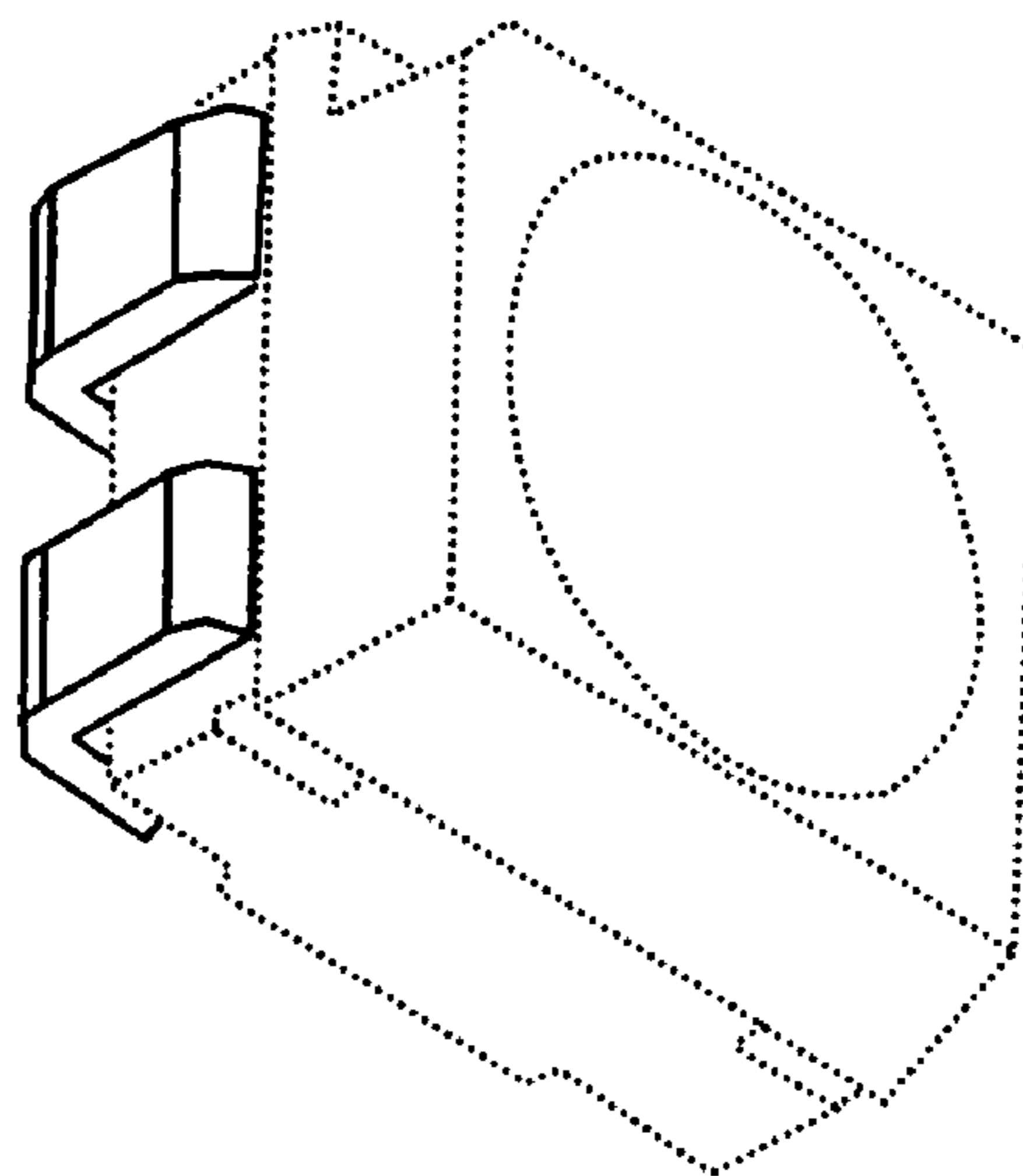


FIGURE 2

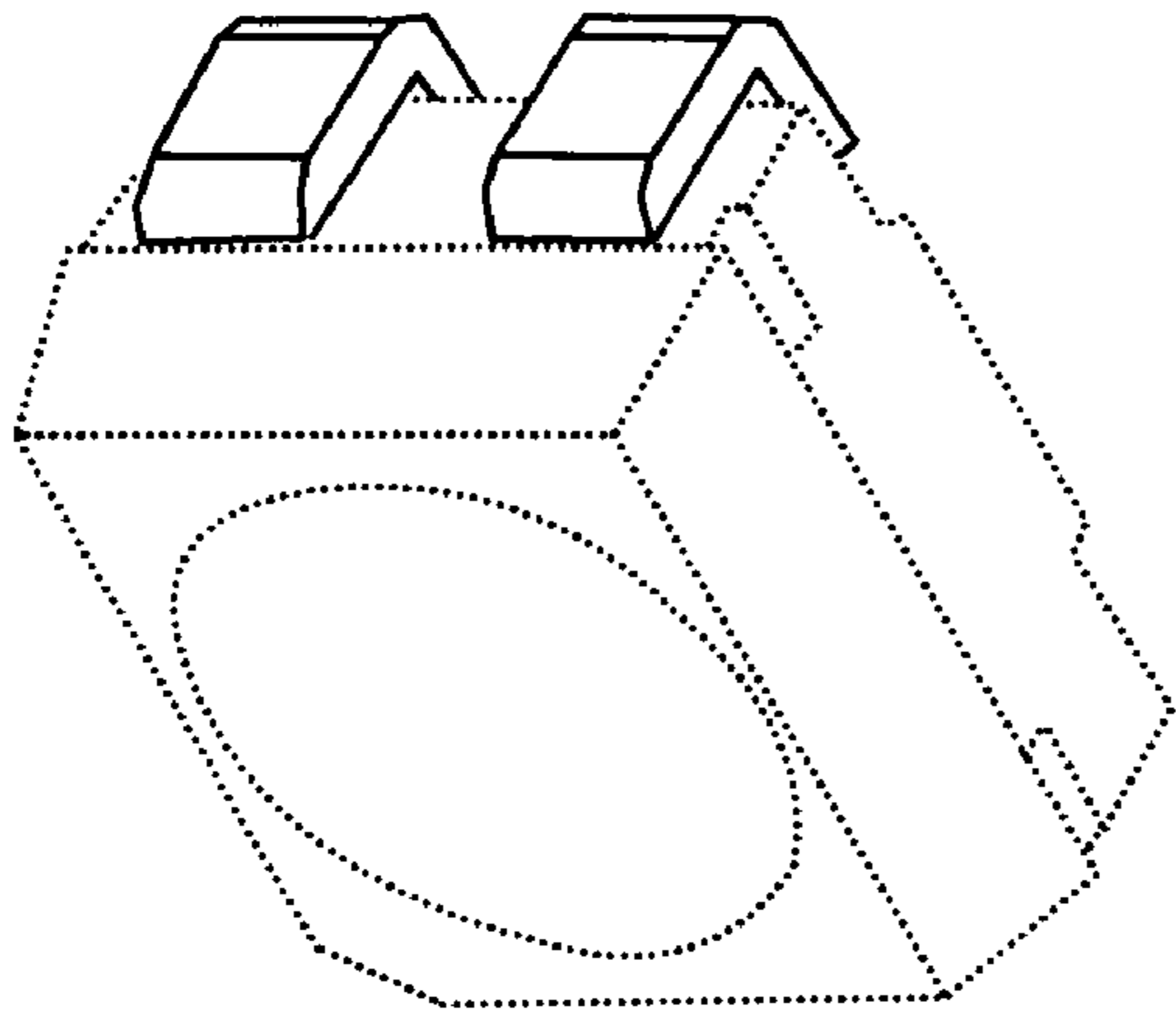


FIGURE 1

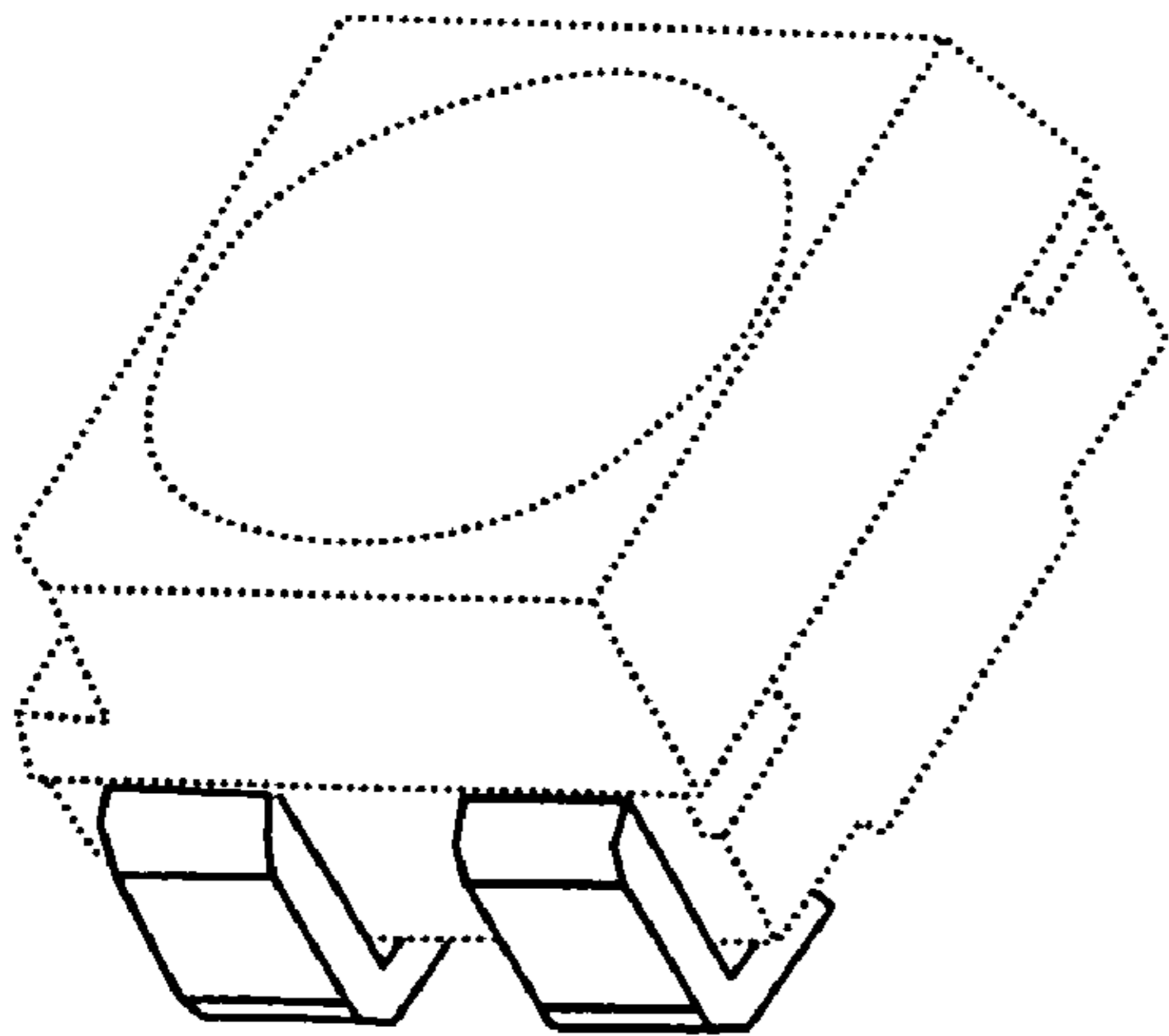
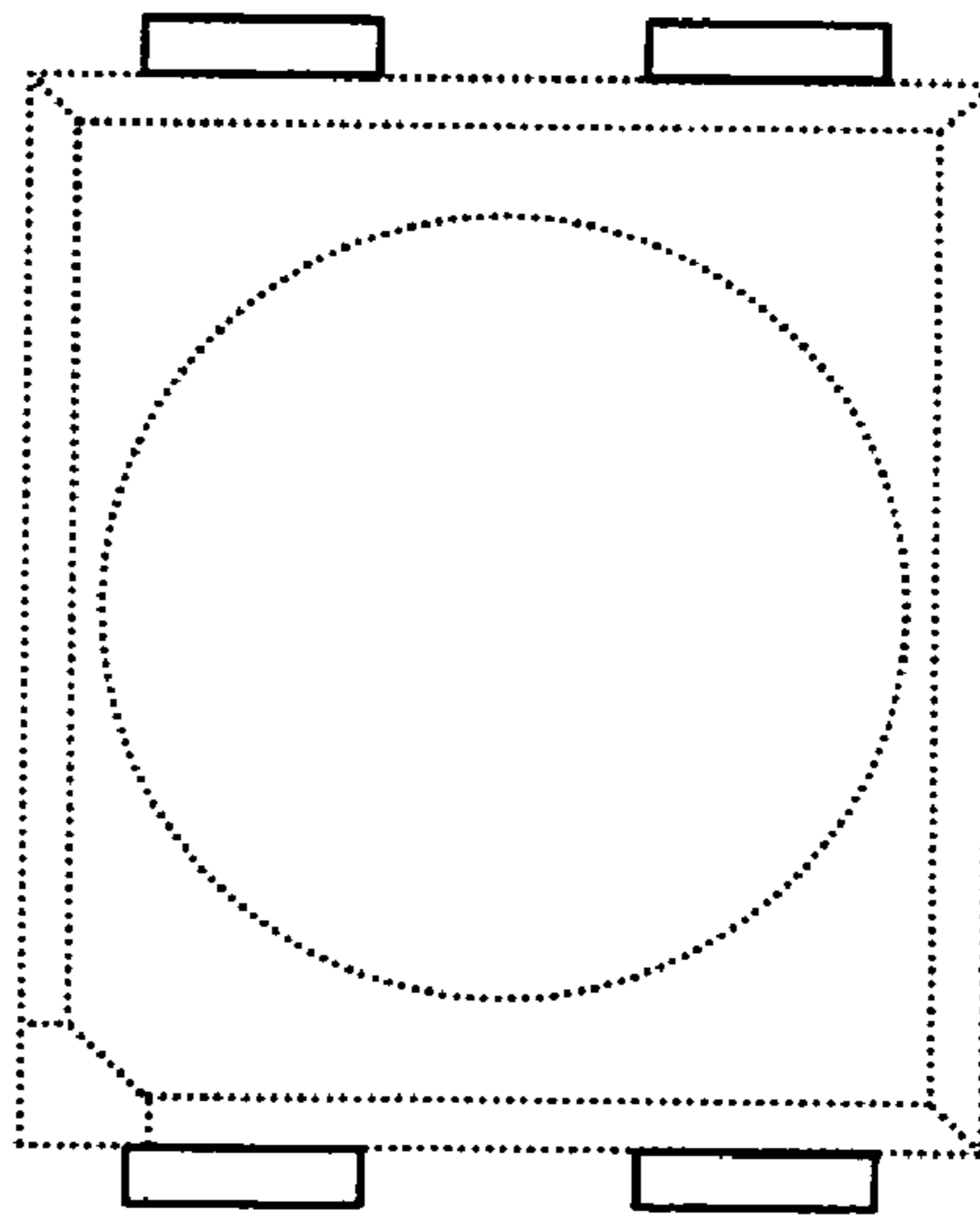


FIGURE 3



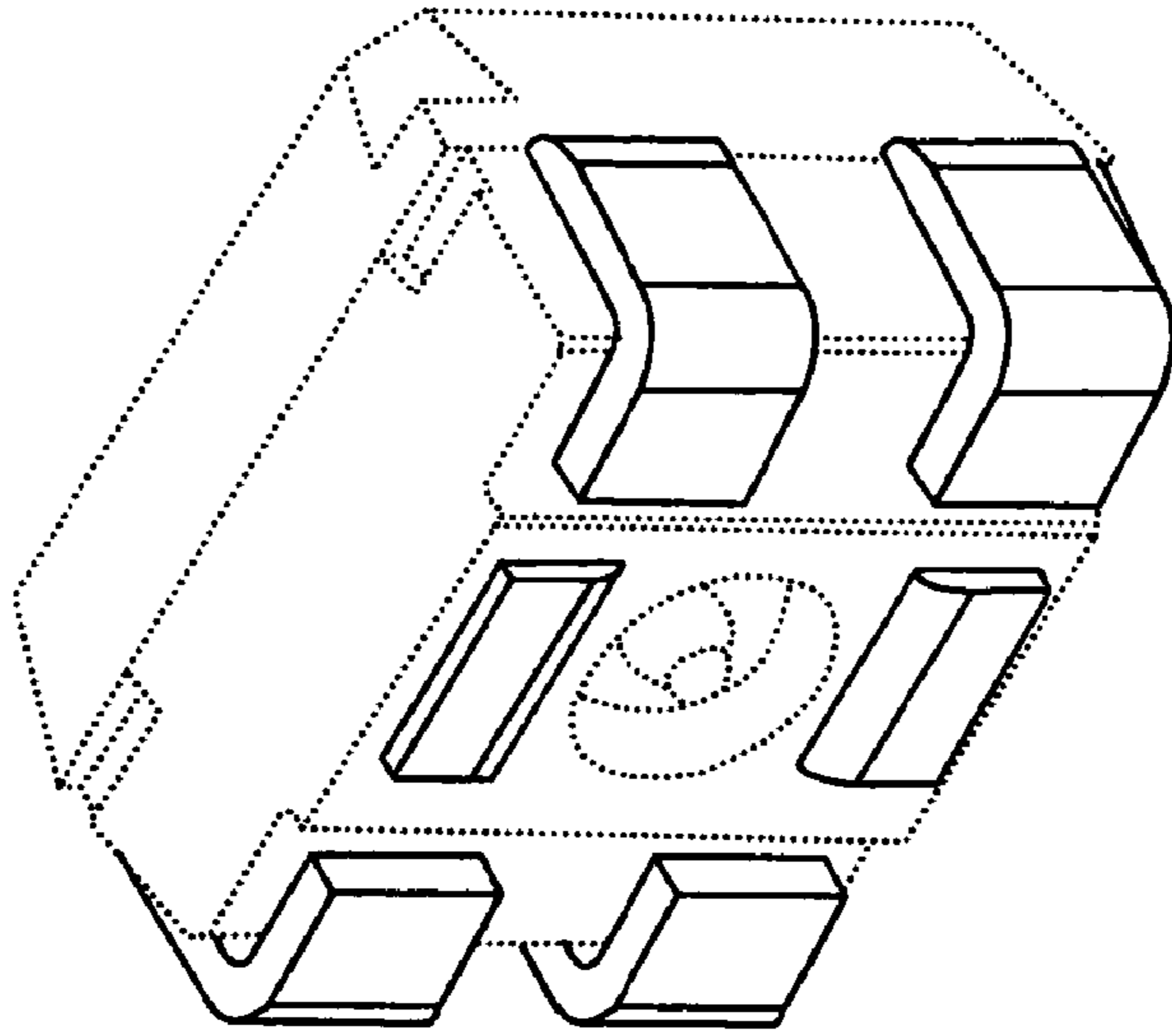


FIGURE 5

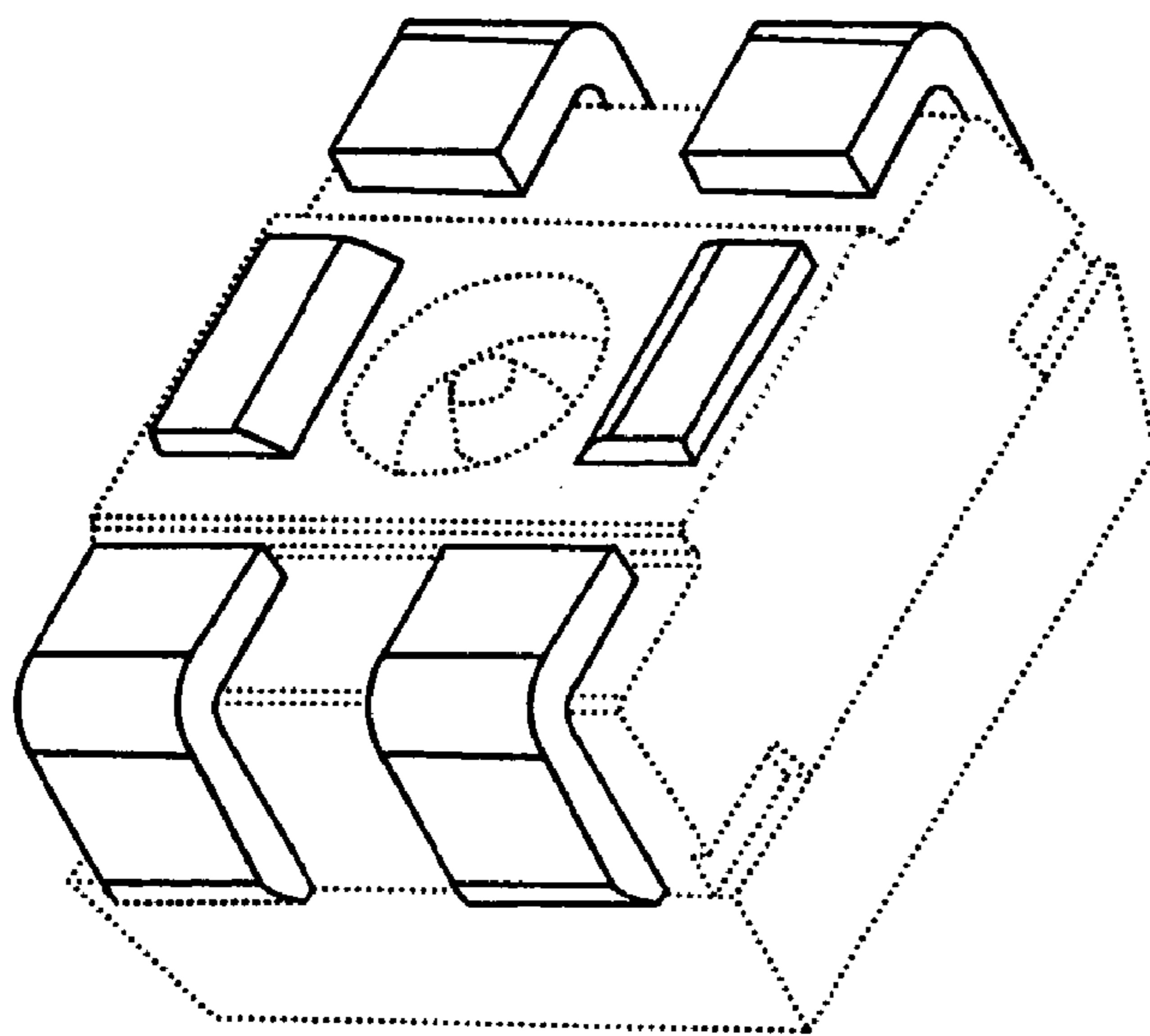


FIGURE 4