



US00D576962S

(12) **United States Design Patent**  
**Kidman**

(10) **Patent No.:** **US D576,962 S**

(45) **Date of Patent:** **\*\* Sep. 16, 2008**

- (54) **WIDE-STRAP DIMMER SWITCH**
- (75) Inventor: **Brent L. Kidman**, Spanish Fork, UT (US)
- (73) Assignee: **Cheetah USA Corp.**, Sandy, UT (US)
- (\*\*) Term: **14 Years**
- (21) Appl. No.: **29/280,682**
- (22) Filed: **Jun. 4, 2007**

6,891,117	B1 *	5/2005	Gouhl et al.	.....	200/339
7,030,319	B2 *	4/2006	Johnsen et al.	.....	174/66
7,122,753	B1 *	10/2006	Davis	.....	200/331
7,122,754	B2 *	10/2006	Endres et al.	.....	200/339
D534,875	S *	1/2007	Wu	.....	D13/169
7,284,996	B2 *	10/2007	Kidman	.....	439/136
7,318,732	B2 *	1/2008	Kidman	.....	439/136

**Related U.S. Application Data**

- (63) Continuation-in-part of application No. 11/328,650, filed on Jan. 10, 2006, now Pat. No. 7,284,996, and a continuation-in-part of application No. 11/542,746, filed on Oct. 4, 2006, which is a continuation of application No. 10/435,716, filed on May 8, 2003, now Pat. No. 7,118,413, which is a continuation of application No. 09/974,306, filed on Oct. 10, 2001, now Pat. No. 6,609,927.
- (51) **LOC (8) Cl.** ..... **13-03**
- (52) **U.S. Cl.** ..... **D13/169**
- (58) **Field of Classification Search** ..... D13/169;  
174/66; 200/5 R, 1 B, 433, 525, 553, 315,  
200/329, 335, 332, 339; 338/176; 315/291-296  
See application file for complete search history.

**References Cited**

**U.S. PATENT DOCUMENTS**

2,740,873	A	4/1956	Cronk	
3,770,920	A *	11/1973	Poliak	..... 200/457
4,489,297	A *	12/1984	Haydon et al.	..... 335/207
4,500,746	A	2/1985	Meehan	
4,669,804	A *	6/1987	Munroe	..... 439/398
4,835,343	A *	5/1989	Graef et al.	..... 174/66
4,939,383	A *	7/1990	Tucker et al.	..... 307/139
5,180,886	A	1/1993	Dierenbach et al.	
5,189,259	A *	2/1993	Carson et al.	..... 174/66
5,207,317	A *	5/1993	Bryde et al.	..... 200/457
D360,876	S *	8/1995	Hughes	..... D13/177
D364,141	S *	11/1995	Hanna et al.	..... D13/125
5,723,817	A	3/1998	Arenas et al.	
5,895,888	A *	4/1999	Arenas et al.	..... 174/66
5,950,812	A *	9/1999	Tanacan et al.	..... 200/458
6,005,308	A	12/1999	Bryde et al.	

**OTHER PUBLICATIONS**

Pass & Seymour Legrand "Switches" Pass & Seymour catalog, no date, pp. A-1-A-23.  
 Pass & Seymour Legrand "Straight Blade Devices" Pass & Seymour catalog, no date, pp. B-1-B-49.  
 Pass & Seymour Legrand "Wall Plates & Specialties" Pass & Seymour catalog, no date, pp. S-1-S-57.

\* cited by examiner

*Primary Examiner*—Selina Sikder  
 (74) *Attorney, Agent, or Firm*—Pate Pierce & Baird

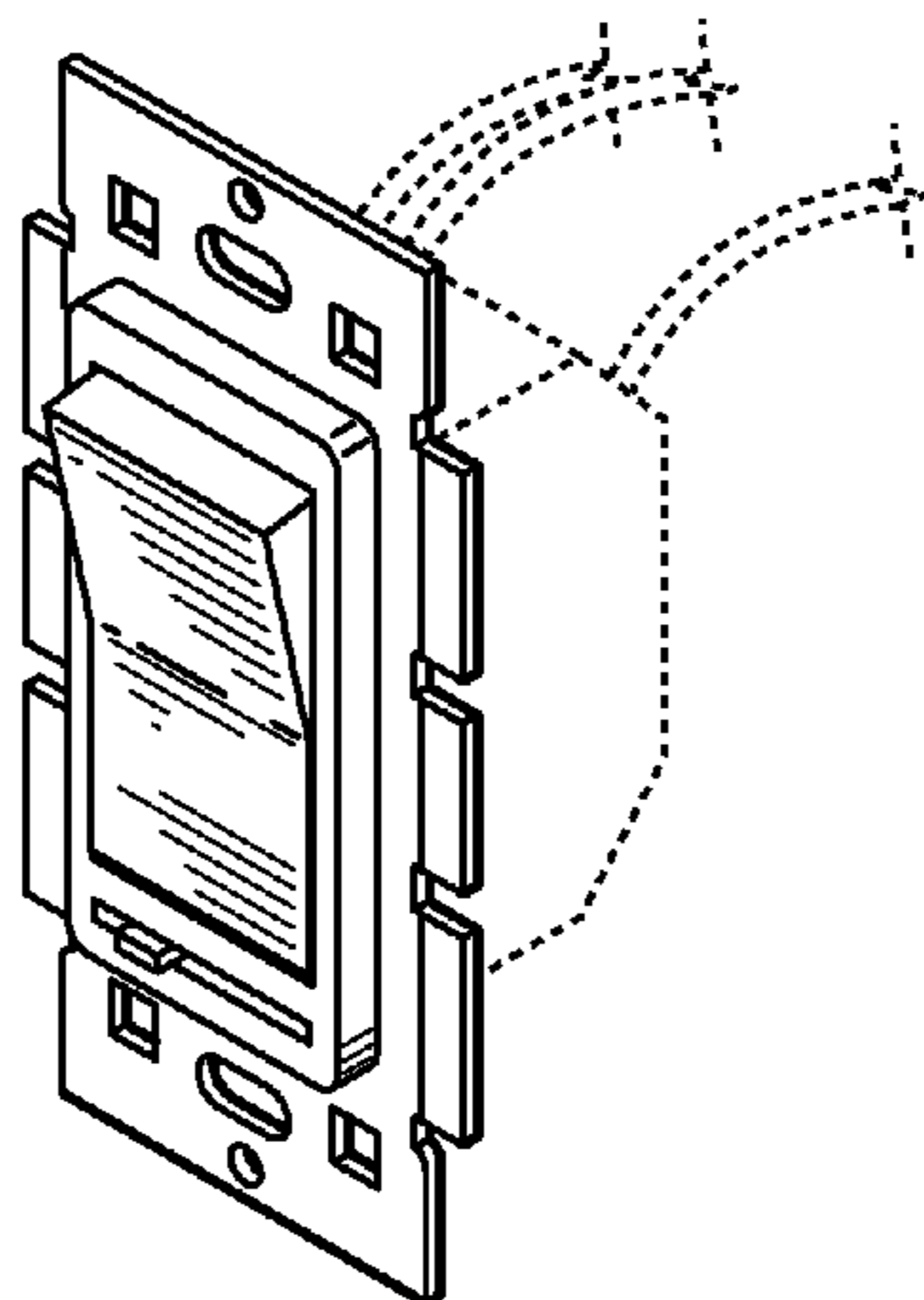
**CLAIM**

The ornamental design for a wide-strap dimmer switch, as shown and described.

**DESCRIPTION**

FIG. 1 is a left side elevation view of the wide-strap paddle switch in accordance with the design;  
 FIG. 2 is a front elevation view of the wide-strap paddle switch in accordance with the design;  
 FIG. 3 is a right side elevation view of the wide-strap paddle switch in accordance with the design;  
 FIG. 4 is a top plan view of the wide-strap paddle switch in accordance with the design;  
 FIG. 5 is a rear elevation view of the wide-strap paddle switch in accordance with the design;  
 FIG. 6 is a bottom plan view of the wide-strap paddle switch in accordance with the design; and,  
 FIG. 7 is a frontal perspective view of the wide-strap paddle switch in accordance with the design.  
 The broken lines represent unclaimed subject matter.

**1 Claim, 1 Drawing Sheet**



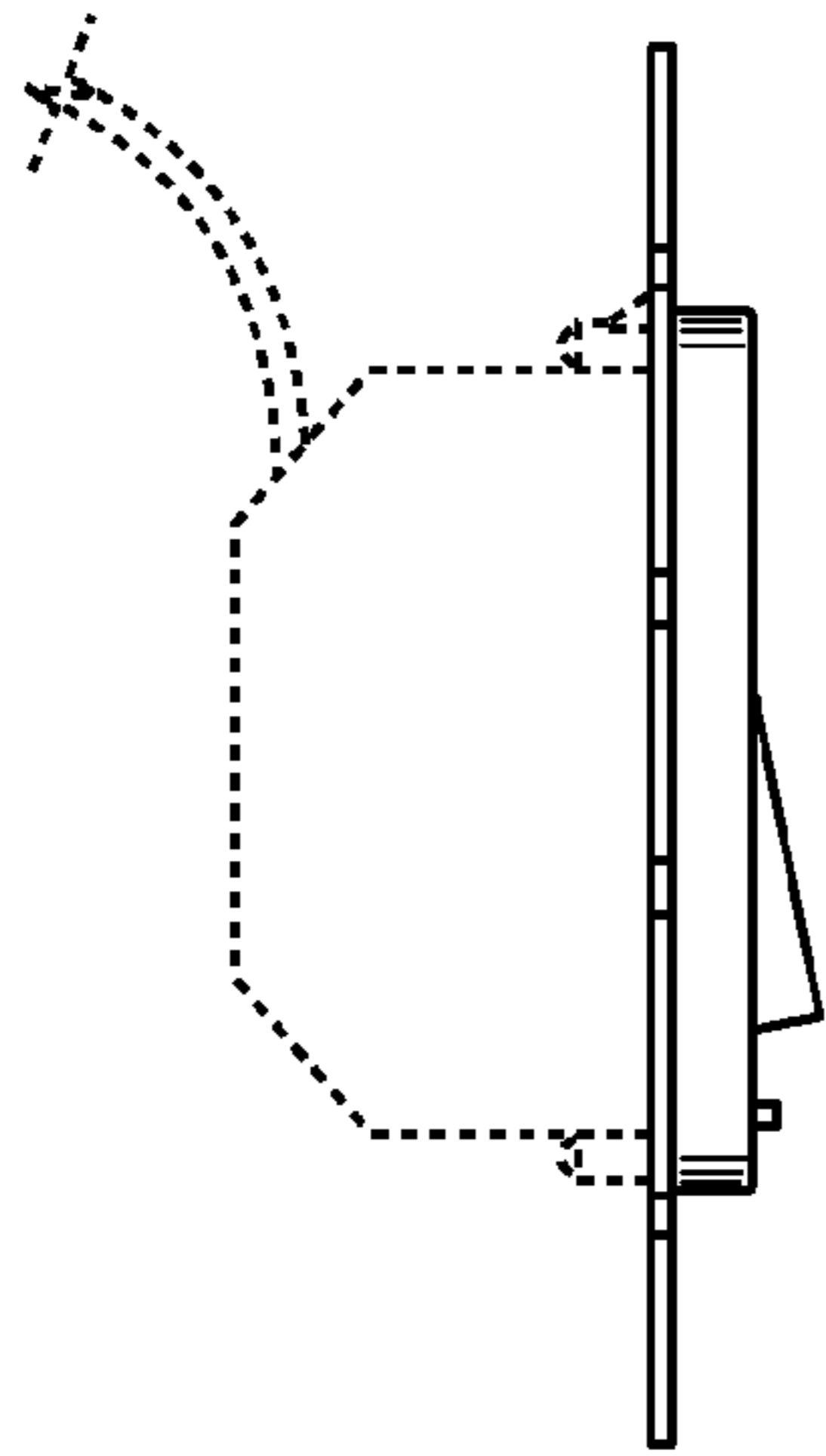


FIG. 1

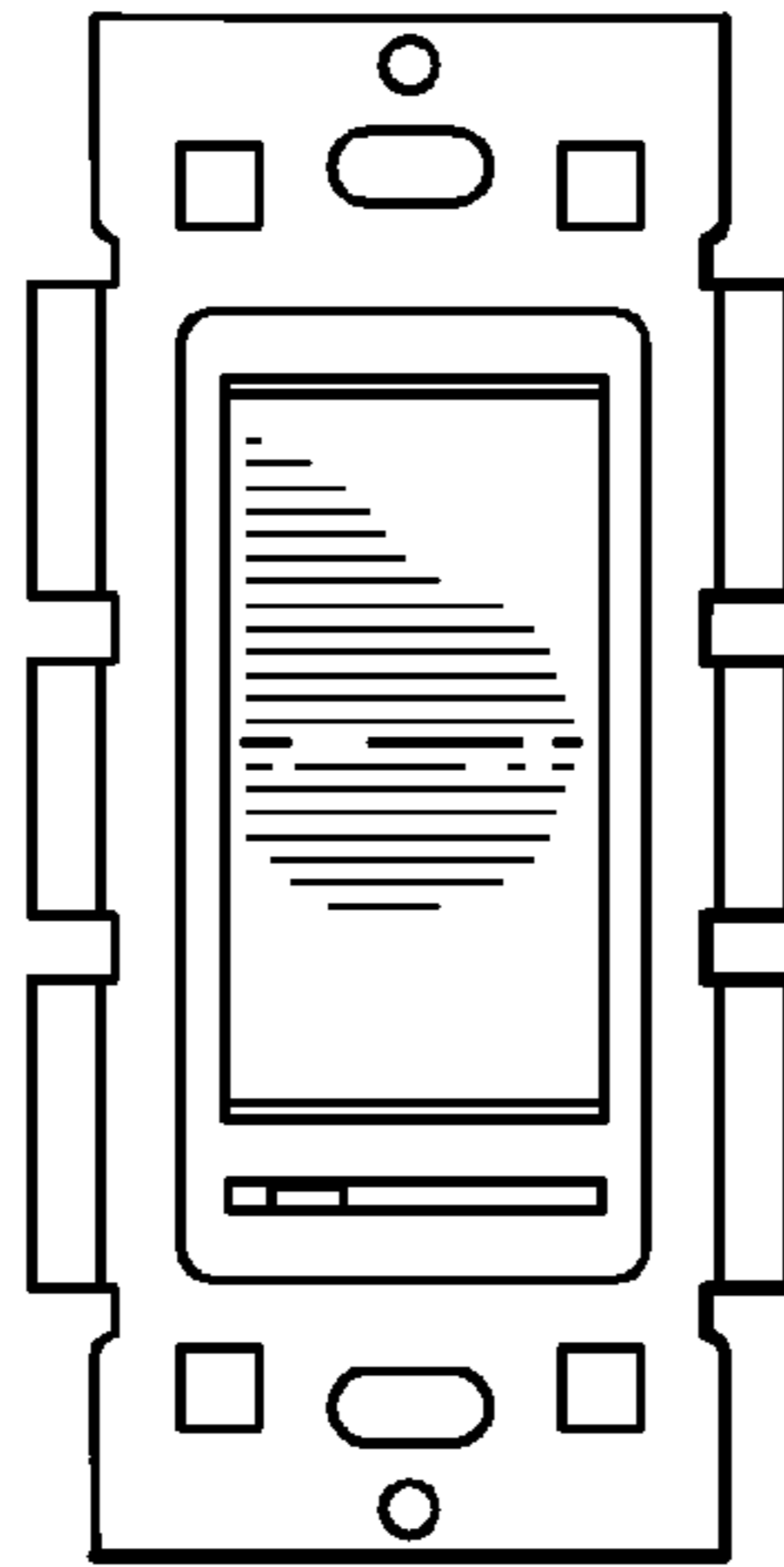


FIG. 2

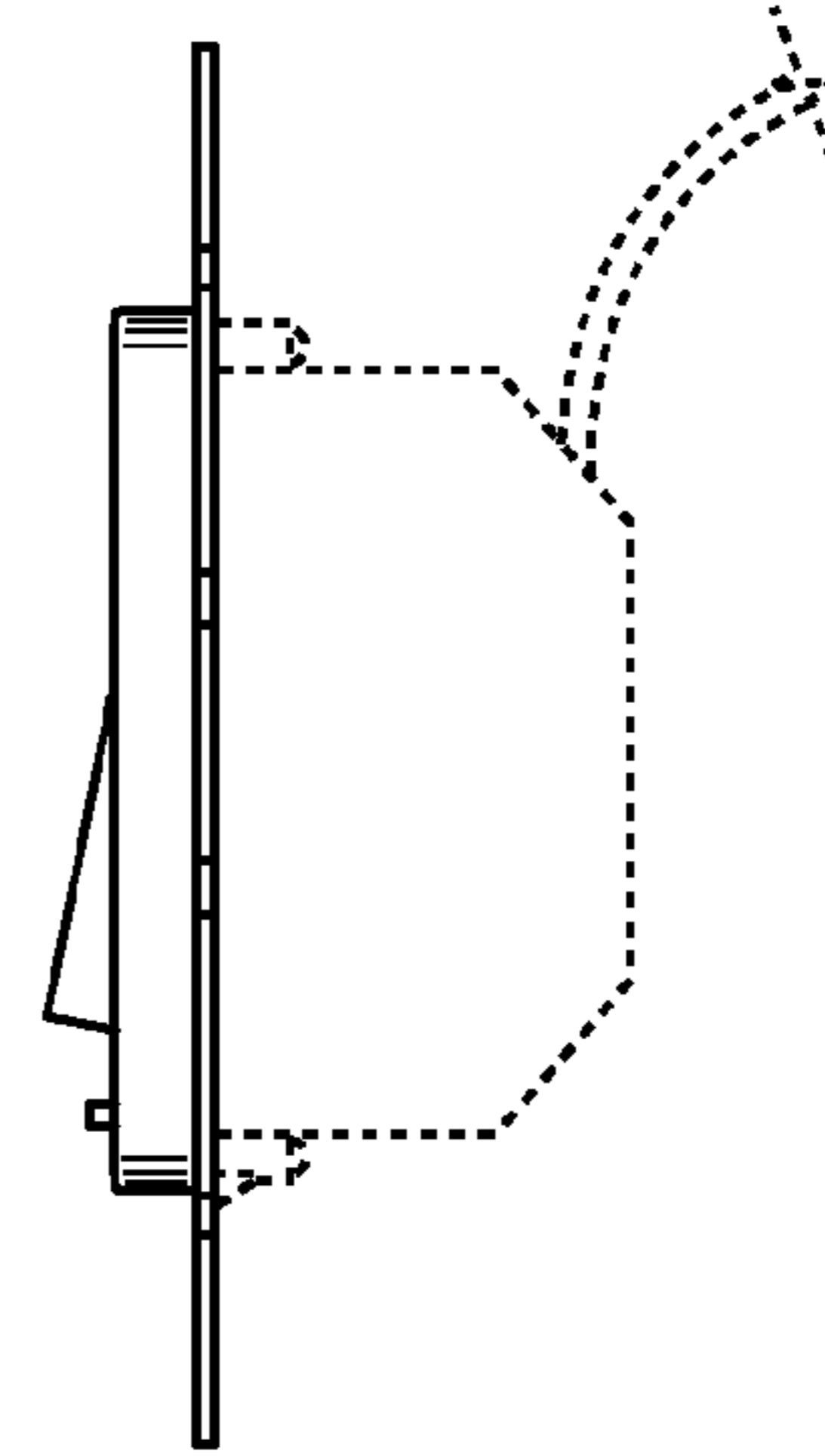


FIG. 3

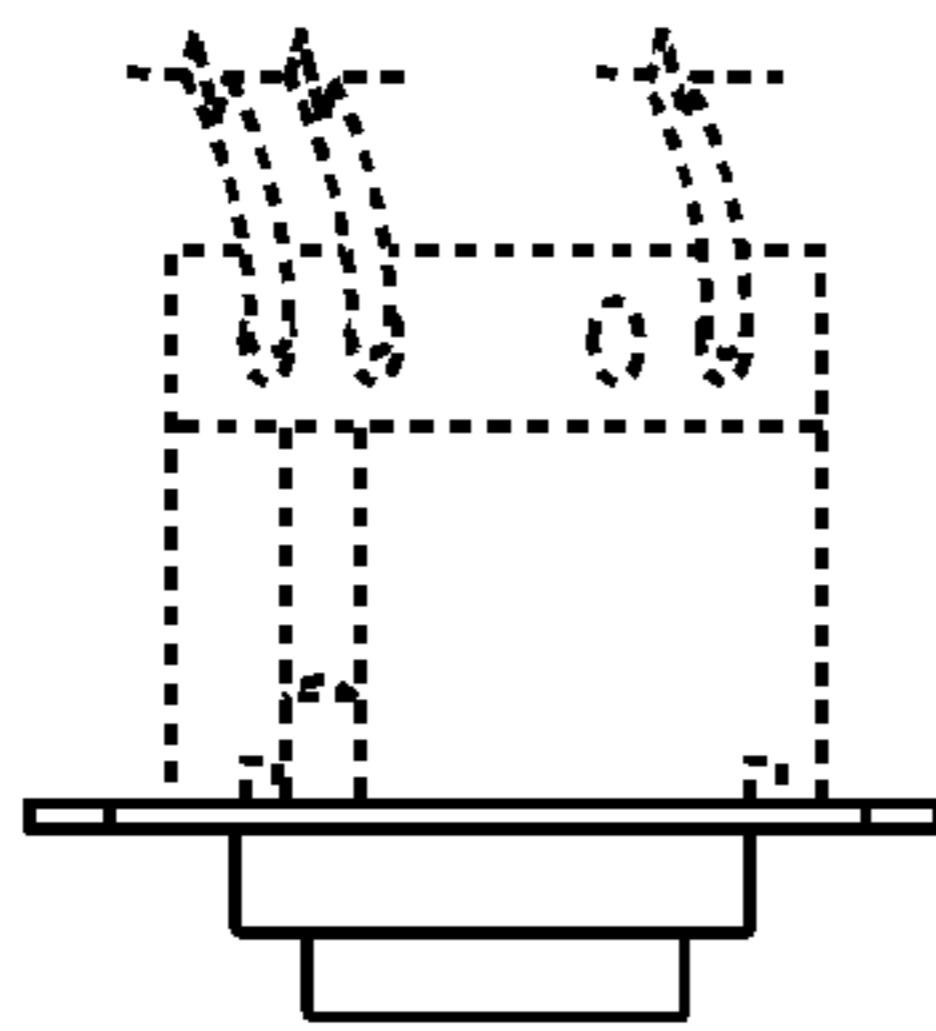


FIG. 4

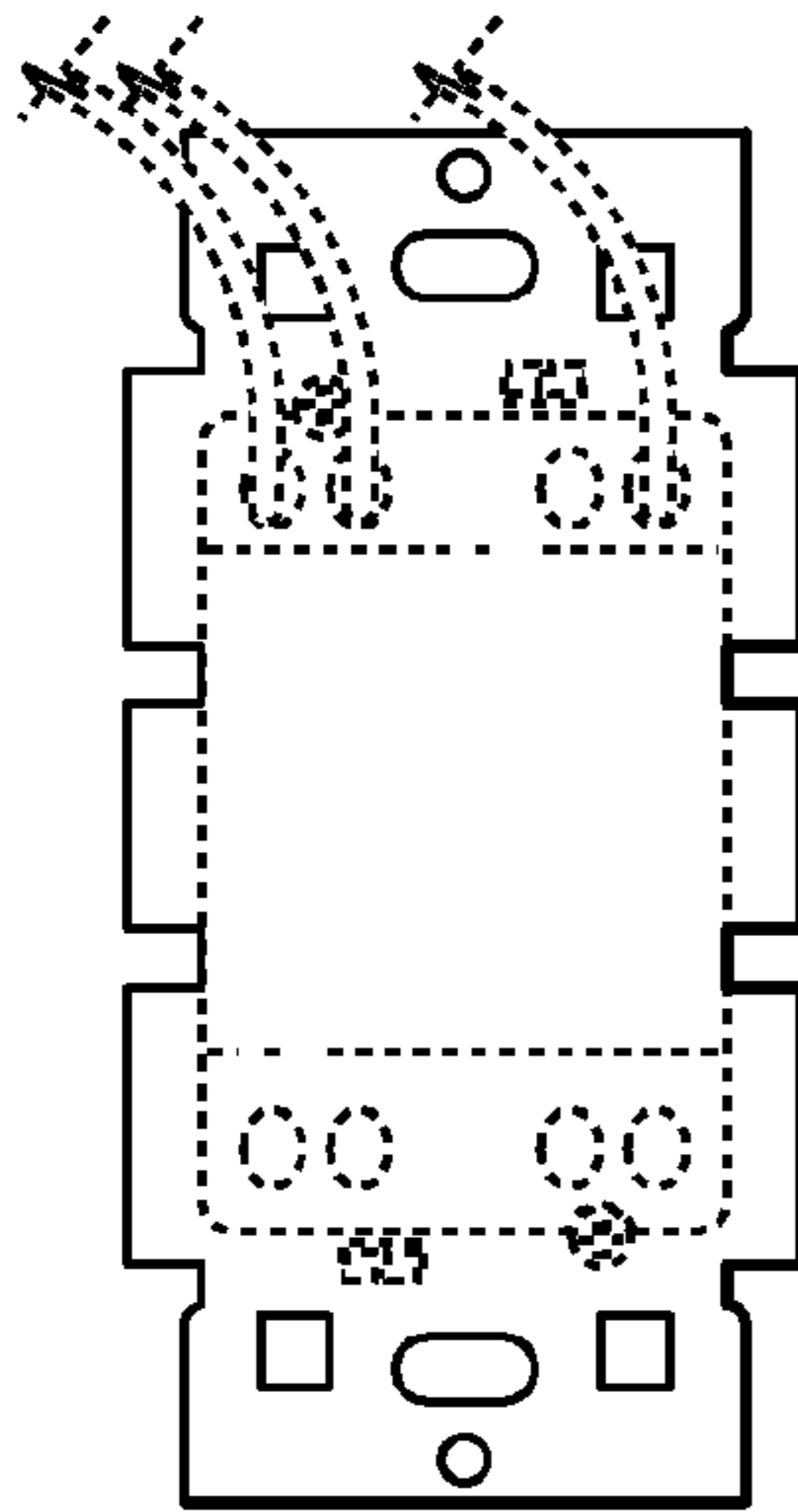


FIG. 5

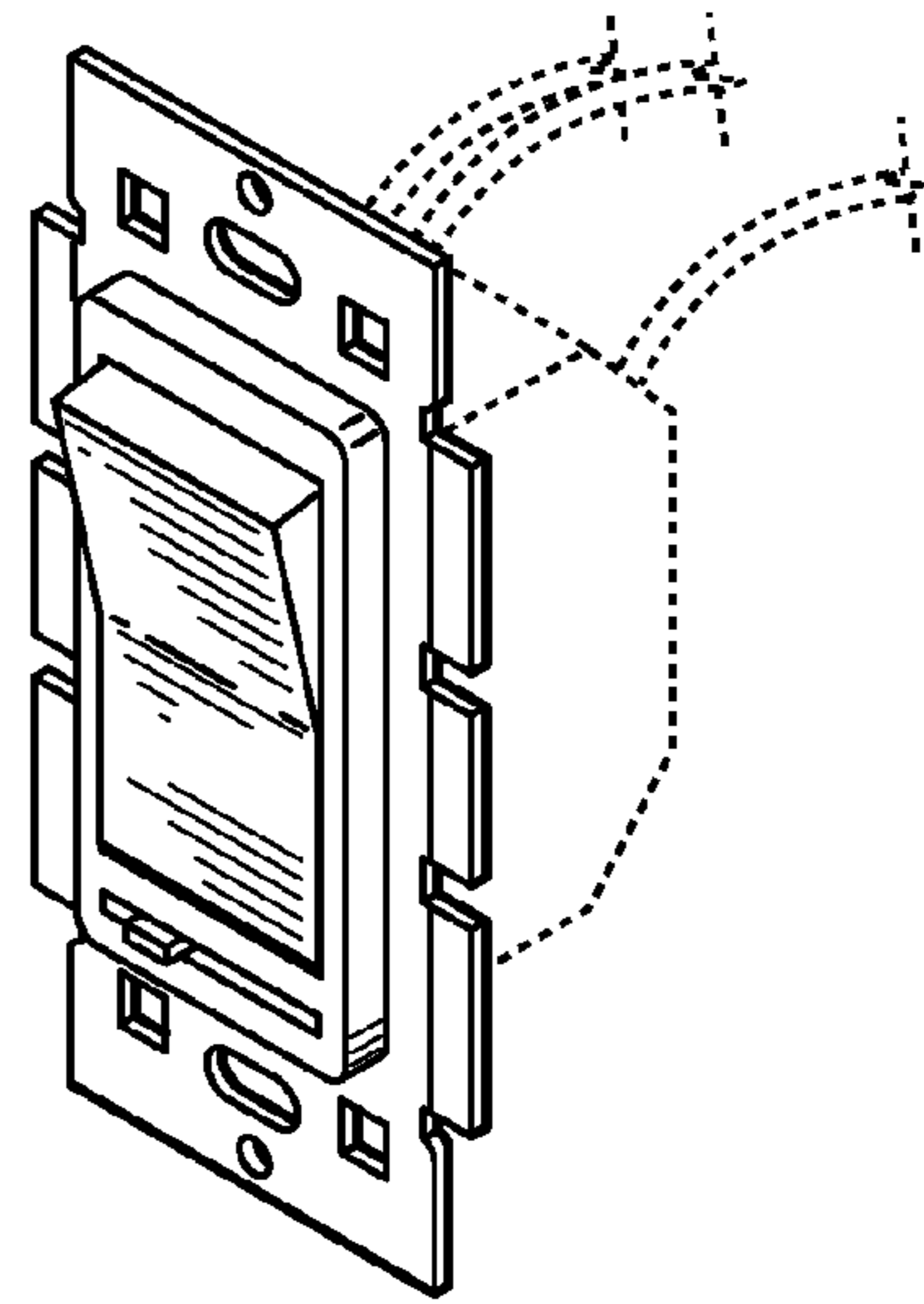


FIG. 7

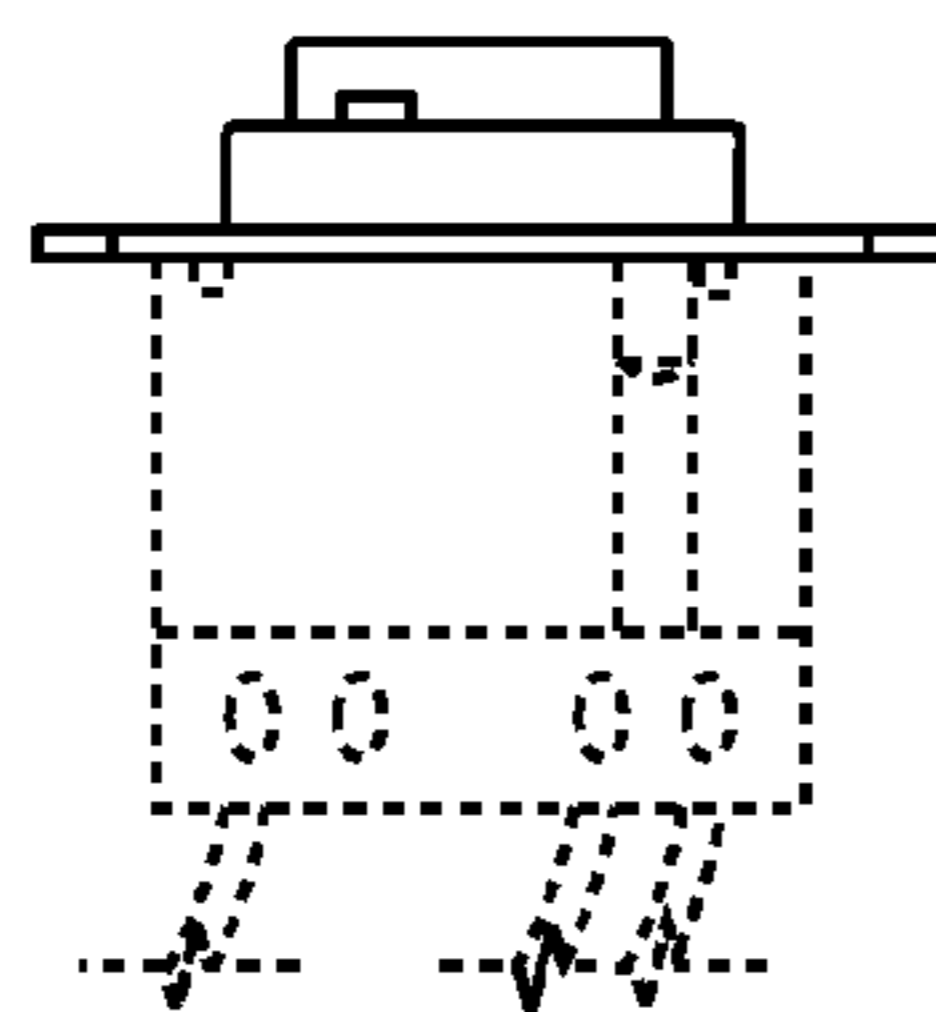


FIG. 6