



US00D576960S

(12) **United States Design Patent**
Aldape et al.

(10) **Patent No.:** **US D576,960 S**
(45) **Date of Patent:** **** Sep. 16, 2008**

(54) **SIX BUTTON CONTROL HEAD**
(75) Inventors: **John Luis Aldape**, Boise, ID (US);
Robert W. Corrigan, Boise, ID (US);
Scott McKendry, Trevallyn (AU);
Kevin David Brewster, King Island
(AU); **Chris J. Laning**, Cottesloe (AU)
(73) Assignee: **Electronic Controls Company**, Boise,
ID (US)

(**) Term: **14 Years**
(21) Appl. No.: **29/296,161**
(22) Filed: **Oct. 15, 2007**

(51) **LOC (8) Cl.** **13-03**
(52) **U.S. Cl.** **D13/168**
(58) **Field of Classification Search** D13/168;
D10/104, 106; D14/218, 247; 340/825.22,
340/825.24, 825.25, 825.31, 825.36, 825.69,
340/825.72; 341/20, 22, 23, 34, 176; 345/156,
345/158, 169; 348/734; 455/92, 95, 100,
455/128, 151.1–151.4, 352–355; 463/39;
700/17, 19, 20, 65, 83; 701/2
See application file for complete search history.

(56) **References Cited**
U.S. PATENT DOCUMENTS
D400,115 S * 10/1998 Yaron et al. D10/104
5,940,007 A * 8/1999 Brinkmeyer et al. ... 340/825.69

6,366,202 B1 * 4/2002 Rosenthal 340/539.32
D503,687 S * 4/2005 Hoffman D13/168
D515,515 S * 2/2006 Li D13/168
D525,947 S * 8/2006 Gerard et al. D13/168
D528,990 S * 9/2006 Li D13/168
D556,701 S * 12/2007 Nohara et al. D13/168
2003/0117261 A1 * 6/2003 Gunsch 340/5.25
2008/0071429 A1 * 3/2008 Kraimer et al. 701/2
2008/0109123 A1 * 5/2008 Kachouh et al. 701/2

* cited by examiner
Primary Examiner—Selina Sikder
(74) *Attorney, Agent, or Firm*—Joseph W. Holland; Holland
Law Office, PLLC

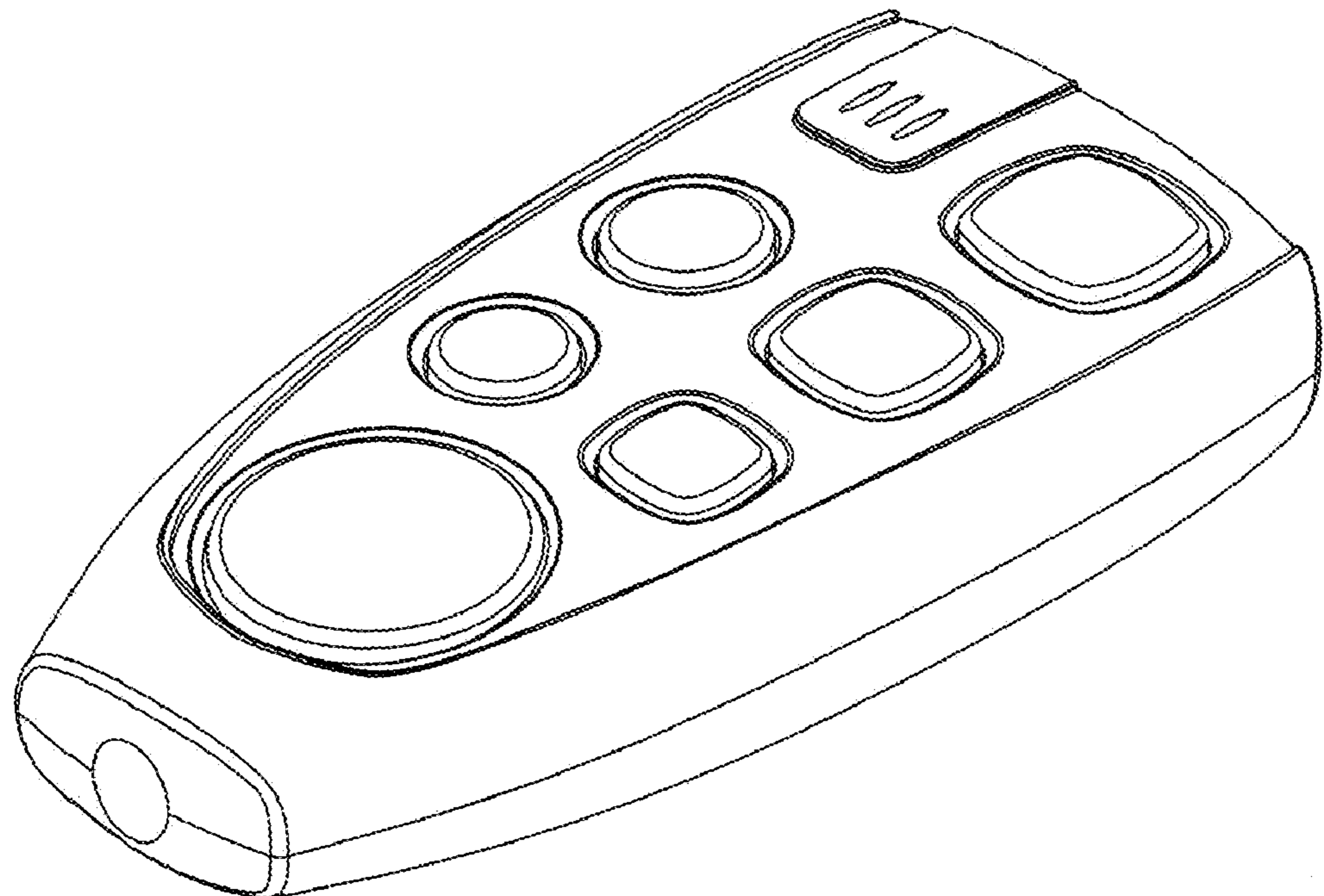
(57) **CLAIM**

The ornamental design for a six button control head, as shown
and described.

DESCRIPTION

FIG. 1 is a perspective view of a six button control head
showing our new design;
FIG. 2 is a front view thereof;
FIG. 3 is a top view thereof;
FIG. 4 is a first side view thereof;
FIG. 5 is a bottom view thereof;
FIG. 6 is a second side view thereof; and,
FIG. 7 is a rear view thereof.

1 Claim, 3 Drawing Sheets



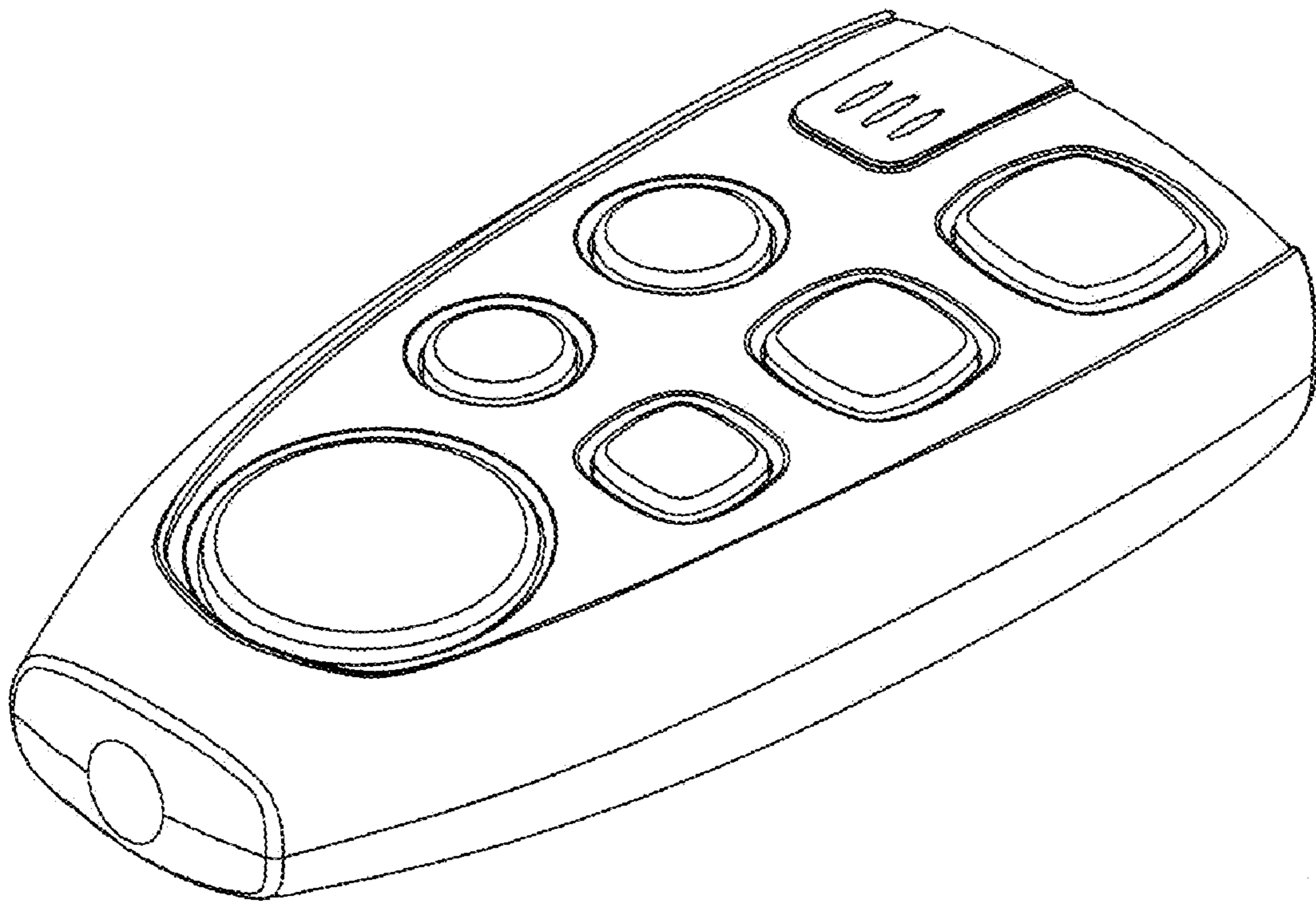


Fig. 1

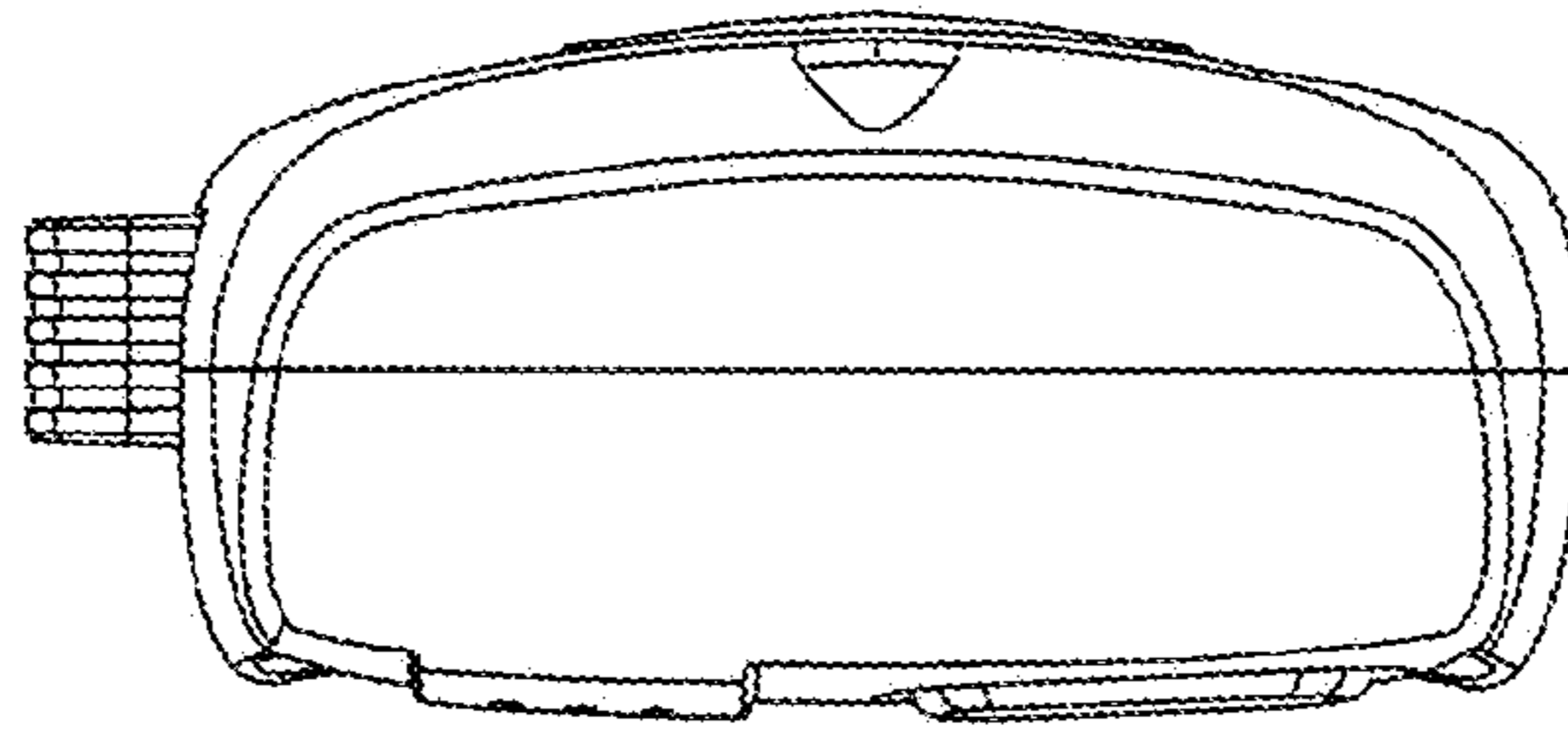


Fig. 2

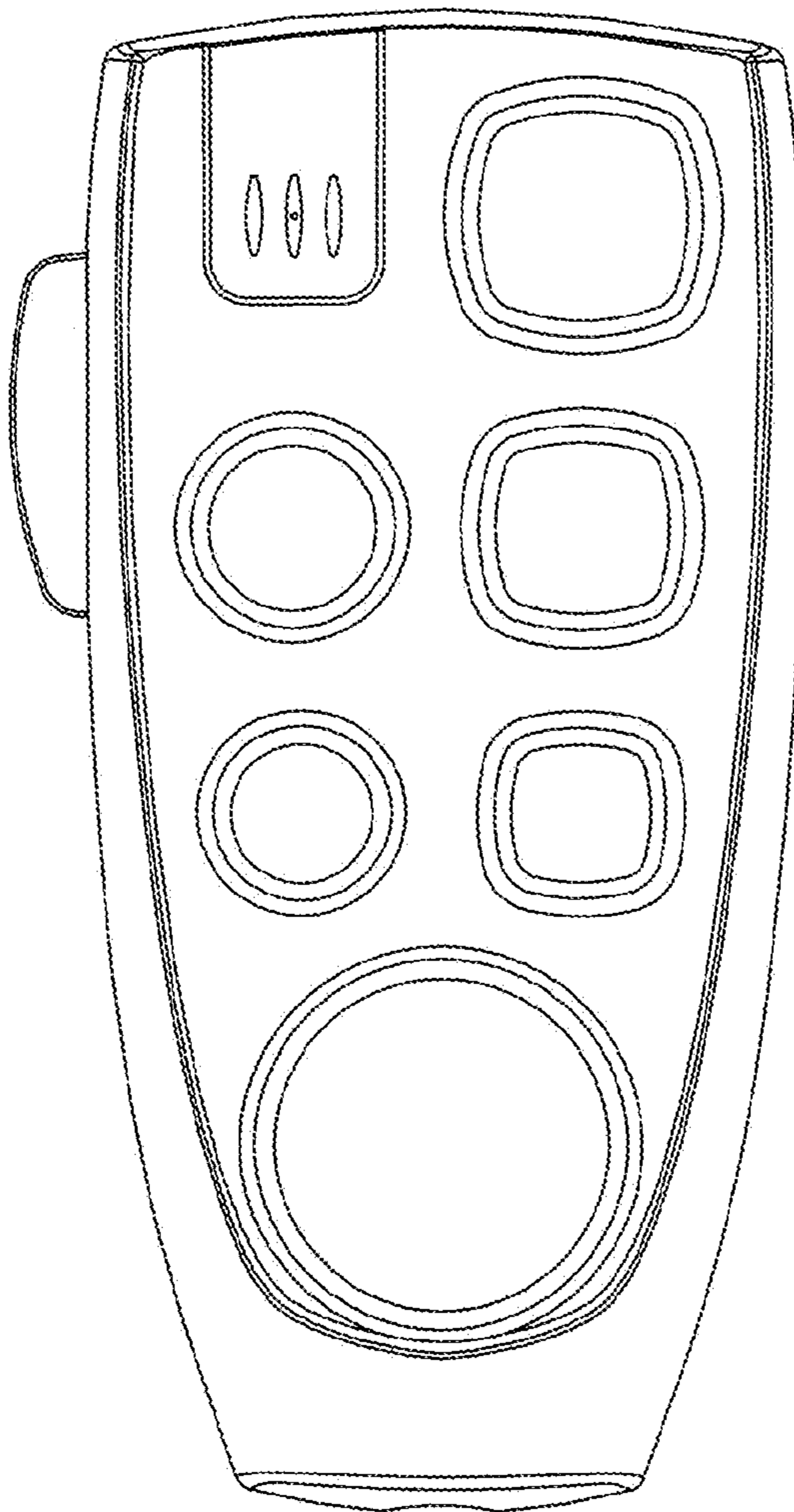


Fig. 3

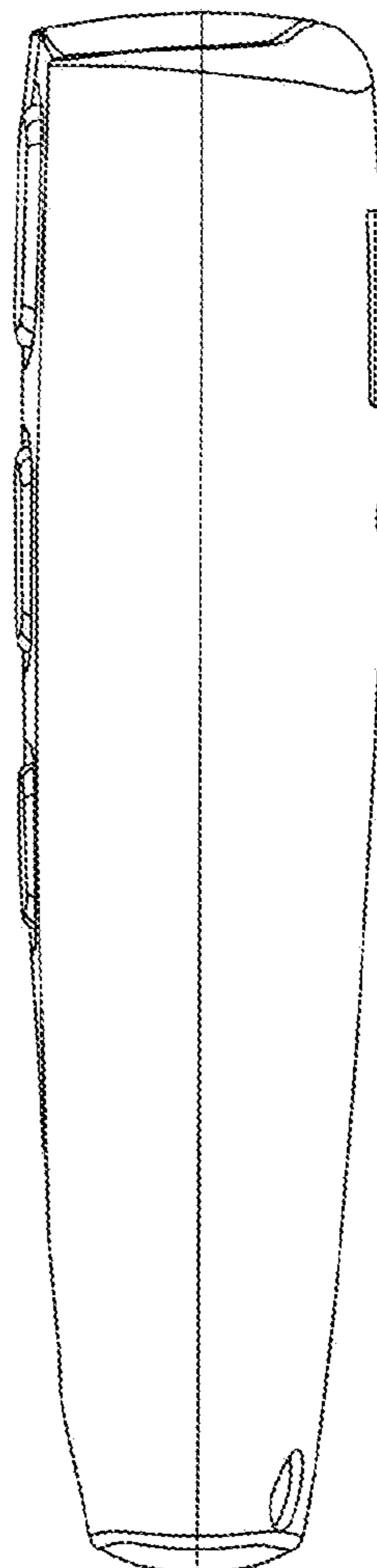


Fig. 4

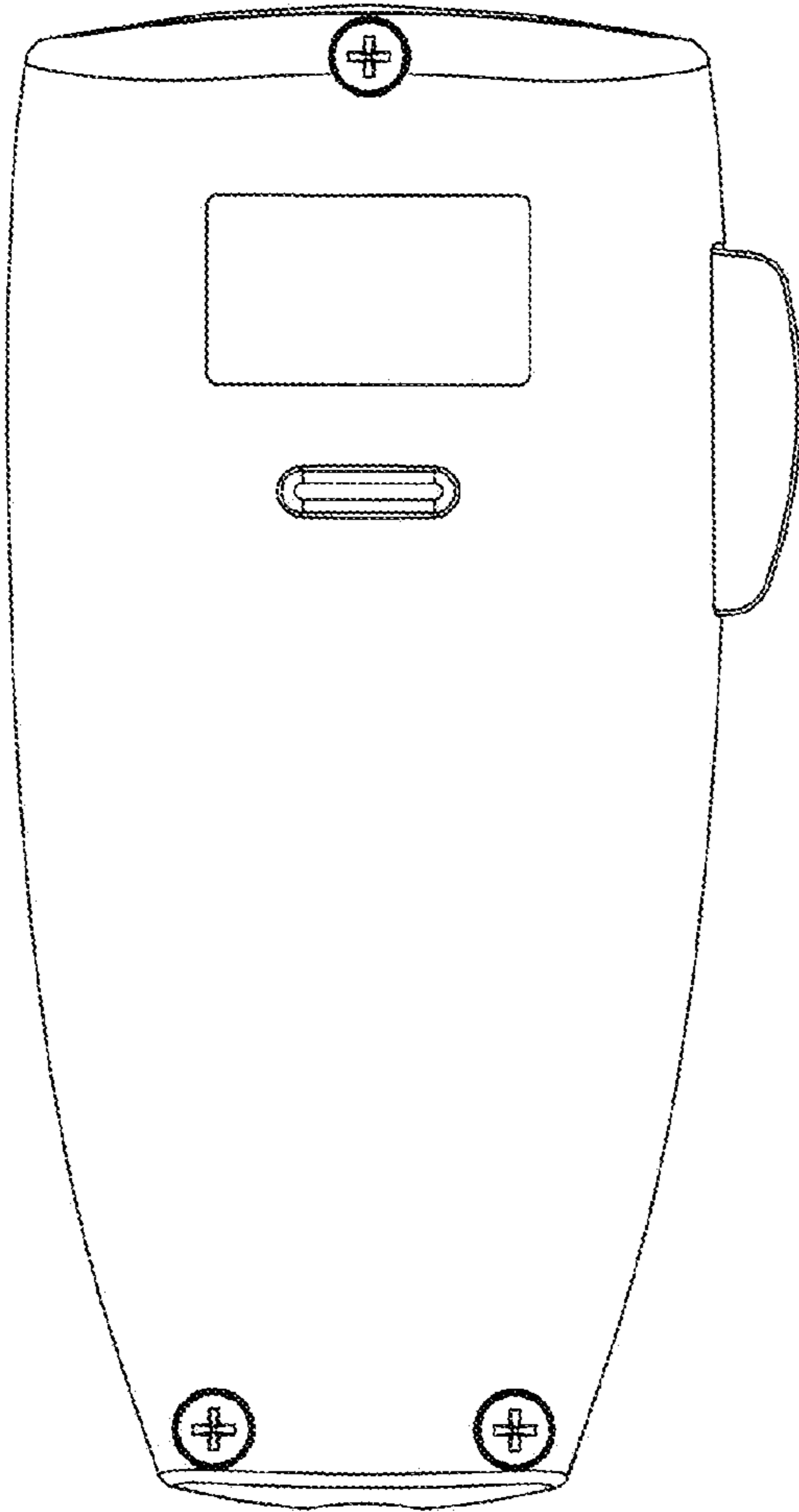


Fig. 5

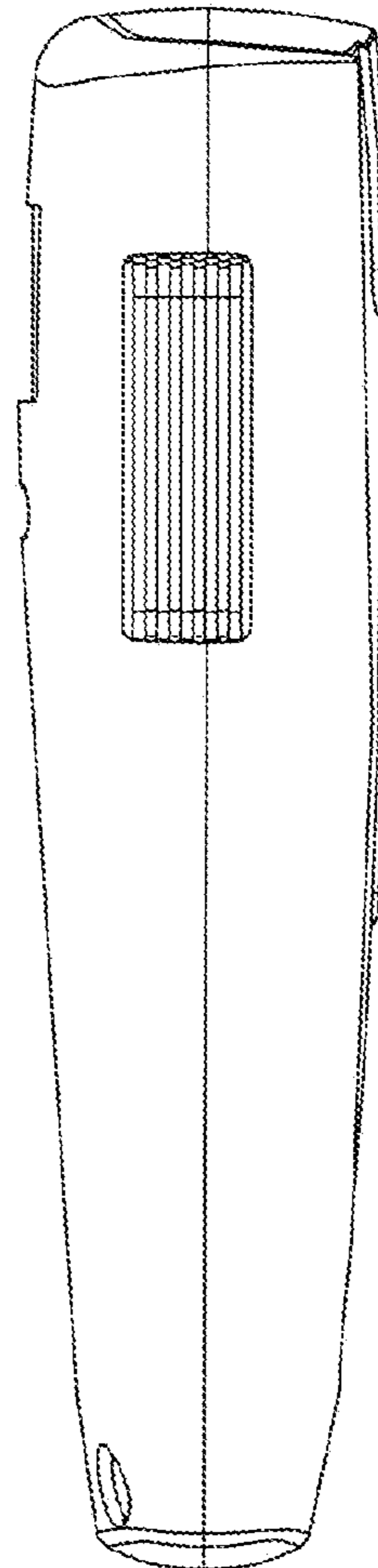


Fig. 6

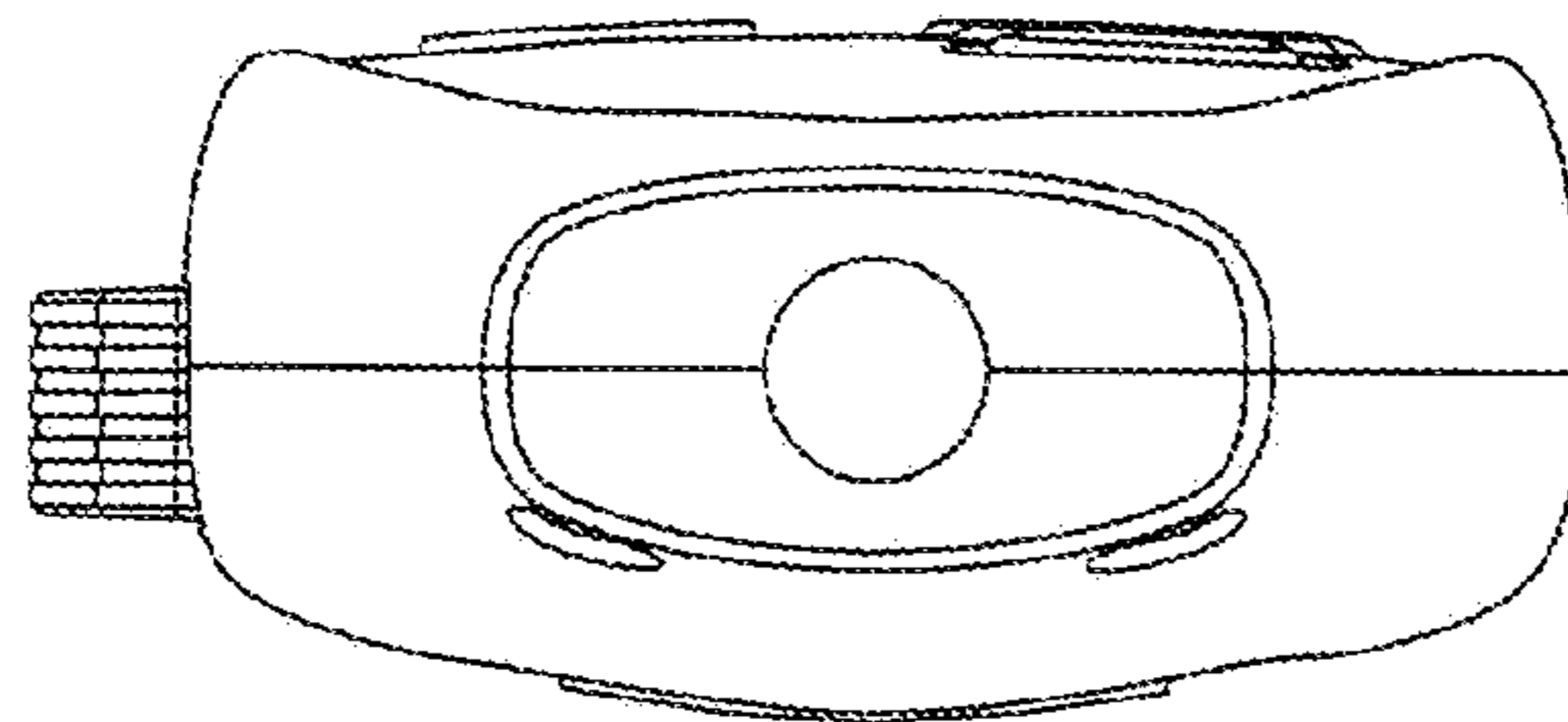


Fig. 7