



US00D576957S

(12) **United States Design Patent**  
**Shiga et al.**

(10) **Patent No.:** **US D576,957 S**

(45) **Date of Patent:** **\*\* Sep. 16, 2008**

(54) **ELECTRICAL CONNECTOR**

(75) Inventors: **Katsumi Shiga**, Chiba (JP); **Yoshihito Fujiwara**, Tokyo (JP)

(73) Assignee: **Tyco Electronics AMP K.K.**, Kanagawa-ken (JP)

(\*\*) Term: **14 Years**

(21) Appl. No.: **29/281,076**

(22) Filed: **Jun. 14, 2007**

(30) **Foreign Application Priority Data**

Dec. 18, 2006 (JP) ..... 2006-034654

(51) **LOC (8) Cl.** ..... **13-03**

(52) **U.S. Cl.** ..... **D13/156**

(58) **Field of Classification Search** ..... D13/133,  
D13/154, 156, 138.1, 184; 439/447, 483,  
439/586, 578, 606-610, 668-669, 675-676,  
439/889, 892

See application file for complete search history.

(56) **References Cited**

**U.S. PATENT DOCUMENTS**

6,283,794 B1	9/2001	Osuga	
D514,524 S *	2/2006	Suckle	D13/156
D519,933 S *	5/2006	Suckle et al.	D13/155
D537,784 S *	3/2007	Suckle et al.	D13/138.1
D558,145 S *	12/2007	Stavoe et al.	D13/154
D559,193 S *	1/2008	Stavoe et al.	D13/154

2006/0084314 A1 4/2006 Takizawa

**FOREIGN PATENT DOCUMENTS**

JP	1043104	4/1999
JP	2004193079 A	7/2004
JP	200550685 A	2/2005
JP	2006196427 A	7/2006

\* cited by examiner

*Primary Examiner*—Brian N Vinson

(74) *Attorney, Agent, or Firm*—Barley Snyder LLC

(57) **CLAIM**

The ornamental design for an electrical connector, as shown and described.

**DESCRIPTION**

FIG. 1 is a front elevation view of an electrical connector showing our new design;

FIG. 2 is a top plan view thereof;

FIG. 3 is a bottom plan view thereof;

FIG. 4 is a right side elevation view thereof;

FIG. 5 is a left side elevation view thereof;

FIG. 6 is a rear elevation view thereof

FIG. 7 is a bottom, front, and left side perspective view thereof; and,

FIG. 8 is a top, rear, and right side perspective view thereof.

The broken-line disclosure in the views is understood to be for illustrative purposes only and form no part of the claimed design.

**1 Claim, 8 Drawing Sheets**

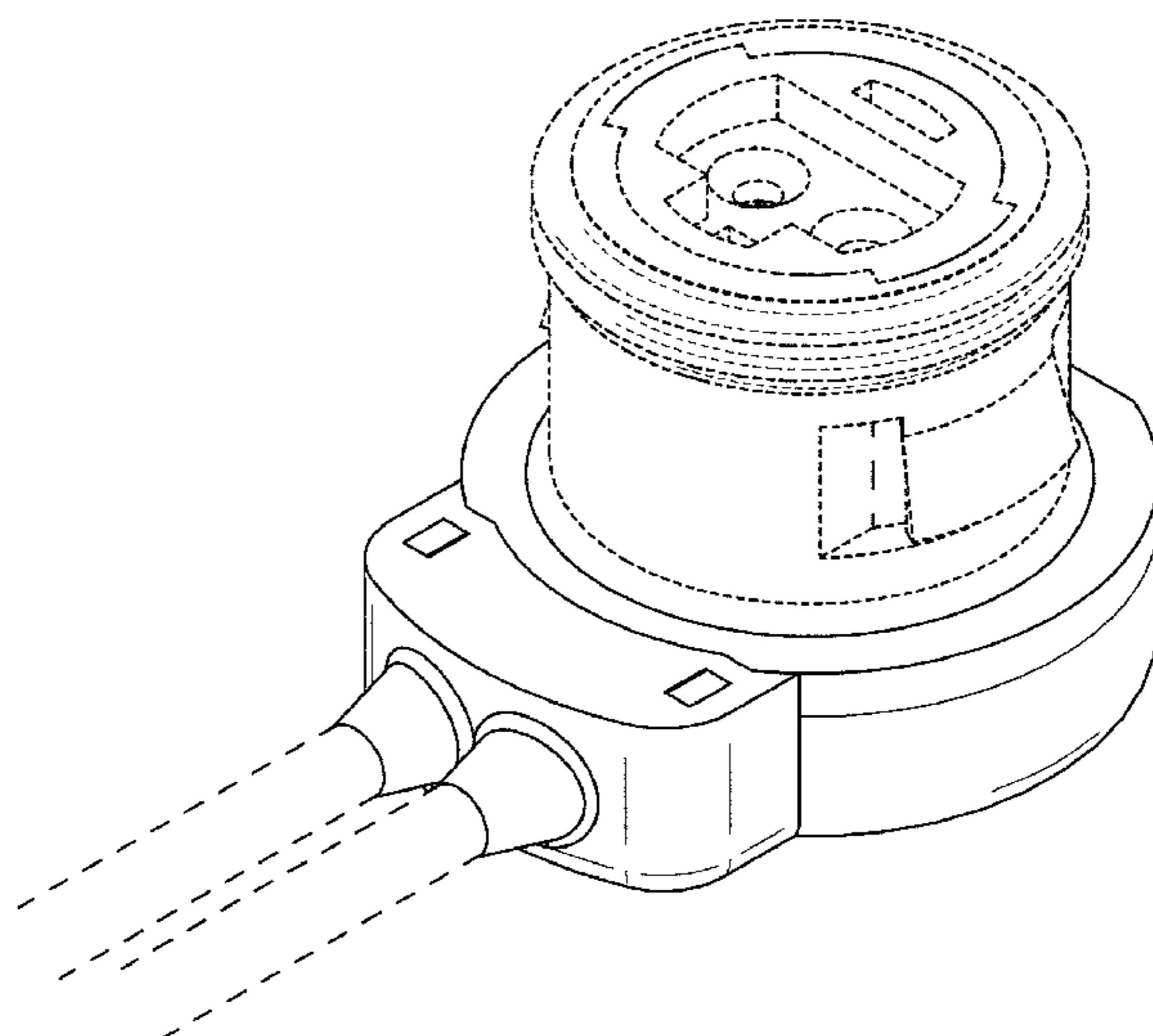
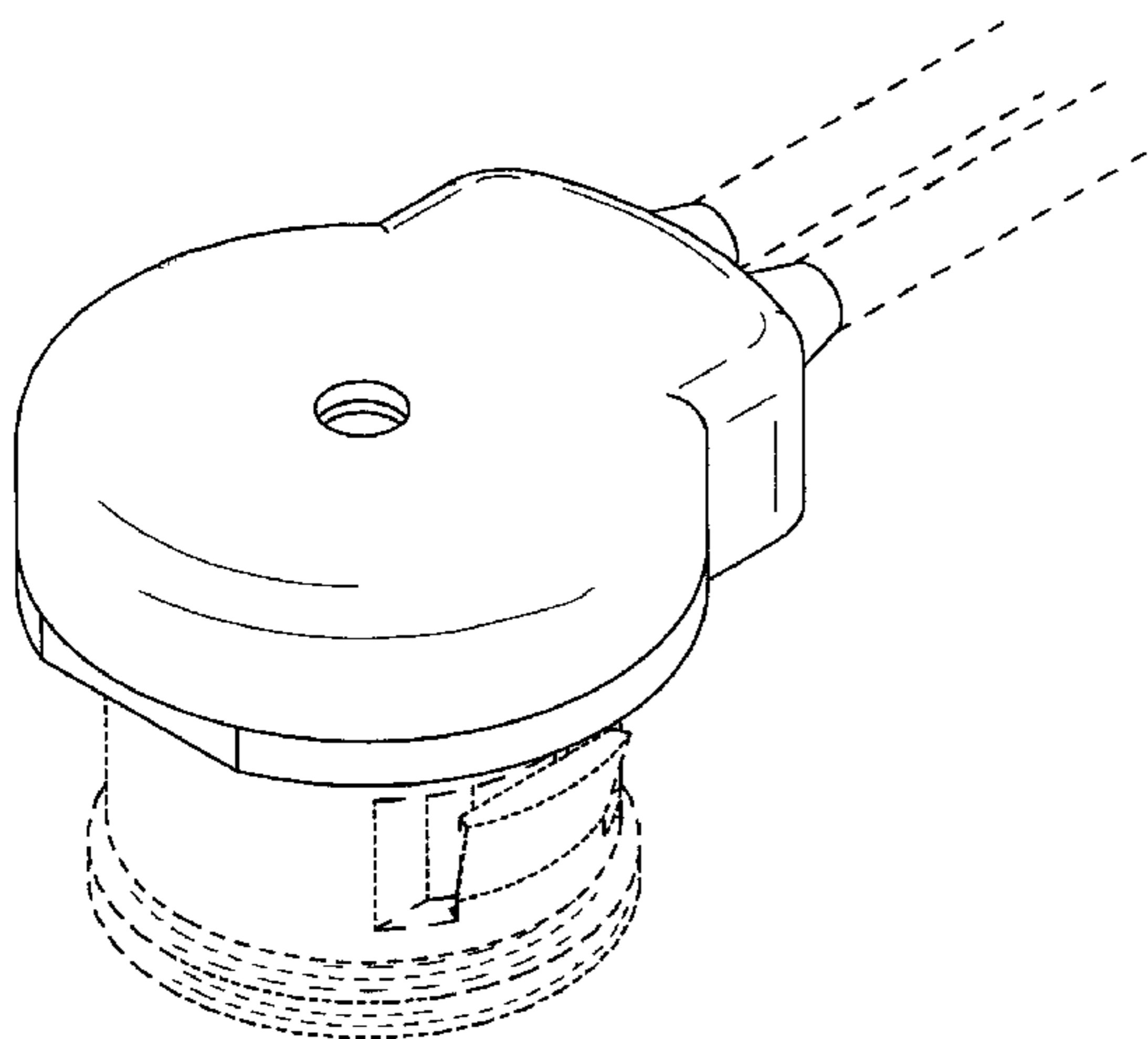


Fig.1

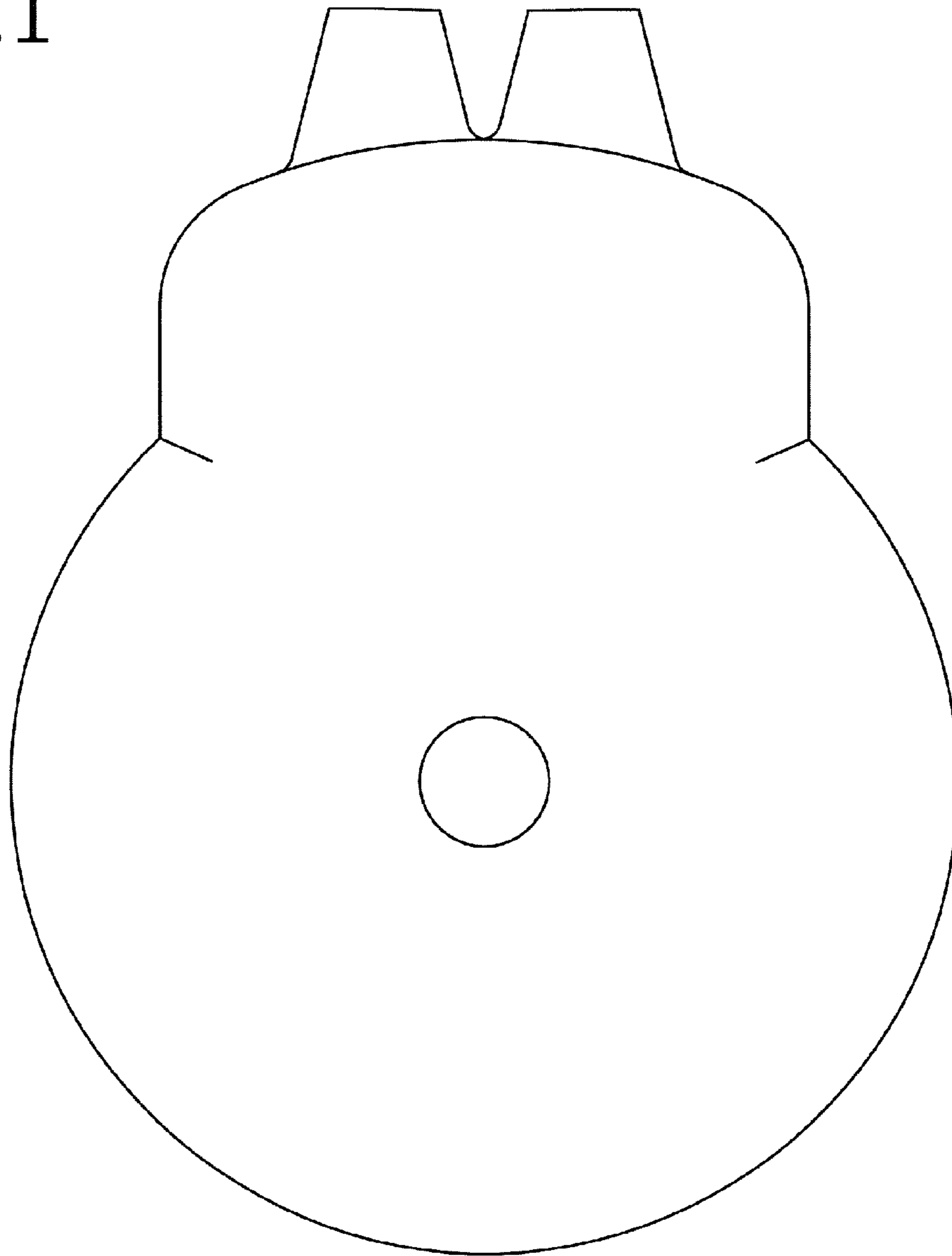


Fig.2

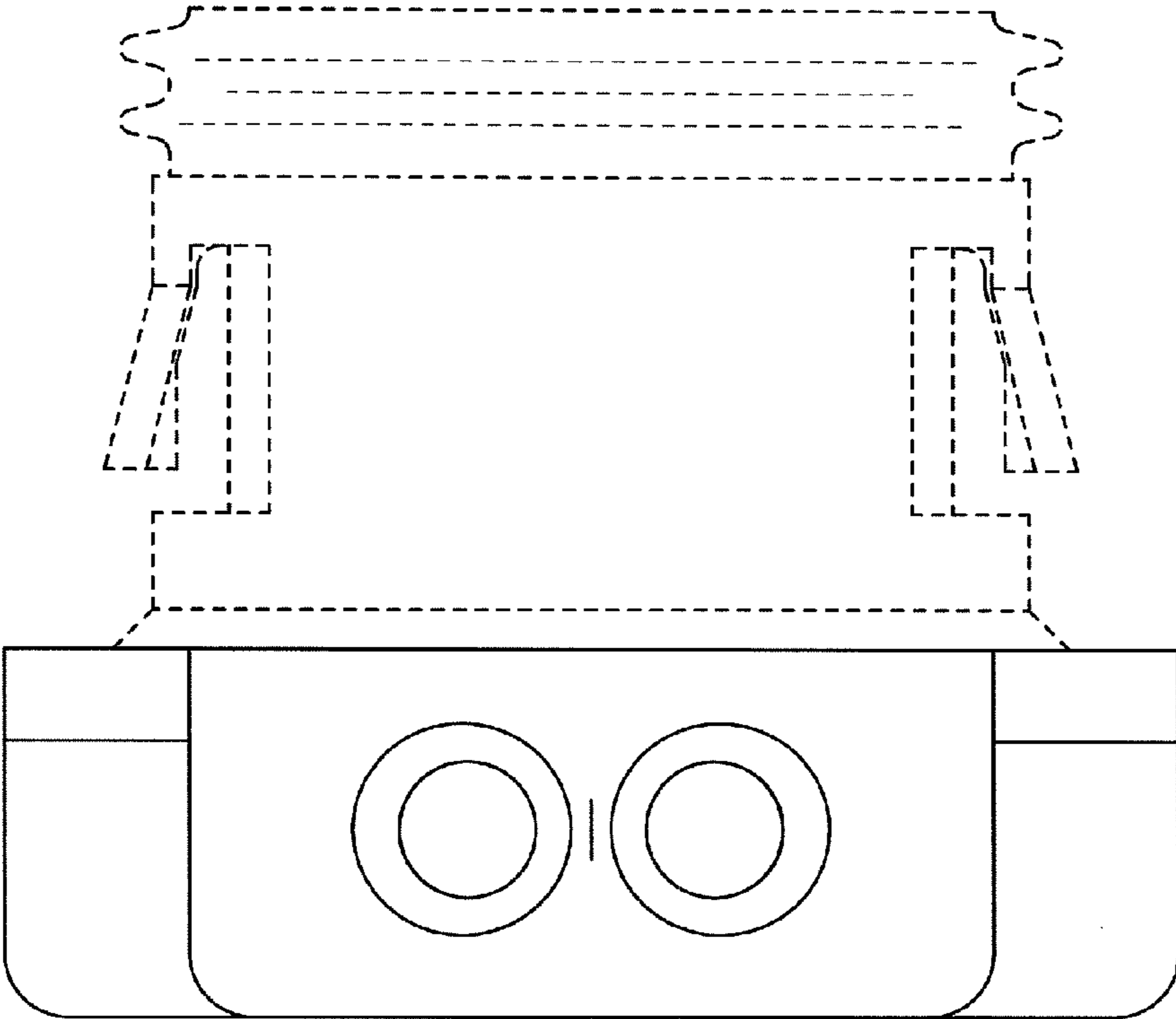


Fig.3

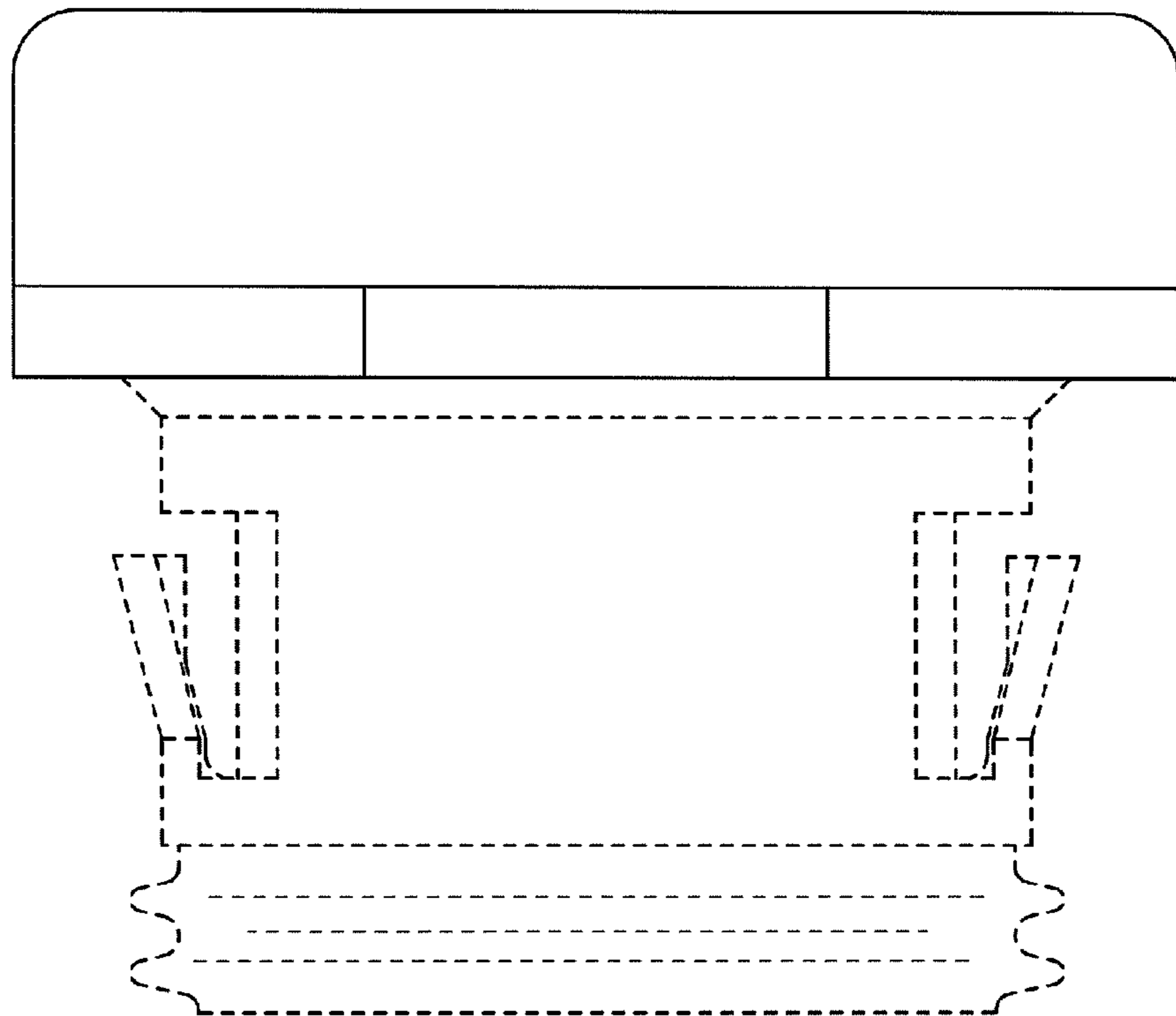


Fig.4

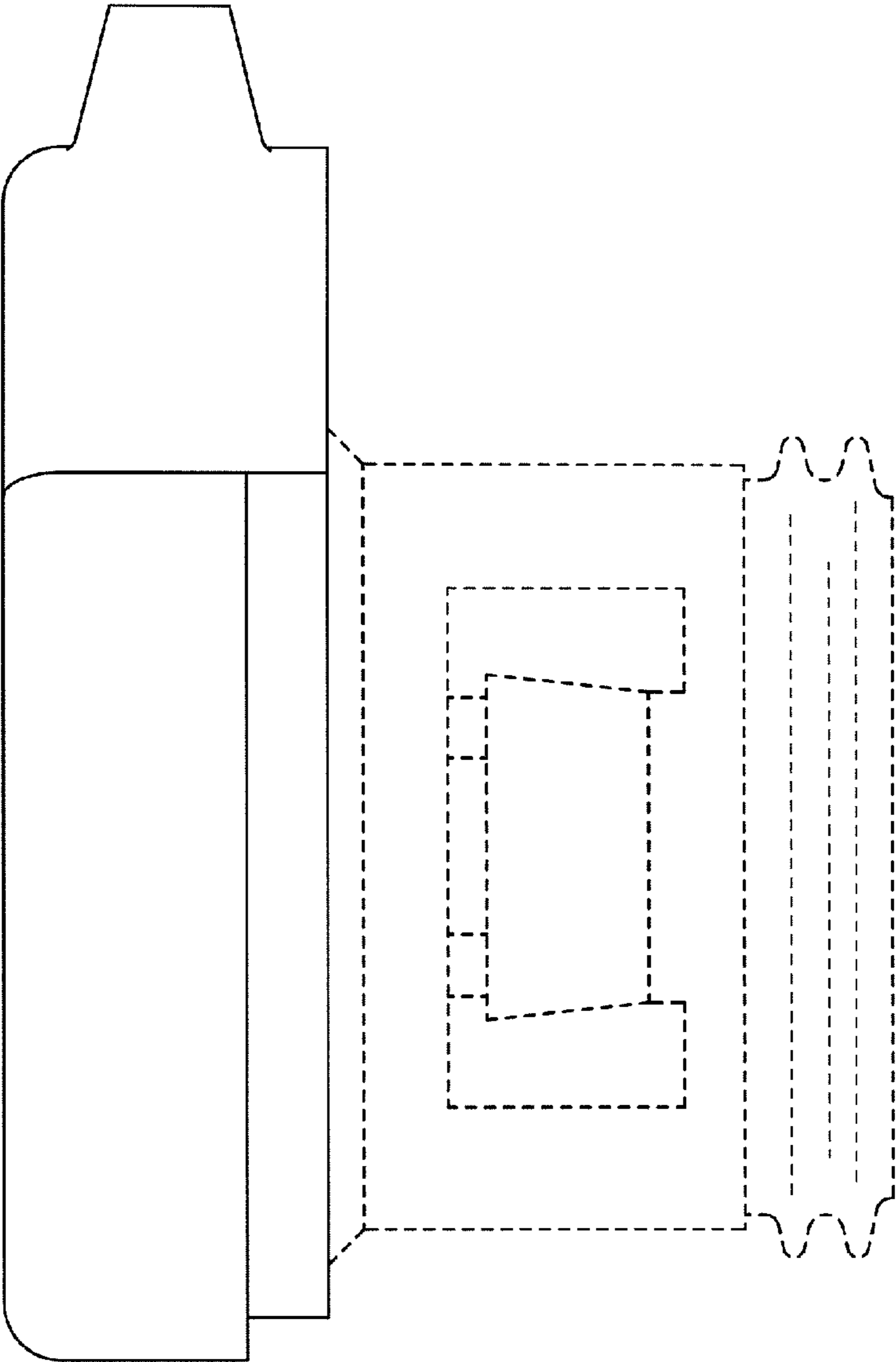


Fig.5

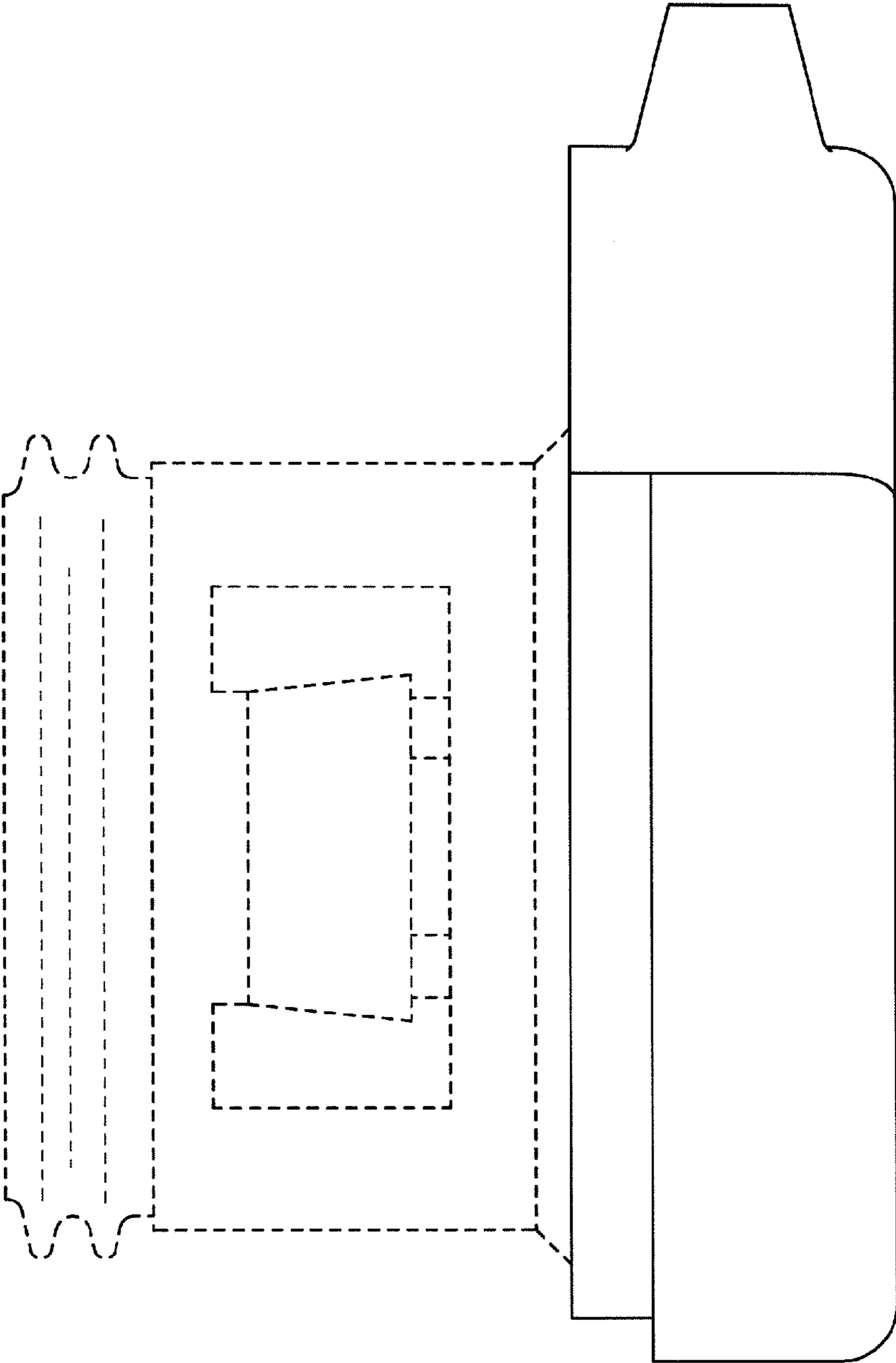


Fig.6

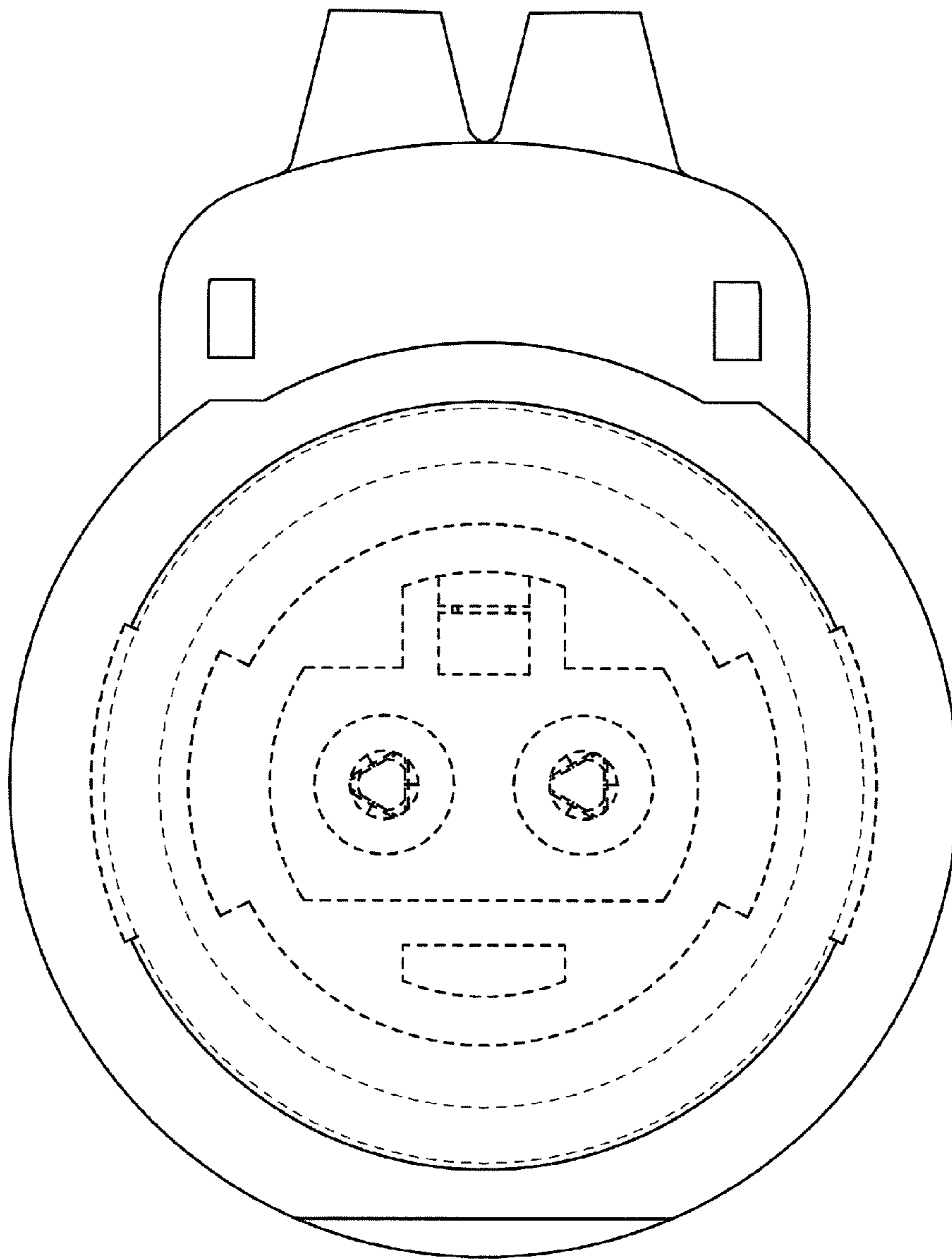


Fig.7

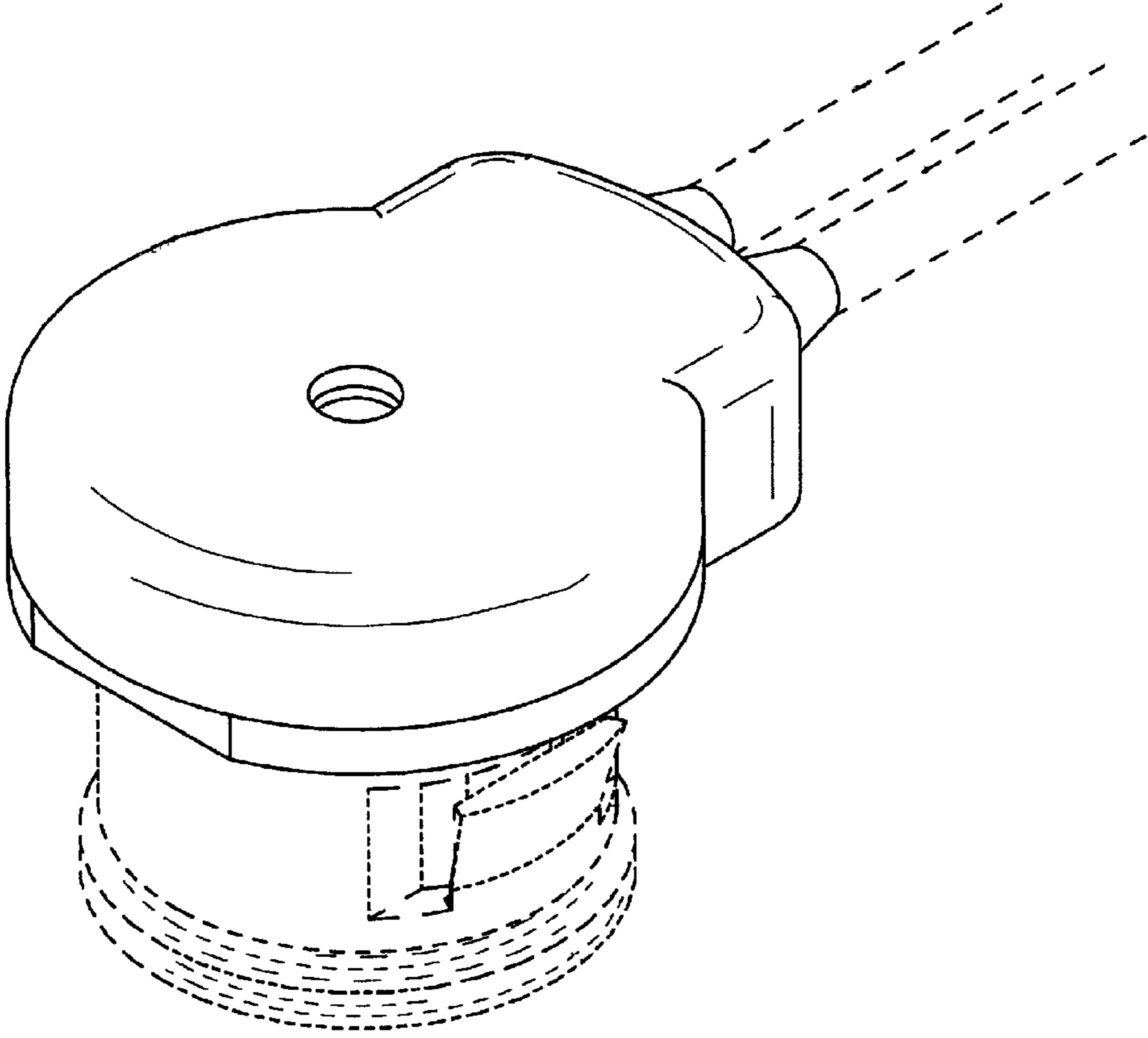




Fig.8

