



US00D576955S

(12) **United States Design Patent**
Licciardi di Stefano

(10) **Patent No.:** **US D576,955 S**

(45) **Date of Patent:** **** Sep. 16, 2008**

(54) **CONNECTOR**

2007/0082552 A1* 4/2007 Feldner 439/607

(76) Inventor: **Carmelo Joseph Licciardi di Stefano**,
110 Northcorp Blvd., Broadmeadows,
Victoria 3047 (AU)

* cited by examiner

Primary Examiner—Daniel D Bui

Assistant Examiner—Thomas J Johannes

(74) *Attorney, Agent, or Firm*—Dickstein Shapiro LLP

(**) Term: **14 Years**

(21) Appl. No.: **29/290,301**

(57) **CLAIM**

(22) Filed: **Nov. 16, 2007**

The ornamental design for a connector, as shown and described.

(30) **Foreign Application Priority Data**

May 28, 2007 (AU) 18113/2007

DESCRIPTION

(51) **LOC (8) Cl.** **13-03**

FIG. 1 is a top view of a connector.

(52) **U.S. Cl.** **D13/151**

FIG. 2 is a bottom view of a connector.

(58) **Field of Classification Search** D13/133,

FIG. 3 is a right side view of a connector.

D13/146, 147, 151, 154, 184, 199; 439/314–322,
439/680, 752

FIG. 4 is a left side view of a connector.

See application file for complete search history.

FIG. 5 is a front view of a connector shown in an enlarged scale.

(56) **References Cited**

FIG. 6 is a rear view of a connector shown in an enlarged scale.

U.S. PATENT DOCUMENTS

FIG. 7 is a first perspective view of a connector.

FIG. 8 is a second perspective view of a connector.

D259,636 S * 6/1981 Coppell D13/151

FIG. 9 is a third perspective view of a connector; and,

5,667,409 A * 9/1997 Wong et al. 439/654

FIG. 10 is a fourth perspective view of a connector.

D461,173 S * 8/2002 Nimberger et al. D13/199

D469,742 S * 2/2003 Michon et al. D13/151

D490,059 S * 5/2004 Conway et al. D13/146

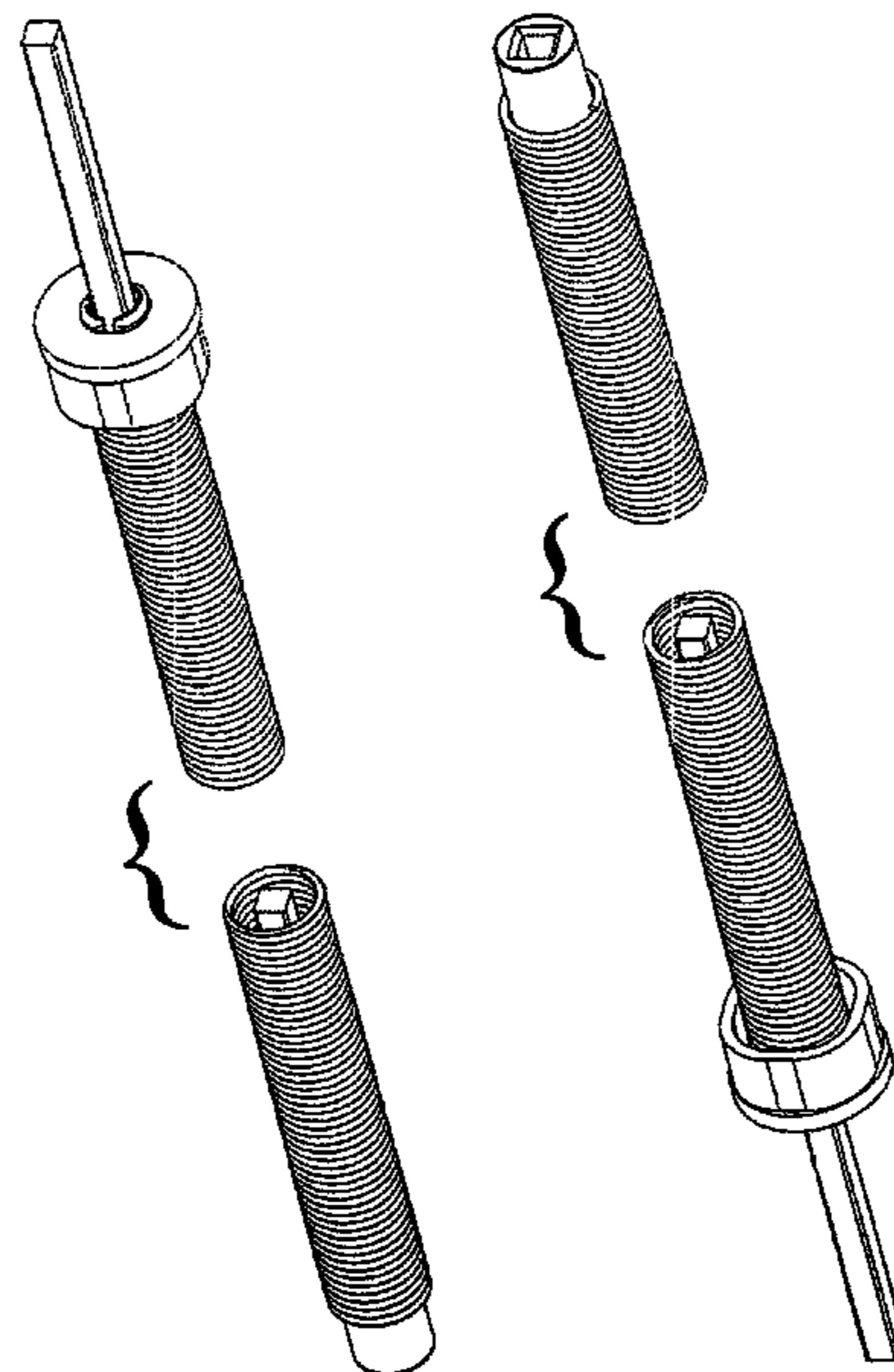
6,913,478 B2 * 7/2005 Lamirey 439/259

7,234,977 B2 * 6/2007 Westlund et al. 439/736

2002/0109996 A1 * 8/2002 Fan Wong 362/427

A Connector is shown broken away in FIGS. 1 through—4 and 7 through 10 of the drawings to indicate indeterminate length, it being understood that it has a uniform shape and appearance through out its length.

1 Claim, 10 Drawing Sheets



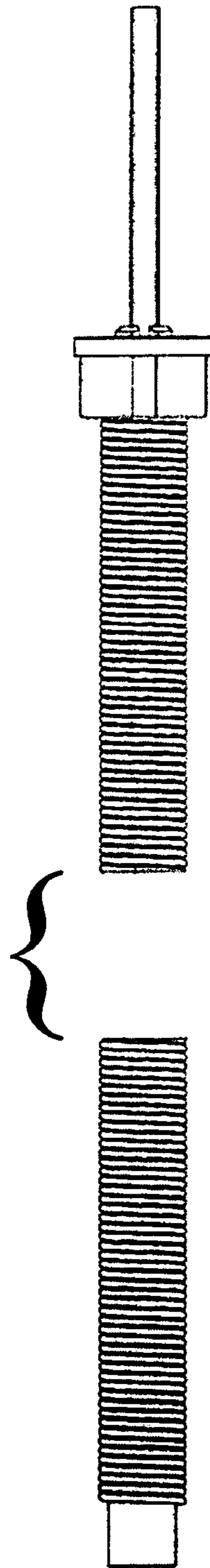


FIG. 1

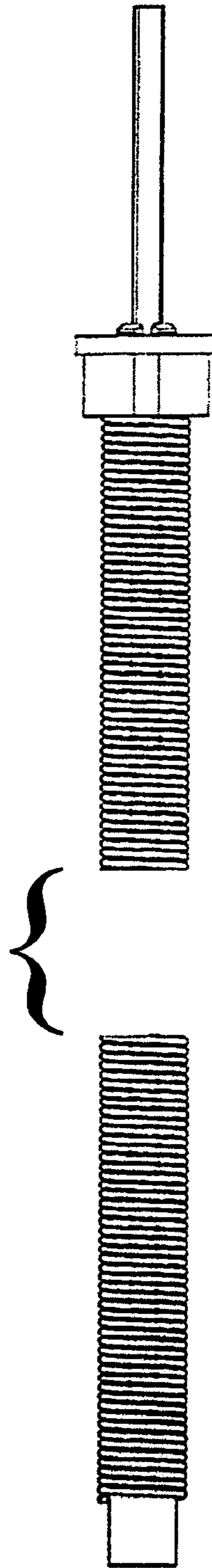


FIG. 2

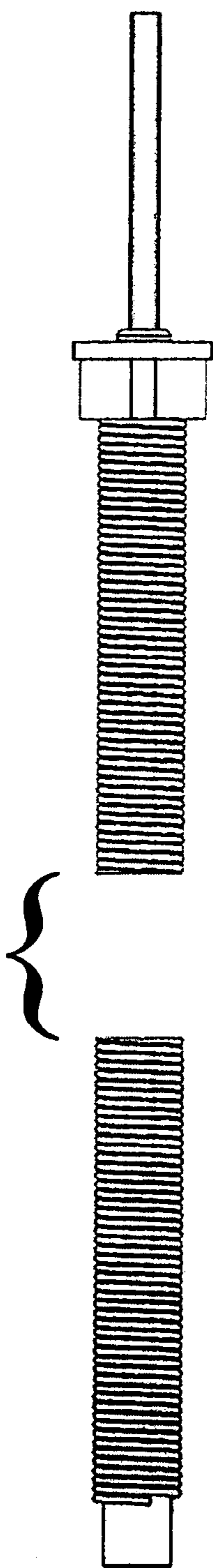


FIG. 3

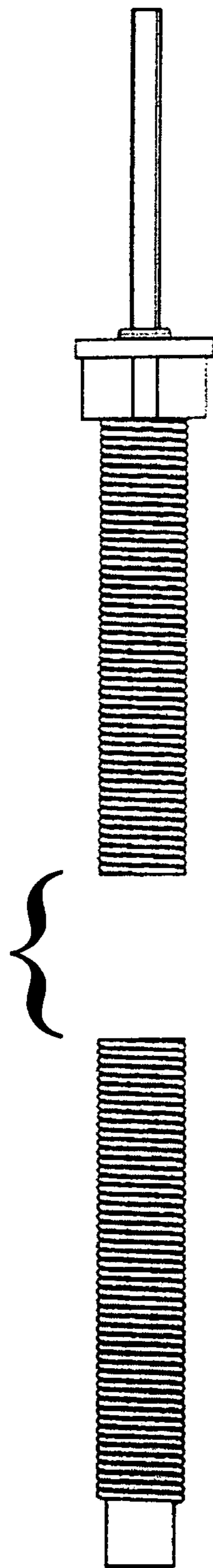


FIG. 4

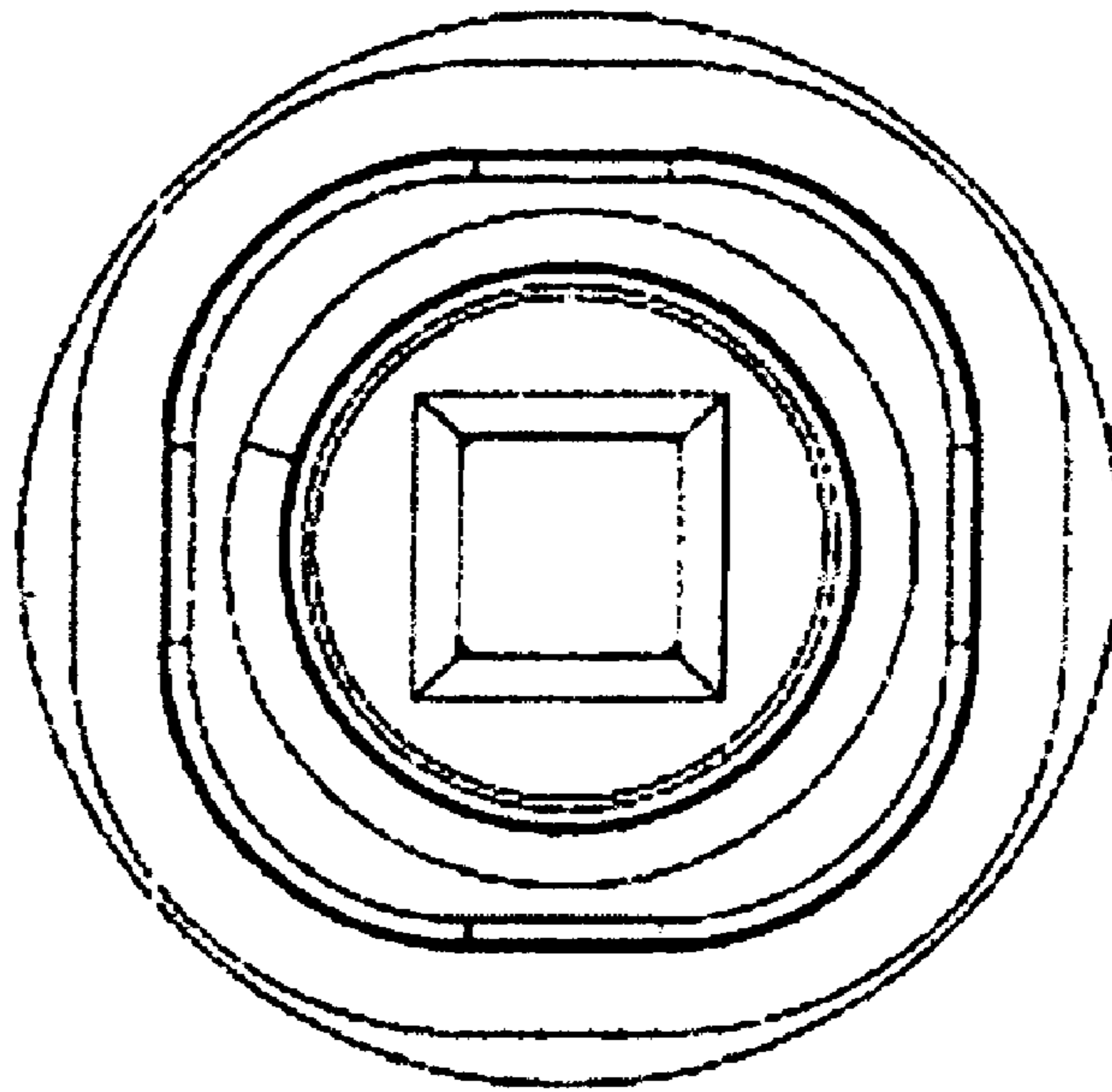


FIG. 5

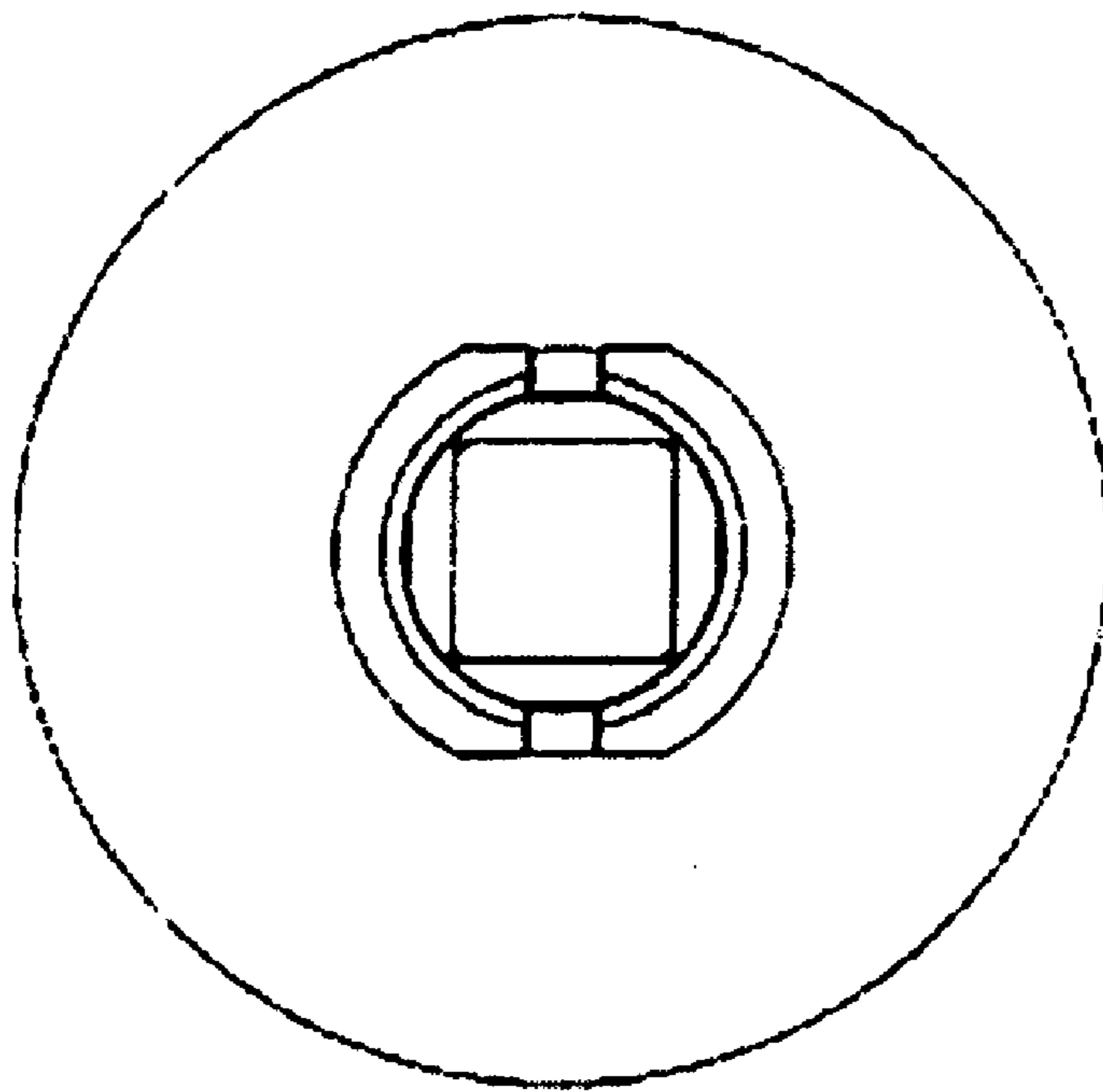


FIG. 6

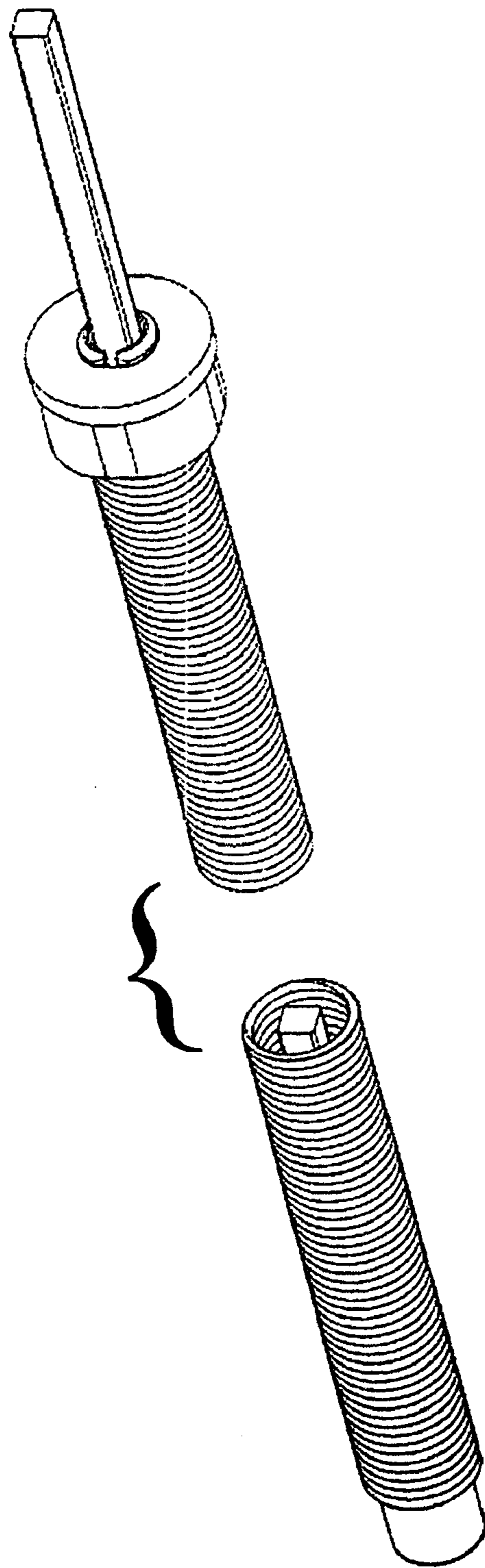


FIG. 7

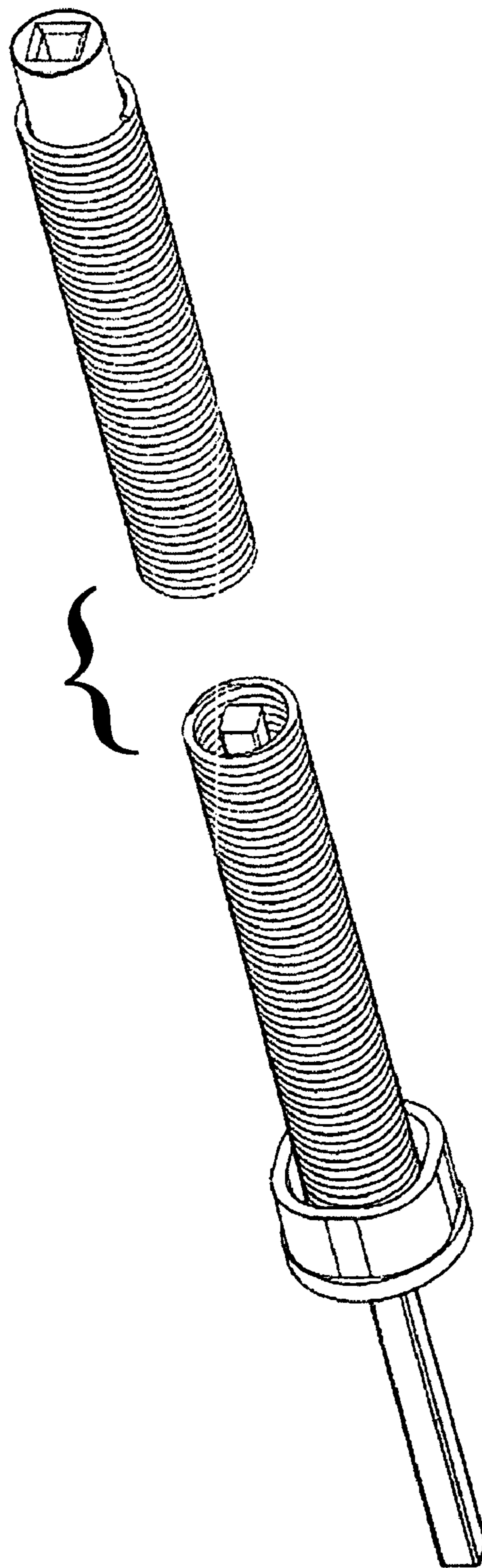


FIG. 8

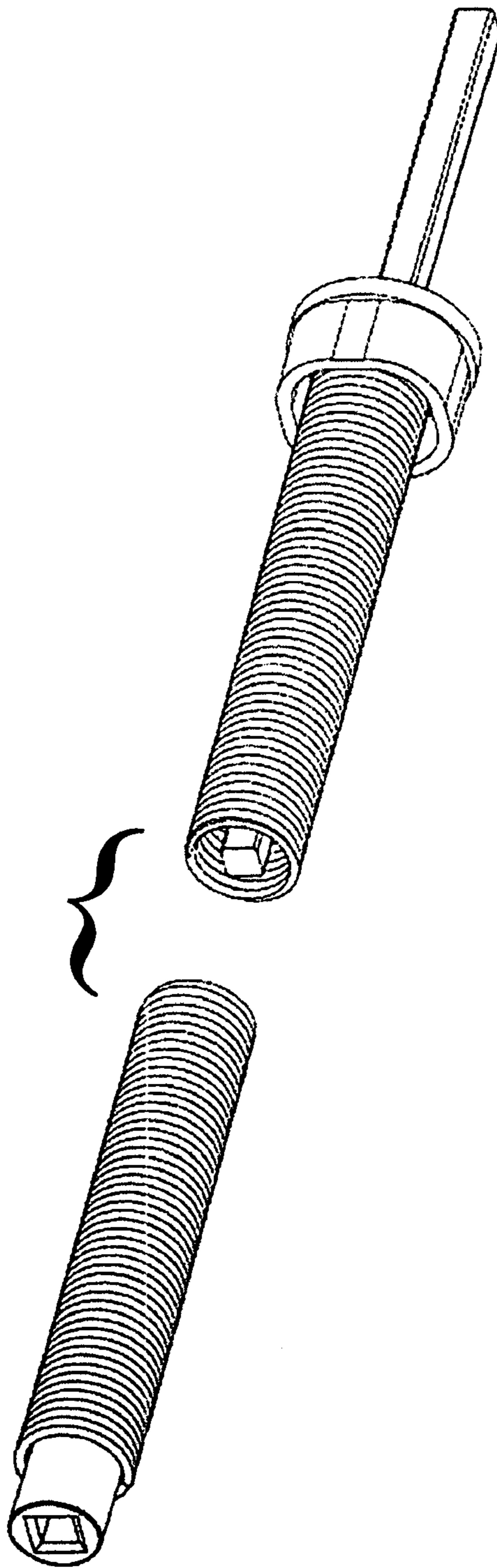


FIG. 9

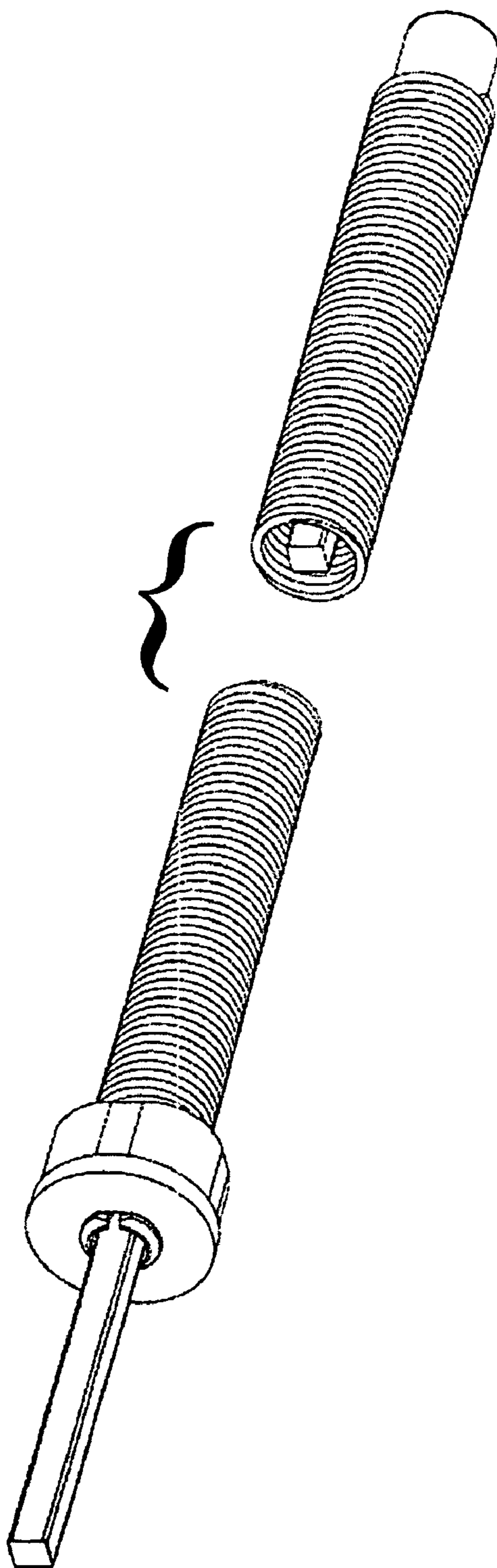


FIG. 10