



US00D576949S

(12) **United States Design Patent**
Shen et al.

(10) **Patent No.:** **US D576,949 S**
(45) **Date of Patent:** **** Sep. 16, 2008**

(54) **CHARGER CONNECTOR**

(75) Inventors: **Li Li Shen**, Tu-Cheng (TW); **Hong Tu Zhang**, Tu-Cheng (TW)

(73) Assignee: **Cheng Uei Precision Industry Co., Ltd.**, Taipei Hsien (TW)

(**) Term: **14 Years**

(21) Appl. No.: **29/287,364**

(22) Filed: **Jul. 30, 2007**

(51) **LOC (8) Cl.** **13-03**

(52) **U.S. Cl.** **D13/133**

(58) **Field of Classification Search** D13/133,
D13/146, 147, 154, 184, 199; 439/108, 352,
439/354, 357, 358, 374, 567, 607, 608, 609,
439/610, 656, 676, 680

See application file for complete search history.

(56) **References Cited**

U.S. PATENT DOCUMENTS

D196,111 S *	8/1963	Krehbiel	D13/147
D310,993 S *	10/1990	Ohkura et al.	D13/146
D317,148 S *	5/1991	Kozono et al.	D13/146
5,141,452 A *	8/1992	Yoneda et al.	439/595
D405,053 S *	2/1999	Tan et al.	D13/147
D413,101 S *	8/1999	Avery et al.	D13/147
D425,869 S *	5/2000	Yokomizo et al.	D13/147
6,607,308 B2 *	8/2003	Dair et al.	385/92

D479,199 S *	9/2003	Jones et al.	D13/147
D529,444 S *	10/2006	Kudo	D13/147
D531,960 S *	11/2006	Kondas	D13/147

* cited by examiner

Primary Examiner—Daniel D Bui

(74) *Attorney, Agent, or Firm*—Rosenberg, Klein & Lee

(57) **CLAIM**

The ornamental design for a charger connector, as shown and described.

DESCRIPTION

FIG. 1 is a perspective view of a charger connector showing our new design;

FIG. 2 is a front elevational view thereof;

FIG. 3 is a rear elevational view thereof;

FIG. 4 is a left side elevational view thereof;

FIG. 5 is a right side elevational view thereof;

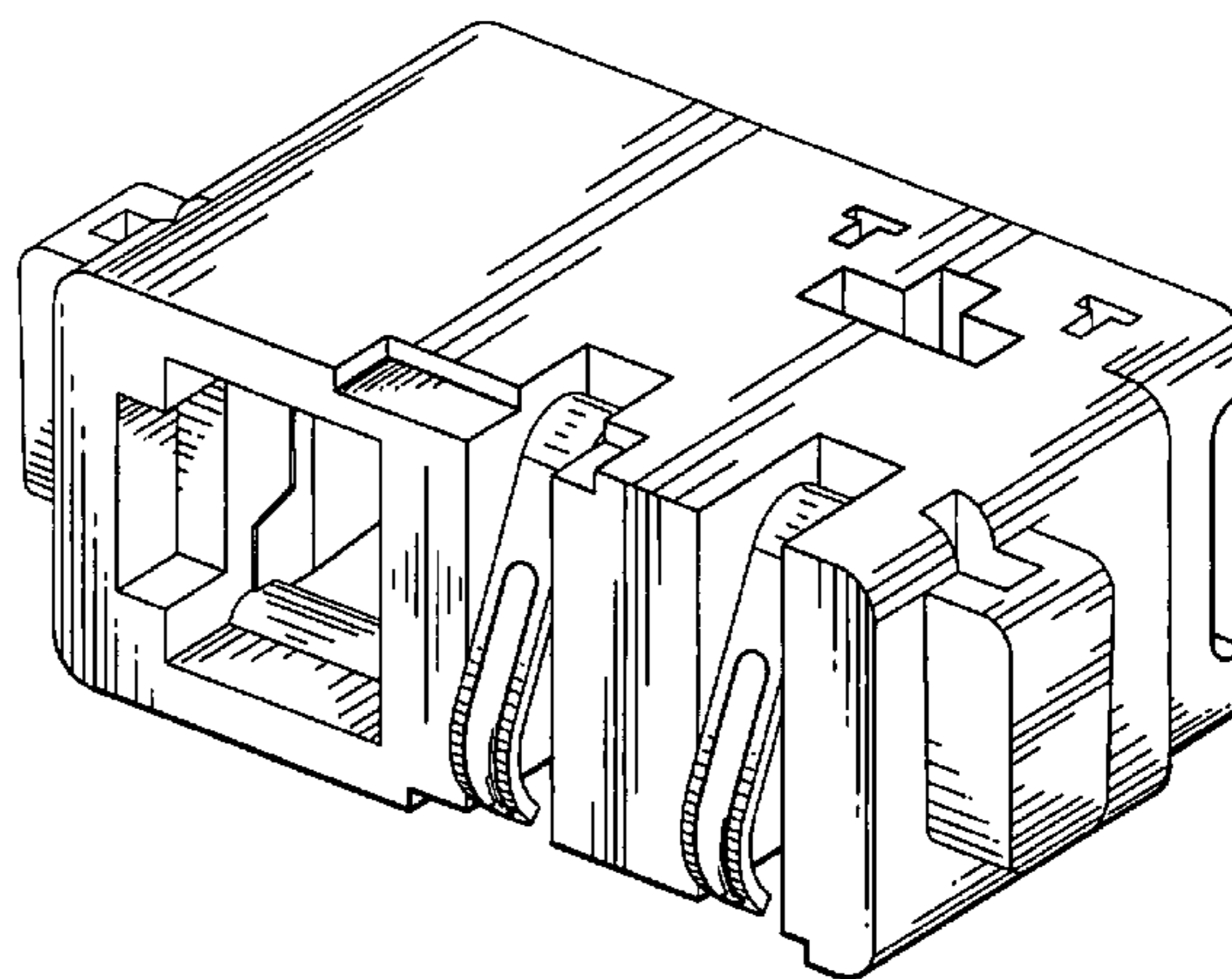
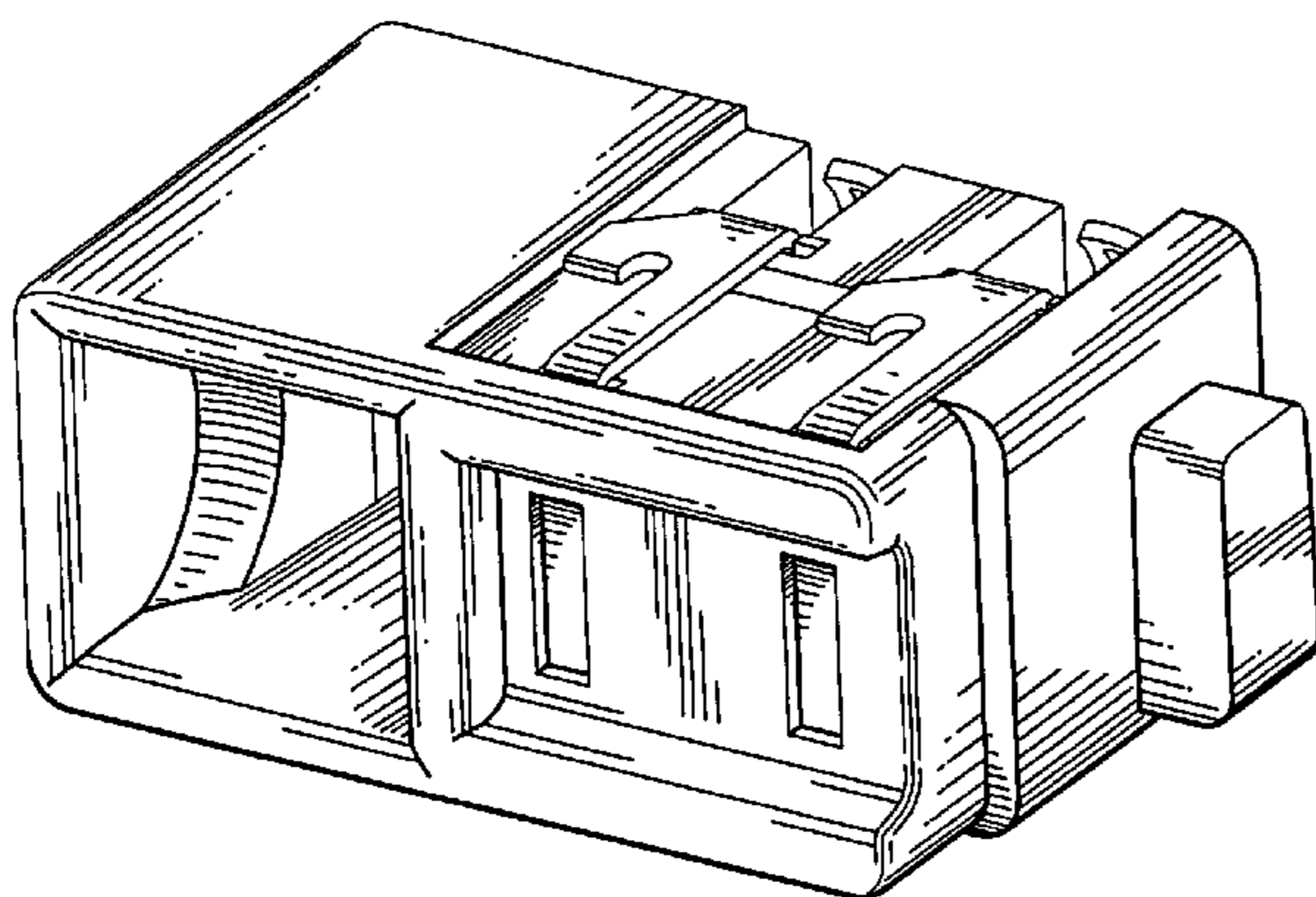
FIG. 6 is a top plan view thereof;

FIG. 7 is a bottom plan view thereof; and,

FIG. 8 is another perspective view of the charger connector showing our new design.

The broken line of the internal elements of the connector in FIGS. 3, 6, and 7 is included to show unclaimed subject matter only and forms no part of the claimed design.

1 Claim, 8 Drawing Sheets



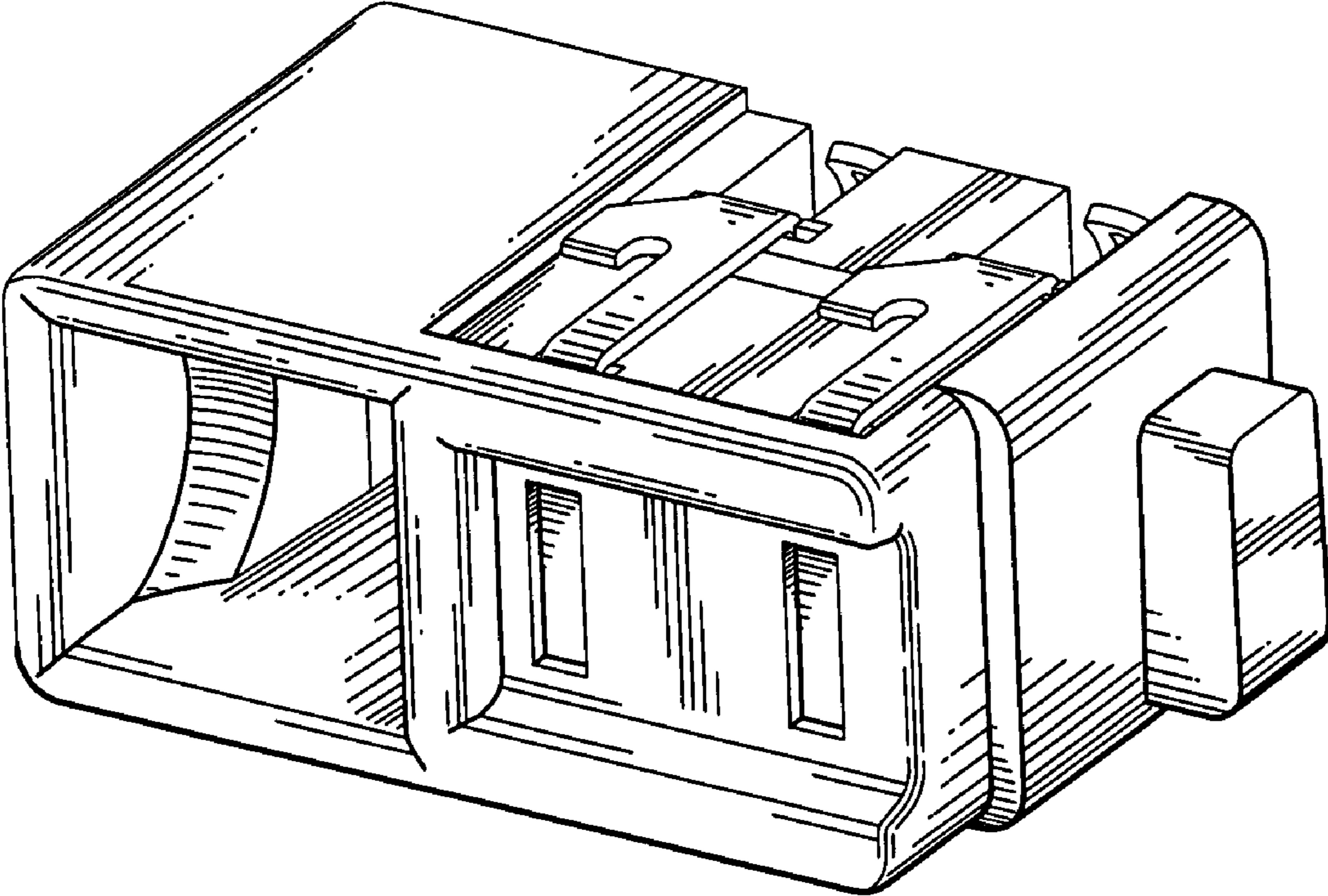


FIG. 1

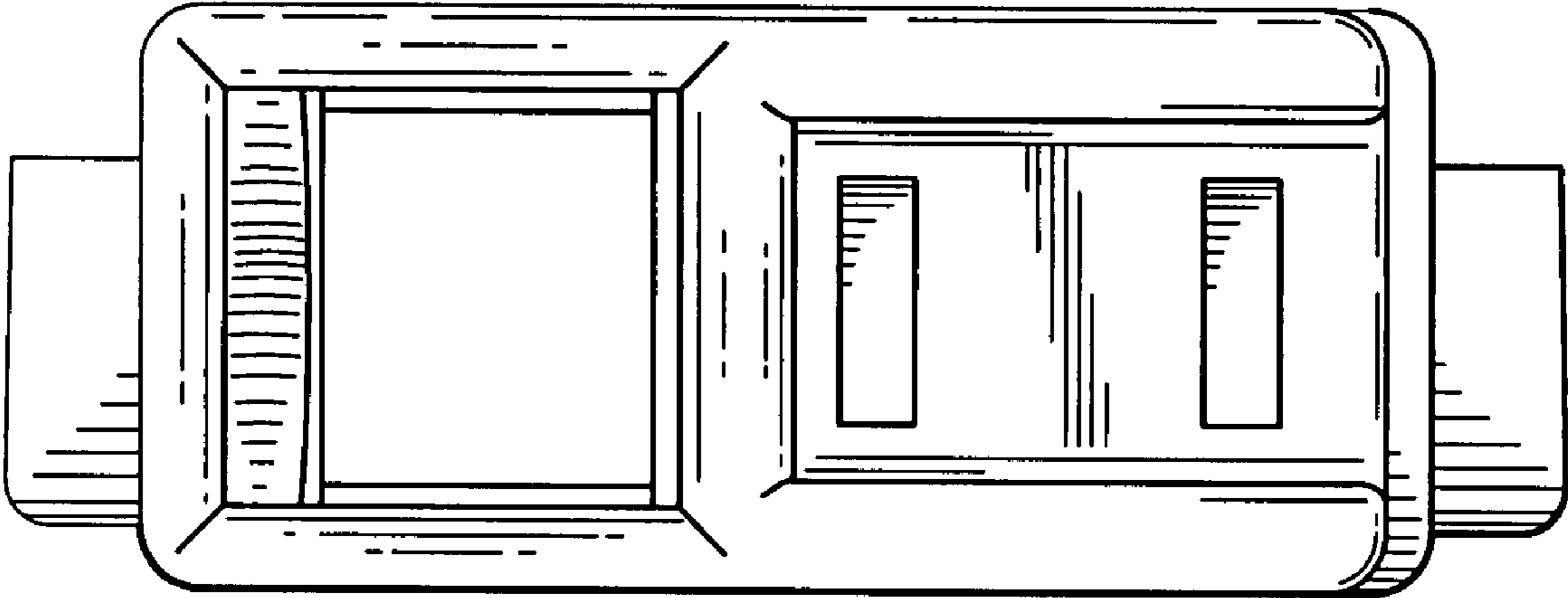


FIG. 2

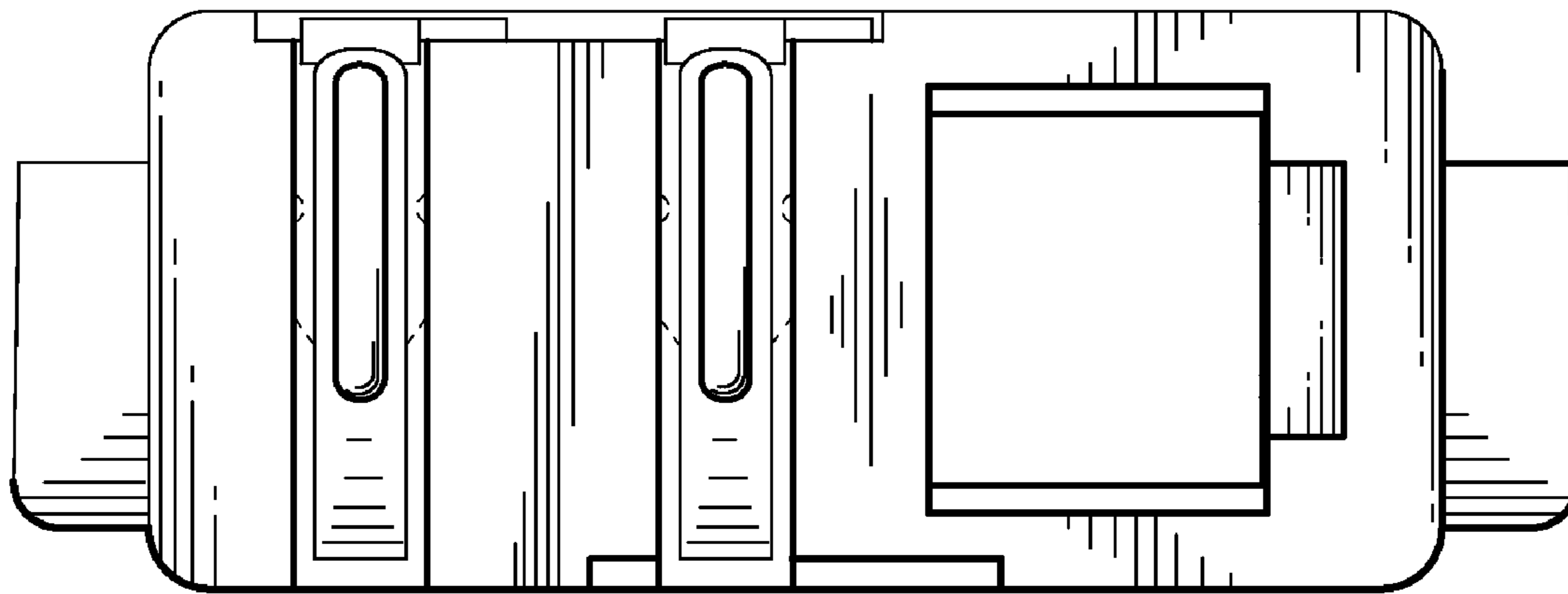


FIG. 3

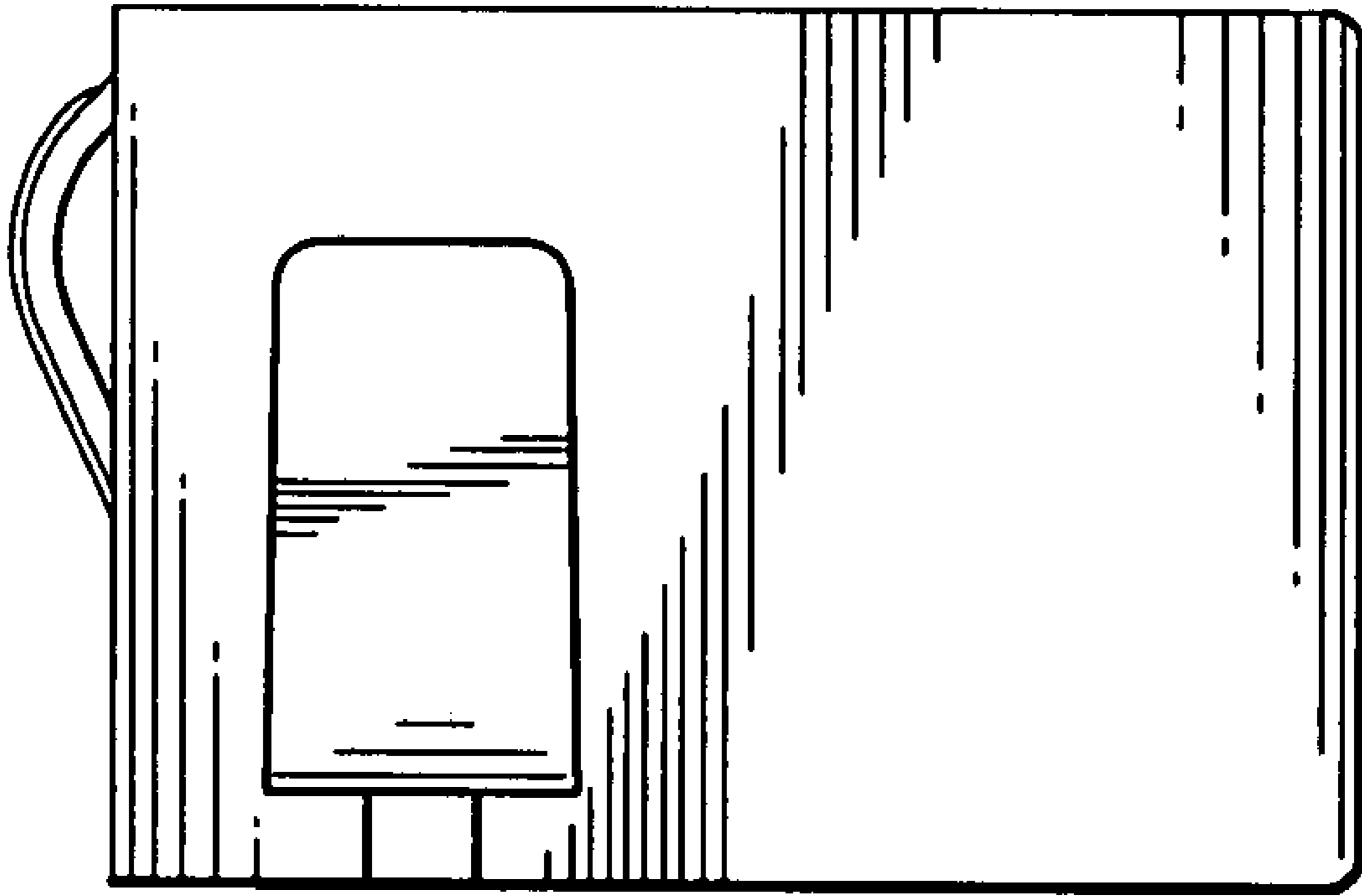


FIG. 4

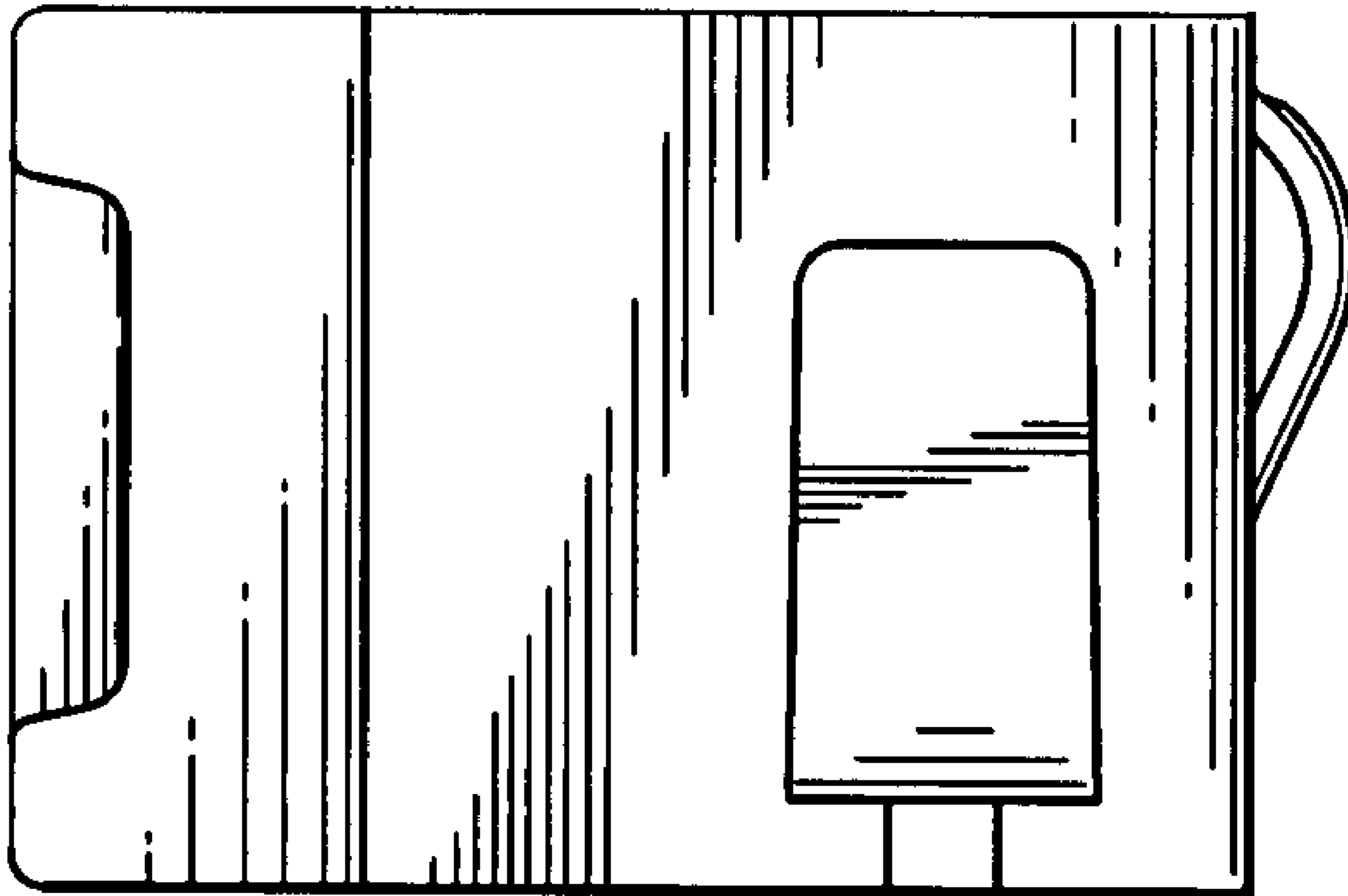


FIG. 5

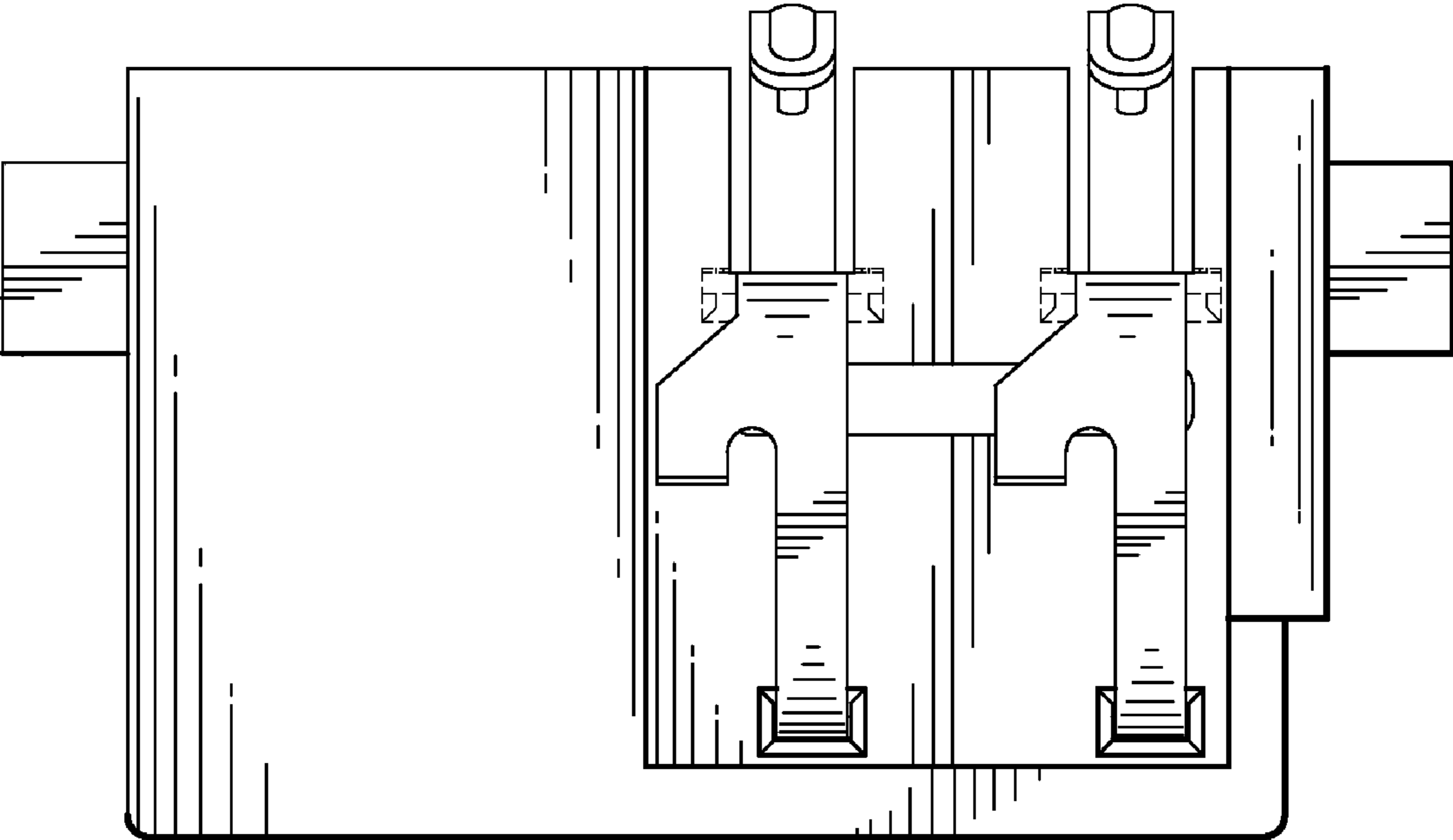


FIG. 6

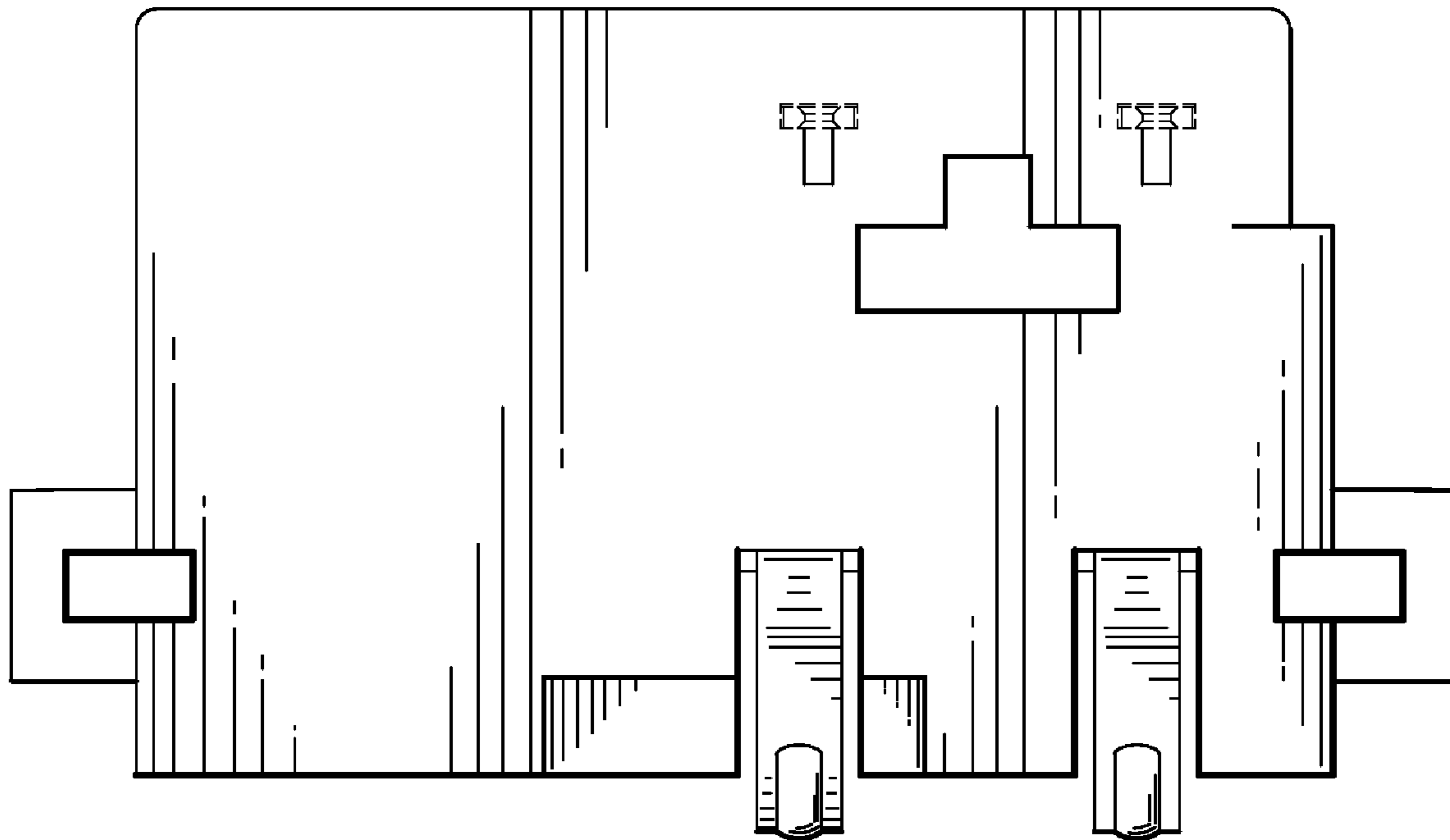


FIG. 7

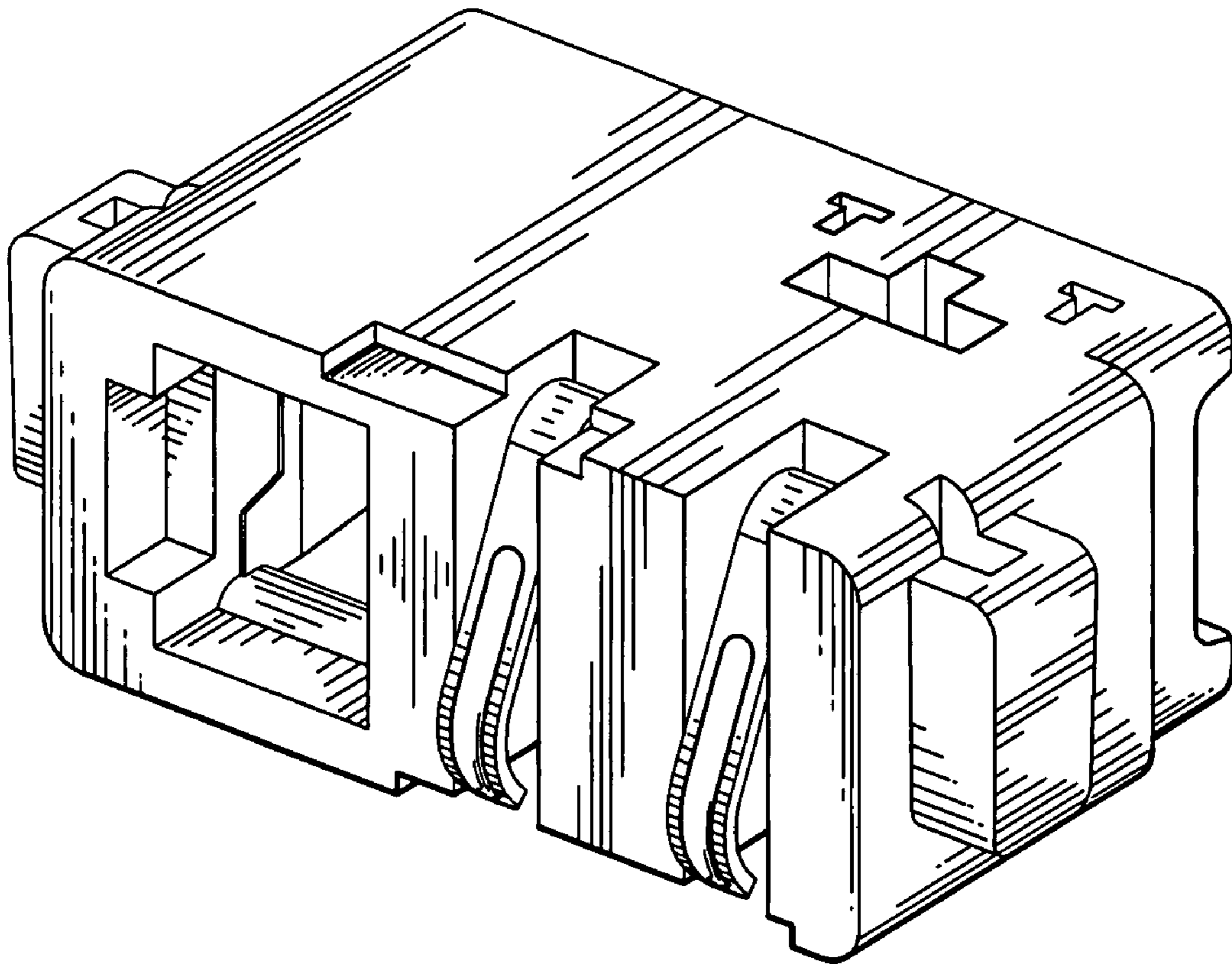


FIG. 8