



US00D576947S

(12) **United States Design Patent**  
**Wu**

(10) **Patent No.:** **US D576,947 S**  
(45) **Date of Patent:** **\*\* Sep. 16, 2008**

(54) **POWER WIRE RECEIVING DEVICE**

D465,222 S \* 11/2002 Wang ..... D14/433

(75) Inventor: **Wen-Ching Wu**, Taoyuan (TW)

\* cited by examiner

(73) Assignee: **Advanced Lithium Electrochemistry Co., Ltd.**, Taoyuan Hsien (TW)

*Primary Examiner*—Daniel D Bui  
*Assistant Examiner*—Thomas J Johannes

(\*\*) Term: **14 Years**

(57) **CLAIM**

(21) Appl. No.: **29/280,955**

The ornamental design for a power wire receiving device, as shown and described.

(22) Filed: **Jun. 11, 2007**

**DESCRIPTION**

(51) **LOC (8) Cl.** ..... **13-03**

(52) **U.S. Cl.** ..... **D13/133; D13/154**

(58) **Field of Classification Search** ..... D13/133,  
D13/153, 154, 184, 199; D8/358; 242/378.2,  
242/378.3; 191/12.2 R, 12.4 R; 319/438  
See application file for complete search history.

FIG. 1 is a perspective view of a power wire receiving device showing my new design;

FIG. 2 is a front view showing a usage condition thereof;

FIG. 3 is a rear view thereof;

FIG. 4 is a left side elevational view thereof;

FIG. 5 is a right side elevational view thereof;

FIG. 6 is a top view thereof; and,

FIG. 7 is a bottom view thereof.

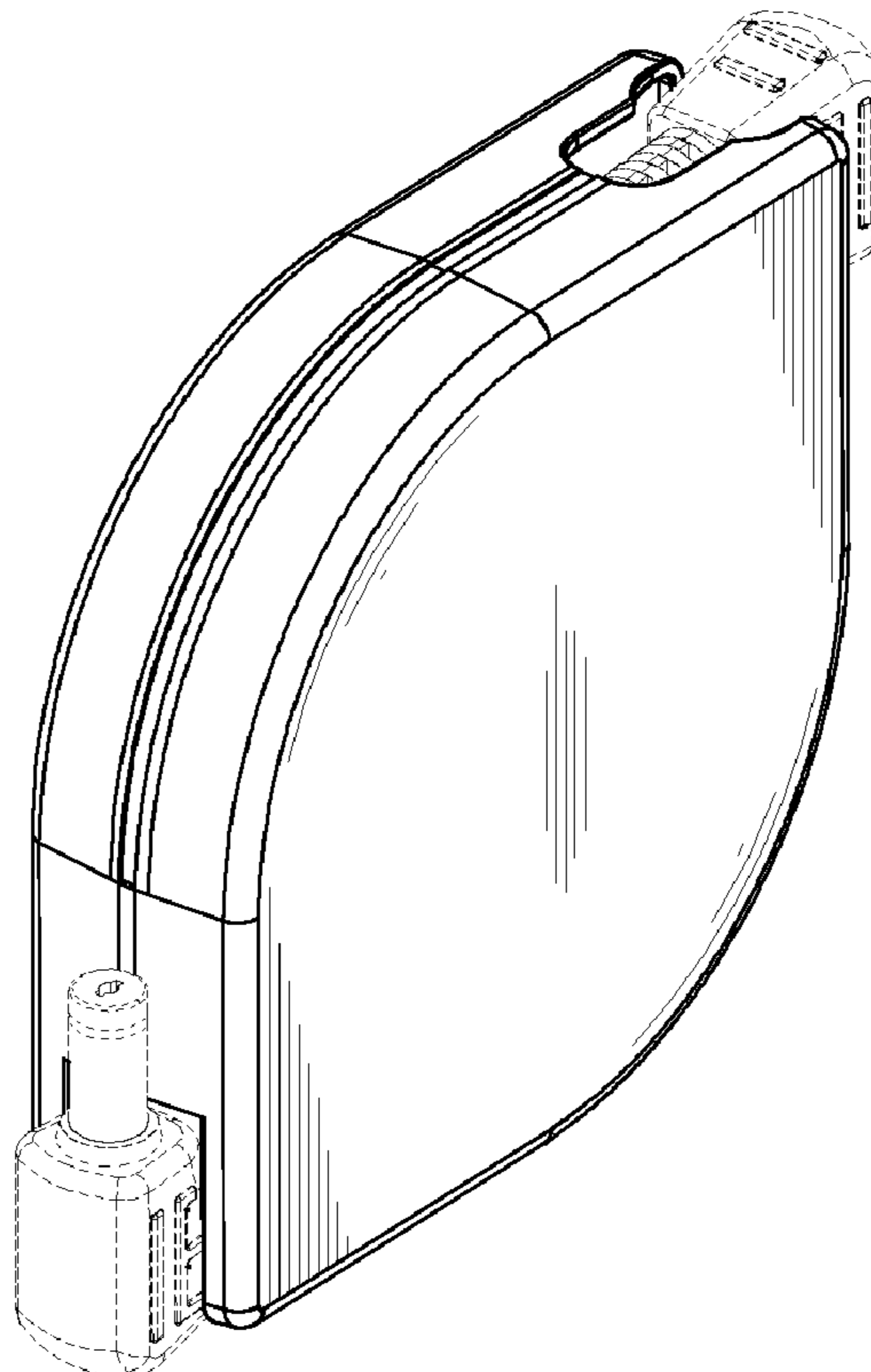
The broken line showing in the figure drawings is included for illustrative purposes only and forms no part of the claimed design.

(56) **References Cited**

**U.S. PATENT DOCUMENTS**

D419,527 S *	1/2000	Hwang	.....	D13/154
D430,111 S *	8/2000	Liao	.....	D13/154
D430,851 S *	9/2000	Hwang	.....	D13/154
D451,075 S *	11/2001	Hwang	.....	D13/154
6,328,243 B1 *	12/2001	Yamamoto	.....	242/378.1
D458,534 S *	6/2002	Morris et al.	.....	D8/358

**1 Claim, 4 Drawing Sheets**



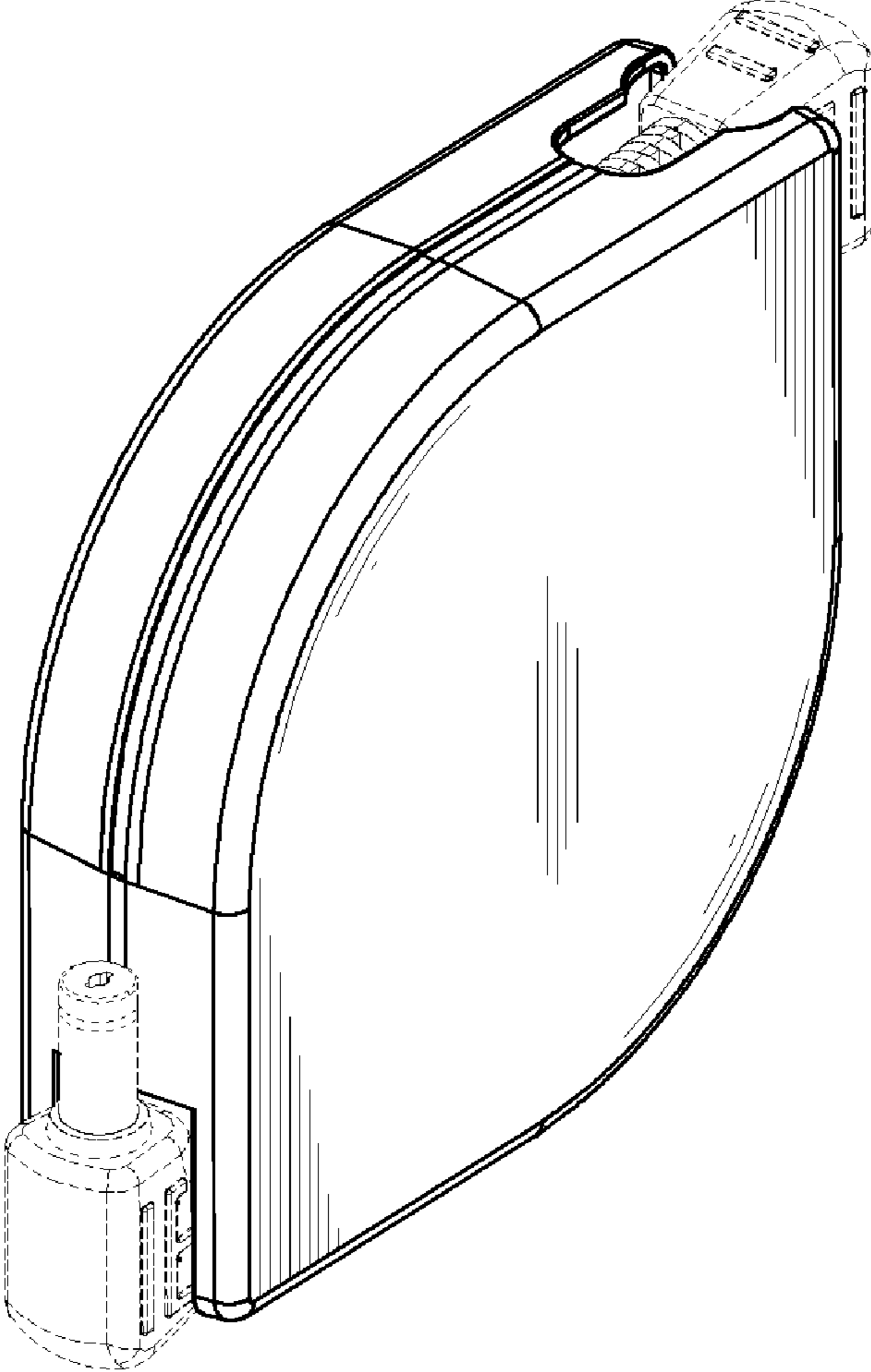


FIG. 1

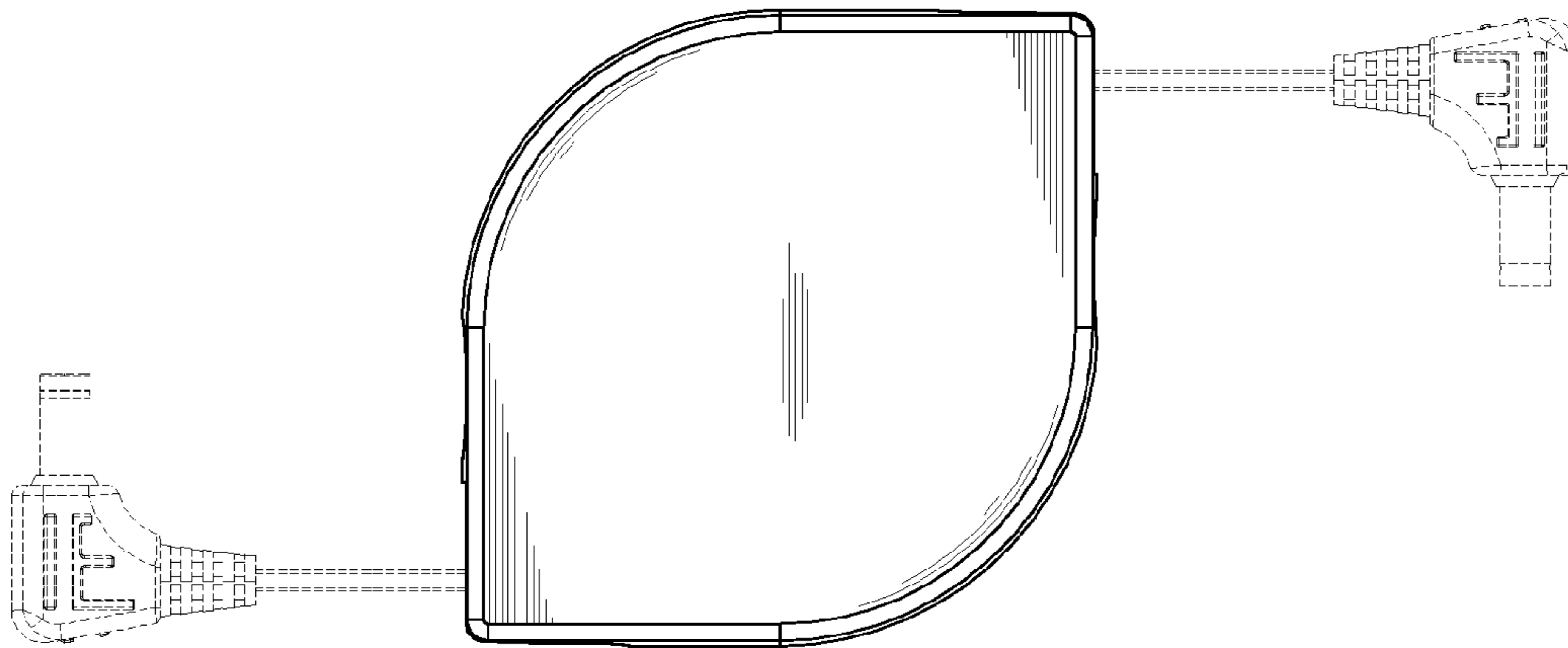


Fig. 2

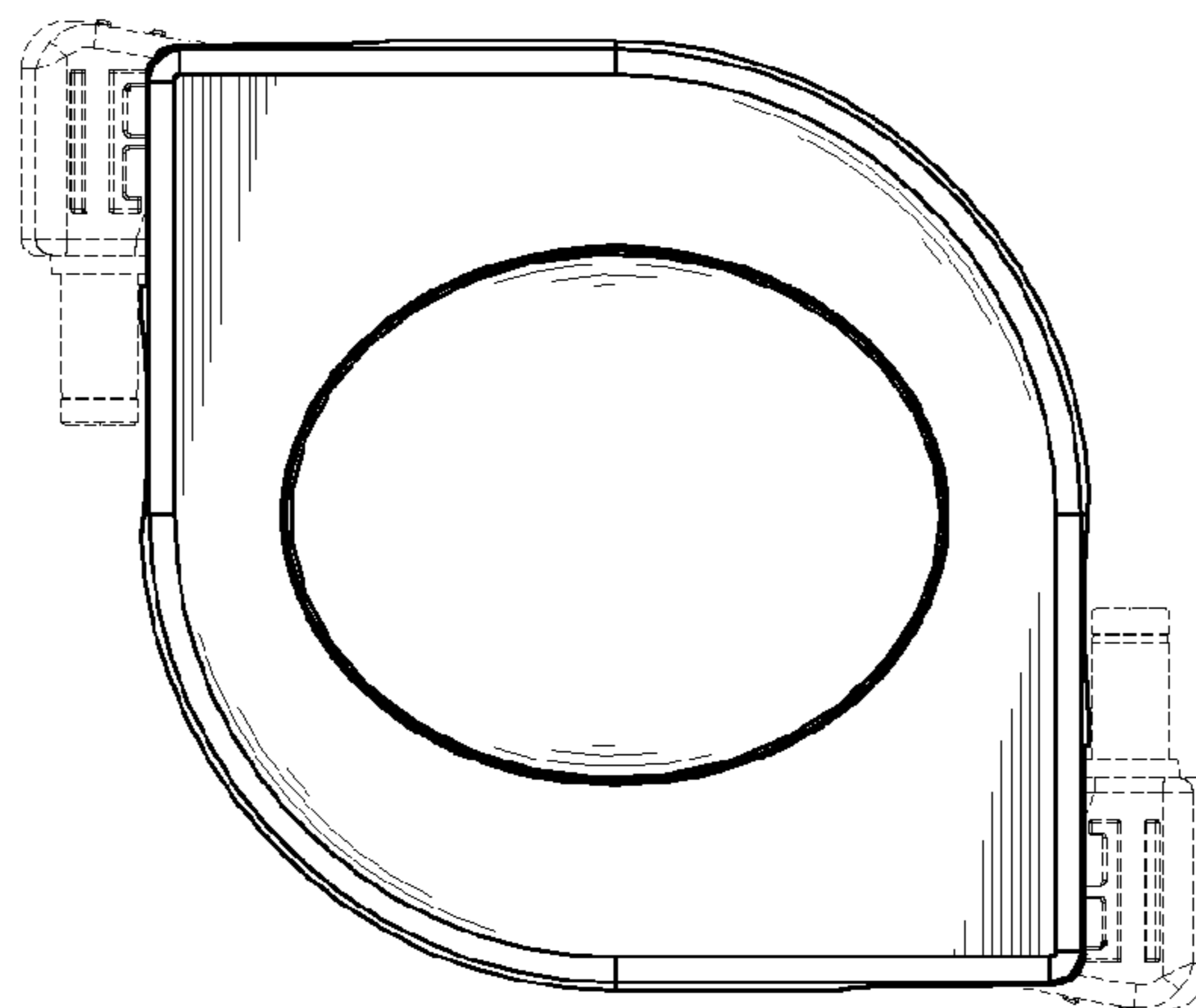


Fig. 3

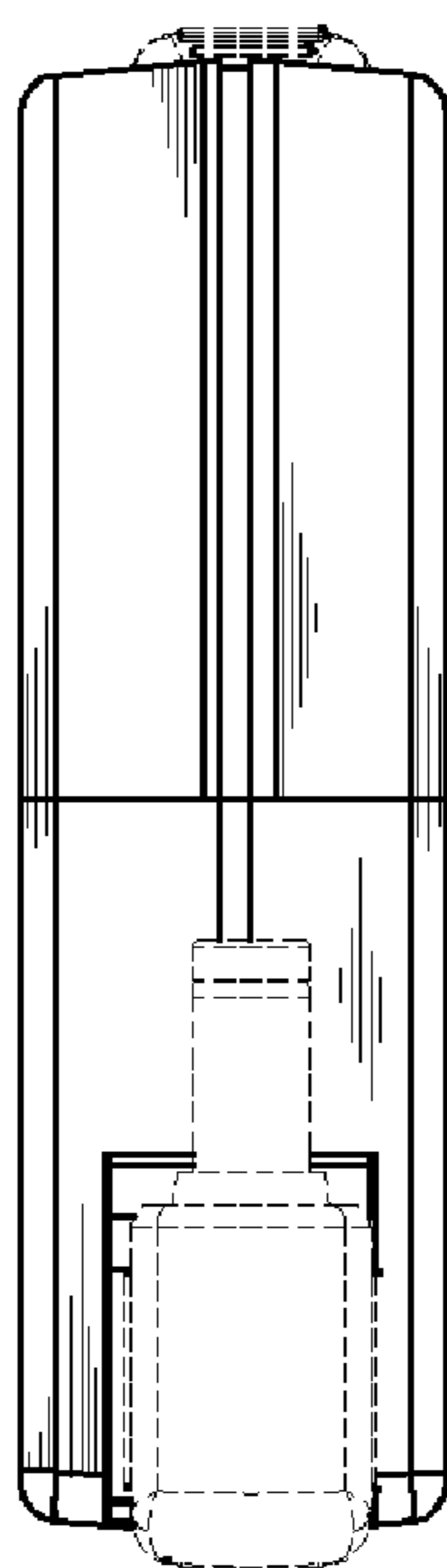


Fig. 4

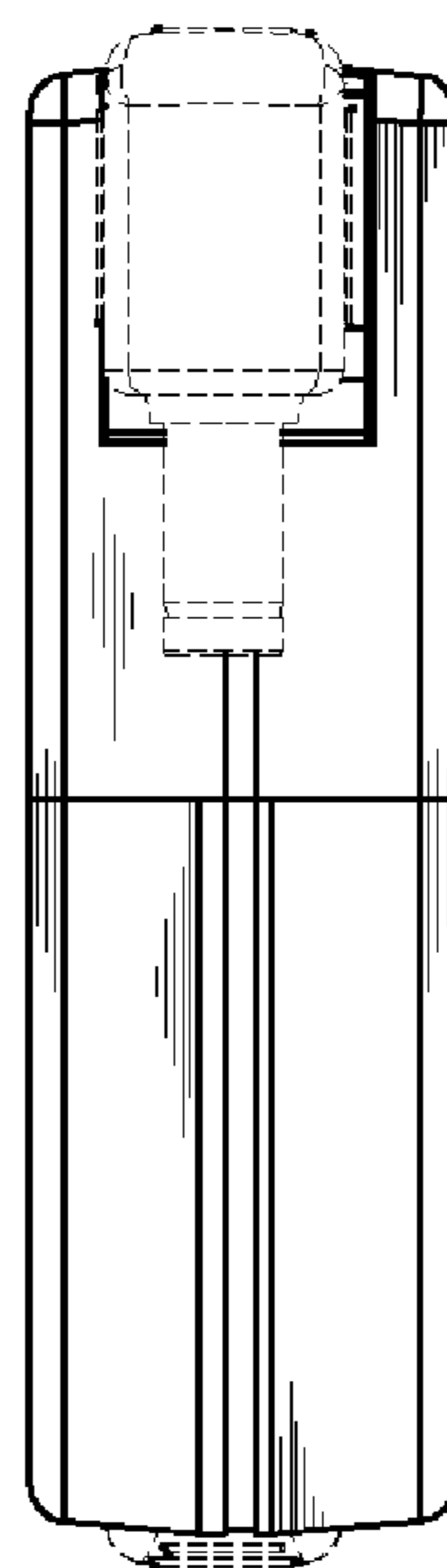


Fig. 5



Fig. 6



Fig. 7