



US00D576941S

(12) **United States Design Patent**
Evon et al.

(10) **Patent No.:** **US D576,941 S**
(45) **Date of Patent:** **** Sep. 16, 2008**

(54) **ELECTRIC MOTOR**

(75) Inventors: **Steven T. Evon**, Easley, SC (US);
William E. Martin, Greenville, SC (US)

(73) Assignee: **Reliance Electric Technologies, LLC**,
Greenville, SC (US)

(**) Term: **14 Years**

(21) Appl. No.: **29/302,125**

(22) Filed: **Jan. 10, 2008**

Related U.S. Application Data

(63) Continuation of application No. 11/158,952, filed on
Jun. 21, 2005, now abandoned.

(51) **LOC (8) Cl.** **13-01**

(52) **U.S. Cl.** **D13/112**

(58) **Field of Classification Search** D13/112,
D13/114, 118, 122, 199; D15/5; 310/10,
310/40 R, 51, 57, 58, 85, 89, 91, 236, 239,
310/254

See application file for complete search history.

(56) **References Cited**

U.S. PATENT DOCUMENTS

3,353,042 A	11/1967	Baumann	
D236,985 S *	9/1975	Baumann	D13/114
D287,715 S *	1/1987	Pittman et al.	D13/112
4,839,547 A	6/1989	Lordo et al.	
5,091,666 A	2/1992	Jarczyński	
D325,560 S *	4/1992	Baines	D13/112
D336,890 S *	6/1993	Hirose et al.	D13/112
5,670,838 A	9/1997	Everton	
5,731,643 A	3/1998	Avakian et al.	
5,877,576 A	3/1999	CoChimin	
6,069,424 A	5/2000	Colello et al.	
6,093,990 A	7/2000	Meeks et al.	
6,166,462 A	12/2000	Finkenbinder et al.	
6,215,214 B1 *	4/2001	Fisher et al.	310/89
D441,715 S *	5/2001	Sasaki et al.	D13/122
6,504,274 B2	1/2003	Bunker et al.	

6,666,660 B2	12/2003	Kegg et al.	
6,700,283 B2	3/2004	Kikuchi et al.	
6,734,584 B1	5/2004	Browne et al.	
6,777,848 B1	8/2004	Joho et al.	
6,798,097 B2	9/2004	Pullen et al.	
6,882,068 B2	4/2005	Weeber et al.	
D511,138 S *	11/2005	Kwan	D13/112

FOREIGN PATENT DOCUMENTS

CH	317647	11/1956
DE	2037769	2/1972
GB	2293282	3/1996
GB	2314692	1/1998
JP	56129550	10/1981
JP	58192453	11/1983
JP	59106852	6/1984
JP	2002191149	7/2002
JP	2004289928	10/2004
WO	WO9524067	9/1995
WO	WO2005022718	3/2005
WO	WO2005034305	4/2005

* cited by examiner

Primary Examiner—Prabhakar Deshmukh

Assistant Examiner—Derrick Holland

(74) *Attorney, Agent, or Firm*—Thompson Coburn LLP

(57) **CLAIM**

The ornamental design of an electric motor, as shown and described.

DESCRIPTION

FIG. 1 is a perspective view of an electric motor showing our new design;

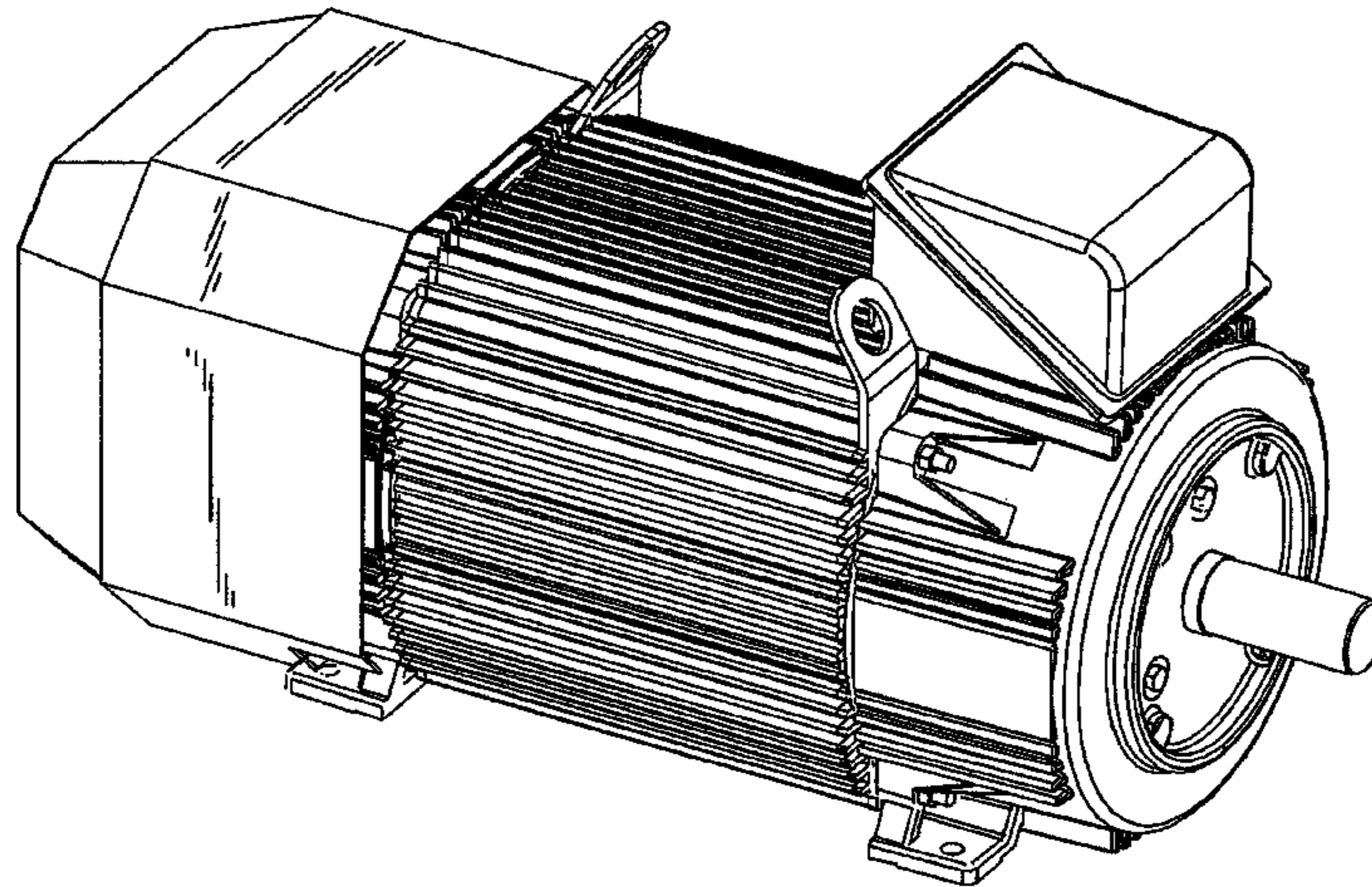
FIG. 2 is a left side elevational view of the electric motor of FIG. 1;

FIG. 3 is a right side elevational view of the electric motor of FIG. 1.

FIG. 4 is a top view of the electric motor of FIG. 1; and,

FIG. 5 is a front elevational view of the electric motor of FIG. 1.

1 Claim, 5 Drawing Sheets



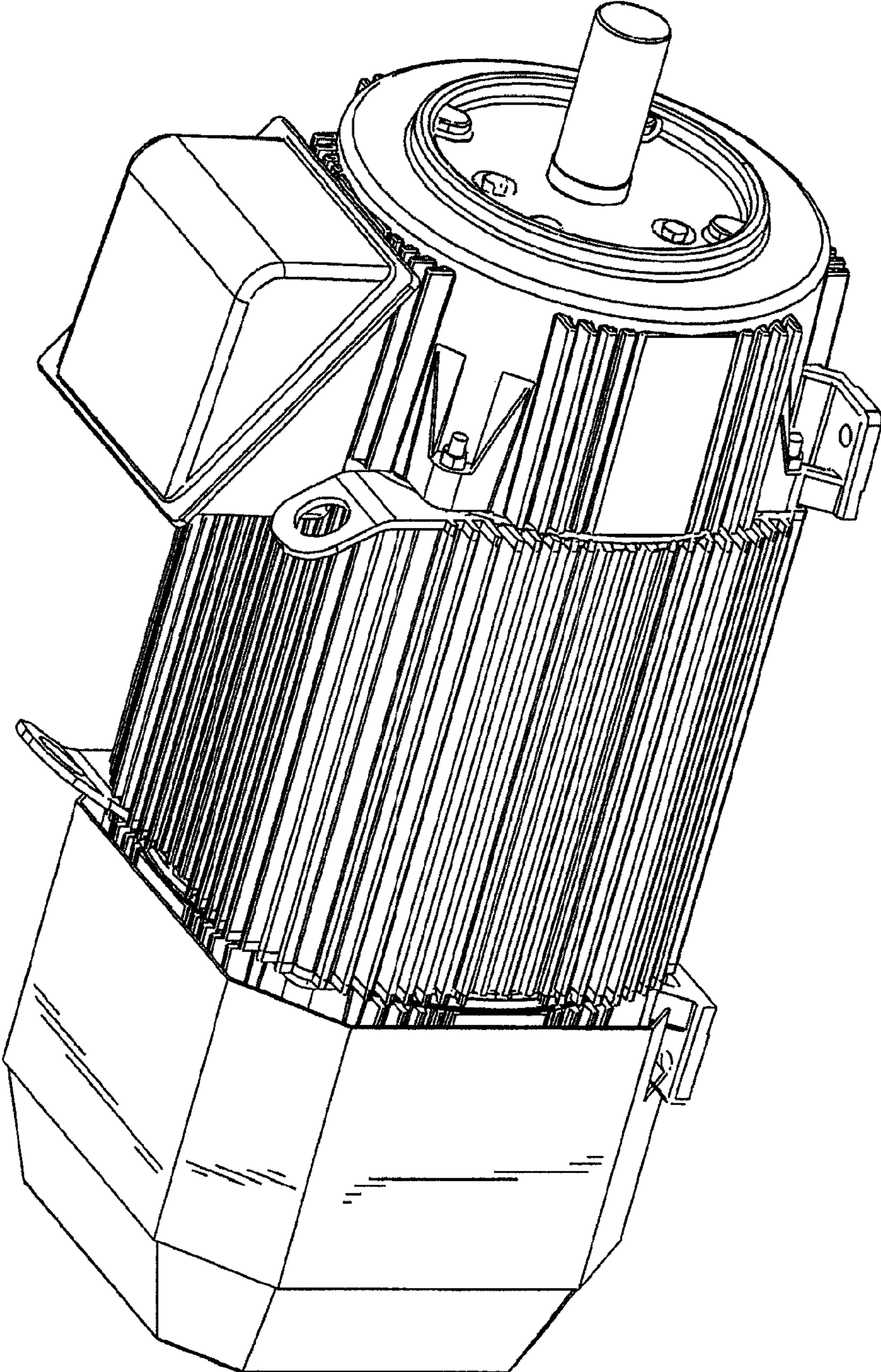


Fig. 1

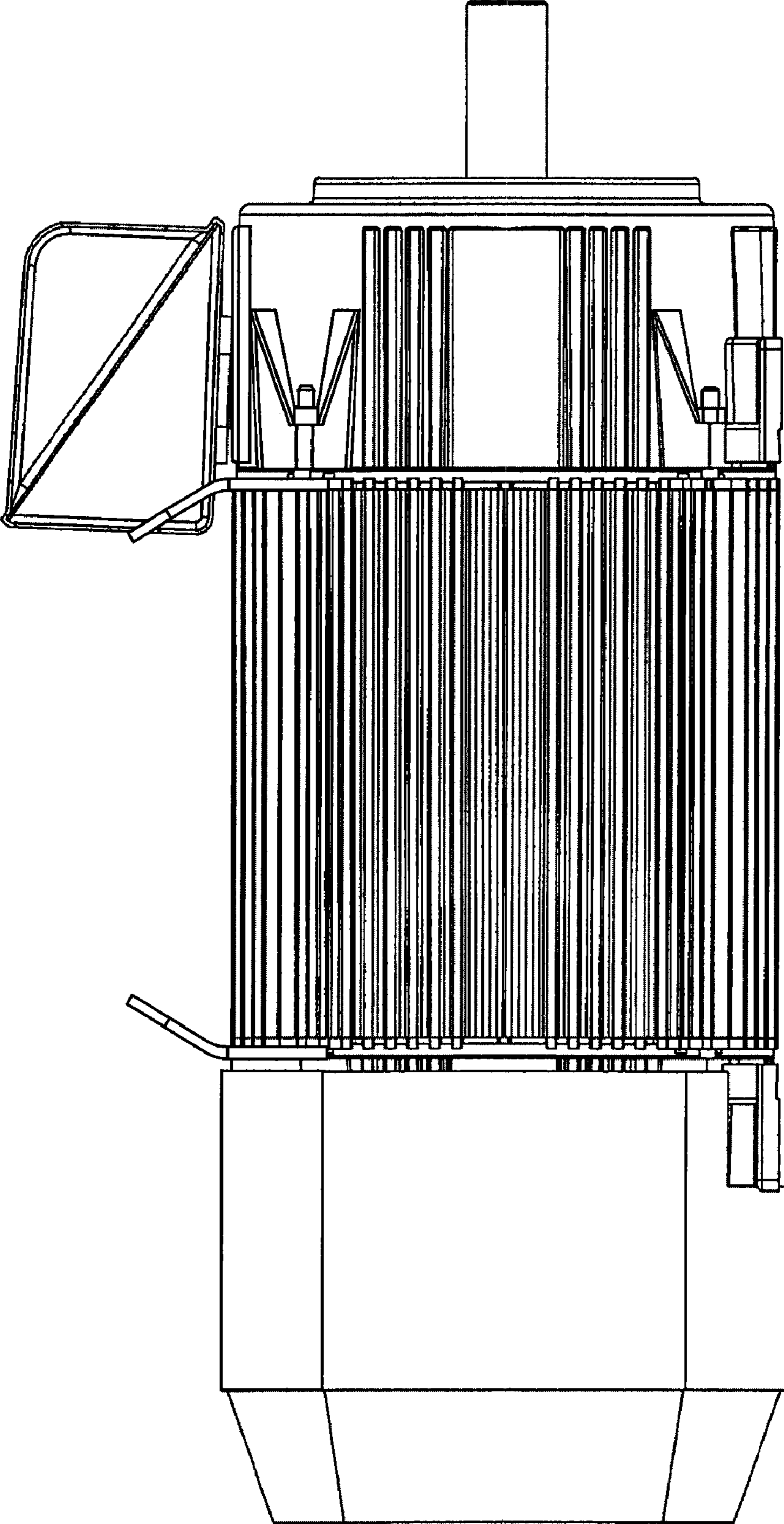


Fig. 2

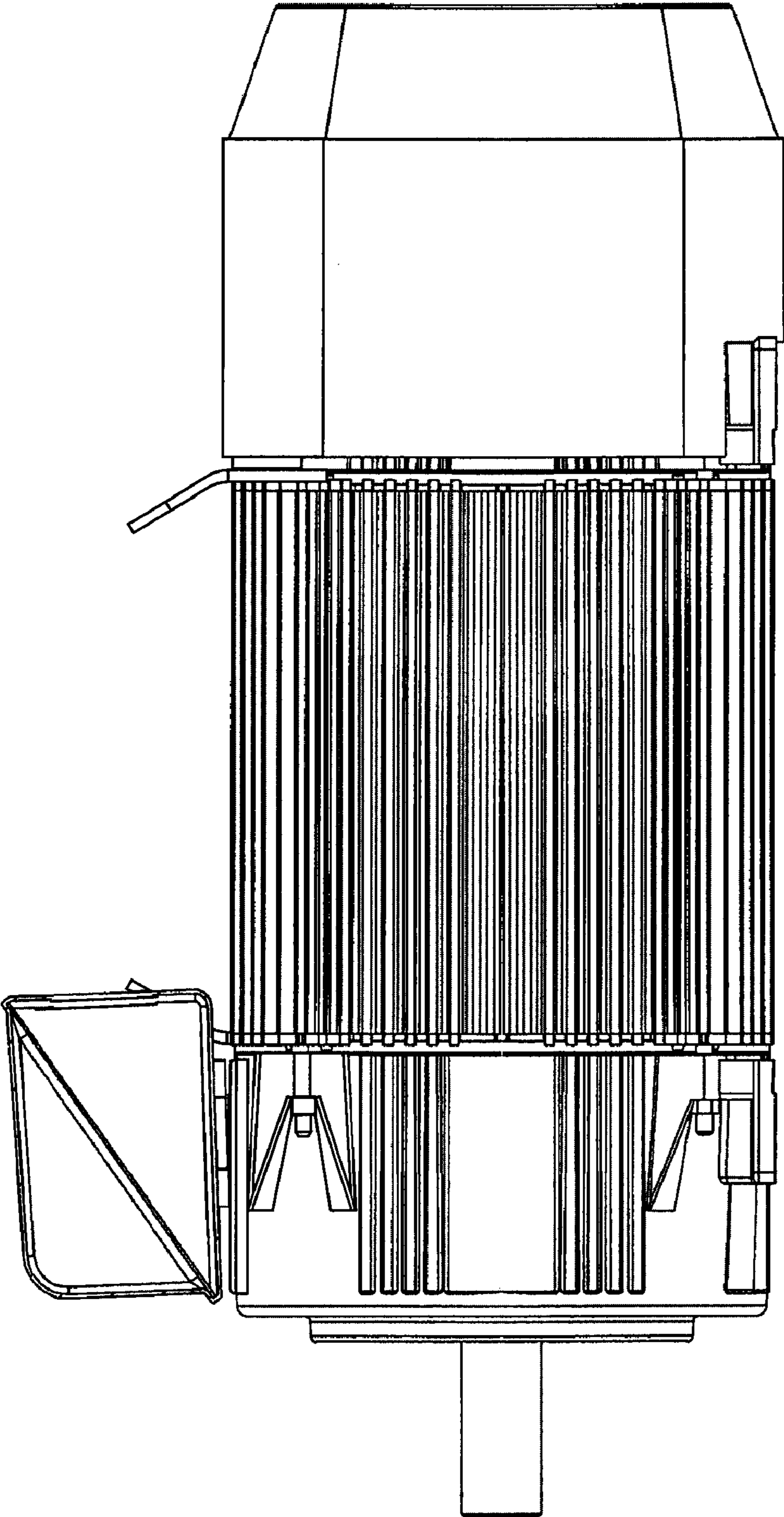


Fig. 3

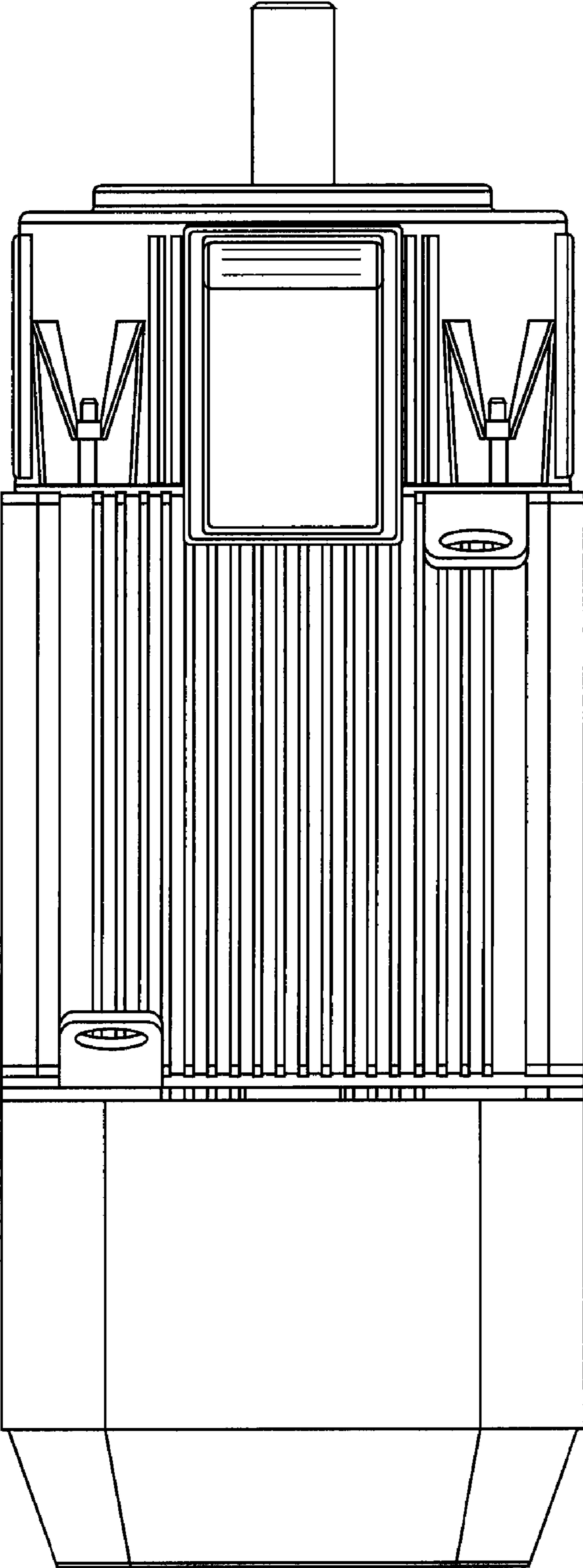


Fig. 4

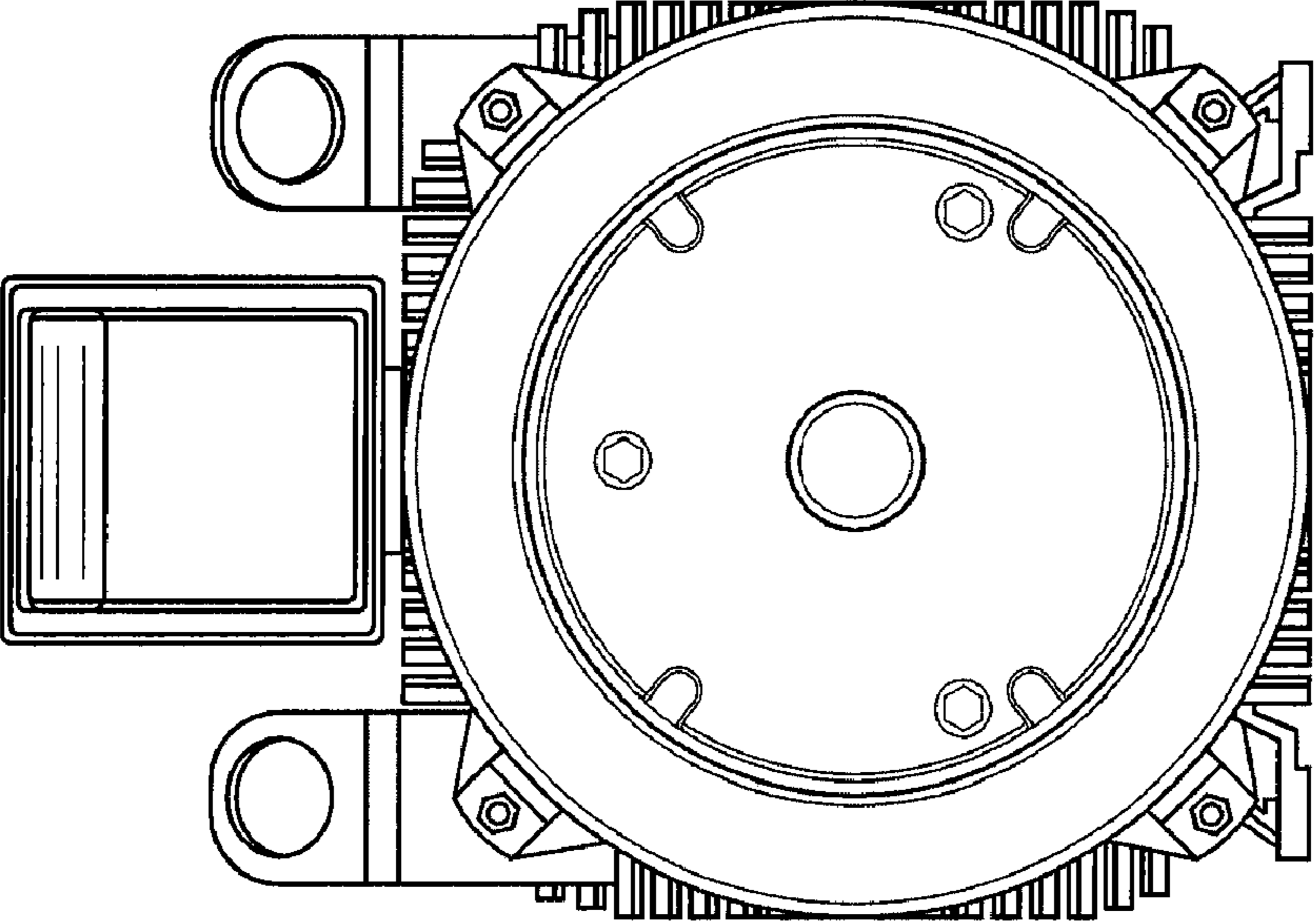


Fig. 5