



US00D576937S

(12) **United States Design Patent**
Imai

(10) **Patent No.:** **US D576,937 S**
(45) **Date of Patent:** **** Sep. 16, 2008**

(54) **WHEEL**

(75) Inventor: **Yoko Imai**, Lawndale, CA (US)

(73) Assignee: **Wheel Pros. LLC**, Lakewood, CO (US)

(**) Term: **14 Years**

(21) Appl. No.: **29/317,485**

(22) Filed: **Apr. 30, 2008**

(51) **LOC (8) Cl.** **12-16**

(52) **U.S. Cl.** **D12/211**

(58) **Field of Classification Search** D12/204–213;
301/37.101, 64.101, 65, 64.201

See application file for complete search history.

(56) **References Cited**

U.S. PATENT DOCUMENTS

D214,620 S	7/1969	Barris	
D417,427 S	12/1999	Brown	
D436,339 S	1/2001	Fitzgerald	
D438,165 S	* 2/2001	Echazabal D12/211
D449,267 S	10/2001	Fitzgerald	
D455,703 S	* 4/2002	Foose D12/211
D456,757 S	5/2002	Schroeder	
D457,849 S	5/2002	Kataoka	
D459,691 S	7/2002	Takechi	
D460,941 S	7/2002	Muzzarelli	
D461,155 S	8/2002	Takechi	
D465,758 S	11/2002	Plessing	
D467,857 S	12/2002	Chung	
D468,678 S	1/2003	Oh	
D471,500 S	3/2003	Kataoka	
D471,503 S	3/2003	Baumgartner	
D474,141 S	5/2003	Foose	
D475,962 S	6/2003	Chung	
D478,306 S	8/2003	Brown et al.	
D480,347 S	* 10/2003	Nemoto D12/211
D481,346 S	10/2003	Vian	
D481,347 S	10/2003	Kang	
D484,083 S	12/2003	Tai	
D484,084 S	12/2003	Tai	
D486,114 S	2/2004	Lai	

D487,882 S	3/2004	Cahyono	
D488,116 S	4/2004	Chung	
D488,422 S	4/2004	Hartanto	
D488,762 S	4/2004	Cahyono	
D488,763 S	4/2004	Takechi	
D490,040 S	5/2004	Foose	
D491,128 S	* 6/2004	Hall et al. D12/211
D492,234 S	6/2004	Kataoka	
D492,240 S	6/2004	Suciu	
D493,406 S	7/2004	Kataoka	
D494,523 S	8/2004	Koenigsberg	

(Continued)

Primary Examiner—Stacia Cadmus

(74) *Attorney, Agent, or Firm*—Garcia-Zamor IP Law; Ruy M. Garcia-Zamor

(57) **CLAIM**

The ornamental design for a wheel, as shown and described.

DESCRIPTION

FIG. 1 is a perspective view of a wheel according to a preferred embodiment of my new design;

FIG. 2 is a front elevational view of the wheel of FIG. 1;

FIG. 3 is a left side elevational view of the wheel of FIG. 1, the right side elevational view of the wheel of FIG. 1 being a mirror image of FIG. 3;

FIG. 4 is a top plan view of the wheel of FIG. 1;

FIG. 5 is a bottom plan view of the wheel of FIG. 1;

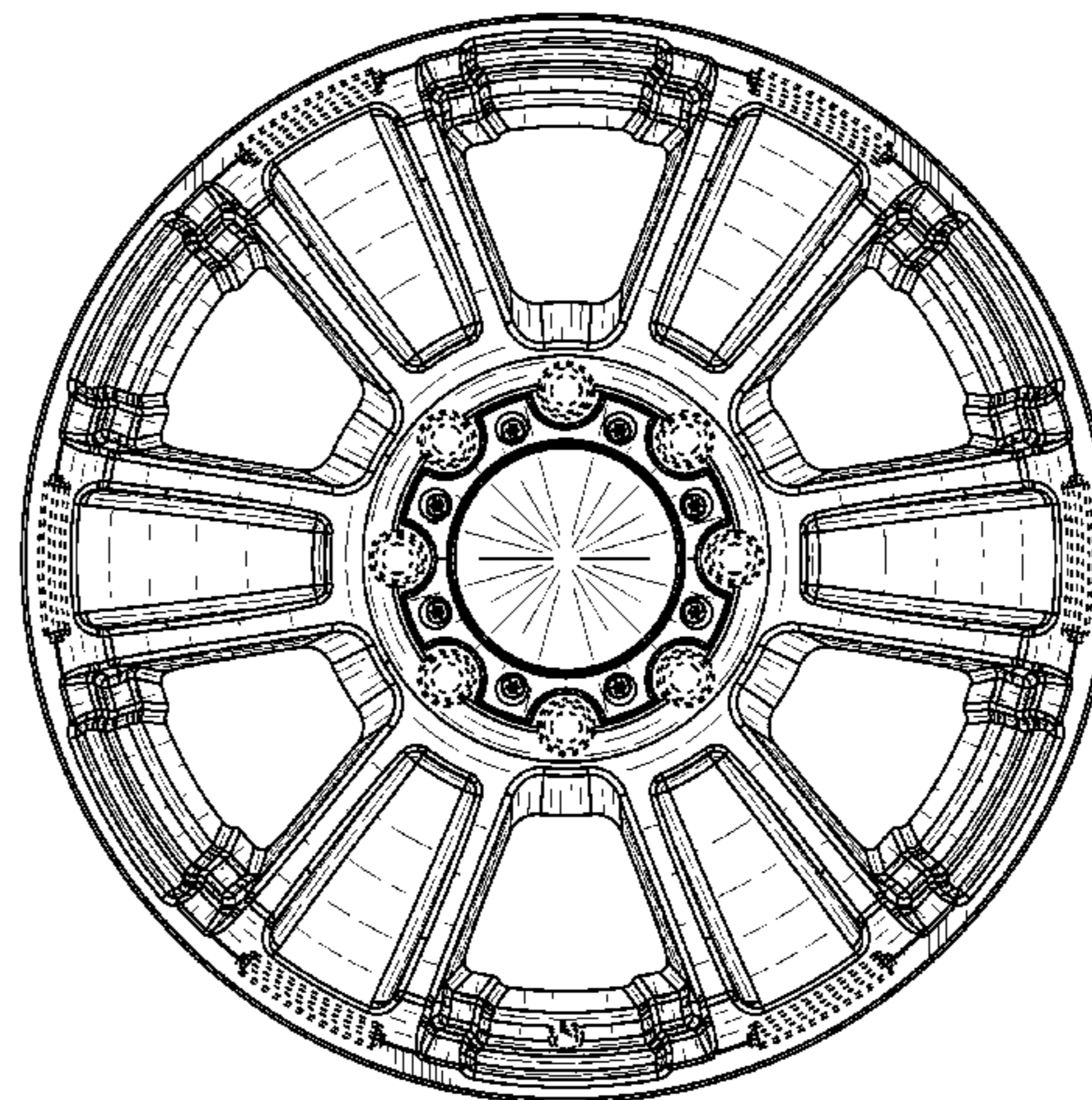
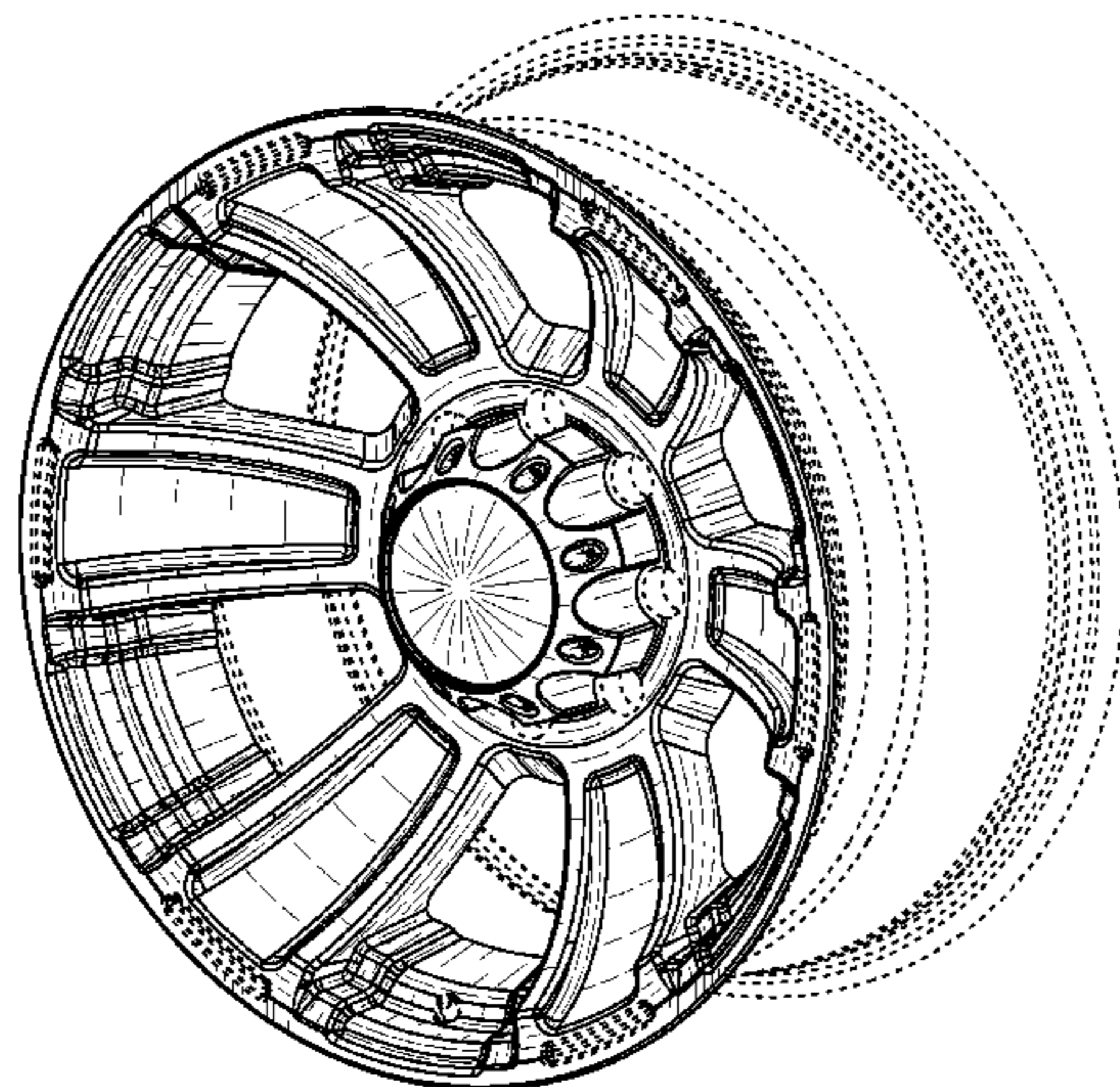
FIG. 6 is a rear elevational view of the wheel of FIG. 1;

FIG. 7 is a perspective view of a wheel according to a second preferred embodiment of my new design; and,

FIG. 8 is a front elevational view of the wheel of FIG. 7; portions of the wheel not shown in FIGS. 7 and 8 are disclaimed as forming no part of the claimed design.

The broken lines in FIGS. 1–8 represent environment and are for illustrative purposes only and do not constitute part of the claimed design.

1 Claim, 8 Drawing Sheets



US D576,937 S

Page 2

U.S. PATENT DOCUMENTS

D495,285 S	8/2004	Phillips		D506,429 S	6/2005	Arellano et al.	
D497,133 S	10/2004	Cheng		D507,222 S	7/2005	Arellano et al.	
D497,134 S	10/2004	Anerson et al.		D513,726 S	1/2006	Kamimura	
D497,139 S	10/2004	Anderson et al.		D524,214 S *	7/2006	Pfeiffer et al.	D12/211
D499,060 S	11/2004	Cahyono		D524,219 S *	7/2006	Scheu	D12/211
D501,440 S *	2/2005	Pfeiffer	D12/211	D527,699 S	9/2006	Kiesel	
D504,099 S	4/2005	Boyer		D541,205 S *	4/2007	Plumer	D12/211
D505,651 S	5/2005	Arellano et al.		D571,703 S *	6/2008	Antoniadis et al.	D12/211
D506,173 S *	6/2005	Pfeiffer	D12/211				

* cited by examiner

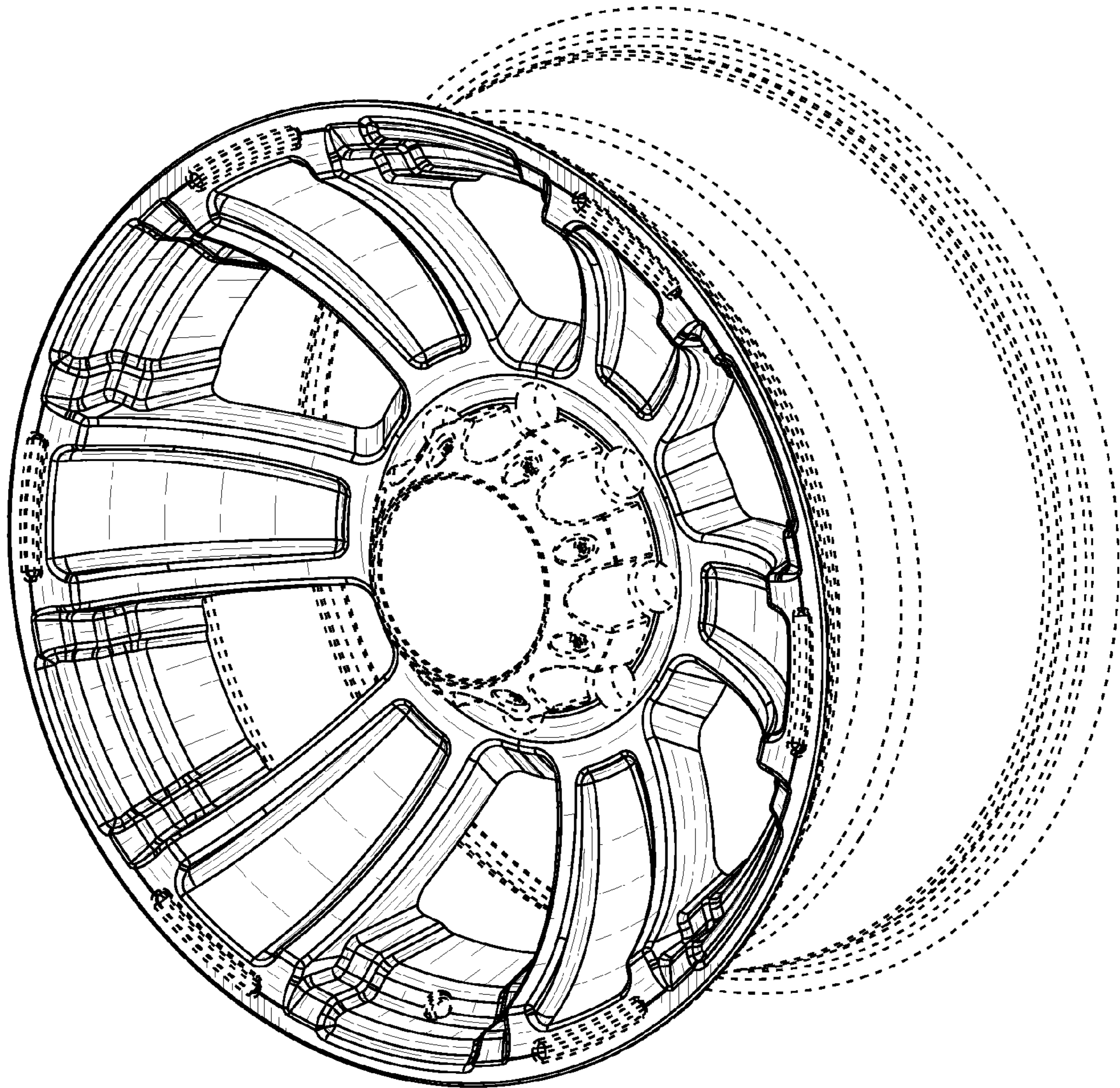


FIG. 1

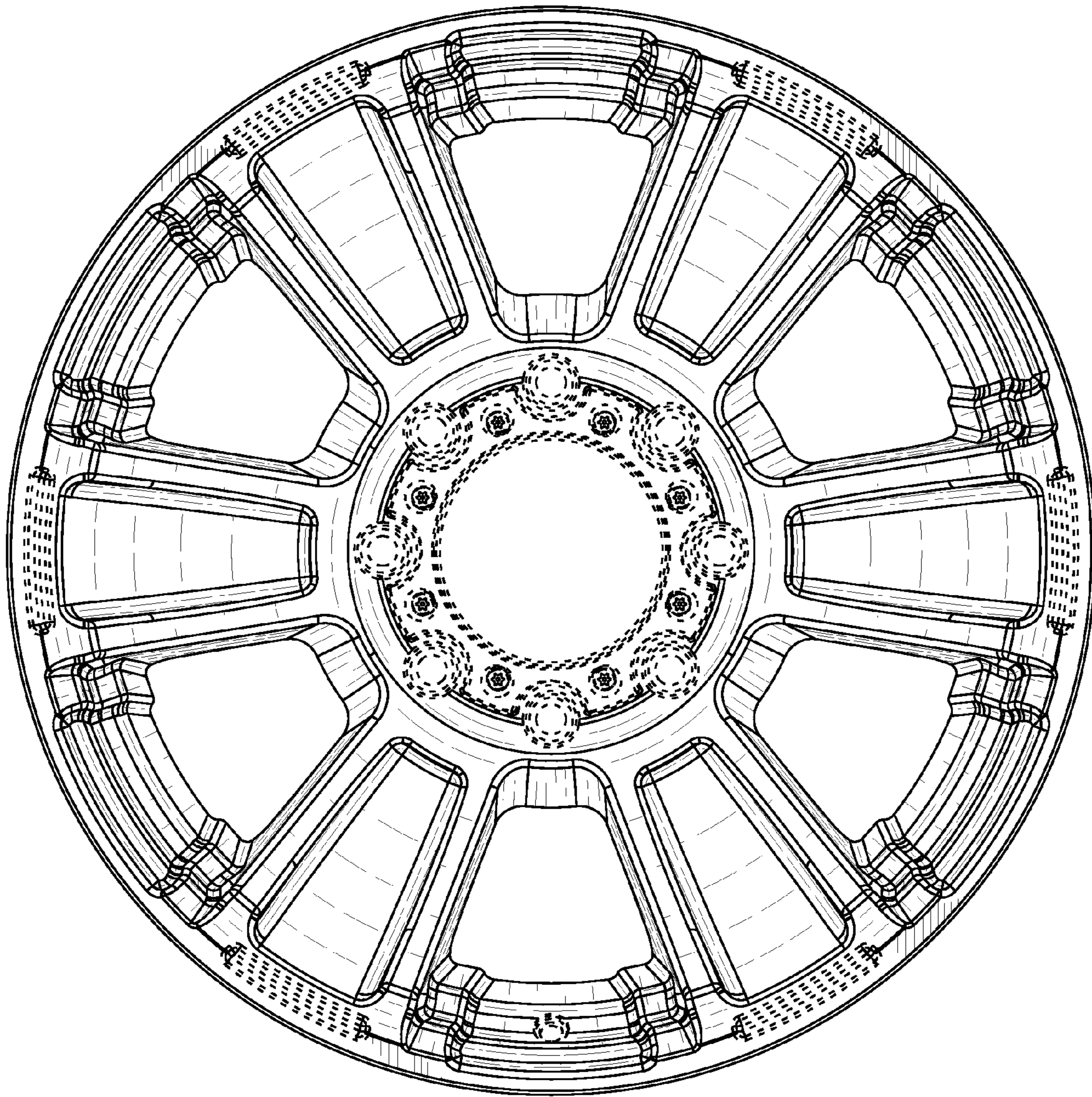


FIG. 2

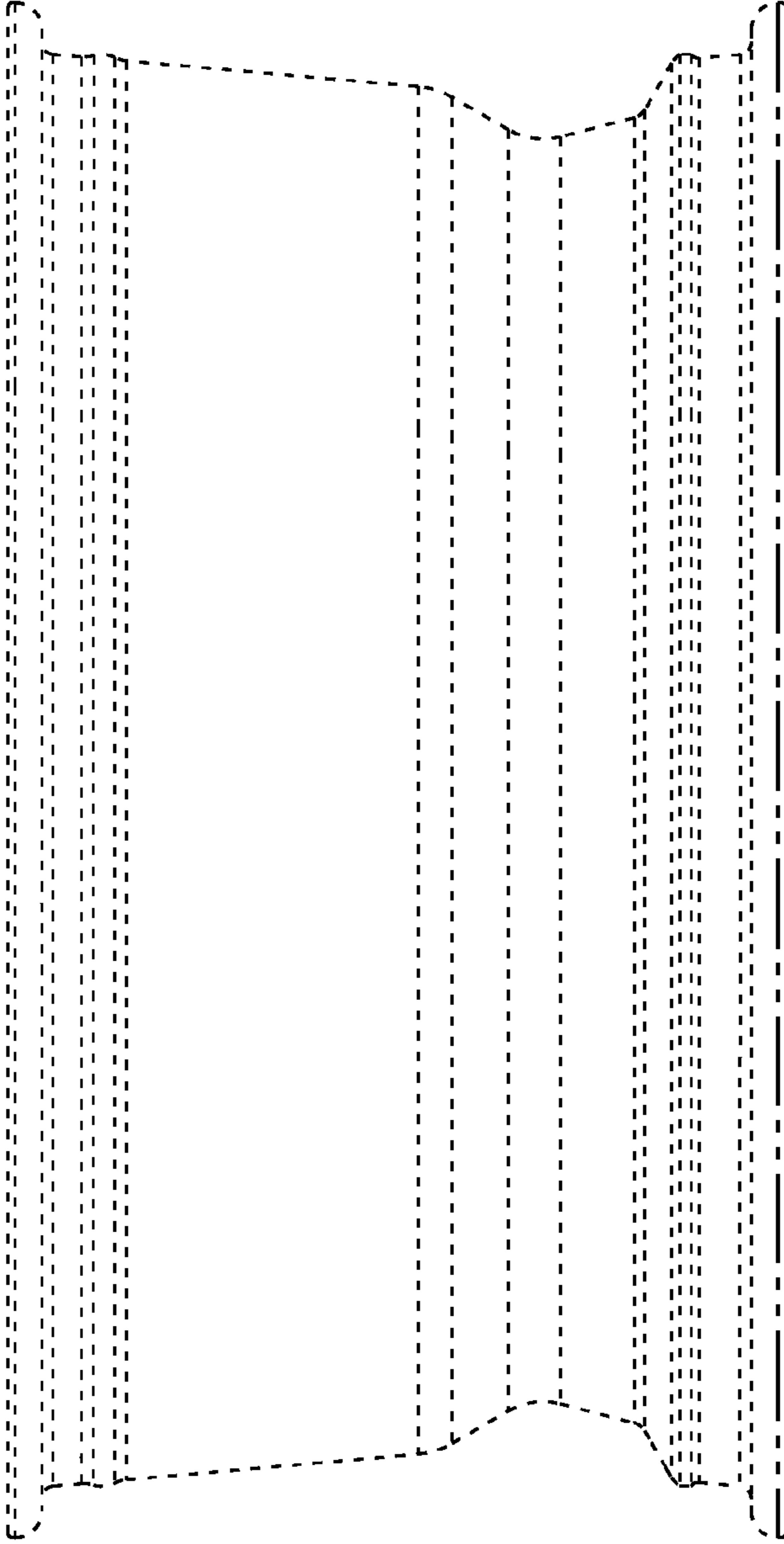


FIG. 3

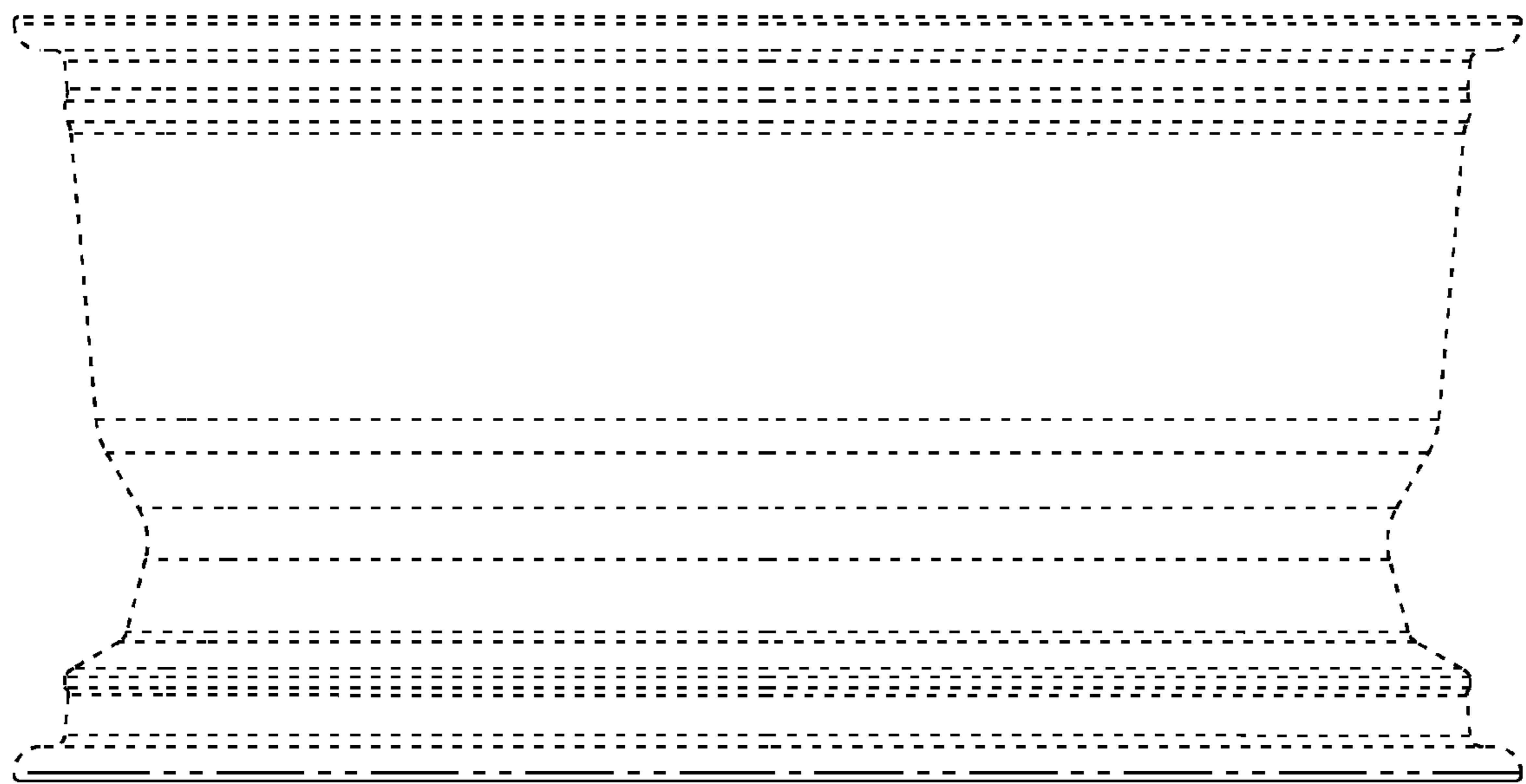


FIG. 4

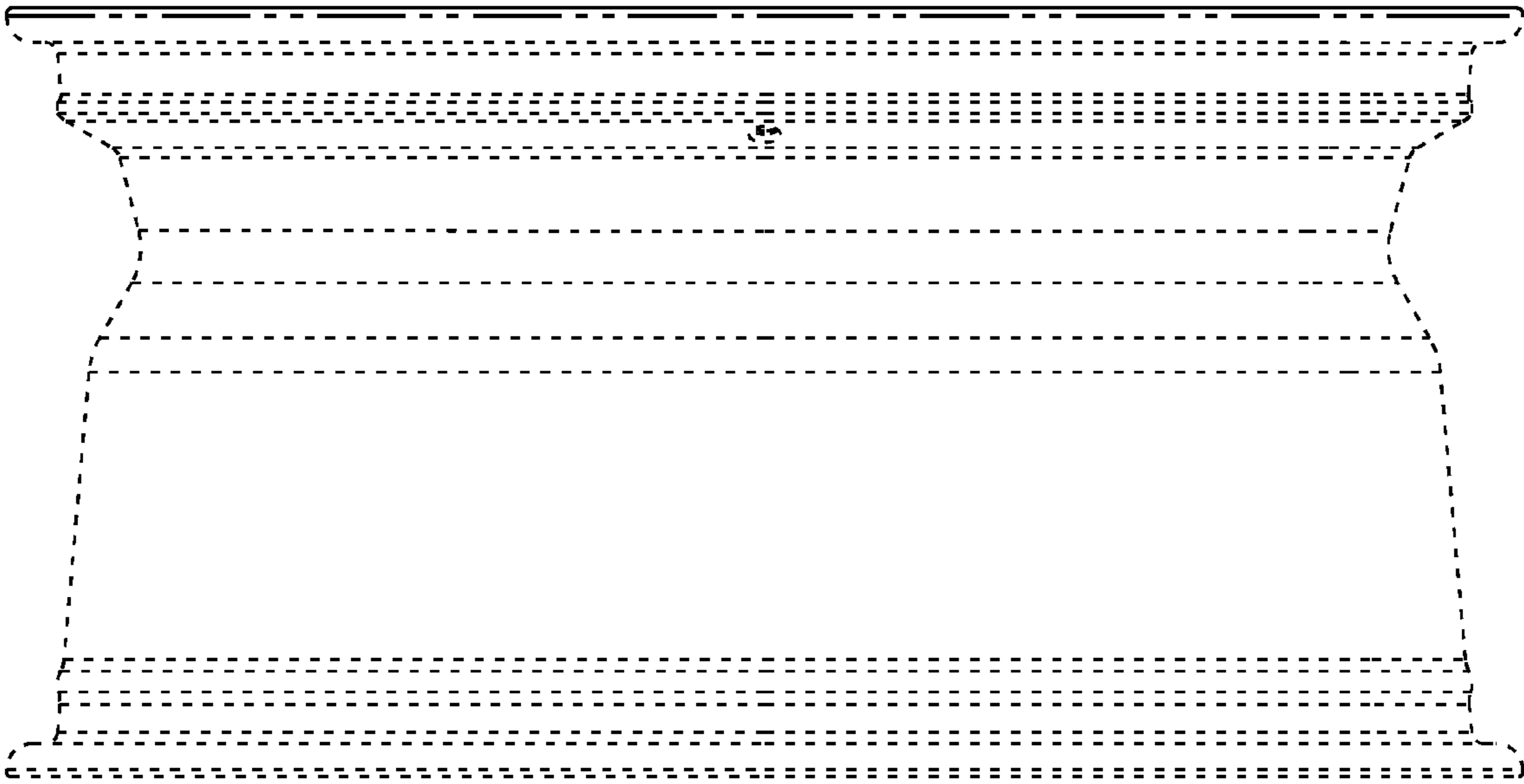


FIG. 5

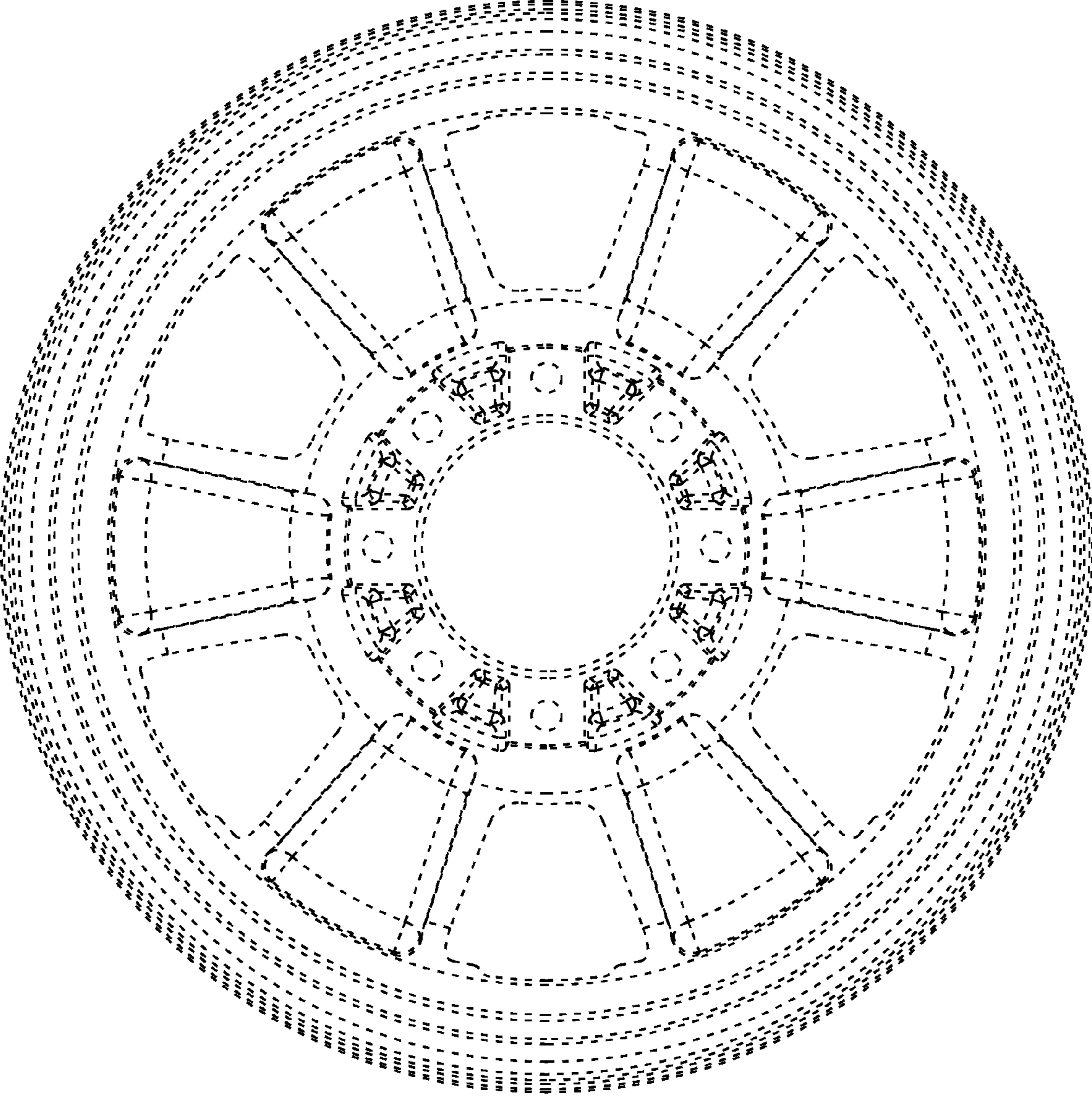


FIG. 6

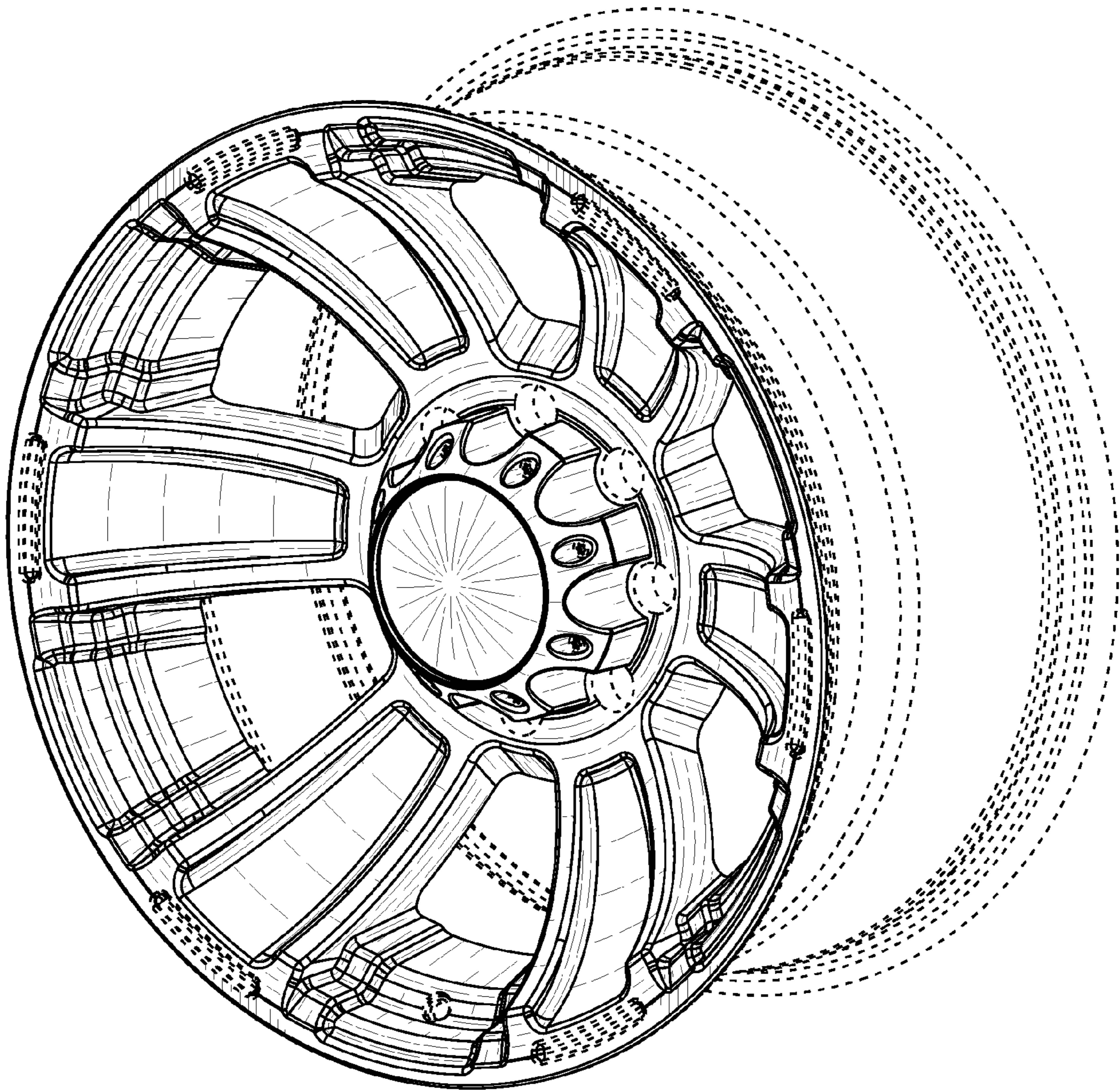


FIG. 7

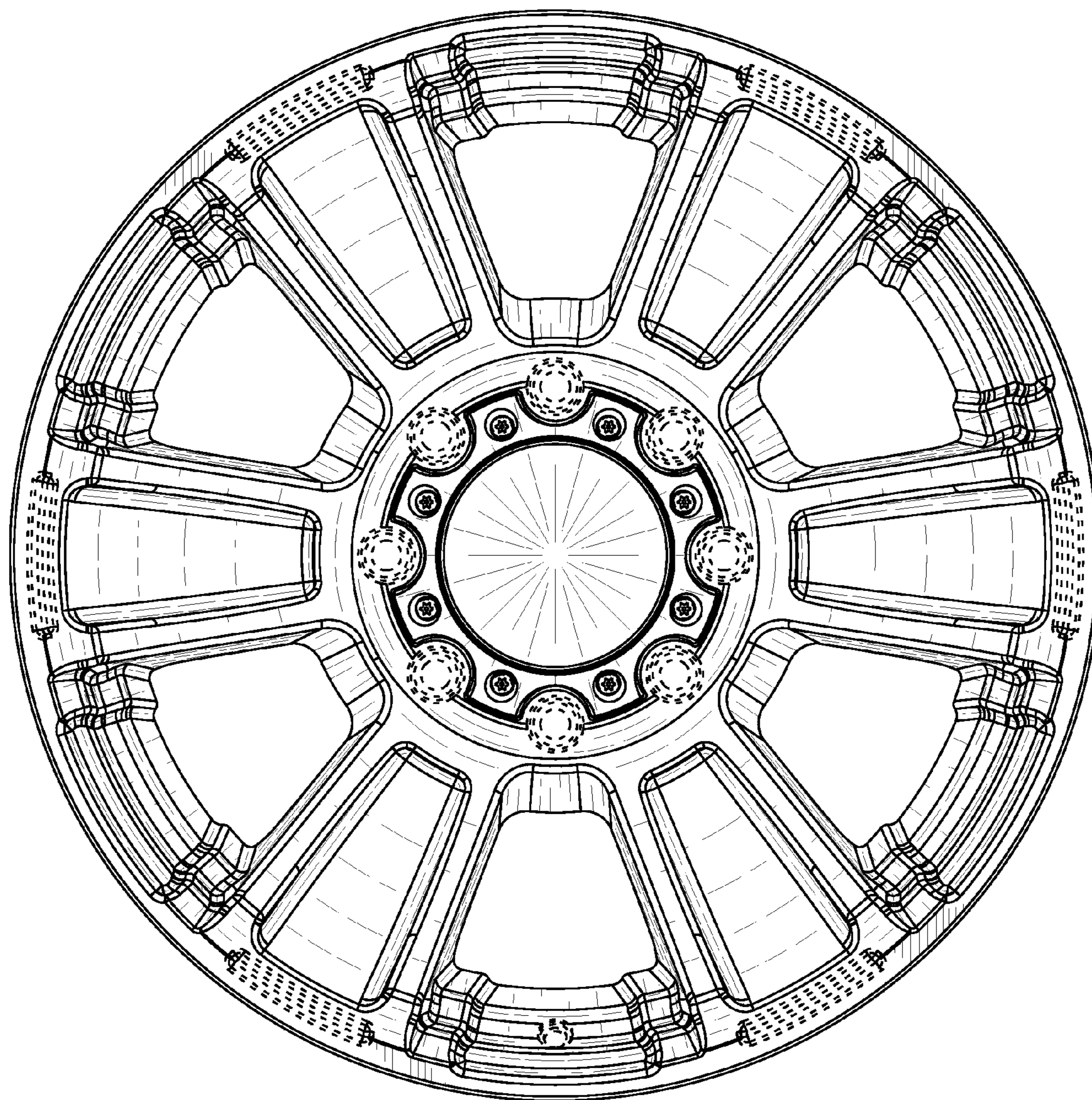


FIG. 8