



US00D576934S

(12) **United States Design Patent**
Hirth et al.

(10) **Patent No.:** **US D576,934 S**
(45) **Date of Patent:** **** Sep. 16, 2008**

(54) **AUTOMOBILE LICENSE PLATE FRAME WITH SIDE LIGHT BARS**

(75) Inventors: **Kevin Hirth**, Festus, MO (US); **Reuben Mirabal**, St. Louis, MO (US)

(73) Assignee: **Midwest Motorcycle Supply Distributors Corp.**, Pevely, MO (US)

(**) Term: **14 Years**

(21) Appl. No.: **29/297,250**

(22) Filed: **Nov. 7, 2007**

(51) **LOC (8) Cl.** **12-16**

(52) **U.S. Cl.** **D12/193**

(58) **Field of Classification Search** D12/193;
D6/300-303, 310-314; D26/28, 24; 40/200-204,
40/207-214; 362/497, 473, 327, 604
See application file for complete search history.

(56) **References Cited**

U.S. PATENT DOCUMENTS

D280,610 S *	9/1985	Preisler	D12/193
D294,975 S	3/1988	Lester		
D311,167 S *	10/1990	Ching-Hwei	D12/193
5,029,053 A *	7/1991	Solow	362/497
D327,915 S *	7/1992	Anderson et al.	D12/193
5,408,772 A *	4/1995	Pettyjohn	40/204
D360,479 S	7/1995	Howard		
D378,998 S	4/1997	Lake		
D384,628 S *	10/1997	Lake	D12/193
D413,174 S *	8/1999	Mayer et al.	D26/28
D413,847 S	9/1999	Hartmann et al.		

D437,815 S	2/2001	Lyon		
D455,106 S	4/2002	Yang		
D464,299 S	10/2002	Ohm et al.		
6,526,680 B1 *	3/2003	Yu	40/204
D502,434 S *	3/2005	Leibman	D12/193
D510,552 S	10/2005	Phillips et al.		
D545,259 S	6/2007	Stahel et al.		
D564,429 S *	3/2008	Hirth et al.	D12/193

* cited by examiner

Primary Examiner—Stacia Cadmus

(74) *Attorney, Agent, or Firm*—Thompson Coburn LLP

(57) **CLAIM**

The ornamental design for an automobile license plate frame with side light bars, as shown and described.

DESCRIPTION

FIG. 1 is a perspective view of a license plate frame with side light bars design in accordance with the invention.

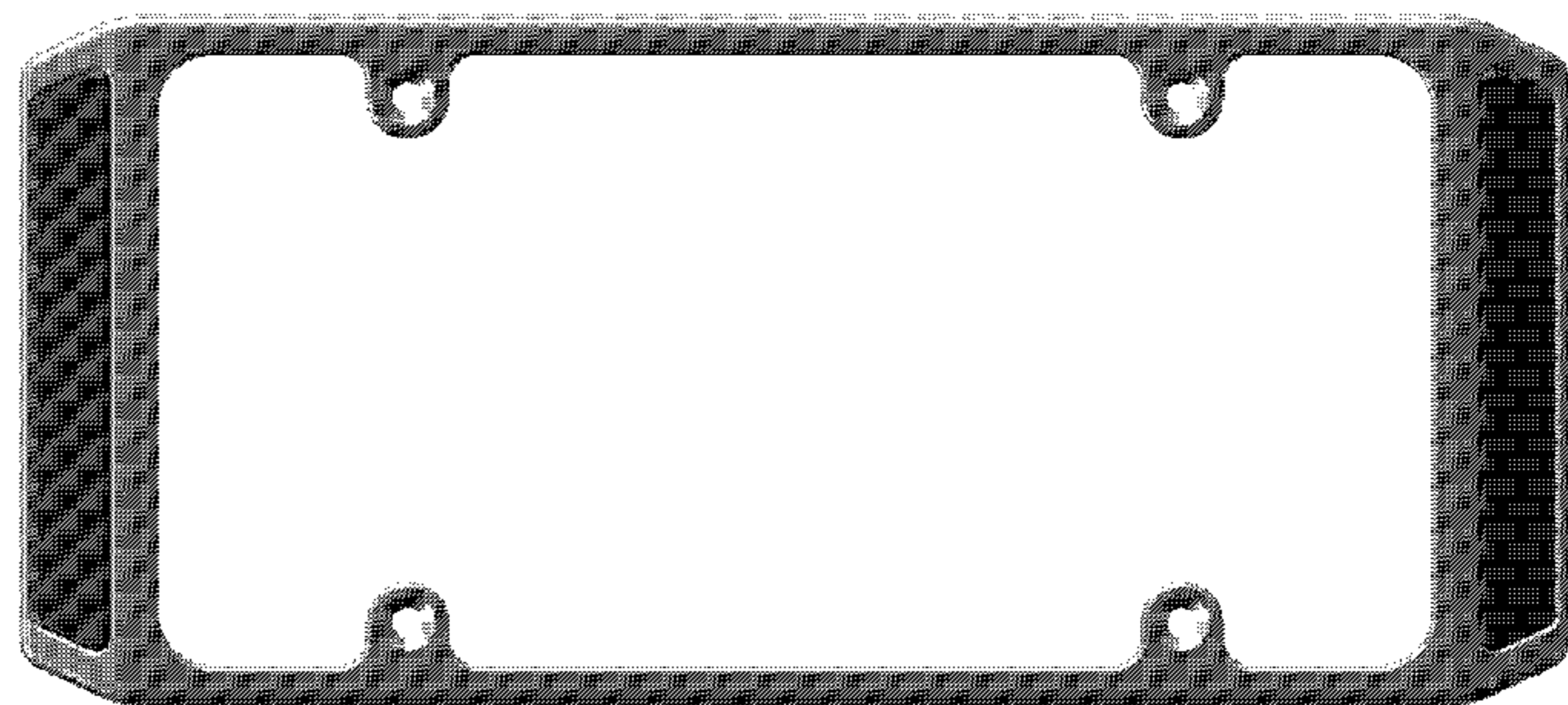
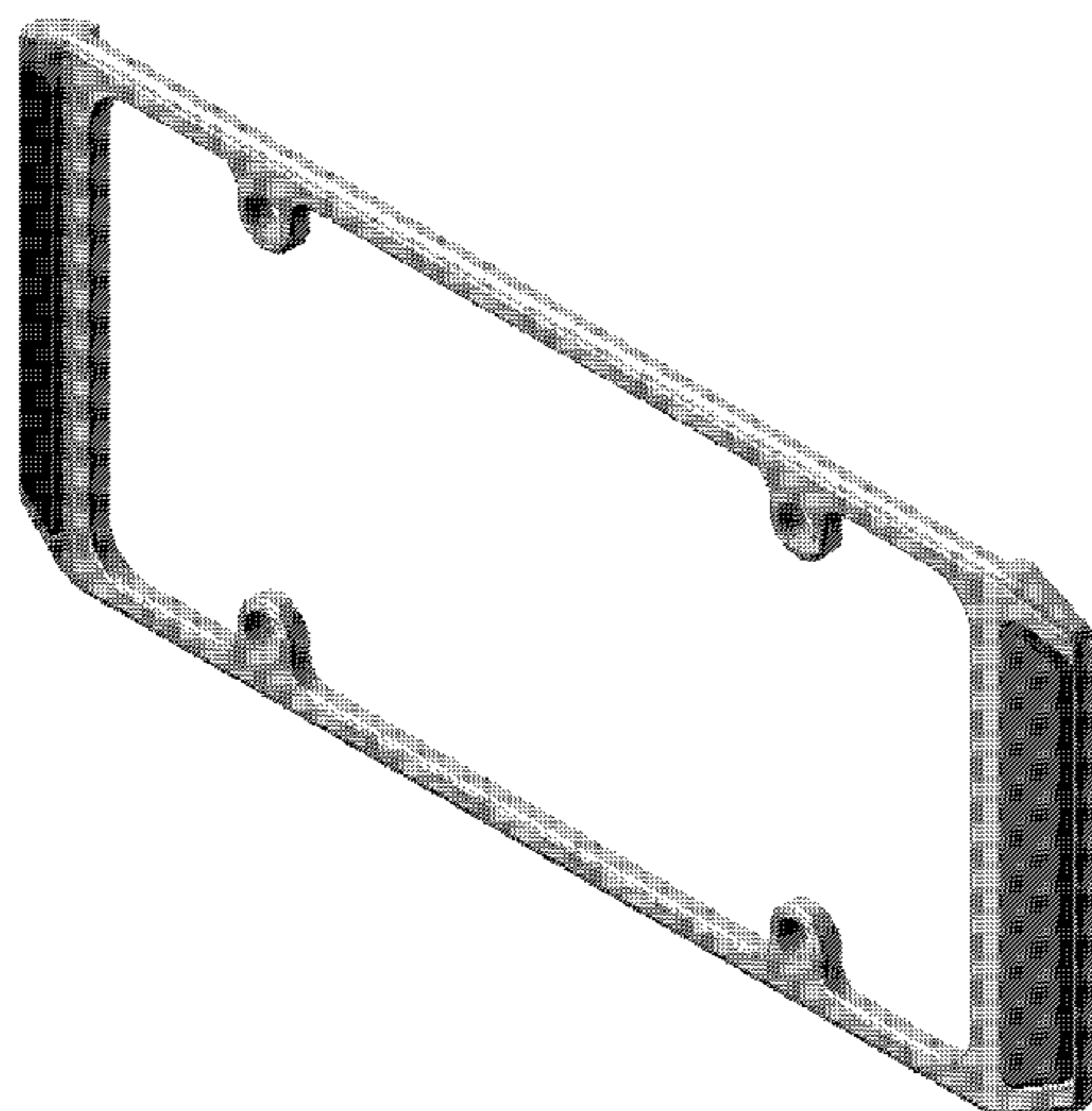
FIG. 2 is a front elevation view of the license plate frame with side light bars design shown in FIG. 1.

FIG. 3 is a top view of the license plate frame with side light bars design shown in FIG. 1, with the bottom view being a mirror image thereof.

FIG. 4 is a right side view of the license plate frame with side light bars design shown in FIG. 1, with the left side view being a mirror image thereof; and,

FIG. 5 is a rear view of the license plate frame with side light bars design shown in FIG. 1.

1 Claim, 4 Drawing Sheets



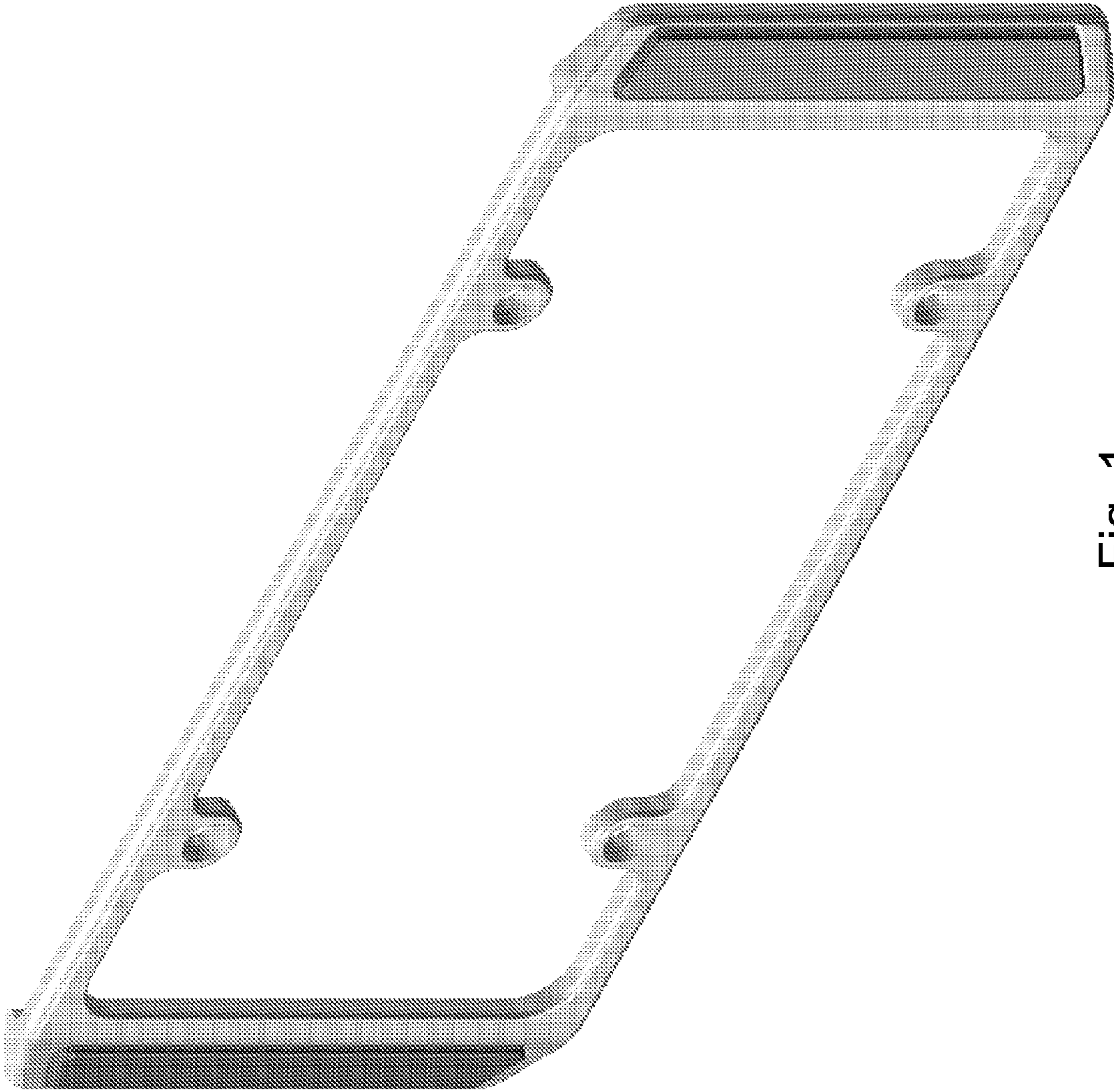


Fig. 1

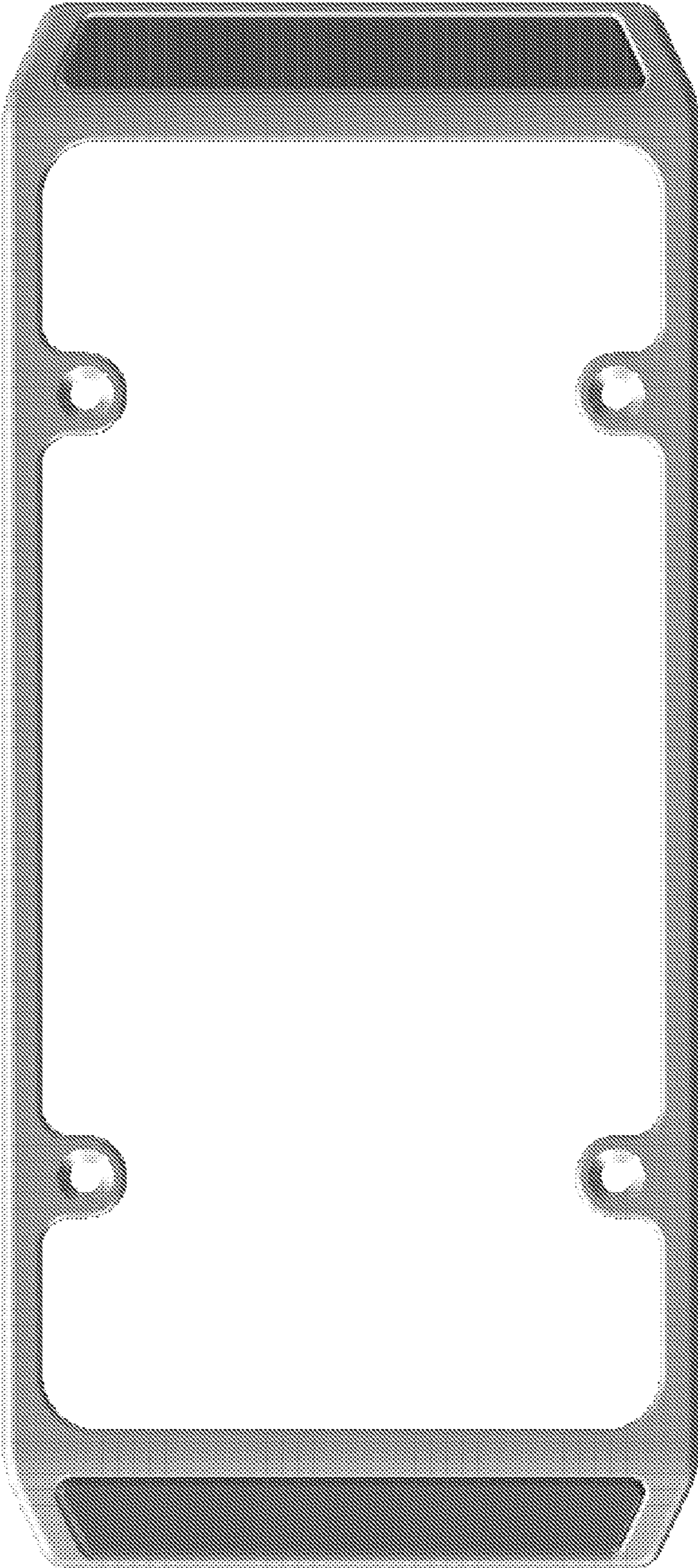


Fig. 2



Fig. 3



Fig. 4

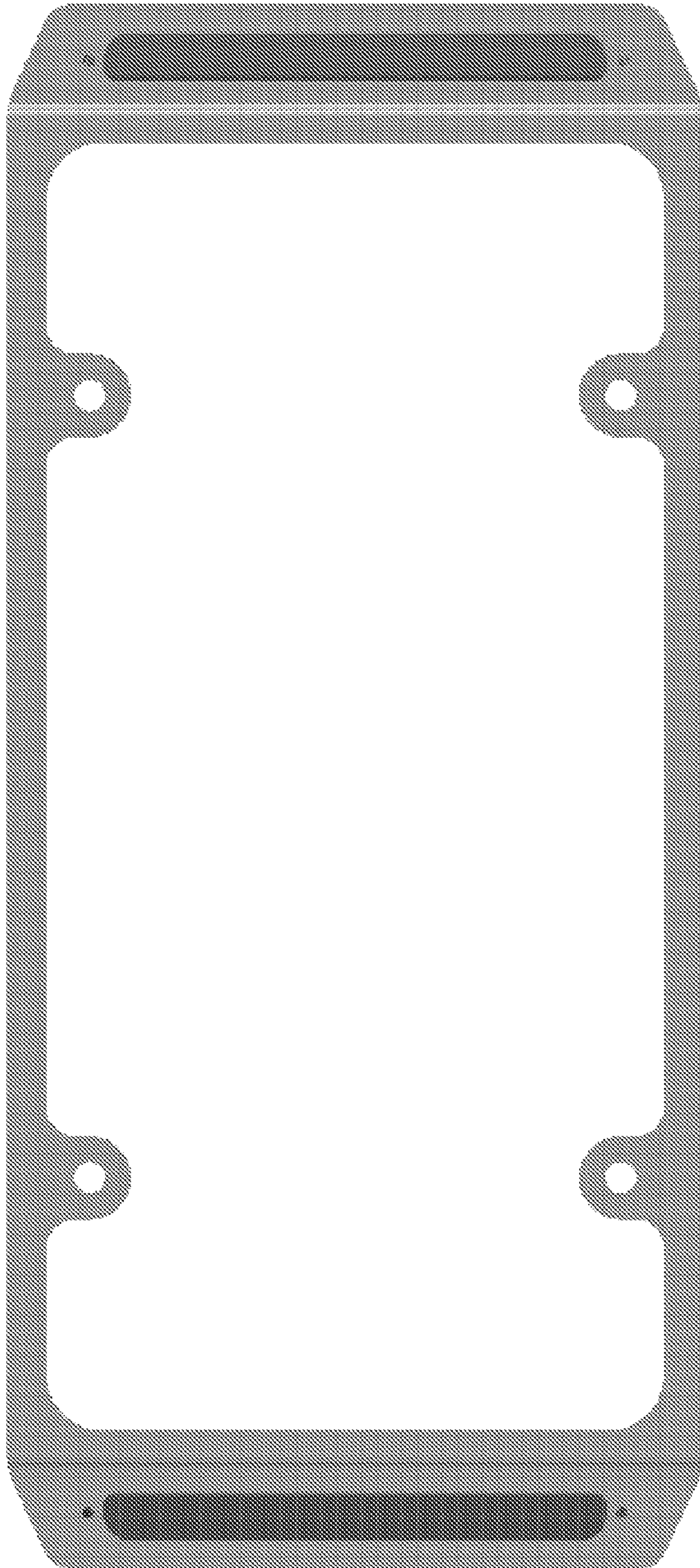


Fig. 5